



US00D831798S

(12) **United States Design Patent** (10) **Patent No.:** **US D831,798 S**
L'Henaff et al. (45) **Date of Patent:** **** Oct. 23, 2018**

(54) **SINK**
(71) Applicant: **AS IP Holdco, LLC**, Piscataway, NJ (US)
(72) Inventors: **Jean-Jacques L'Henaff**, New Canaan, CT (US); **Christophe Bucher**, Hillsborough, NJ (US); **Jacob Nitz**, Brooklyn, NY (US)
(73) Assignee: **AS IP HOLDCO, LLC**, Piscataway, NJ (US)
(**) Term: **15 Years**
(21) Appl. No.: **29/590,300**
(22) Filed: **Jan. 9, 2017**
(51) **LOC (11) Cl.** **23-02**
(52) **U.S. Cl.**
USPC **D23/293.1**
(58) **Field of Classification Search**
USPC D23/284-293.1, 303, 308; D6/329, 573, D6/657, 663-666, 671, 671.1, 671.4
CPC A47K 1/04; A47B 77/06; A47J 47/20
See application file for complete search history.

D721,426 S * 1/2015 Bartlett D23/290
D745,646 S 12/2015 Schonherr et al.
D745,649 S * 12/2015 LeTourneau D23/308
D745,951 S * 12/2015 Schonherr D23/284
D791,288 S * 7/2017 Schonherr D23/284

FOREIGN PATENT DOCUMENTS

EM 000815873-0002 10/2007
JP 1365999 8/2009

OTHER PUBLICATIONS

Preliminary Rejection for Japanese Patent Application No. 2017-14311.

* cited by examiner

Primary Examiner — Brandon M Rosati
Assistant Examiner — John A Voytek
(74) *Attorney, Agent, or Firm* — Morgan, Lewis & Bockius LLP

(57) **CLAIM**

The ornamental design for a sink, as shown and described.

DESCRIPTION

FIG. 1 is a front, top and right side perspective view of a sink showing the new design;
FIG. 2 is a front elevational view thereof;
FIG. 3 is a rear elevational view thereof;
FIG. 4 is a right side elevational view thereof;
FIG. 5 is a left side elevational view thereof;
FIG. 6 is a top plan view thereof; and,
FIG. 7 is a bottom plan view thereof.
The features shown in broken lines form no part of the claimed design.

1 Claim, 4 Drawing Sheets

(56) **References Cited**

U.S. PATENT DOCUMENTS

D422,347 S * 4/2000 Kawamura D23/292
D543,262 S * 5/2007 Dolan D23/292
D545,412 S * 6/2007 Lin D23/293.1
D545,417 S * 6/2007 Tani D23/293.1
D622,825 S * 8/2010 LeTourneau D23/284
D634,410 S * 3/2011 Palomba D23/284
D713,513 S * 9/2014 Chen D23/284

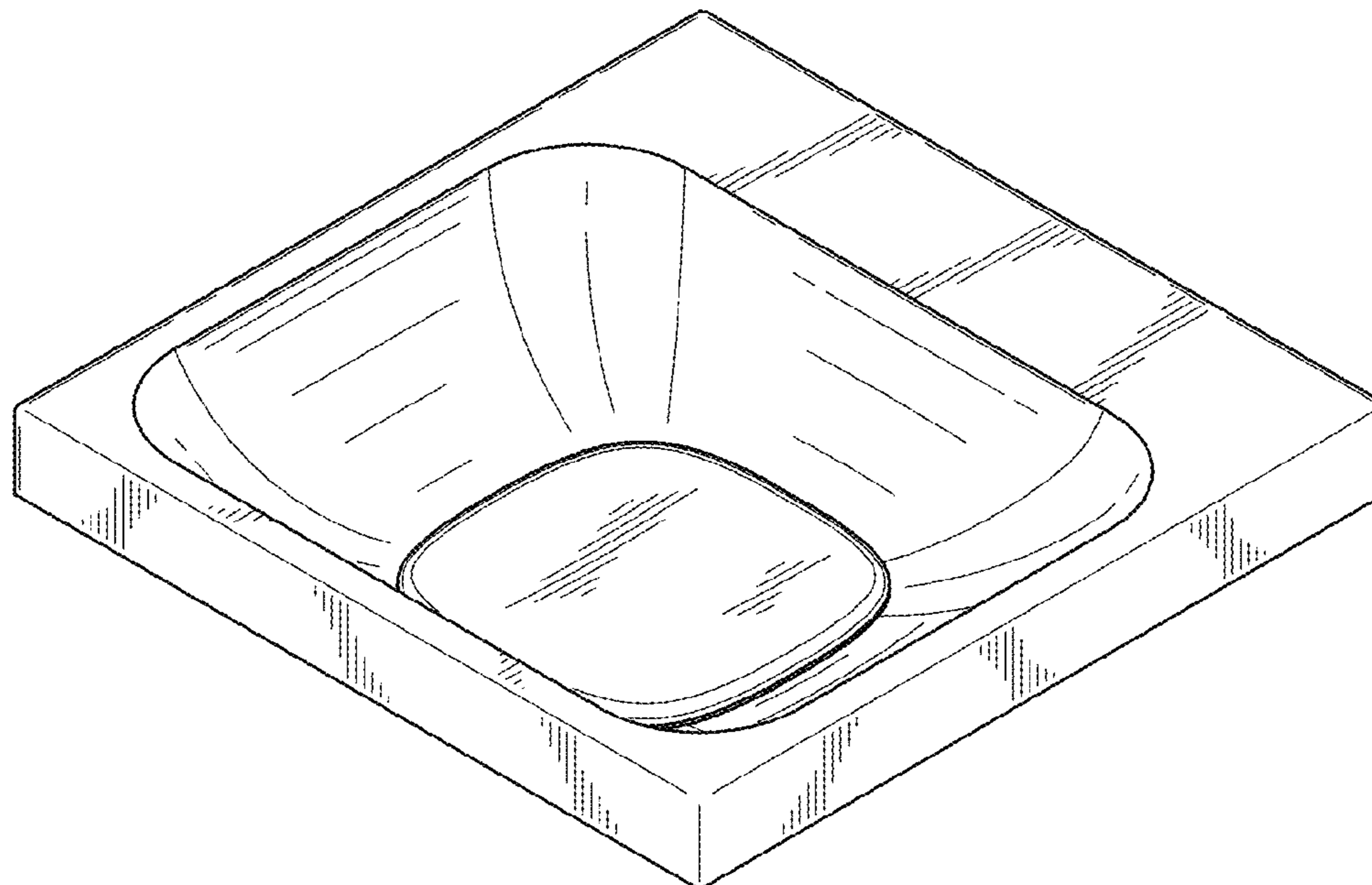


FIG. 1

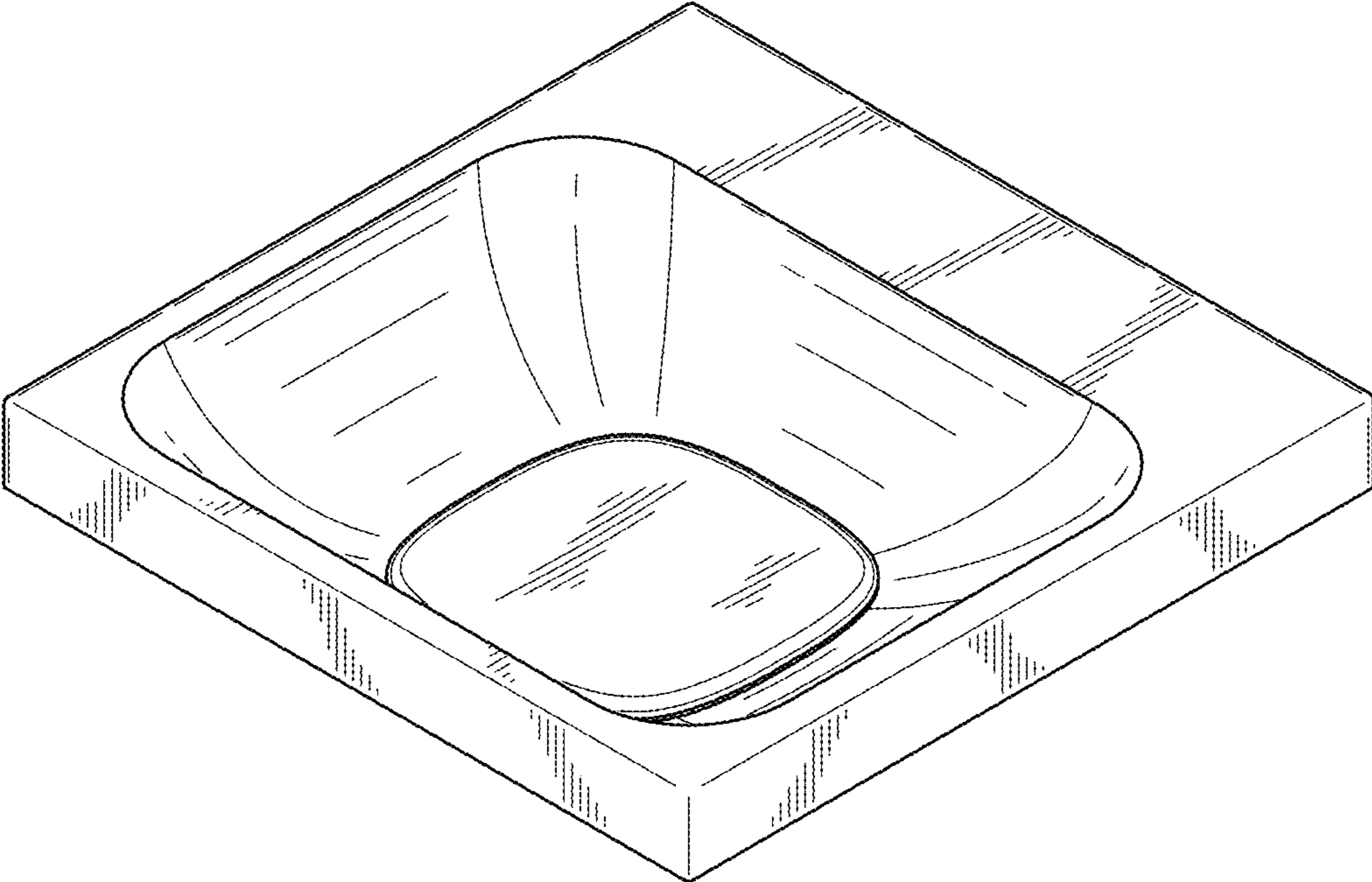


FIG. 2

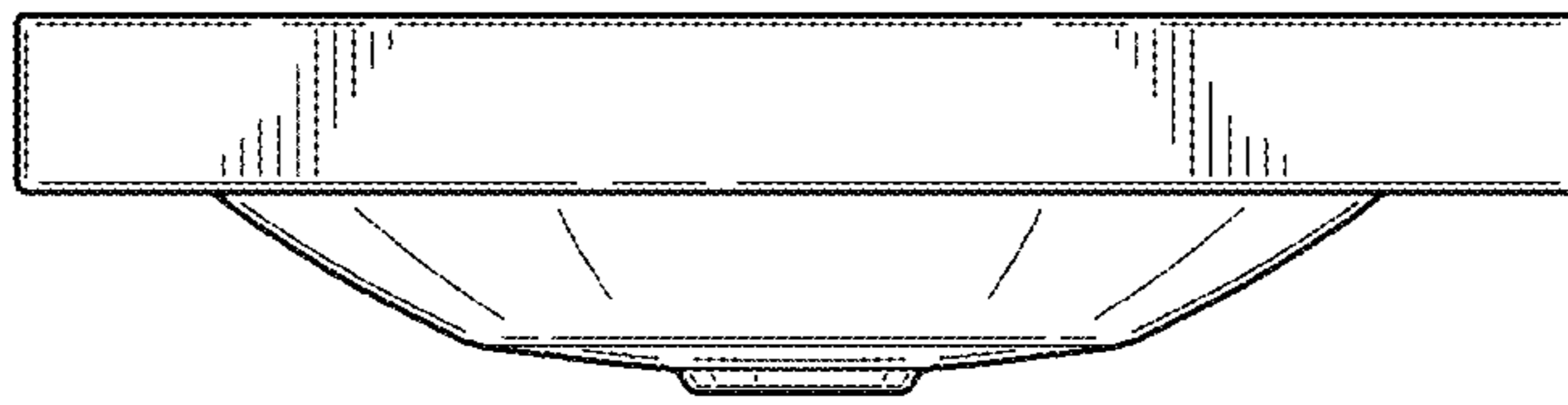


FIG. 3

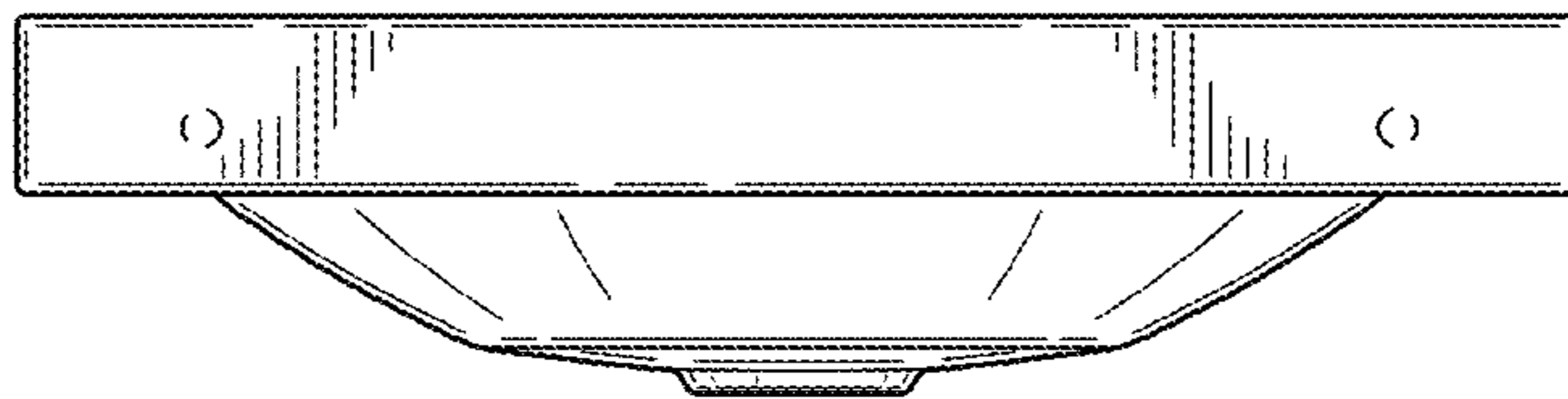


FIG. 4

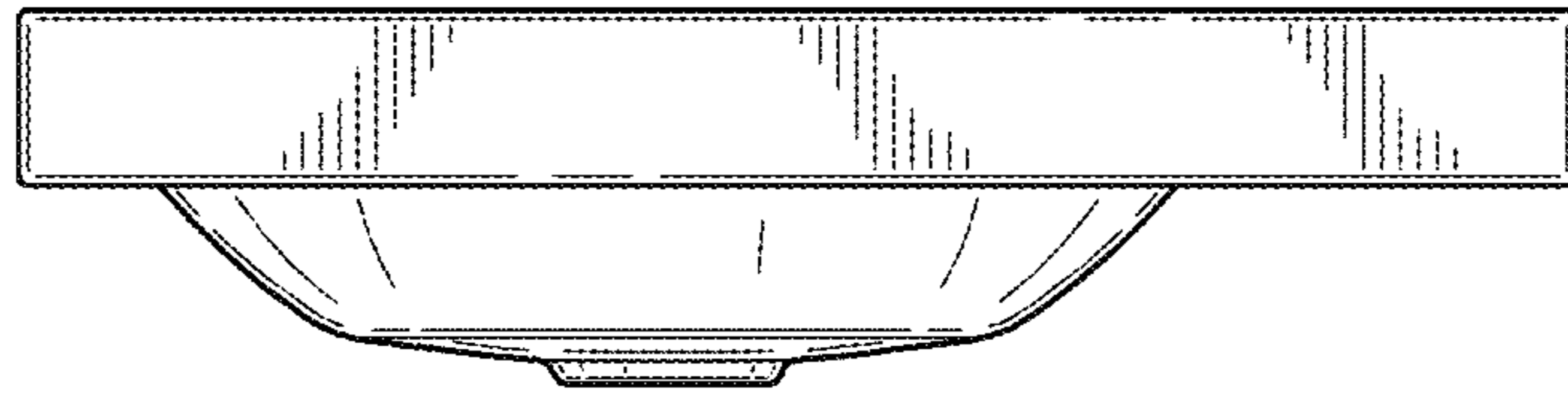
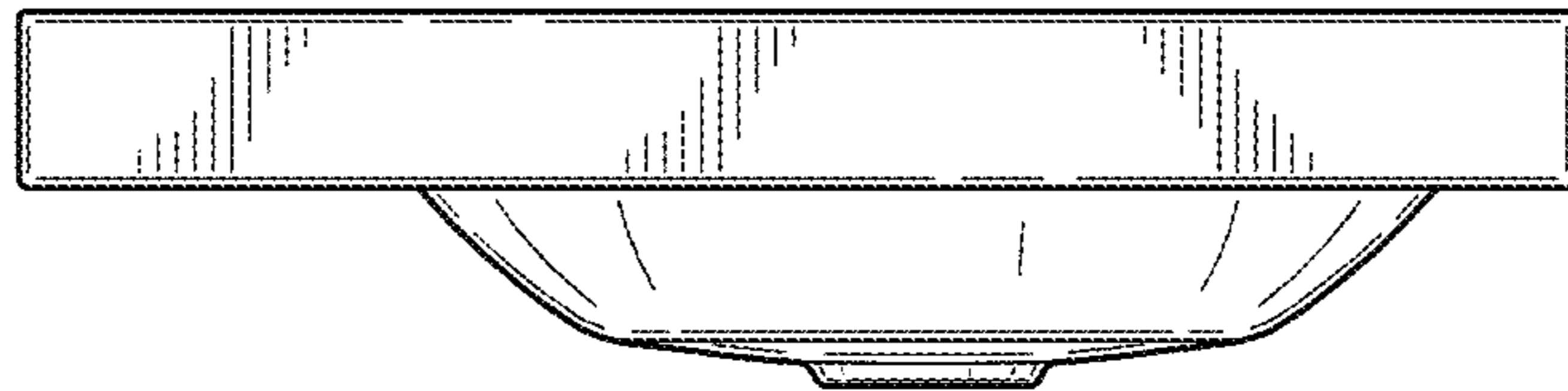


FIG. 5



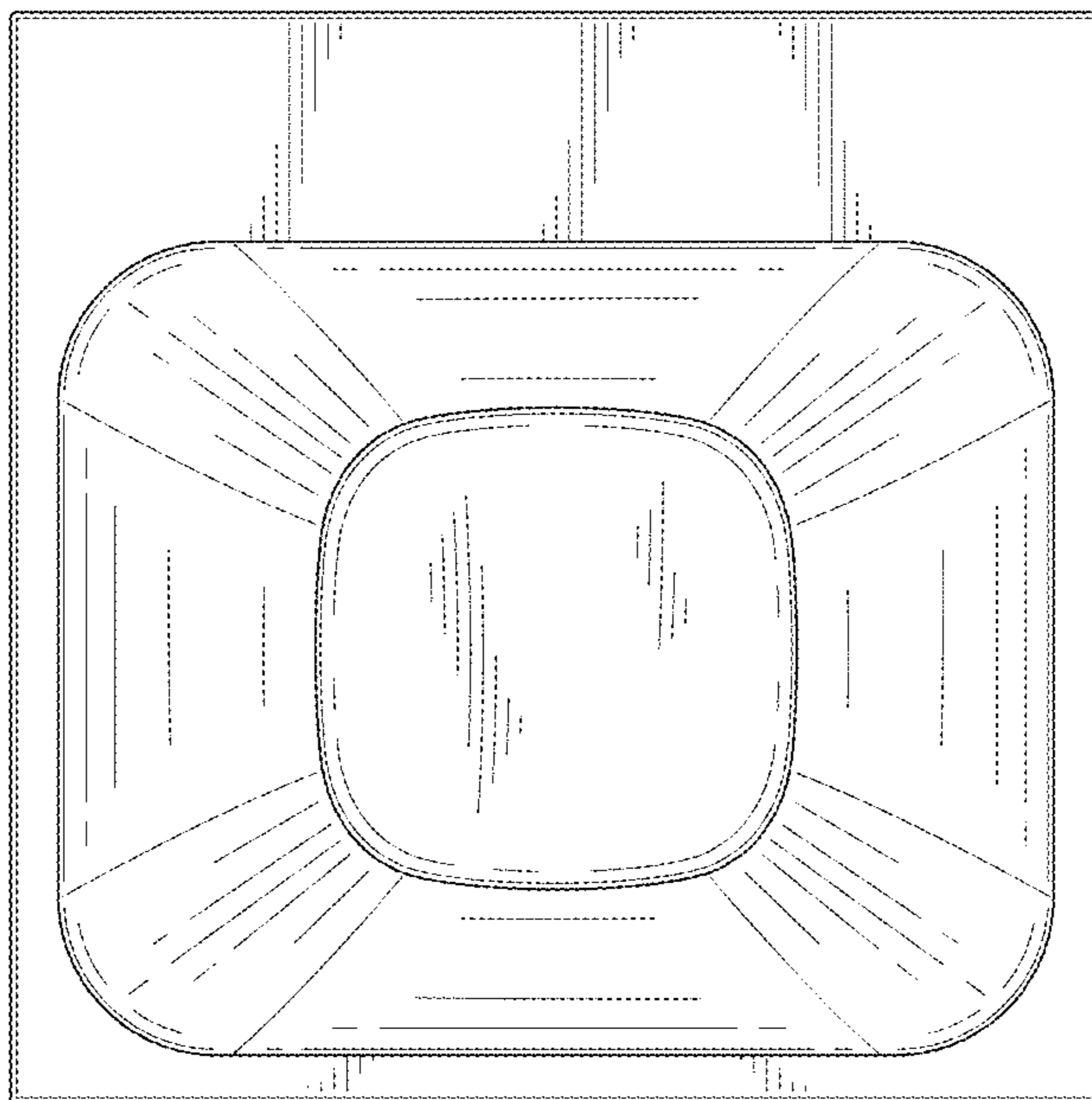


FIG. 6

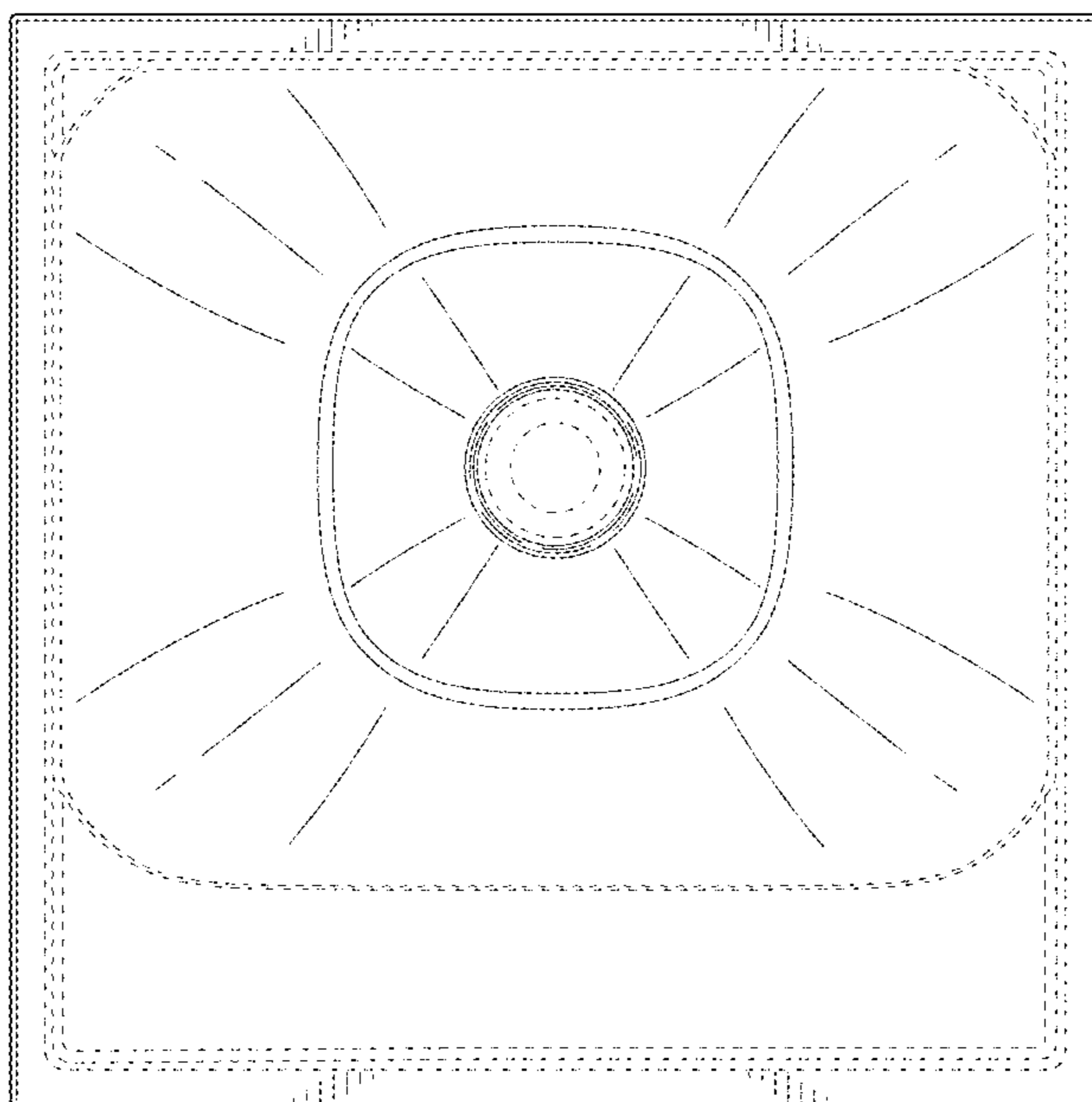


FIG. 7