



US00D831797S

(12) **United States Design Patent**  
**Lee et al.**

(10) **Patent No.:** **US D831,797 S**  
(45) **Date of Patent:** **\*\* Oct. 23, 2018**

(54) **CONNECTING DEVICE FOR PIPE**

(71) Applicant: **PPI PYUNGWHA CO., LTD.**,  
Hwaseong-si, Gyeonggi-Do (KR)

(72) Inventors: **Jong-Ho Lee**, Seongnam-Si (KR);  
**Hye-Jung Lee**, Seongnam-Si (KR);  
**Jong-Tae Lee**, Seoul (KR); **Il-Haeng Lee**, Pocheon-si (KR)

(73) Assignee: **PPI PYUNGWHA CO., LTD.**,  
Hwaseong-si (KR)

(\*\*) Term: **15 Years**

(21) Appl. No.: **29/622,021**

(22) Filed: **Oct. 13, 2017**

(30) **Foreign Application Priority Data**

Aug. 17, 2017 (KR) ..... 30-2017-0038143

(51) **LOC (11) Cl.** ..... **23-01**

(52) **U.S. Cl.**  
USPC ..... **D23/263**

(58) **Field of Classification Search**  
USPC ..... D23/259, 262–263, 265, 264, 268;  
D8/394, 396; 285/179, 179.1, 180–181,  
285/183–185  
CPC ..... F16L 43/001; F16L 43/002; F16L 43/008;  
F16L 21/005; F16L 21/06; F16L 213/08;  
F16L 21/04

See application file for complete search history.

(56) **References Cited**

U.S. PATENT DOCUMENTS

D229,410 S \* 11/1973 Luckenbill ..... D23/263  
D291,481 S \* 8/1987 Vassallo ..... D23/263  
6,450,551 B1 \* 9/2002 Lee ..... F16L 17/04  
285/373  
D482,103 S \* 11/2003 Snyder, Sr. .... D23/263

D523,123 S \* 6/2006 Wilk, Jr. .... D23/262  
D615,631 S \* 5/2010 Price ..... D23/263  
D676,941 S \* 2/2013 Kluss ..... D23/262  
D733,266 S \* 6/2015 Bednarz ..... D23/263  
D739,508 S \* 9/2015 Menno ..... D23/263  
D739,509 S \* 9/2015 Bazemore ..... D23/263  
D767,105 S \* 9/2016 Richards ..... D23/263  
2013/0200609 A1 \* 8/2013 Dole ..... F16L 17/04  
285/132.1  
2015/0021911 A1 \* 1/2015 Bowman ..... F16L 21/005  
285/340

\* cited by examiner

*Primary Examiner* — Eric L Goodman

*Assistant Examiner* — Amy C Wierenga

(74) *Attorney, Agent, or Firm* — Sughrue Mion, PLLC

(57) **CLAIM**

The ornamental design of a connecting device for pipe, as shown and described.

**DESCRIPTION**

FIG. 1 is a front perspective view of the connecting device for pipe showing our new design;  
FIG. 2 is a front view thereof;  
FIG. 3 is a rear view thereof;  
FIG. 4 is a left-side view thereof;  
FIG. 5 is a right-side view thereof;  
FIG. 6 is a top plan view thereof;  
FIG. 7 is a bottom plan view thereof;  
FIG. 8 is a rear perspective view thereof;  
FIG. 9 is a bottom-rear perspective view thereof; and,  
FIG. 10 is a cross-sectional view taken through line 10-10 shown in FIG. 2.

The connective device for which the design of shape and configuration is claimed is a device which fastens or fixes two pipes.

**1 Claim, 6 Drawing Sheets**

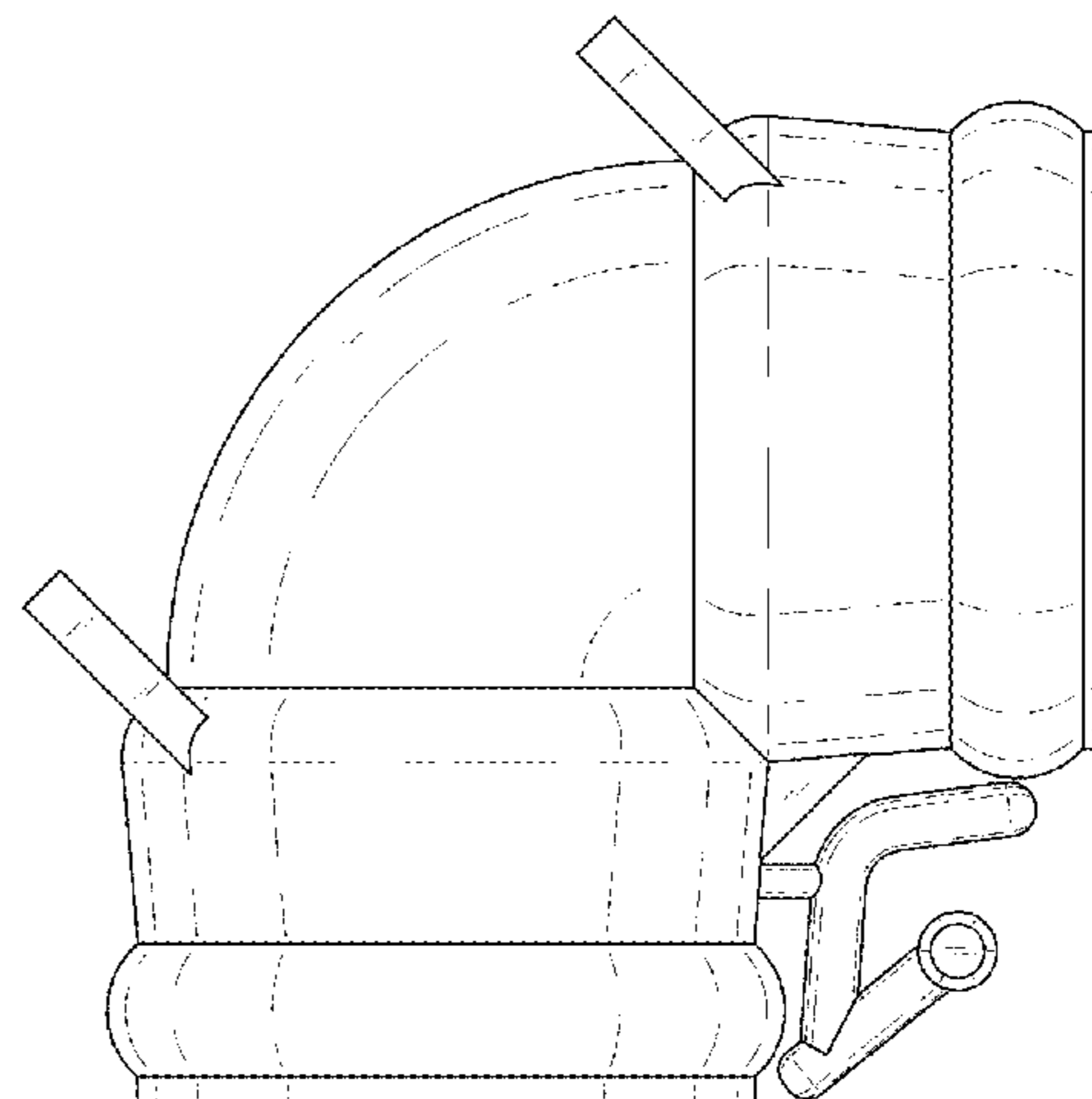
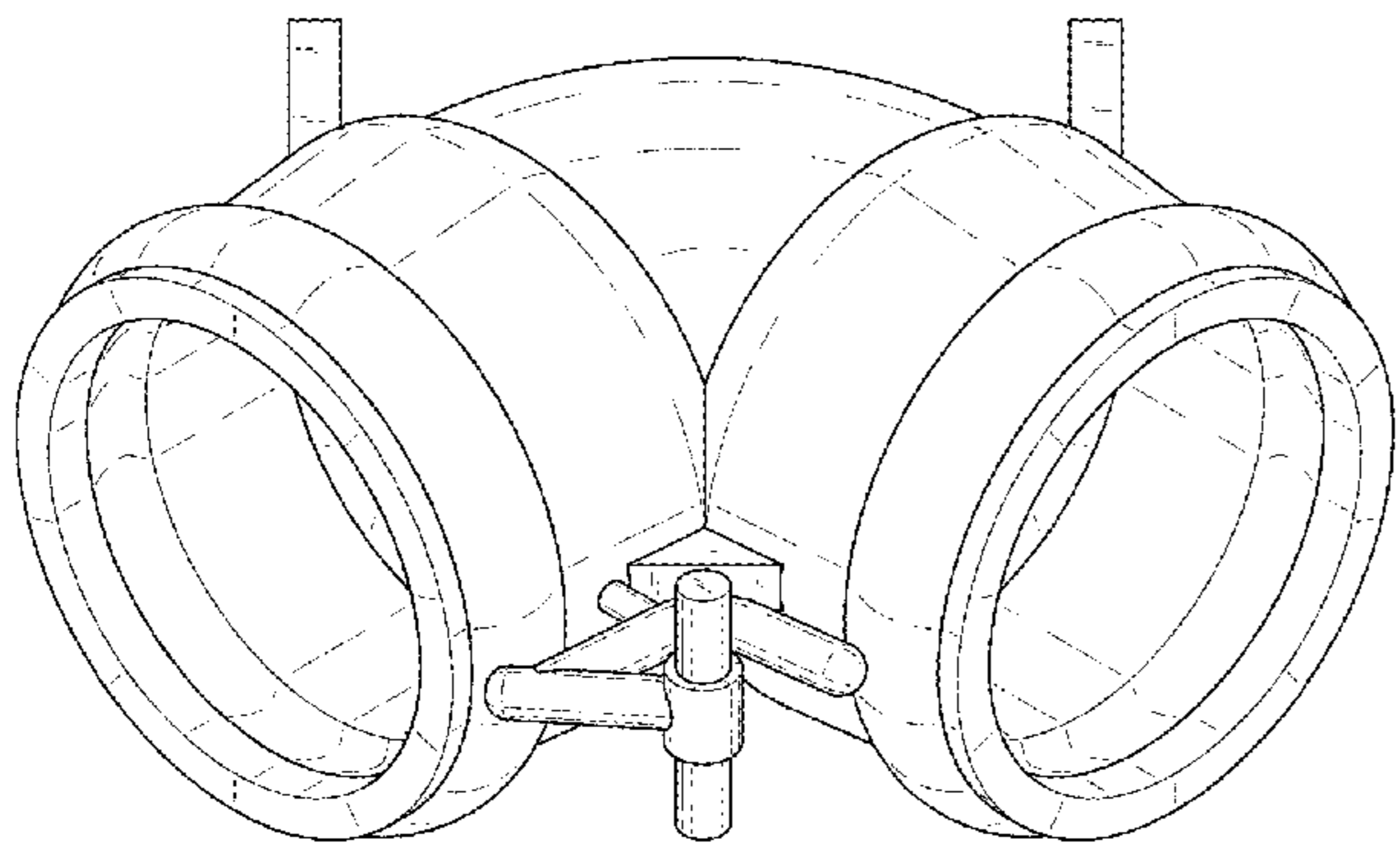


FIG. 1

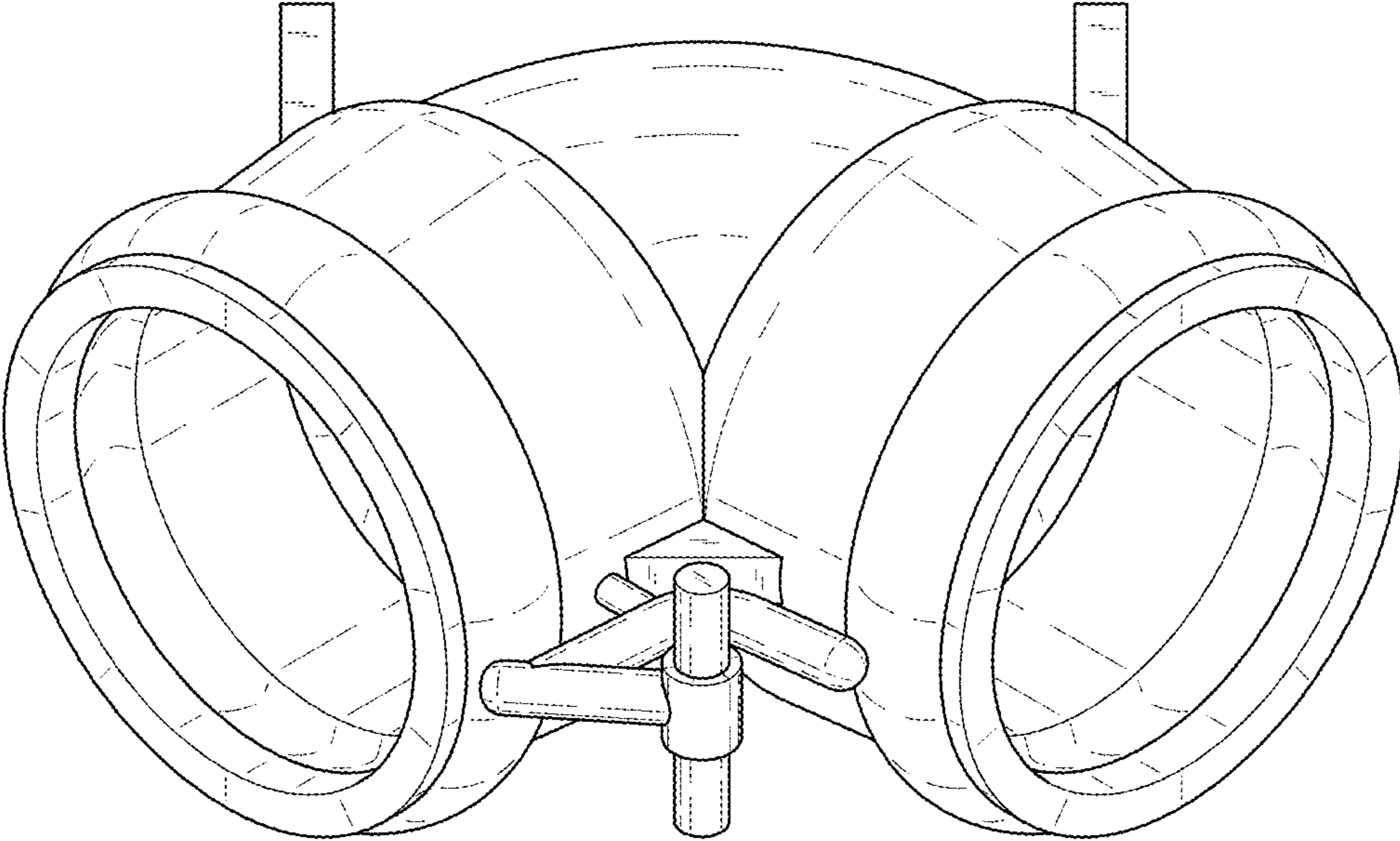


FIG. 2

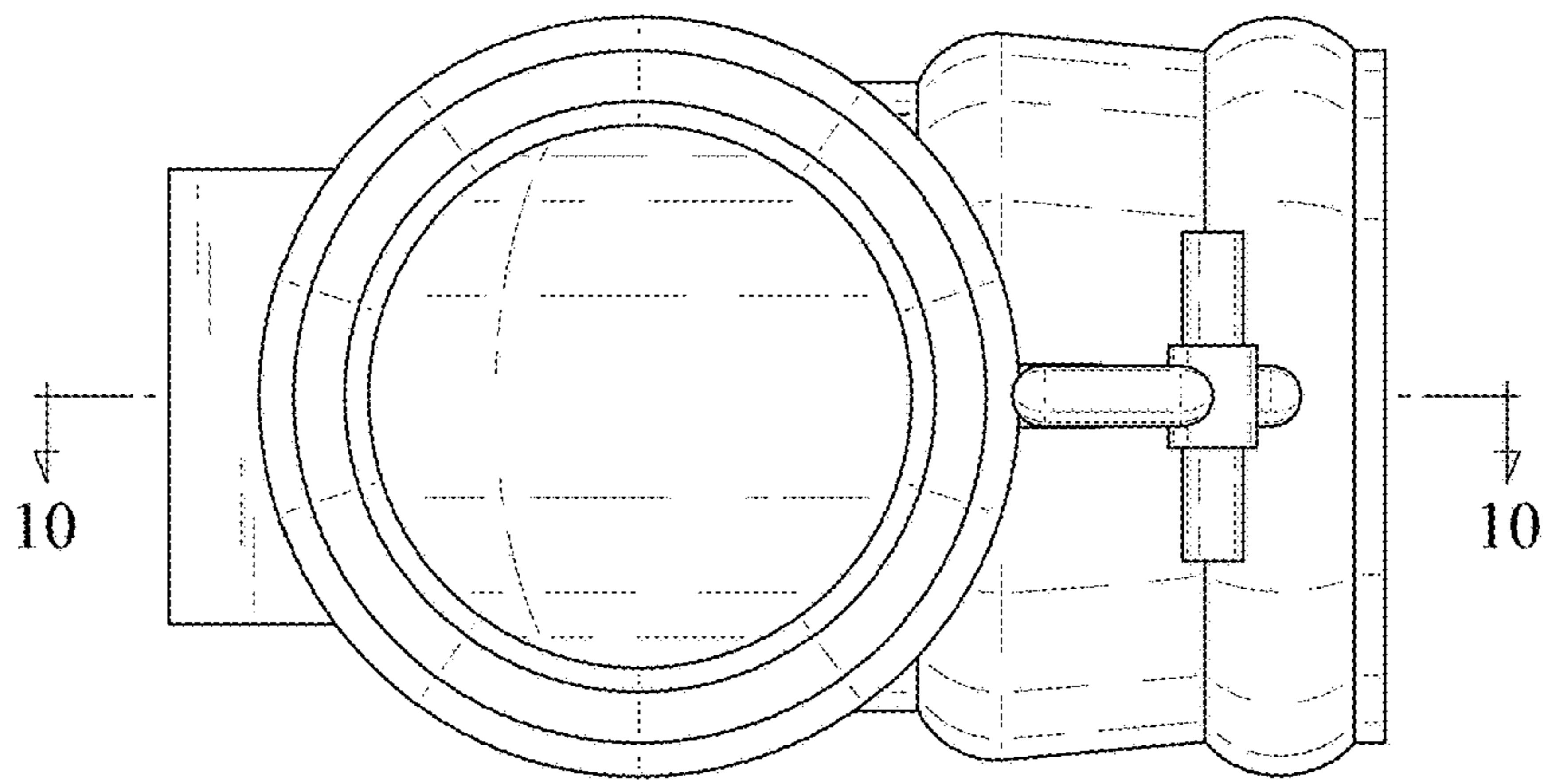


FIG. 3

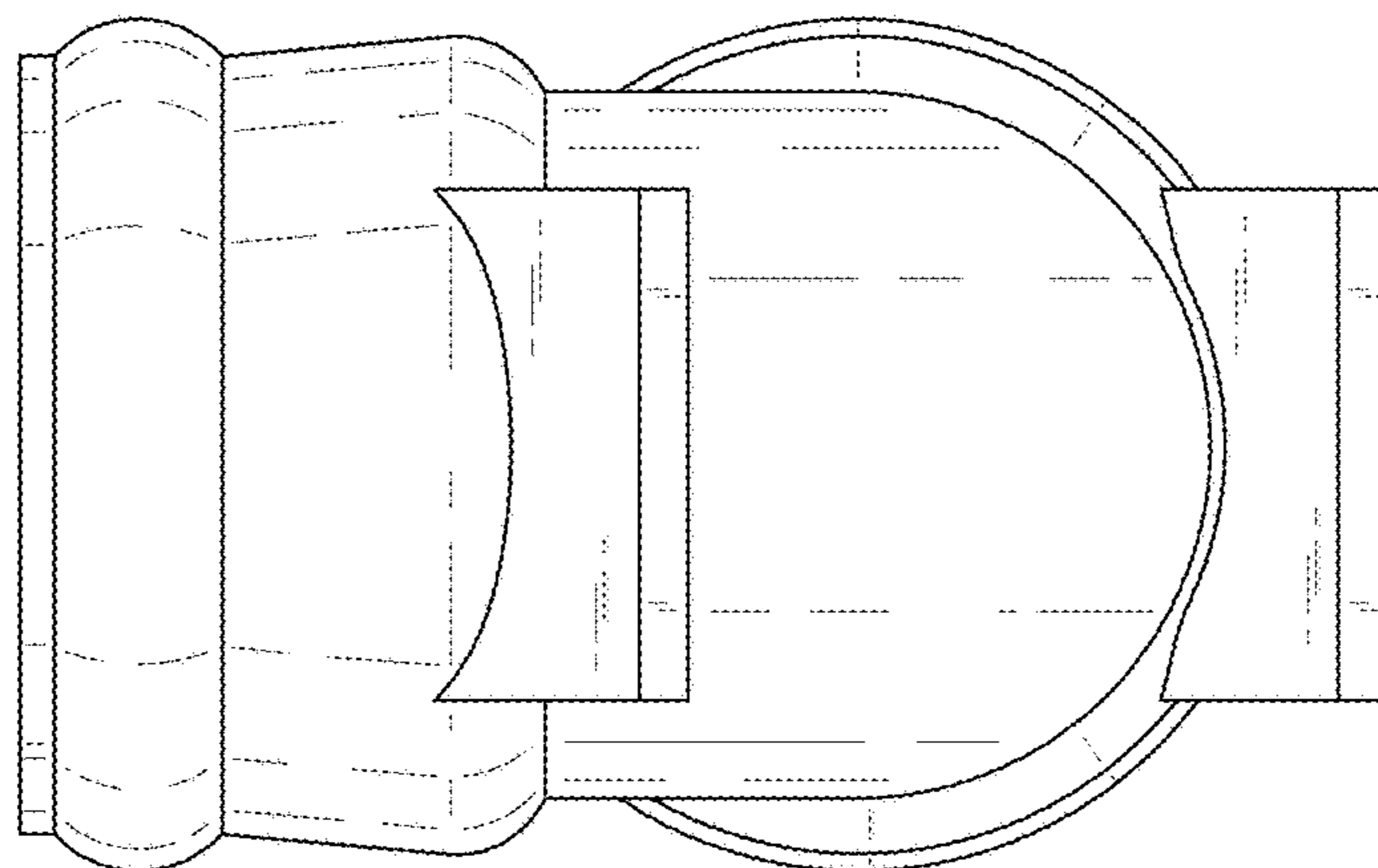


FIG. 4

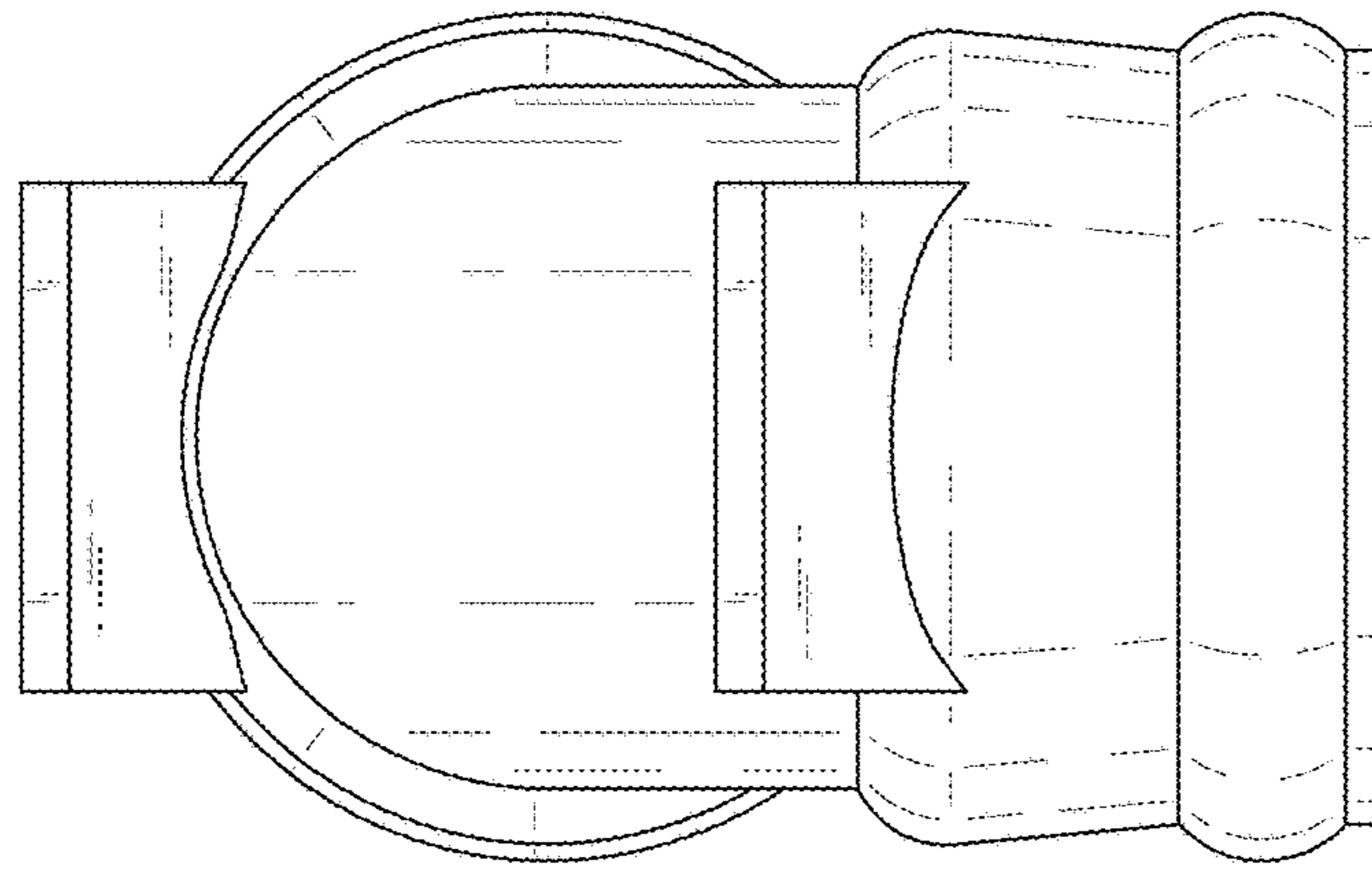


FIG. 5

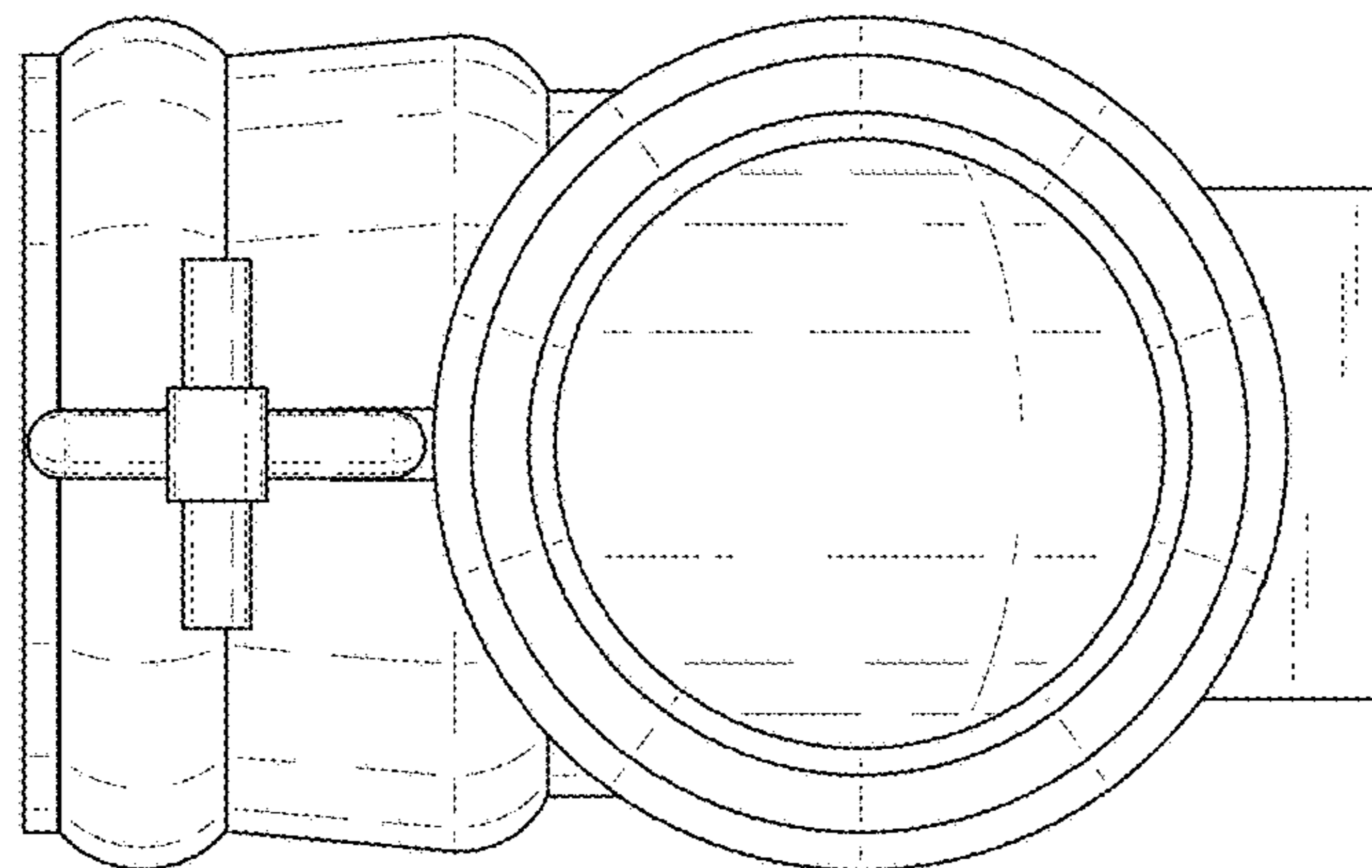


FIG. 6

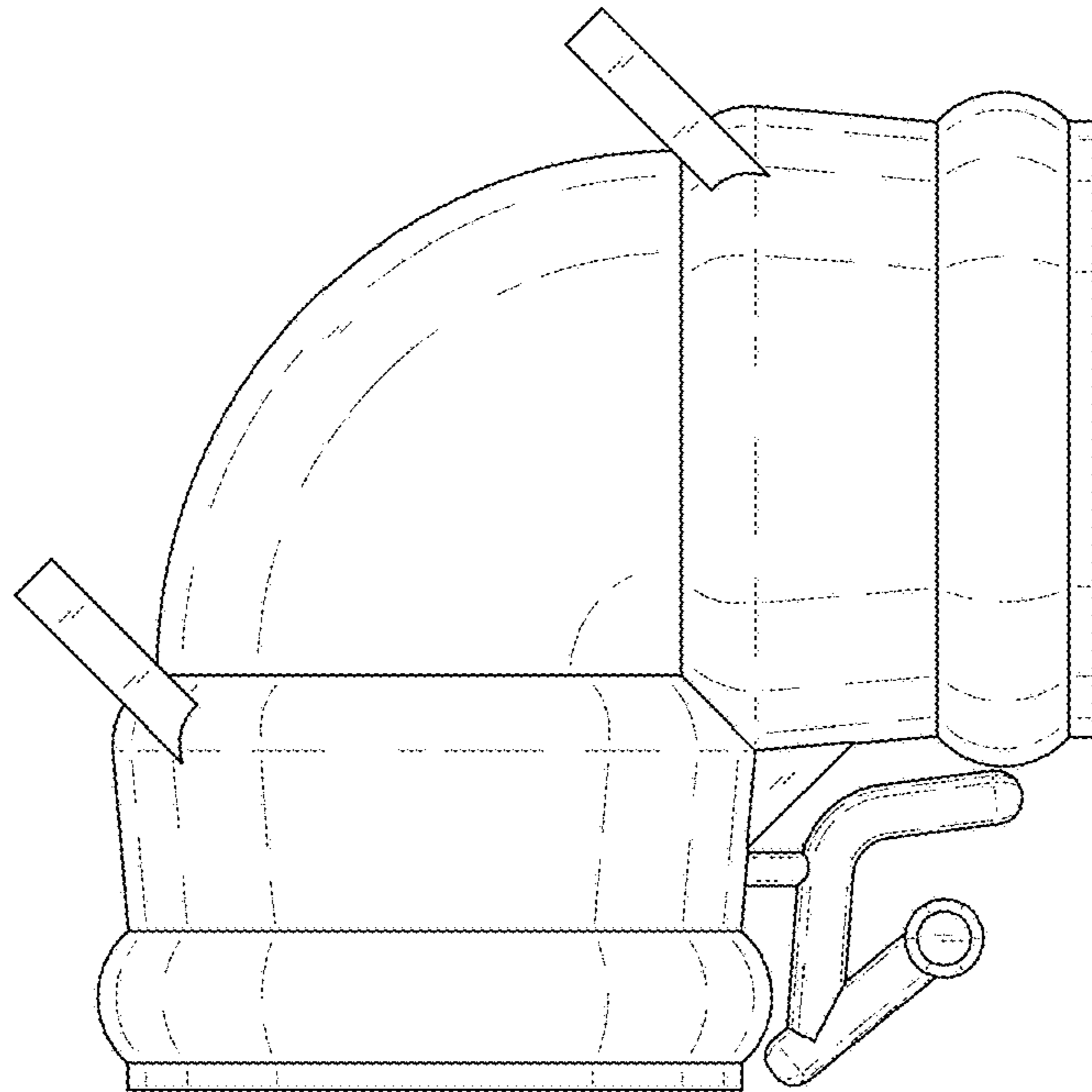


FIG. 7

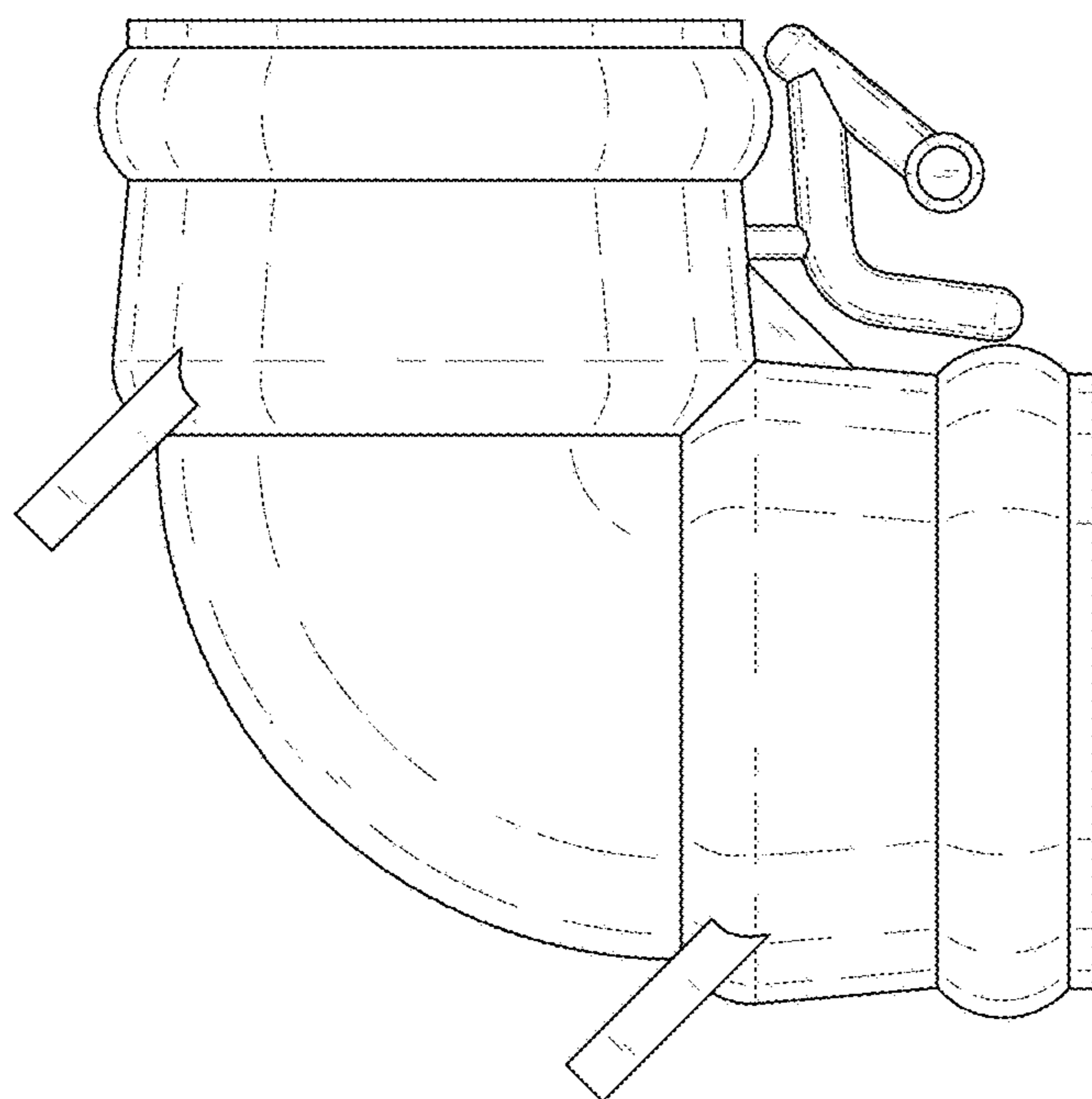


FIG. 8

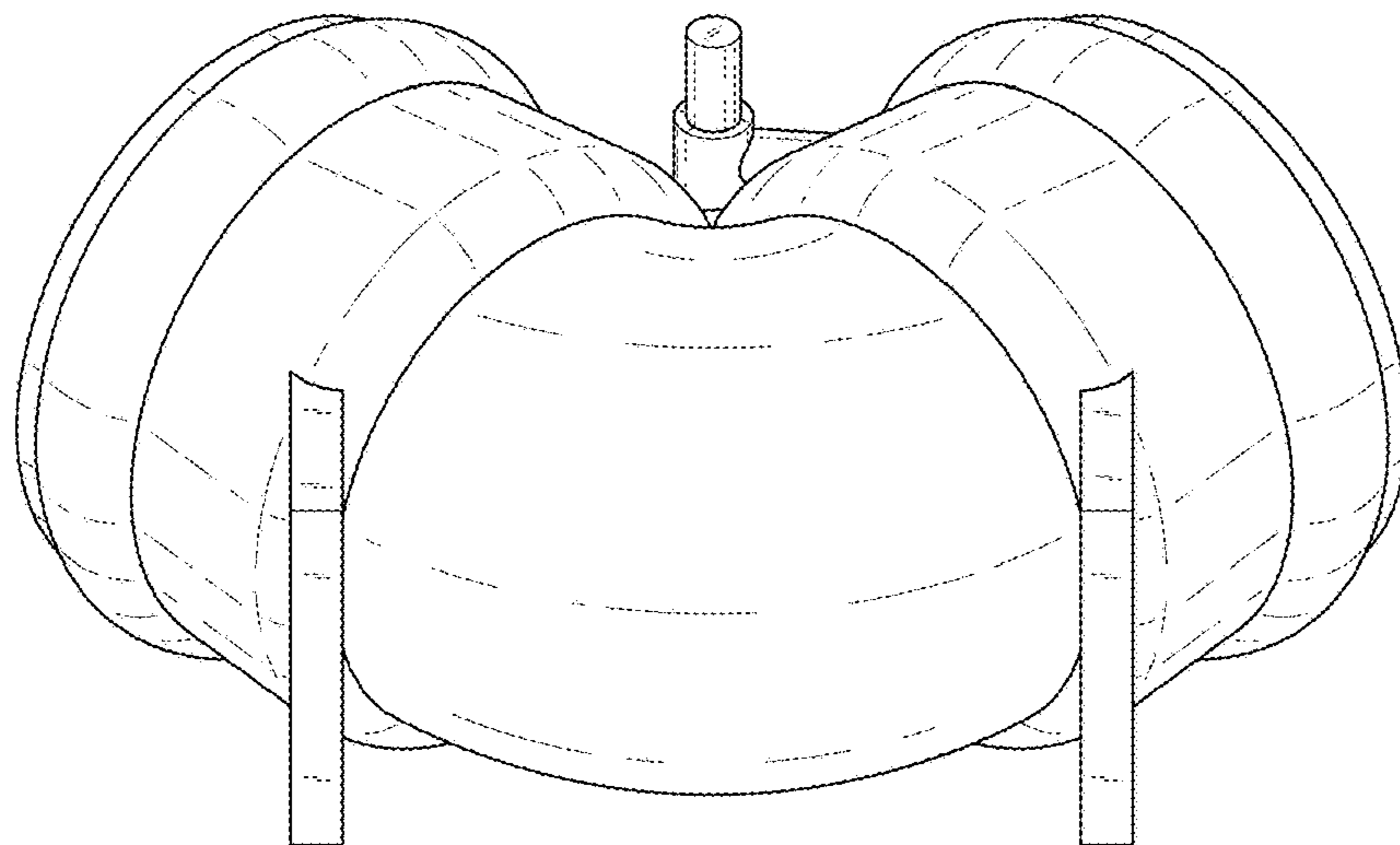


FIG. 9

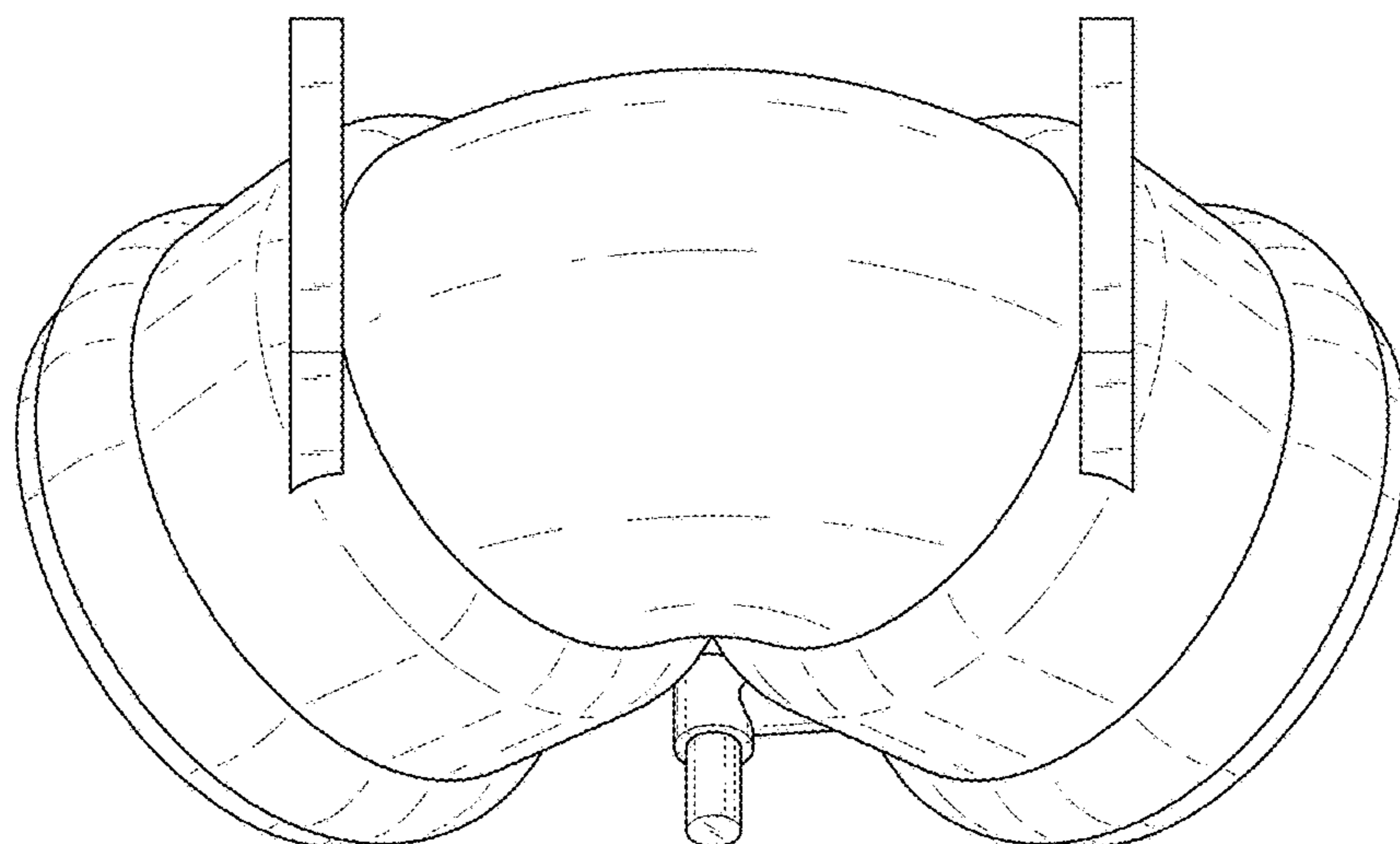


FIG. 10

