



US00D831795S

(12) **United States Design Patent**
Schluter

(10) **Patent No.:** **US D831,795 S**
(45) **Date of Patent:** **** Oct. 23, 2018**

(54) **DRAIN GATE**
(71) Applicant: **Schluter Systems L.P.**, Plattsburgh, NY (US)
(72) Inventor: **Werner Schluter**, Plattsburgh, NY (US)
(73) Assignee: **Schluter Systems L.P.**, Plattsburgh, NY (US)
(**) Term: **15 Years**

3,406,829 A * 10/1968 Vande Bosche E03F 5/0407
210/164
D274,210 S 6/1984 Haggard
D282,003 S 12/1985 Wermuth
4,592,165 A 6/1986 Sisk
D285,406 S 9/1986 Haggard
D291,049 S 7/1987 Haggard
5,130,016 A 7/1992 Gavin
D428,120 S * 7/2000 Zaldivar D23/261
D492,425 S 6/2004 Johnson
D562,995 S * 2/2008 Diamond D25/155
D575,881 S 8/2008 Diamond

(Continued)

(21) Appl. No.: **29/610,011**

(22) Filed: **Jul. 7, 2017**

(51) **LOC (11) Cl.** **23-01**

(52) **U.S. Cl.**
USPC **D23/261**

(58) **Field of Classification Search**
USPC D23/259–261, 267–268, 388, 397, 400,
D23/406; 404/2–4; 210/163–164, 166;
454/275–277, 284, 289, 291; 4/613, 287,
4/679, 680–684, 689–694, 671–673
CPC E03C 1/12; E03C 1/20; E03C 1/23; E03C
1/26; E03C 1/262; E03C 1/284; E03C
1/2302; E03C 1/2306; E03C 1/2001;
E03C 1/2413; E03C 2001/2413; E03F
5/0408; E03F 5/06; E03F 5/00407; E03F
5/052; A47K 1/14; A47K 3/405; A47K
3/40

See application file for complete search history.

(56) **References Cited**

U.S. PATENT DOCUMENTS

530,816 A * 12/1894 Wright E02D 29/12
210/247
882,877 A * 3/1908 Durkee B63B 19/14
114/174
3,032,062 A * 5/1962 Blahnik E03D 11/00
137/593
3,221,616 A * 12/1965 Flegel E03F 5/046
49/464

OTHER PUBLICATIONS

Kerdi-Drain-Style & Kerdi-Line-Style, https://www.schluter.com/schluter-us/en_US/kerdi-drain-line-style, Copyright 2017, [Visited Online Jun. 11, 2018].*

(Continued)

Primary Examiner — Eric L Goodman
Assistant Examiner — Amy C Wierenga
(74) *Attorney, Agent, or Firm* — Thorpe North Western, LLP

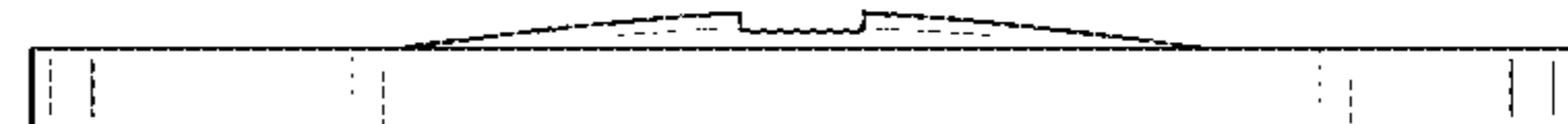
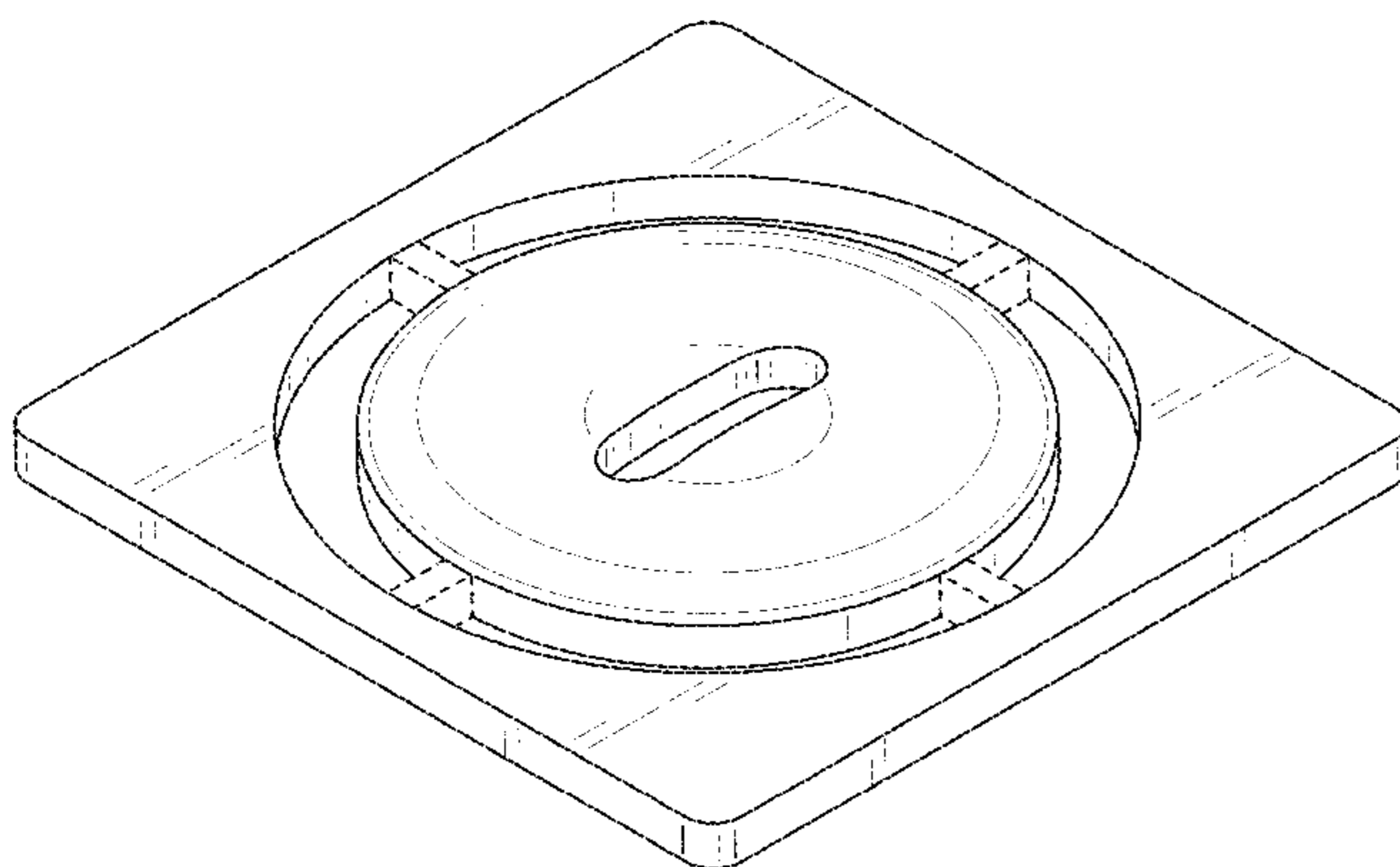
(57) **CLAIM**

The ornamental design for a drain grate, as shown and described.

DESCRIPTION

FIG. 1 is a perspective view of a drain grate embodying my new design;
FIG. 2 is a top view thereof;
FIG. 3 is a side view thereof, the opposing side view being a mirror image thereof; and,
FIG. 4 is a side view thereof, the opposing side view being a mirror image thereof.
The broken lines shown in the figures depict portions of the drain grate that form no part of the claim.

1 Claim, 3 Drawing Sheets



(56)

References Cited

U.S. PATENT DOCUMENTS

D602,575 S * 10/2009 Breda D23/261
8,060,956 B2 * 11/2011 DeGooyer E03C 1/20
4/613
D672,439 S 12/2012 Heiser et al.
D687,526 S 8/2013 Heiser
D689,989 S 9/2013 Vessels et al.
D689,990 S 9/2013 Vessels et al.
D689,991 S 9/2013 Vessels et al.
D689,992 S 9/2013 Vessels et al.
D694,863 S 12/2013 Brodey et al.
D701,293 S 3/2014 Mjelde
D708,304 S 7/2014 Brodey et al.
D718,844 S 12/2014 Johansen
D736,354 S 8/2015 Lucas
D775,320 S 12/2016 Lucas
2008/0271232 A1 11/2008 Self

OTHER PUBLICATIONS

TileLetter, Sleek New Schluter Shower Grates Enhance Bathroom Design, <http://tileletter.com/2018/01/sleek-new-schluter-shower-grates-enhance-bathroom-design/> Published Jan. 17, 2018, [Visited Online Jun. 20, 2018].*

* cited by examiner

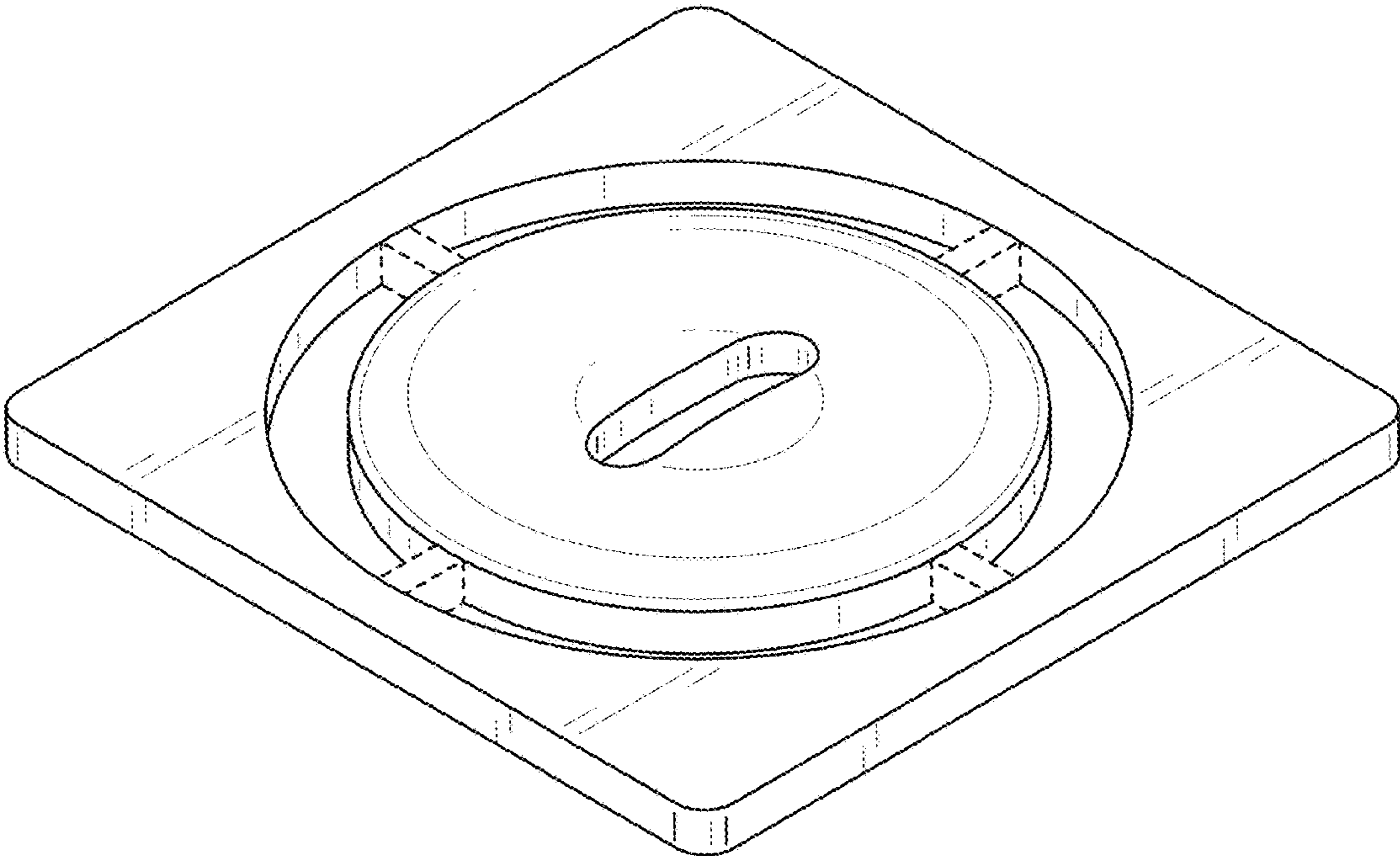


FIG. 1

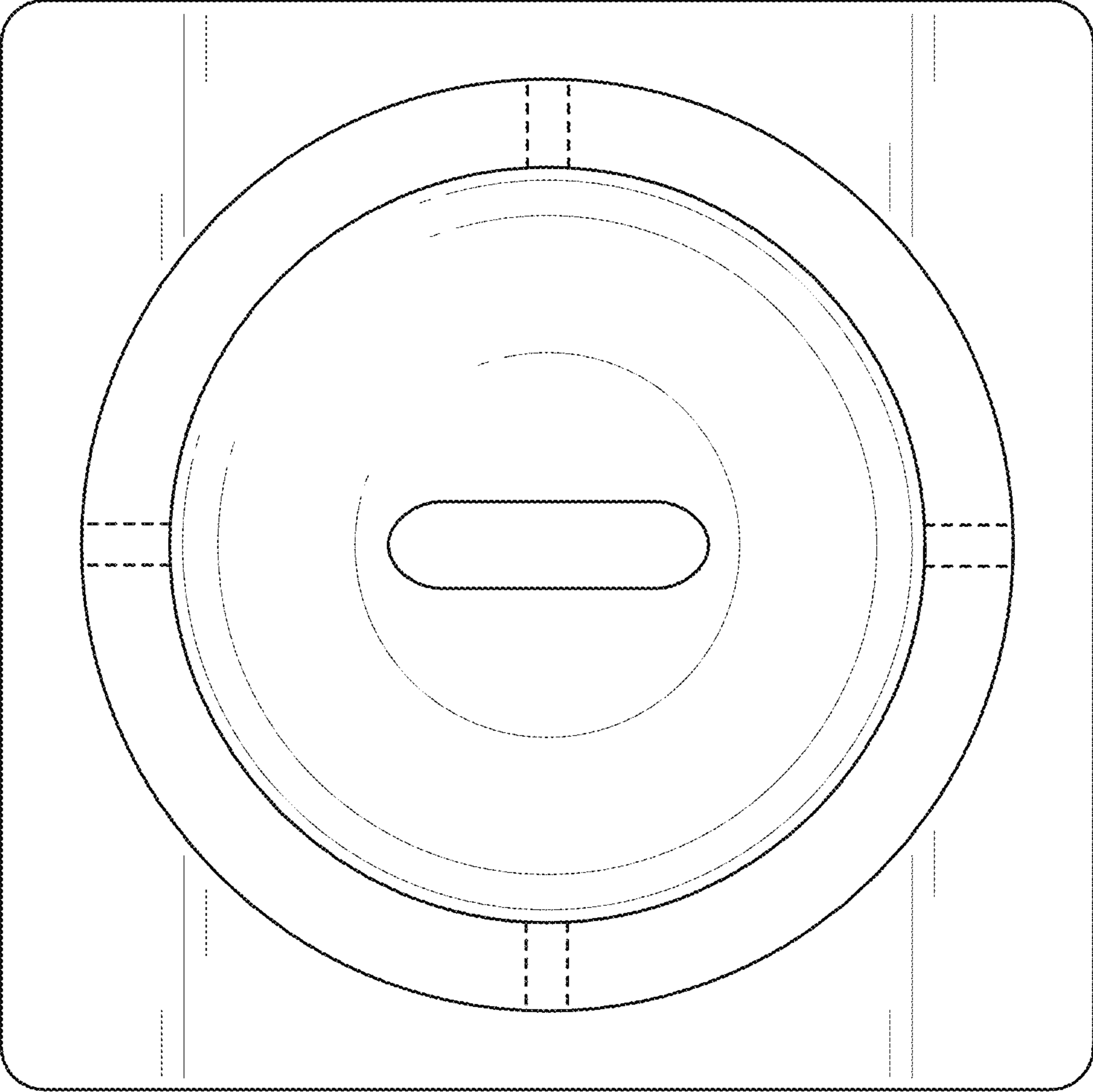


FIG. 2



FIG. 3

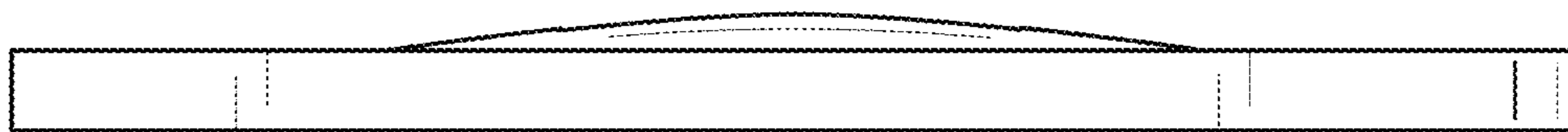


FIG. 4

UNITED STATES PATENT AND TRADEMARK OFFICE
CERTIFICATE OF CORRECTION

PATENT NO. : D831,795 S
APPLICATION NO. : 29/610011
DATED : October 23, 2018
INVENTOR(S) : Werner Schluter

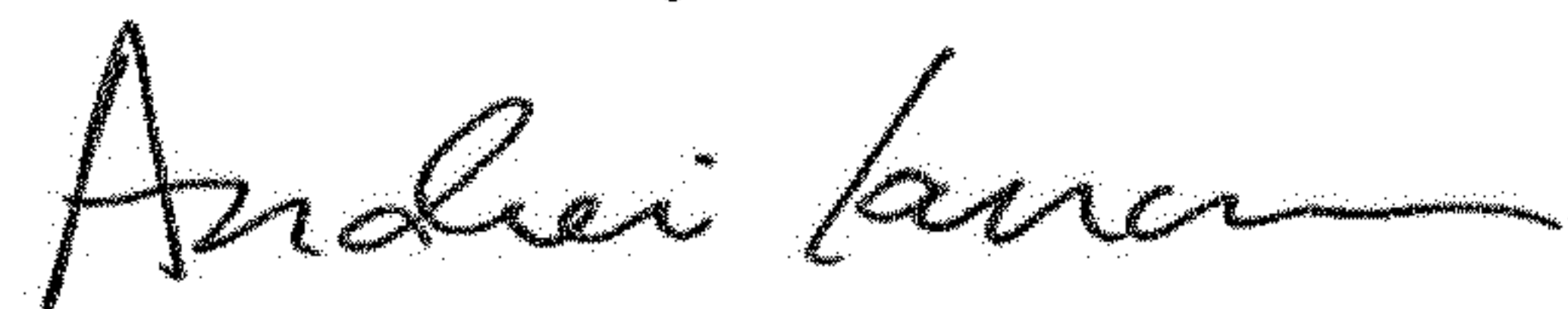
Page 1 of 1

It is certified that error appears in the above-identified patent and that said Letters Patent is hereby corrected as shown below:

On the Title Page

Item (54), the title of the invention was printed as "Drain Gate". The correct title of the invention is
--Drain Grate--.

Signed and Sealed this
Twelfth Day of March, 2019



Andrei Iancu
Director of the United States Patent and Trademark Office