



US00D831792S

(12) **United States Design Patent**  
**Gehrung et al.**

(10) **Patent No.:** **US D831,792 S**

(45) **Date of Patent:** **\*\* Oct. 23, 2018**

(54) **HANDLE OF SPRAY GUN FOR PAINT**

(71) Applicant: **SATA GmbH & Co. KG,**  
Kornwestheim (DE)

(72) Inventors: **Ralf Gehrung,** Backnang (DE);  
**Albercht Kruse,** Stuttgart (DE)

(73) Assignee: **SATA GmbH & Co. KG,**  
Kornwestheim (DE)

(\*\*) Term: **15 Years**

(21) Appl. No.: **29/594,506**

(22) Filed: **Feb. 20, 2017**

(30) **Foreign Application Priority Data**

Aug. 19, 2016 (DE) ..... 003347152

(51) **LOC (11) Cl.** ..... **23-01**

(52) **U.S. Cl.**  
USPC ..... **D23/223; D23/226**

(58) **Field of Classification Search**  
USPC ..... **D23/213, 223, 226, 225; 239/525, 526,**  
**239/291**

CPC ..... **B05B 1/00; B05B 9/01; B05B 15/061;**  
**B05B 3/00; B05B 5/00; B05B 1/005;**  
**B05B 13/005; B05B 1/3026**

See application file for complete search history.

(56) **References Cited**

**U.S. PATENT DOCUMENTS**

D474,257 S \* 5/2003 Huang ..... D23/223  
D510,609 S \* 10/2005 Huang ..... D23/223

D553,710 S \* 10/2007 Huang ..... D23/223  
D573,689 S \* 7/2008 Tullney ..... D23/223  
D574,059 S \* 7/2008 Huang ..... D23/223  
D591,397 S \* 4/2009 Rigolio ..... D23/226  
D608,857 S \* 1/2010 Chou ..... D23/223  
D613,820 S \* 4/2010 Chou ..... D23/223

\* cited by examiner

*Primary Examiner* — Robin V Webster

(74) *Attorney, Agent, or Firm* — John S. Artz; Dickinson  
Wright PLLC

(57) **CLAIM**

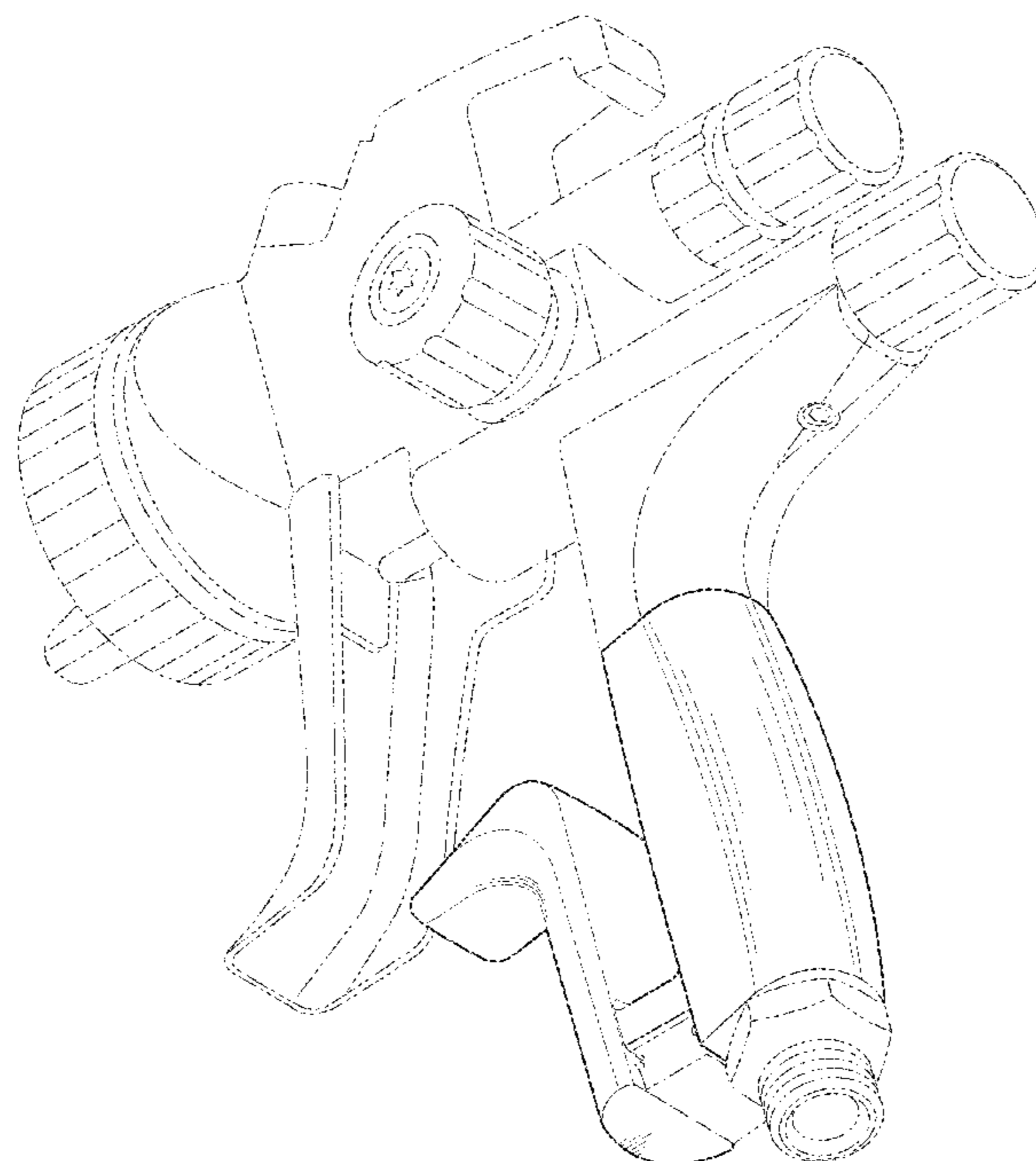
The ornamental design for a handle of spray gun for paint,  
as shown and described.

**DESCRIPTION**

FIG. 1 is a bottom and left side perspective view of a handle  
of spray gun for paint in accordance with the present design;  
FIG. 2 is a right side elevational view thereof;  
FIG. 3 is a left side elevational view thereof;  
FIG. 4 is a front elevational view thereof;  
FIG. 5 is a rear elevational view thereof;  
FIG. 6 is a top plan view thereof; and,  
FIG. 7 is a bottom plan view thereof.

The features shown in broken line are for illustrative pur-  
poses only and form no part of the claimed invention.

**1 Claim, 5 Drawing Sheets**



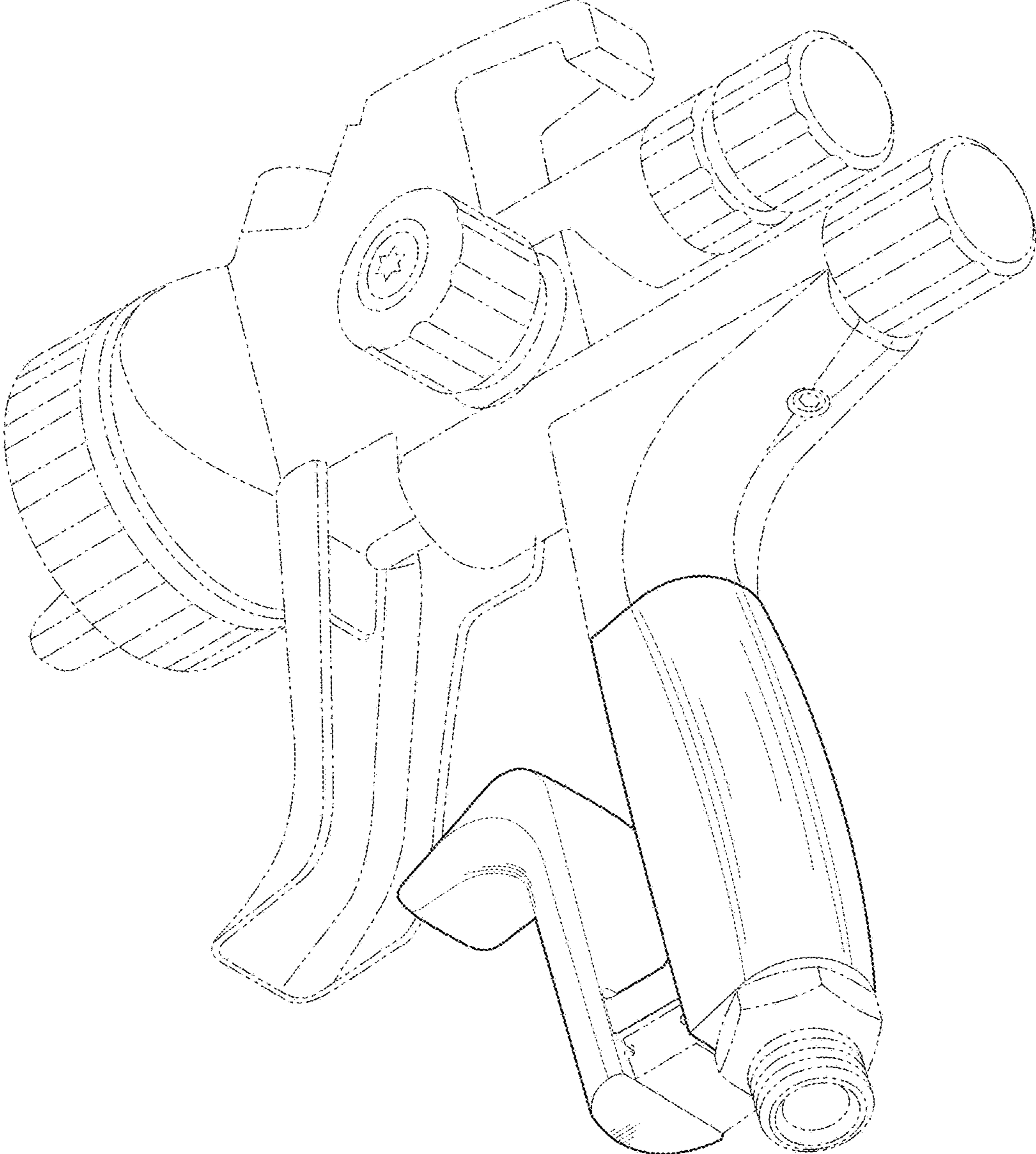


FIG. 1

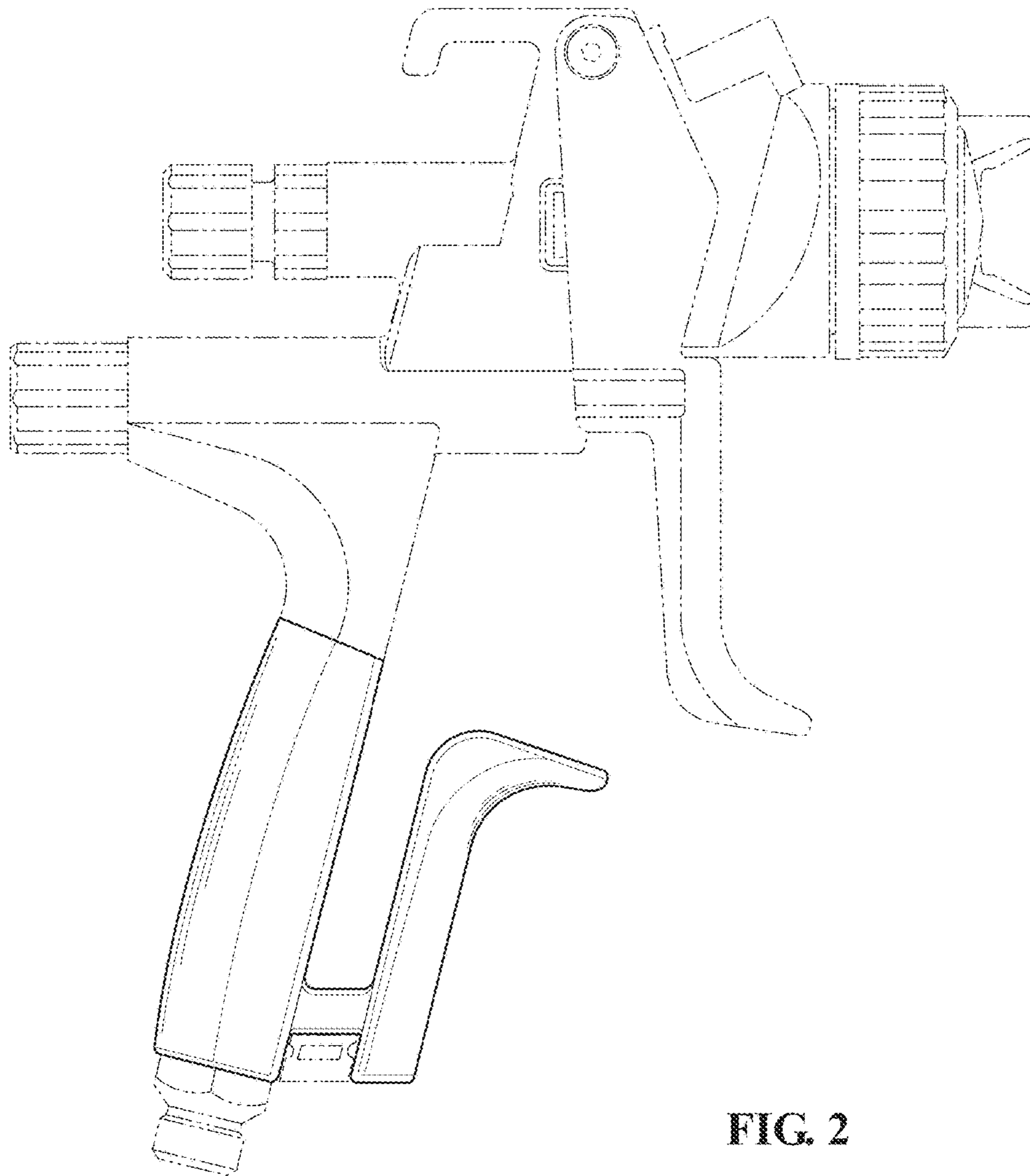


FIG. 2

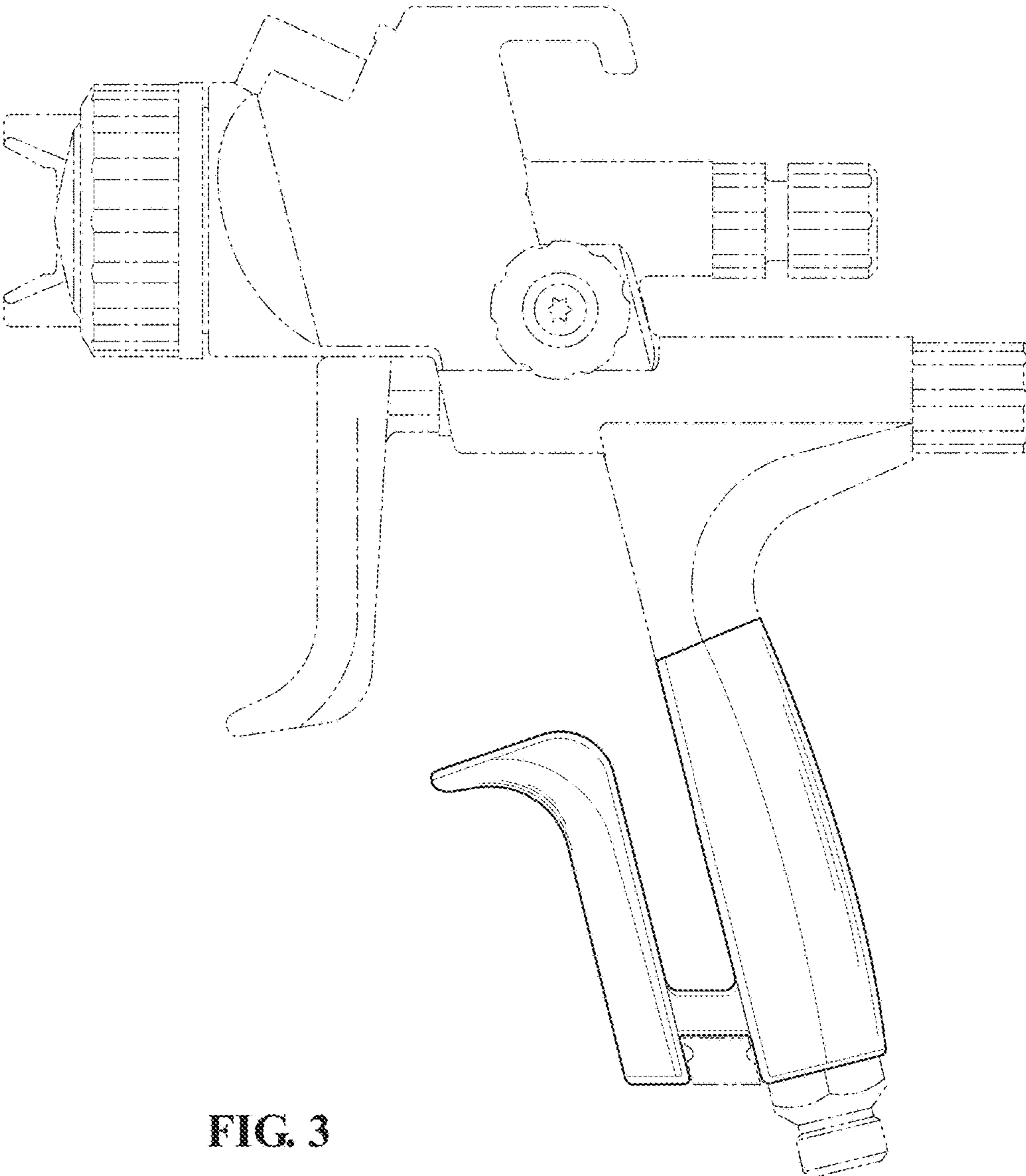


FIG. 3

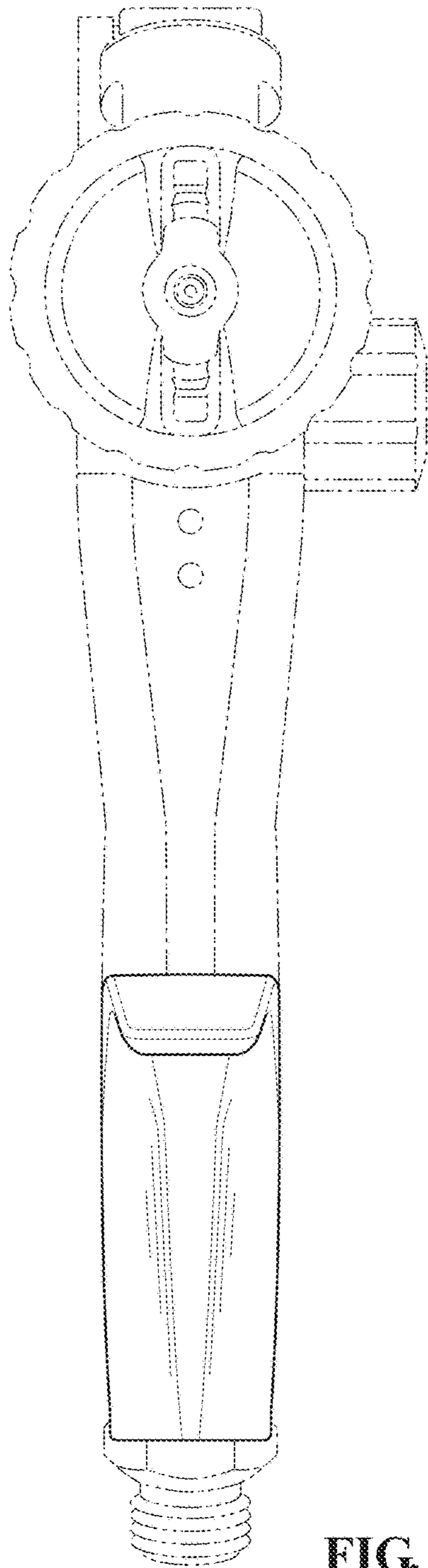


FIG. 4

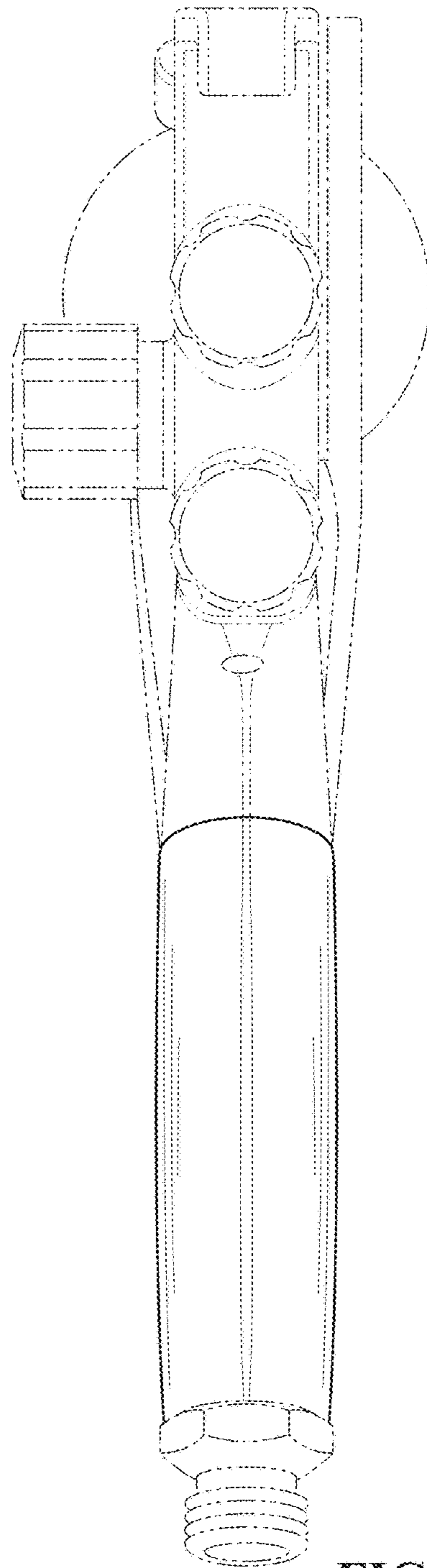


FIG. 5

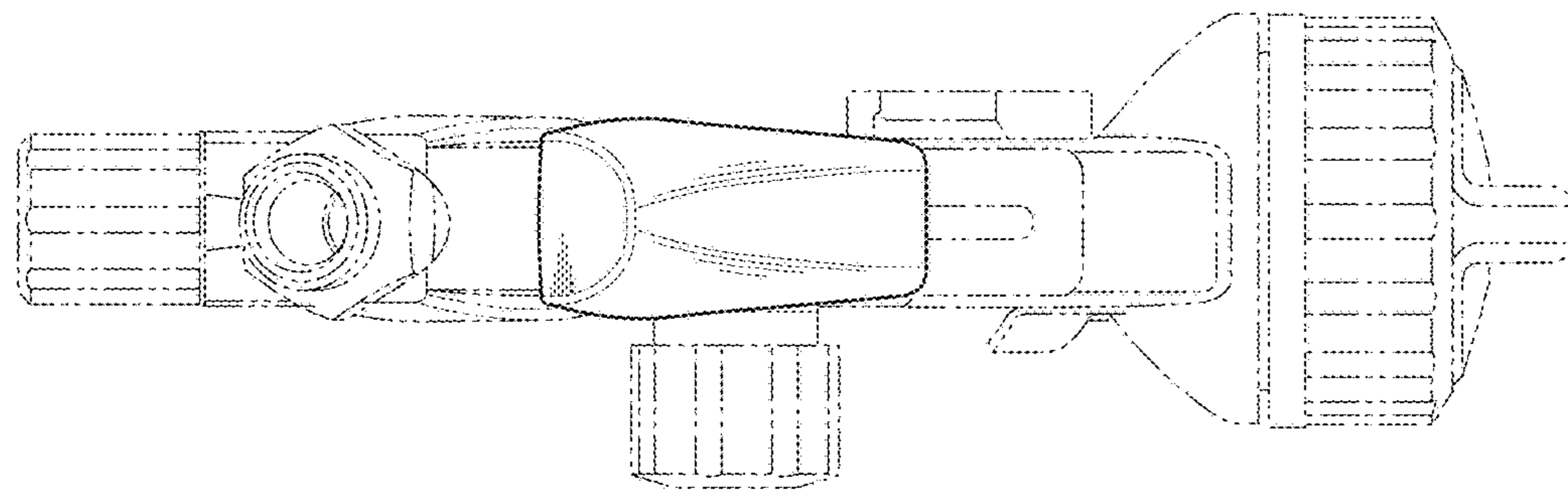


FIG. 7

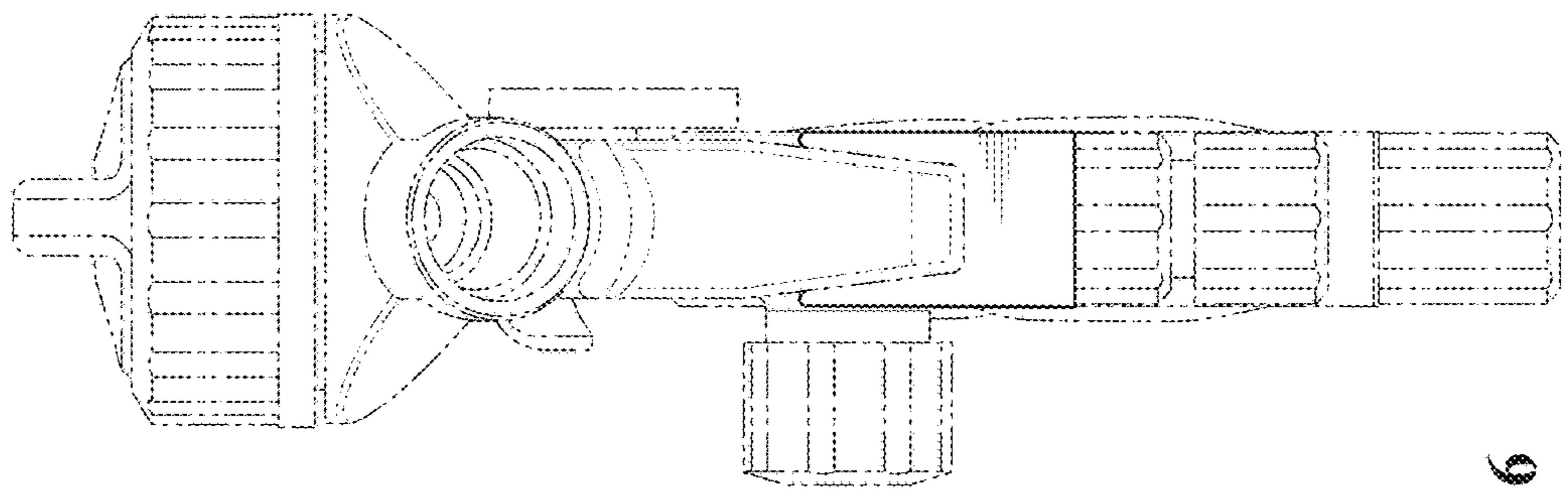


FIG. 6