



US00D831791S

(12) **United States Design Patent**  
**Tse et al.**

(10) **Patent No.:** **US D831,791 S**  
(45) **Date of Patent:** **\*\* Oct. 23, 2018**

- (54) **HOSE ATTACHMENT**
- (71) Applicants: **Berlin Packaging, LLC**, Chicago, IL (US); **H.D. Hudson Asia Limited**, Tuen Mun, New Territories (HK)
- (72) Inventors: **Kieron Tse**, Mt. Prospect, IL (US); **Martin Rathgeber**, Chicago, IL (US); **Chan Man Sing**, Hong Kong (CN); **William Arthur Hudson**, Fox Point, WI (US)
- (73) Assignee: **Berlin Packaging, LLC**, Chicago, IL (US)
- (\*\*) Term: **15 Years**
- (21) Appl. No.: **29/589,669**
- (22) Filed: **Jan. 4, 2017**
- (51) **LOC (11) Cl.** ..... **23-01**
- (52) **U.S. Cl.**  
USPC ..... **D23/213**
- (58) **Field of Classification Search**  
USPC ..... D23/213, 223, 226, 225; 239/525, 526, 239/291  
CPC ..... B05B 1/00; B05B 9/01; B05B 15/061; B05B 3/00; B05B 5/00; B05B 1/005; B05B 13/005; B05B 1/3026  
See application file for complete search history.

D473,284 S \* 4/2003 Pong ..... D23/213  
D799,003 S \* 10/2017 Wojan ..... D23/223  
D799,005 S \* 10/2017 Wojan ..... D23/223

\* cited by examiner

*Primary Examiner* — Robin V Webster  
(74) *Attorney, Agent, or Firm* — Adam K. Sacharoff;  
Much Shelist, P.C.

(57) **CLAIM**

The ornamental design for a hose attachment, as shown and described.

**DESCRIPTION**

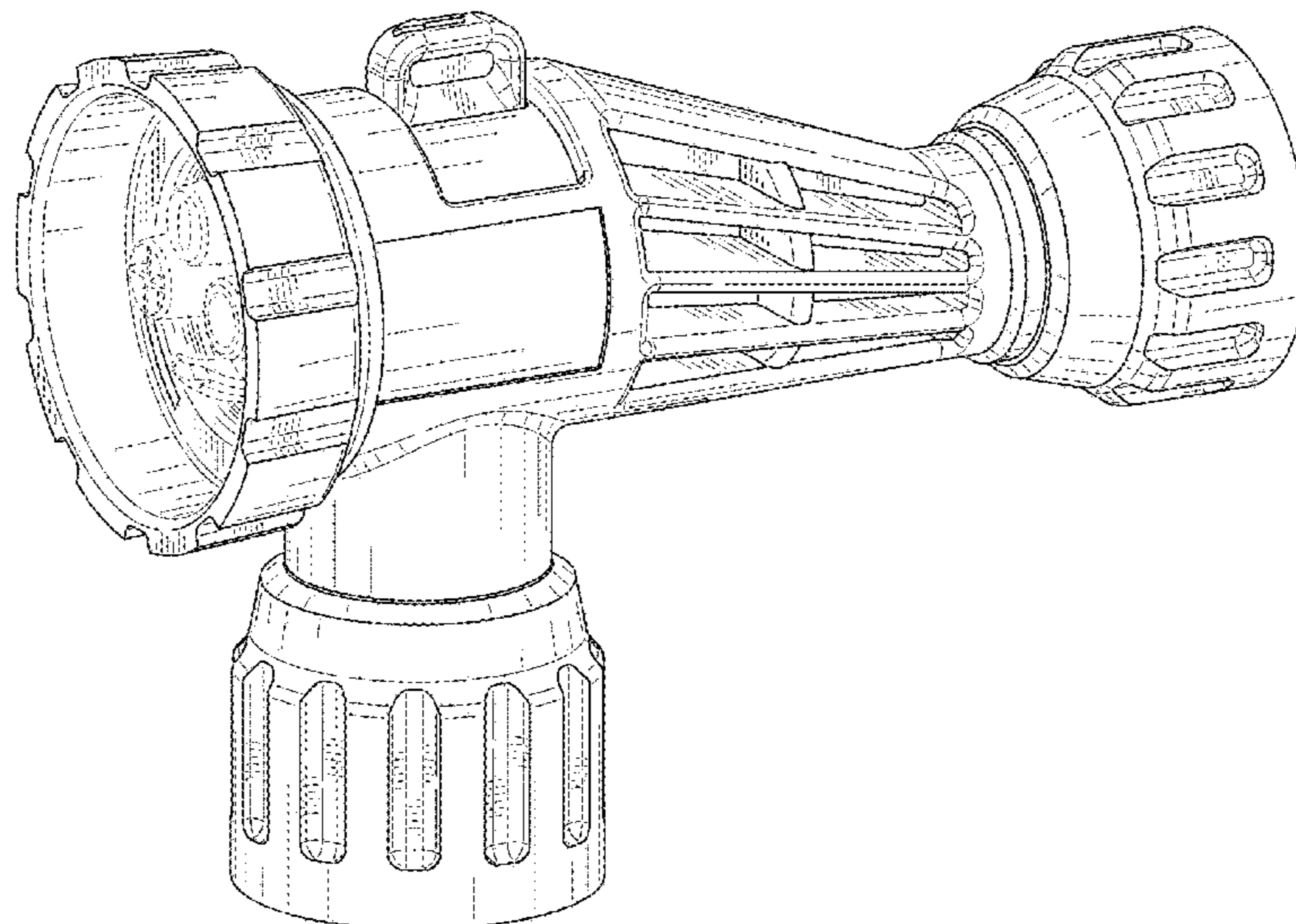
FIG. 1 is a front left side perspective view showing the new design for a hose attachment;  
FIG. 2 is a front right side perspective view thereof;  
FIG. 3 is a rear right side perspective view thereof;  
FIG. 4 is a rear left side perspective view thereof;  
FIG. 5 is a perspective view of FIG. 1 taken from underneath the hose attachment;  
FIG. 6 is another perspective view of FIG. 1 from underneath the hose attachment;  
FIG. 7 is another perspective view of FIG. 1 from underneath the hose attachment;  
FIG. 8 is another perspective view of FIG. 3 taken above the hose attachment;  
FIG. 9 is a front view thereof;  
FIG. 10 is a rear view thereof;  
FIG. 11 is a left side view thereof;  
FIG. 12 is a right side view thereof;  
FIG. 13 is a top plan view thereof; and,  
FIG. 14 is a bottom plan view thereof.  
The broken lines in the Figures are included to show unclaimed subject matter only and form no part of the claimed design.

(56) **References Cited**

**U.S. PATENT DOCUMENTS**

- D256,271 S 8/1980 Tada
- D358,865 S 5/1995 Enghard et al.
- D429,794 S 8/2000 Beaver et al.
- D431,068 S 9/2000 Beaver et al.
- D433,095 S 10/2000 Beaver et al.
- D451,581 S 12/2001 Shanklin et al.
- D472,300 S \* 3/2003 Chen ..... D23/213

**1 Claim, 13 Drawing Sheets**



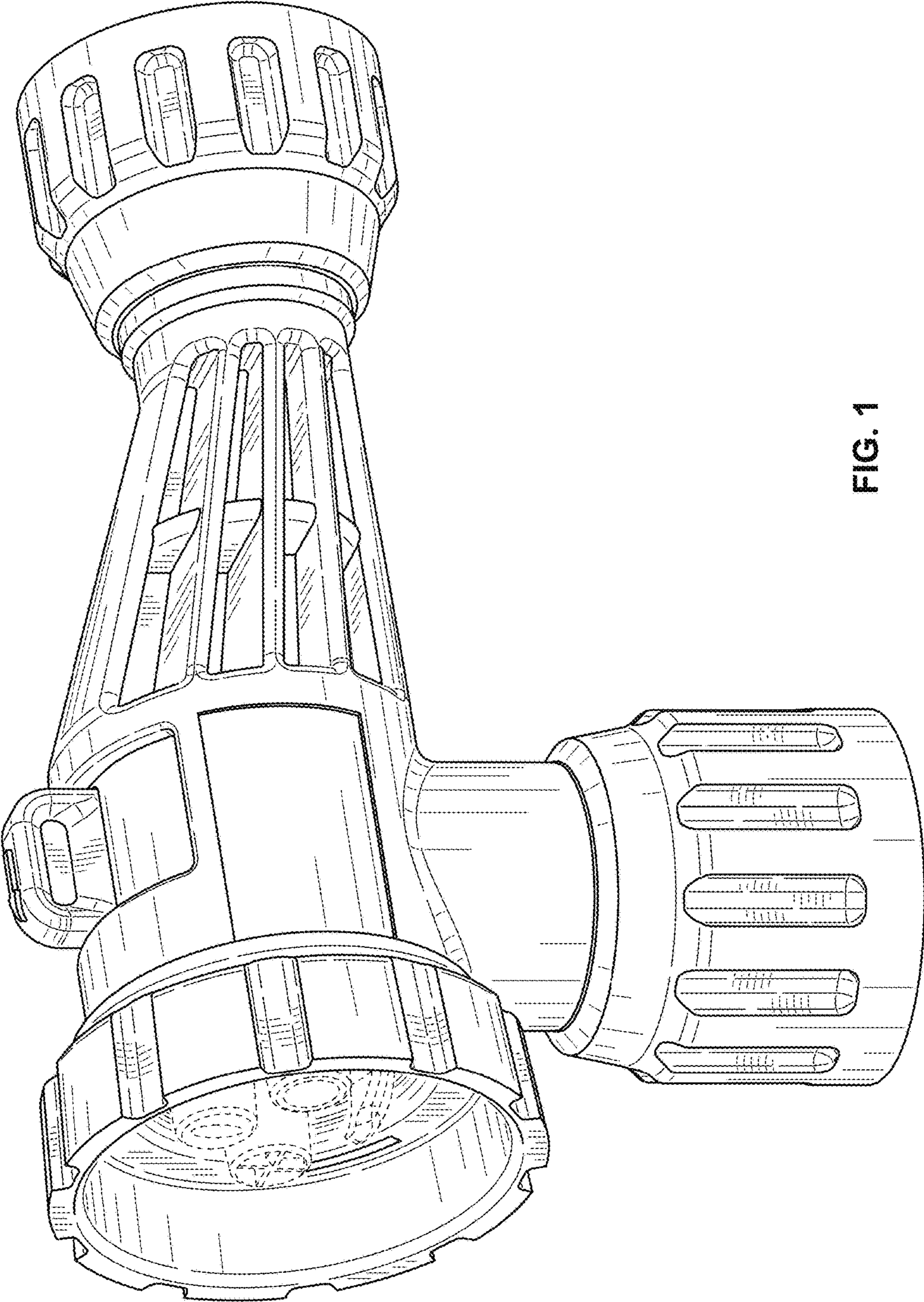


FIG. 1



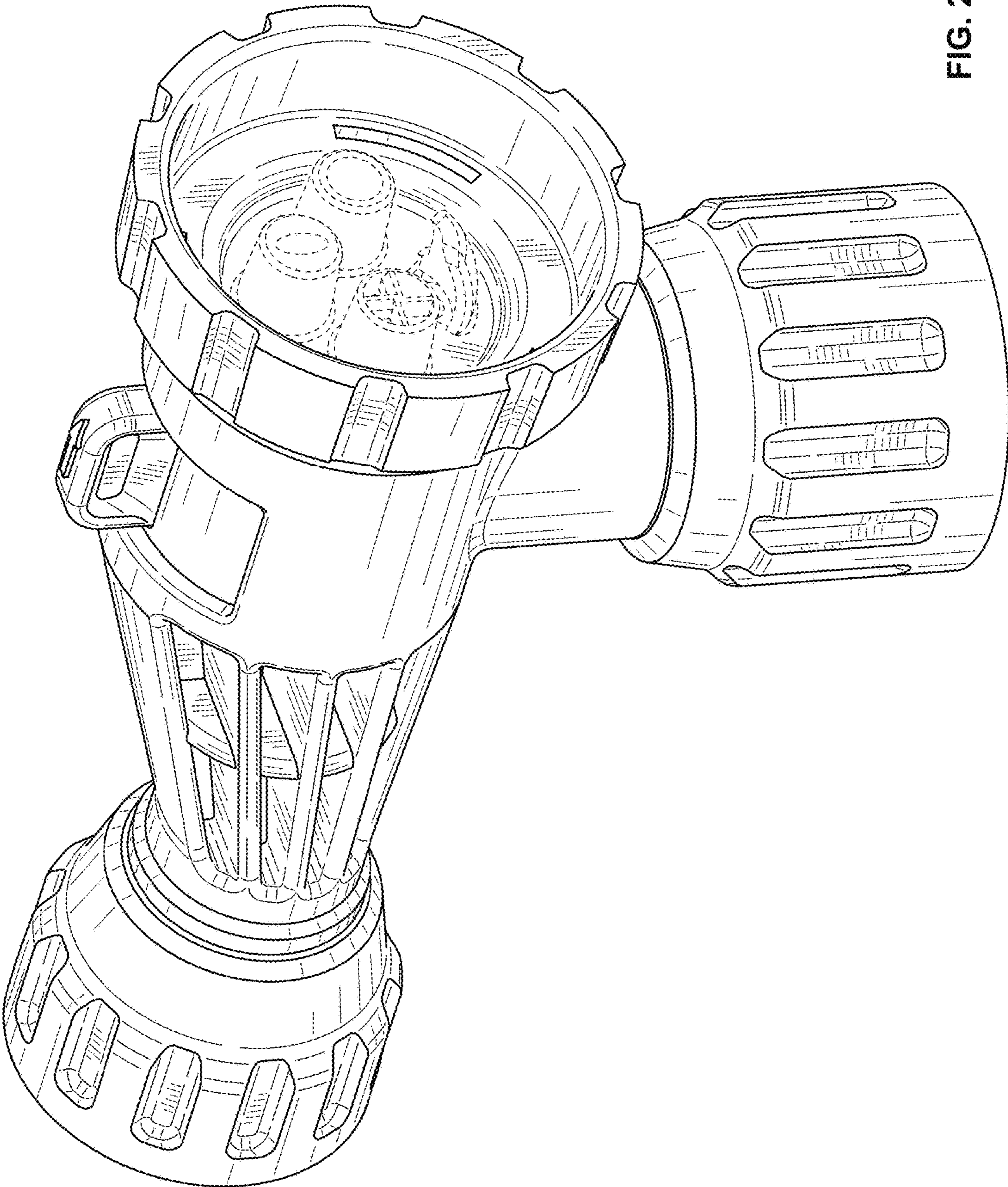


FIG. 2

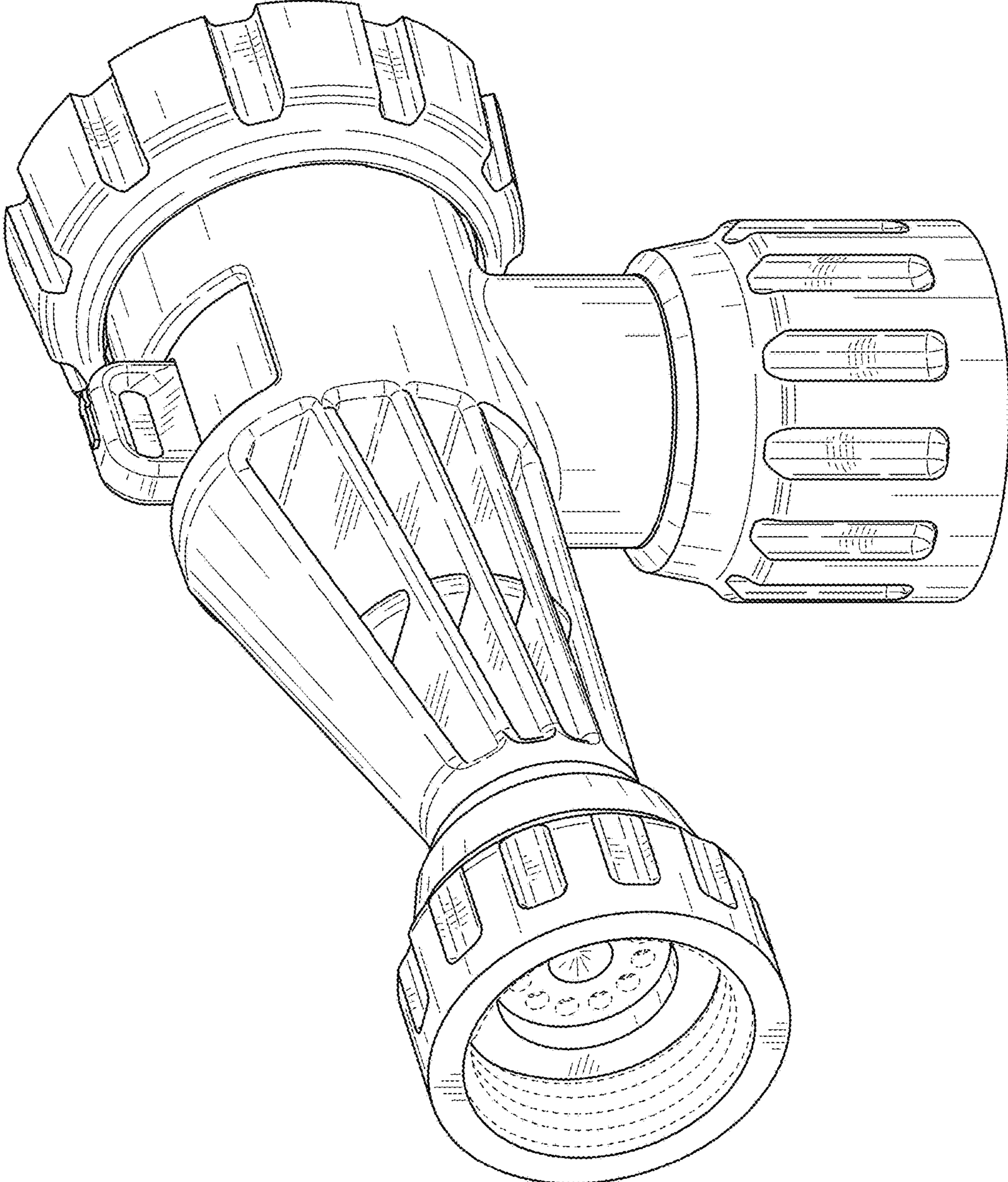


FIG. 3



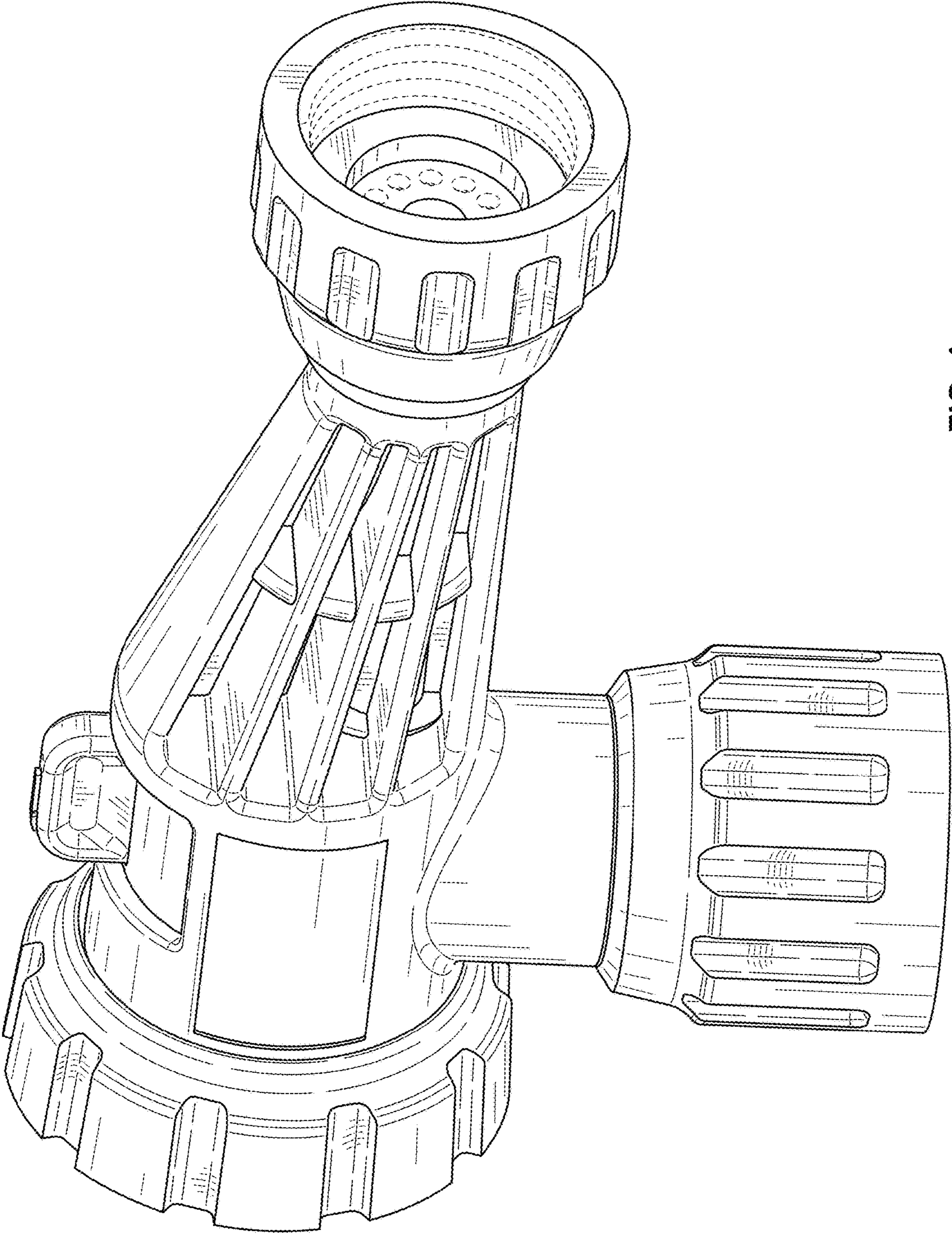


FIG. 4

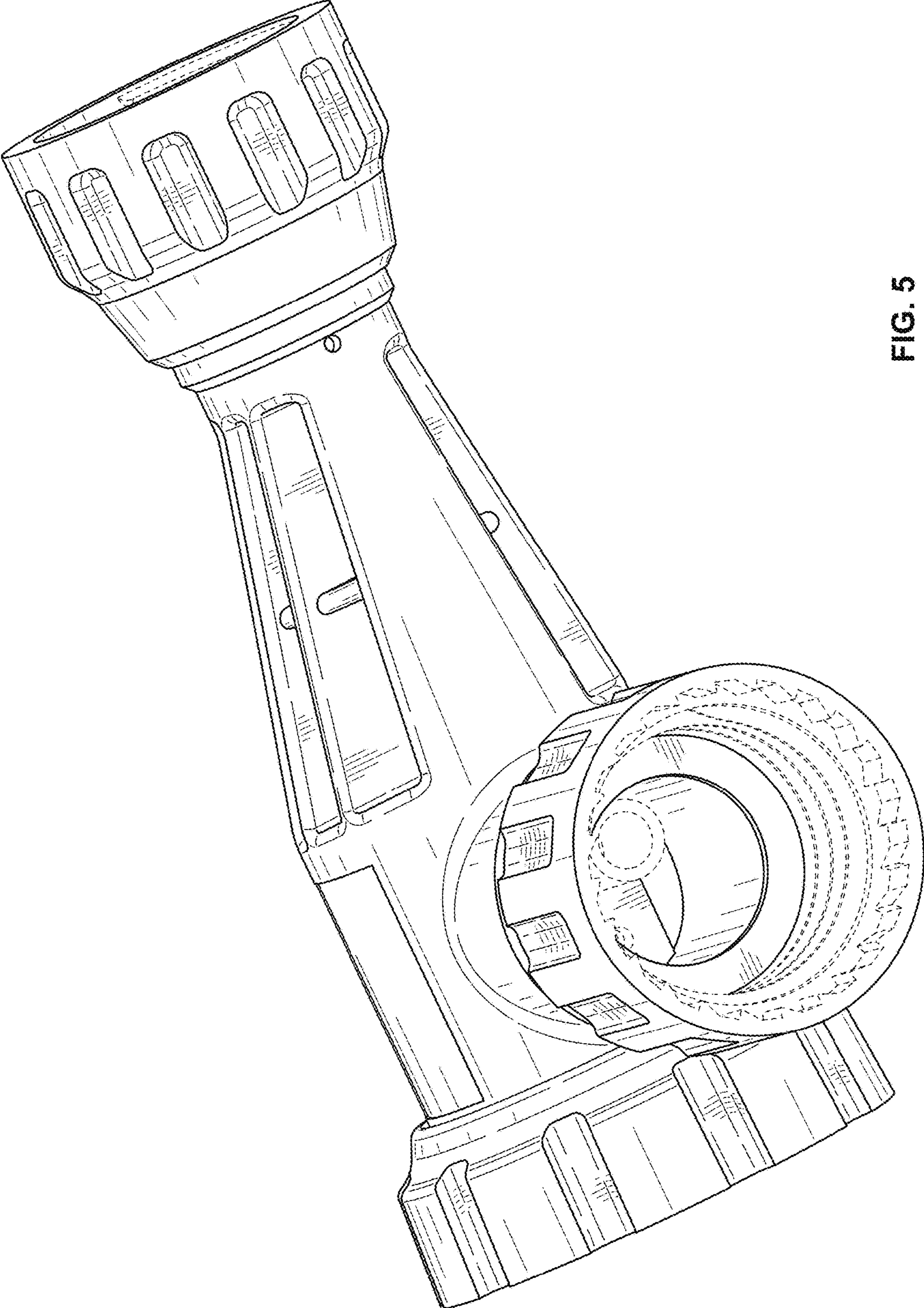


FIG. 5



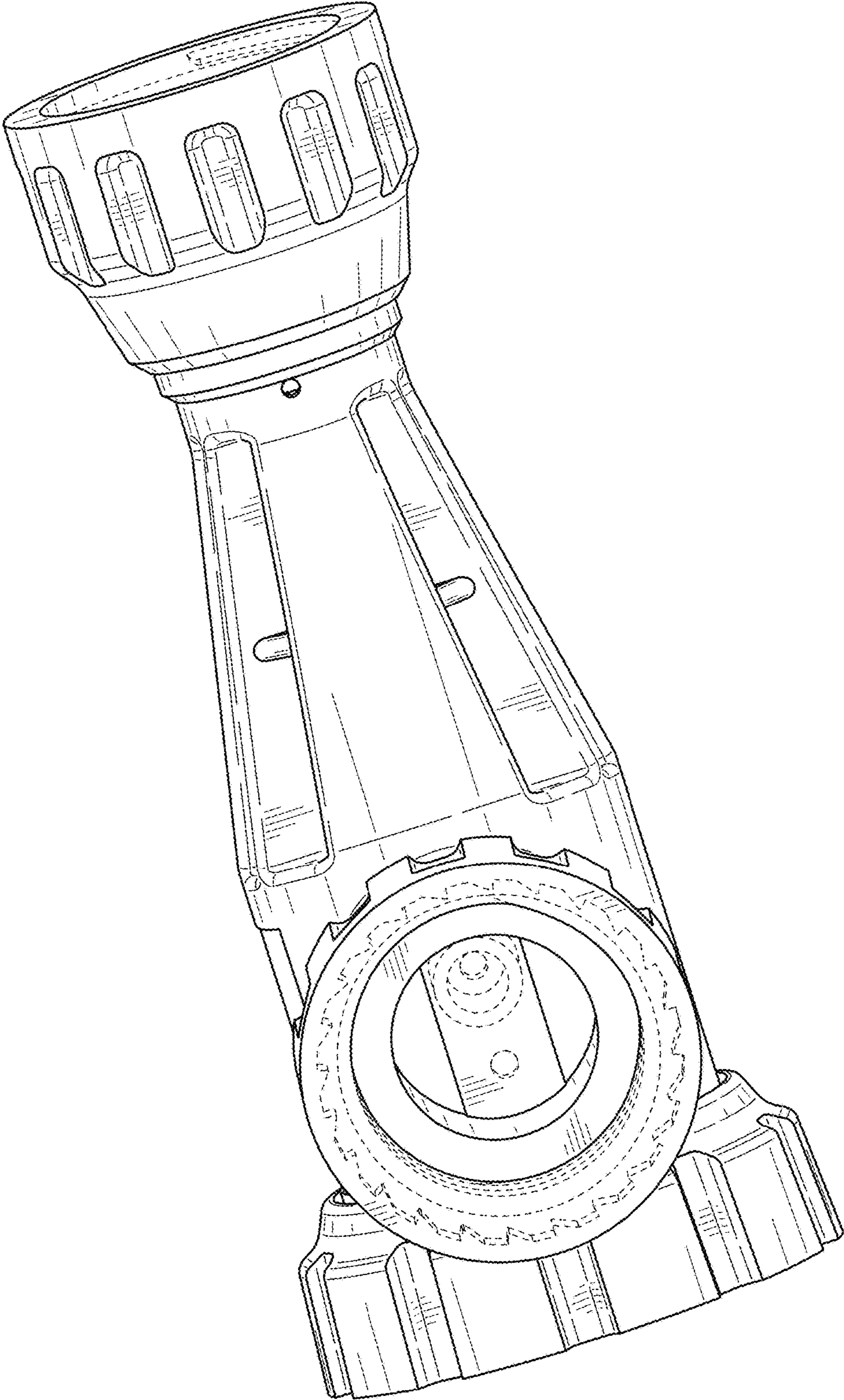


FIG. 6

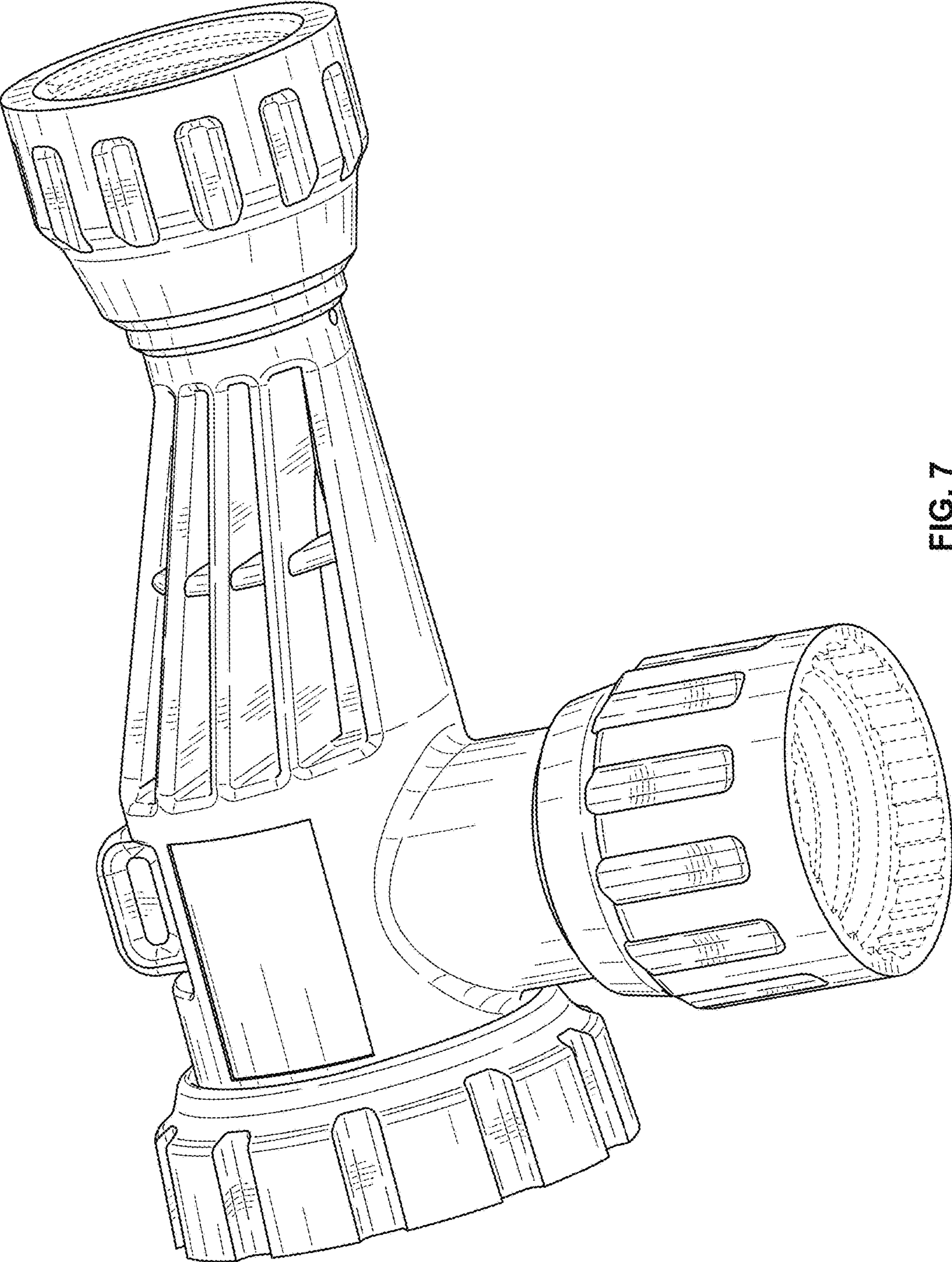


FIG. 7



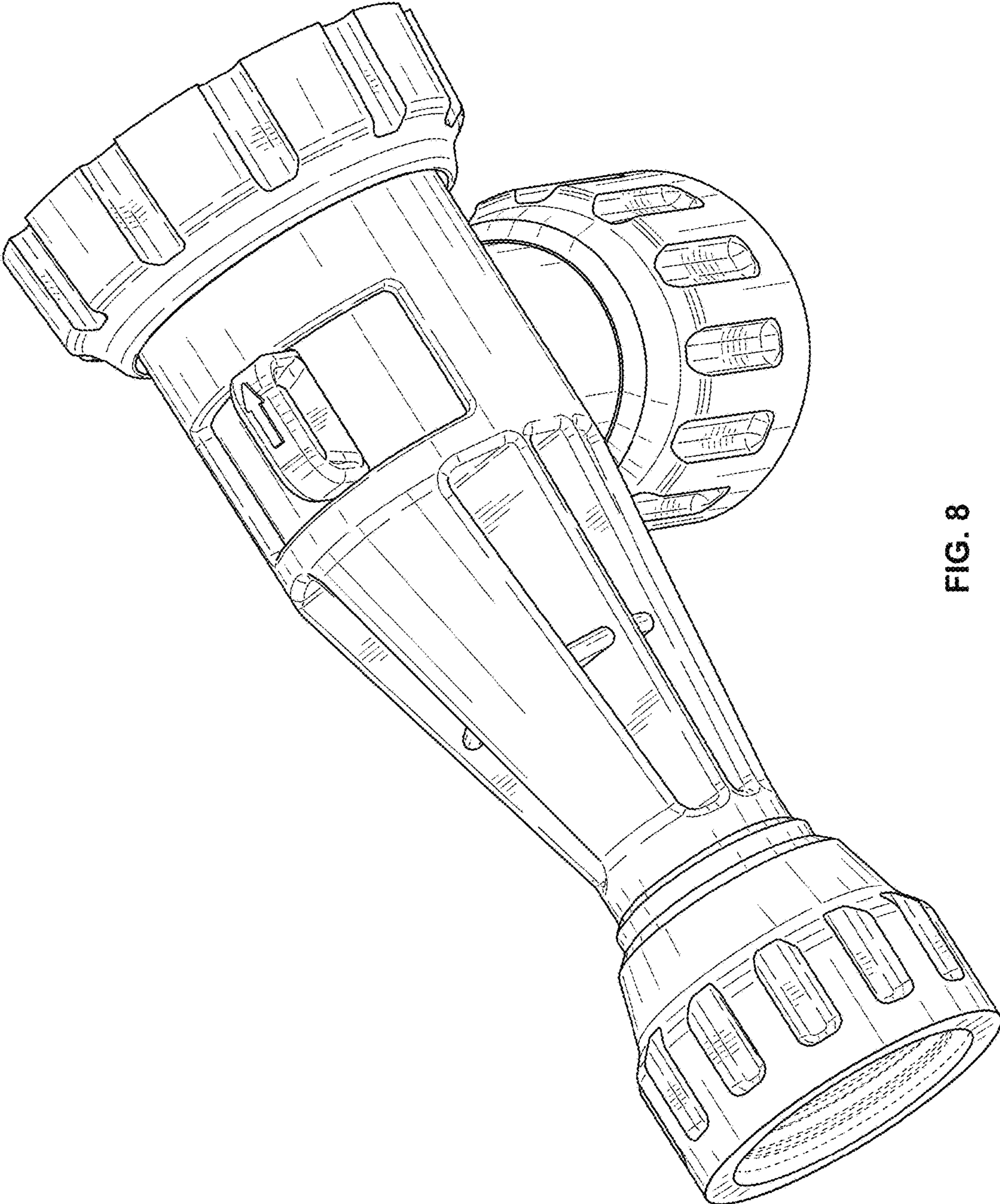


FIG. 8

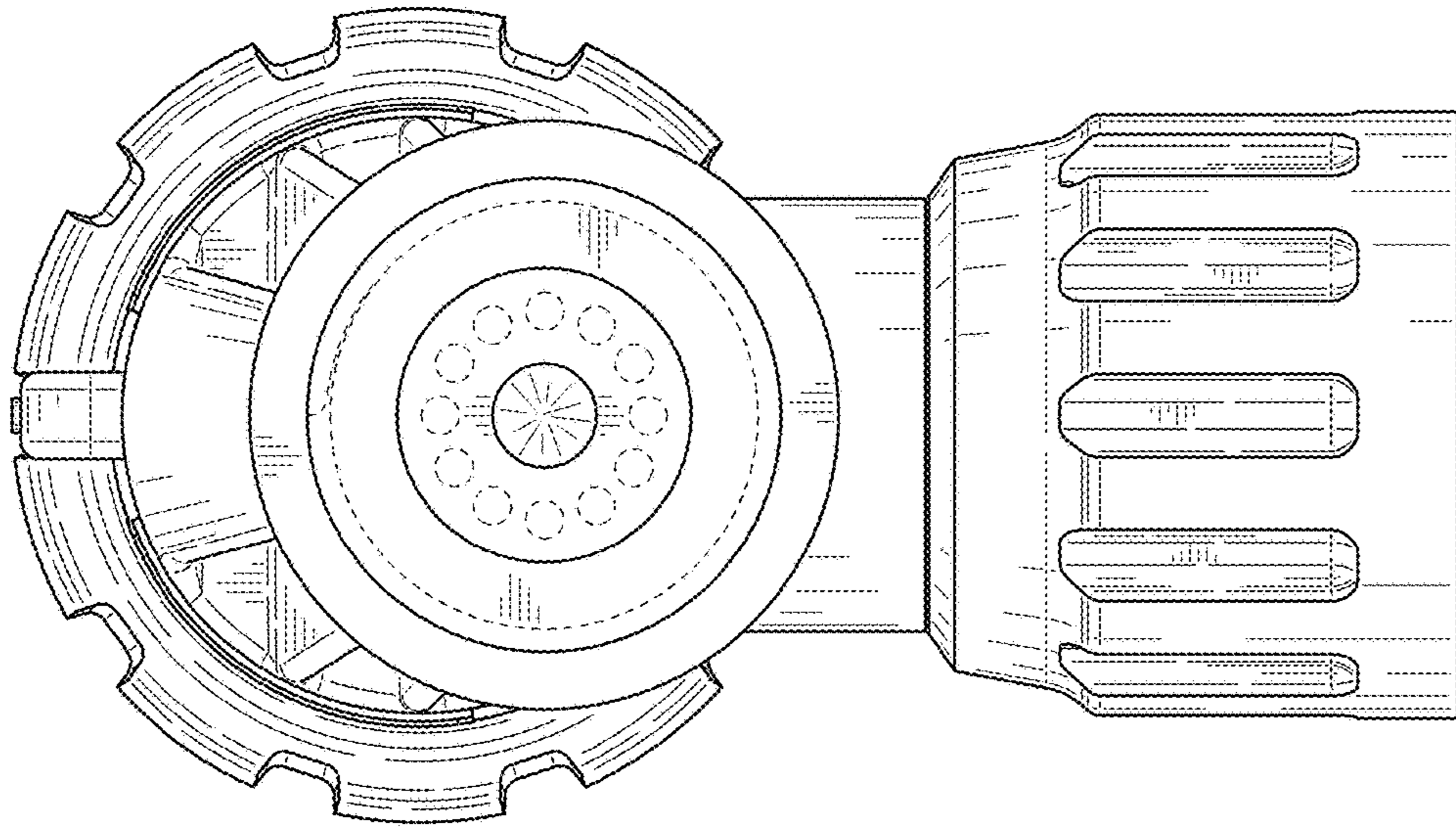


FIG. 10

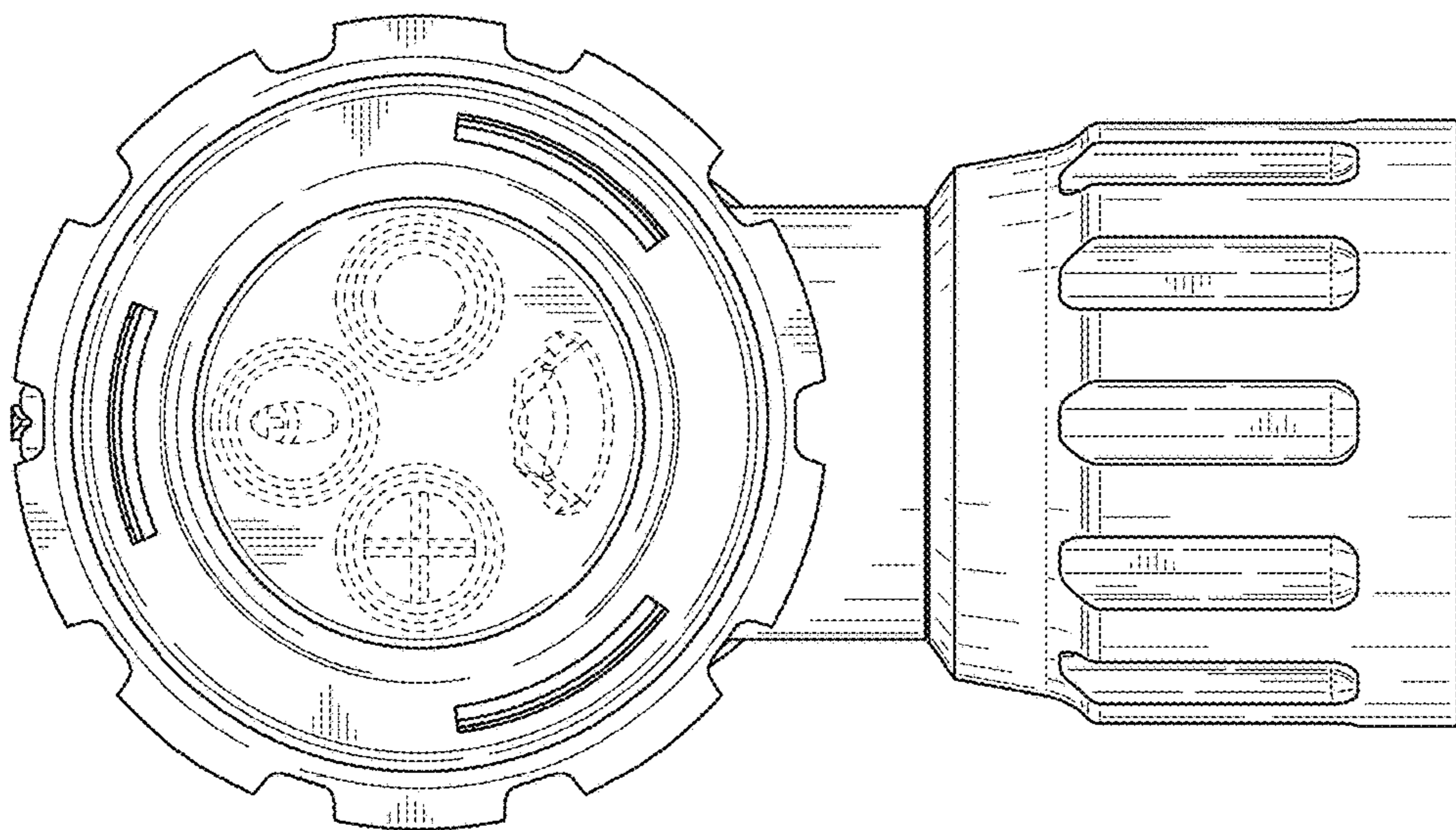


FIG. 9



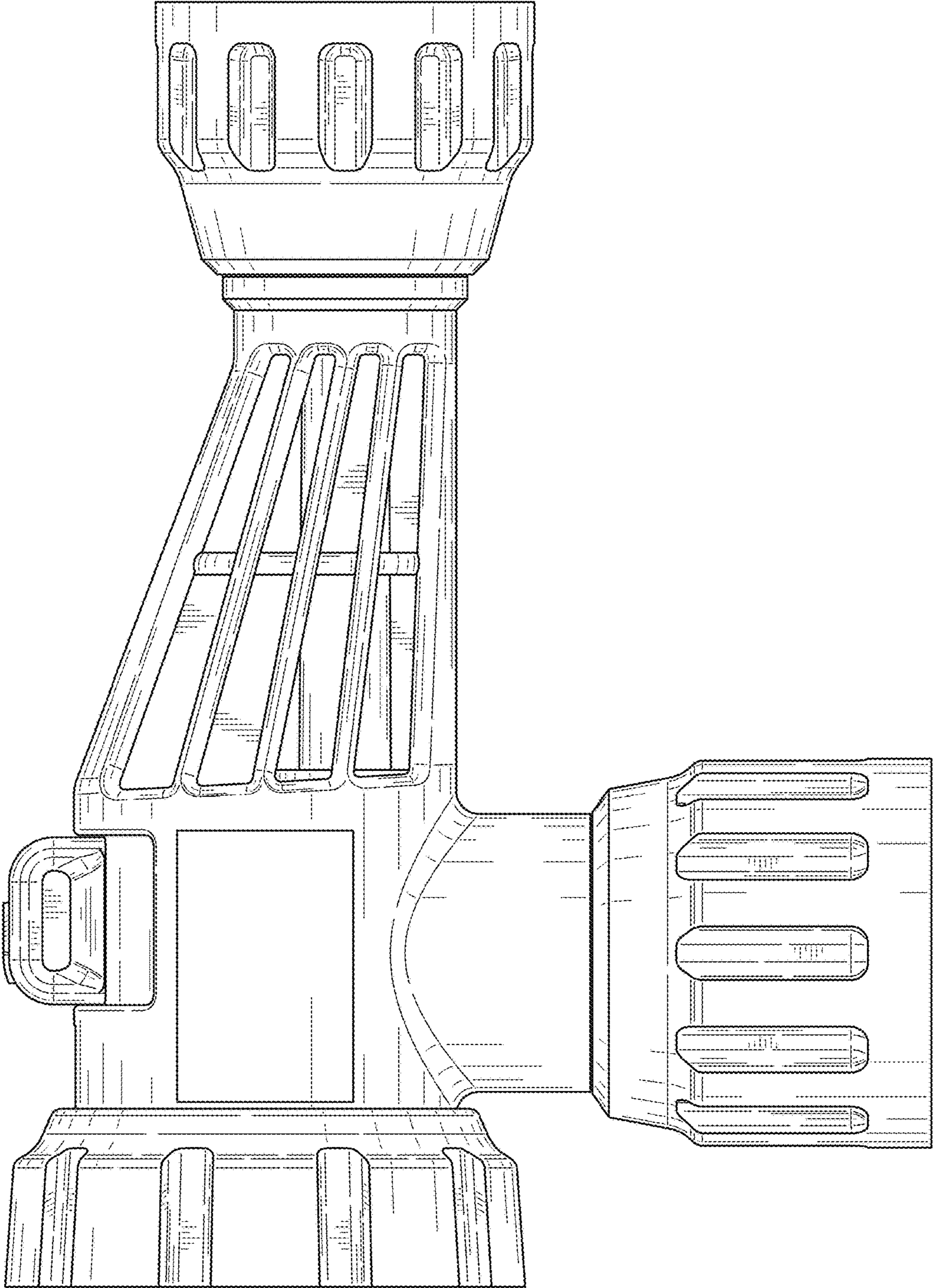


FIG. 11

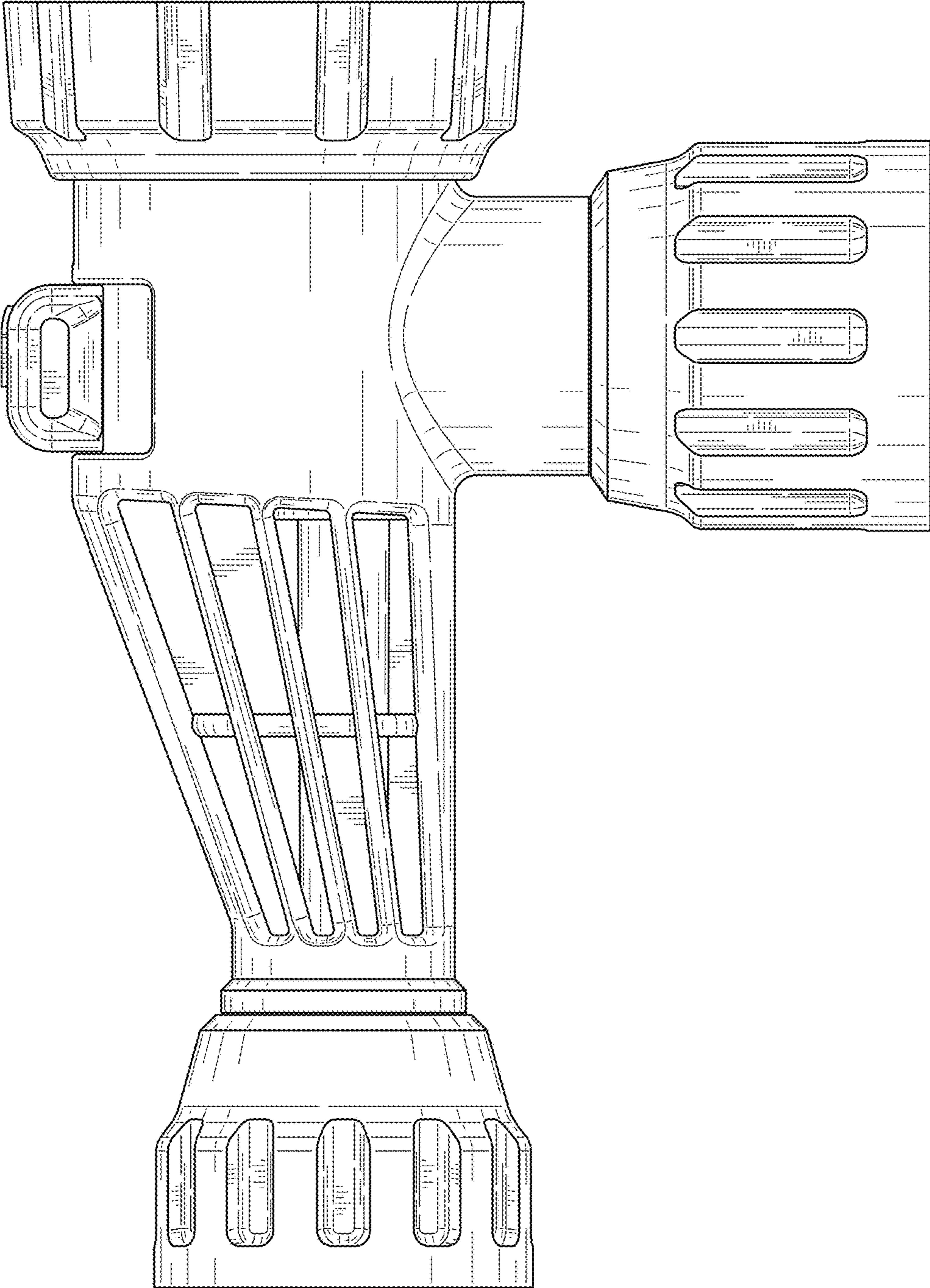


FIG. 12



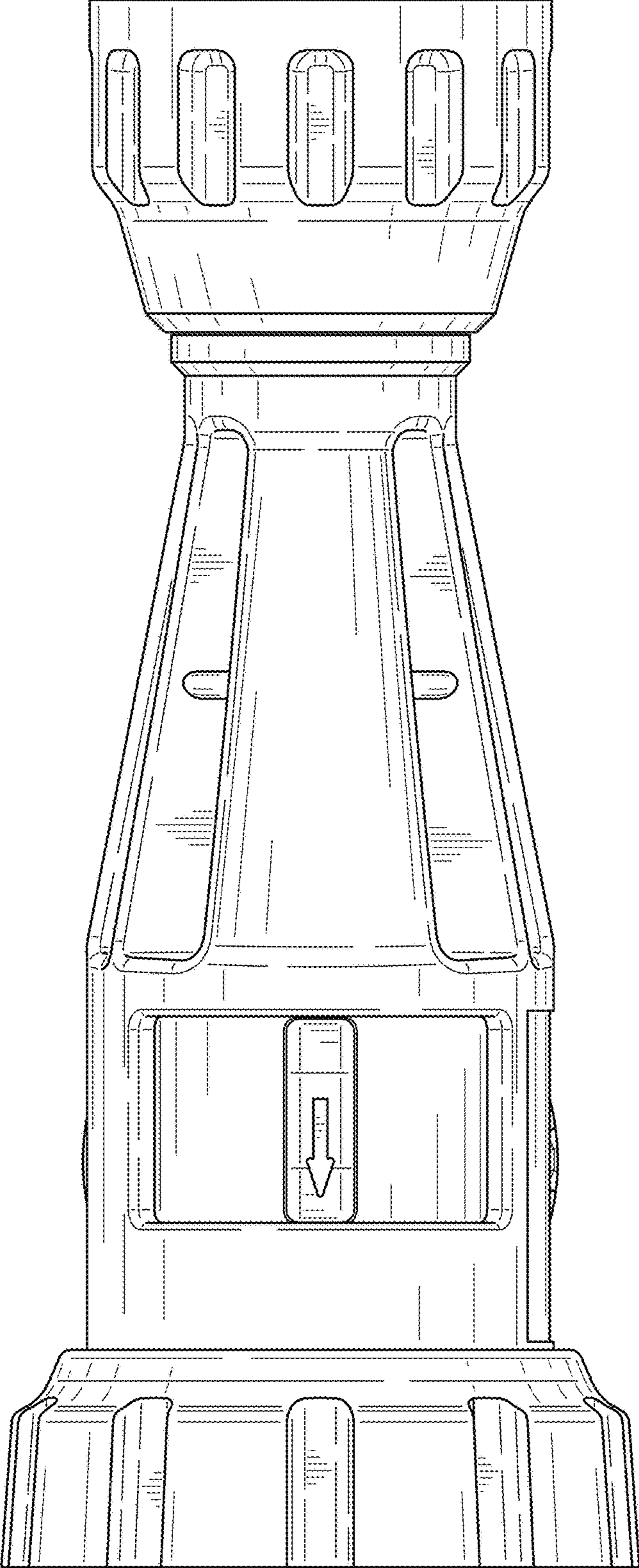


FIG. 13

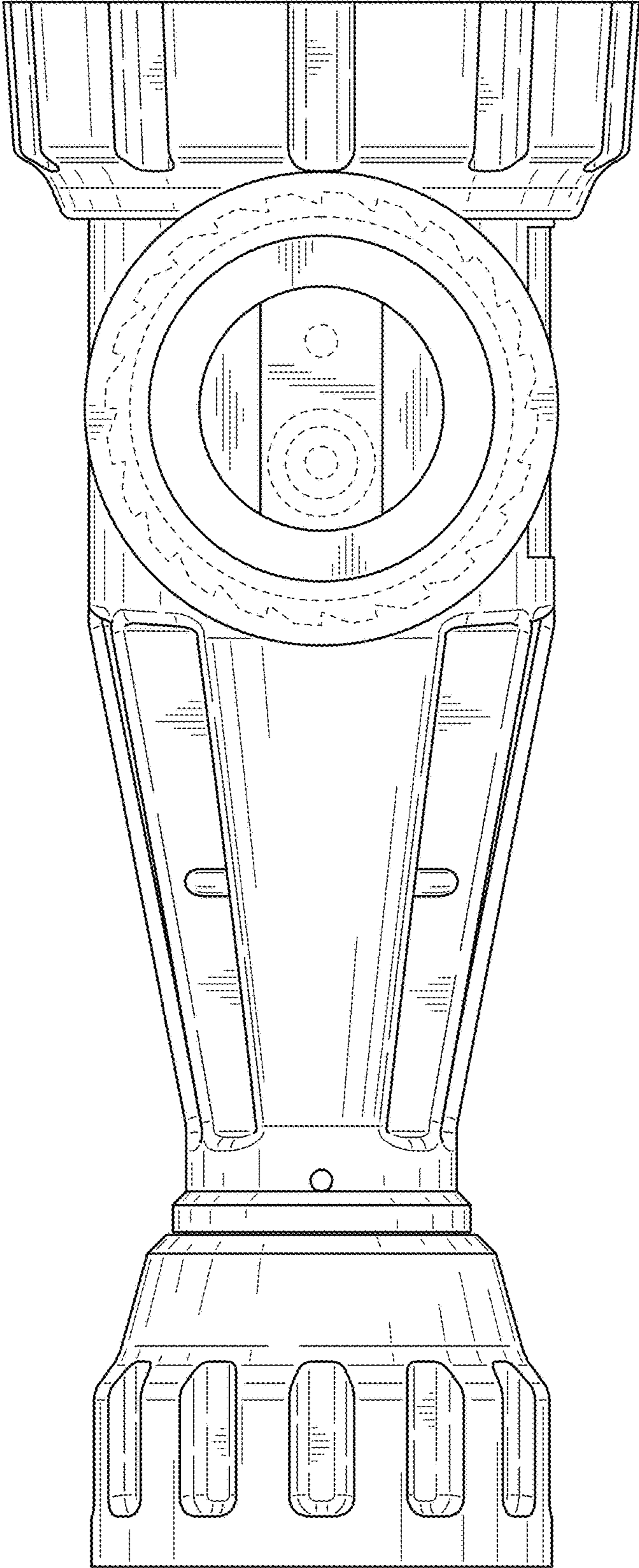


FIG. 14