



US00D831790S

(12) **United States Design Patent** (10) **Patent No.:** **US D831,790 S**
Kasper et al. (45) **Date of Patent:** **** Oct. 23, 2018**

(54) **LUBRICANT DISPENSER**
(71) Applicants: **Joseph A. Kasper**, Lexington, KY
(US); **Steven B. Ruble**, Lexington, KY
(US); **Keith Peshke**, Lexington, KY
(US)
(72) Inventors: **Joseph A. Kasper**, Lexington, KY
(US); **Steven B. Ruble**, Lexington, KY
(US); **Keith Peshke**, Lexington, KY
(US)
(73) Assignee: **Valvoline Licensing and Intellectual
Property, LLC**, Lexington, KY (US)

(**) Term: **15 Years**

(21) Appl. No.: **29/579,646**

(22) Filed: **Sep. 30, 2016**

(51) **LOC (11) Cl.** **23-01**

(52) **U.S. Cl.**
USPC **D23/211**; D15/150

(58) **Field of Classification Search**
USPC D6/515, 518–523; D7/615; D9/434–436,
D9/440, 447, 448, 455, 730, 733, 737,
D9/739–741, 744; D15/7, 9.1, 150–152,
D15/199; D23/211–211.2; D34/1, 7, 8
CPC F16N 19/00
See application file for complete search history.

(56) **References Cited**

U.S. PATENT DOCUMENTS

D253,521 S * 11/1979 Makela 222/83
D340,467 S * 10/1993 Pollak D15/150
D340,468 S * 10/1993 Pollak D15/150
D340,731 S * 10/1993 Pollak D15/150
D341,147 S * 11/1993 Pollak 141/331
D350,969 S * 9/1994 Chrisco D15/150
D383,949 S * 9/1997 Lown D7/700
D389,498 S * 1/1998 Larson D15/150

D420,869 S * 2/2000 Diehl D23/200
D422,674 S * 4/2000 Chrisco D23/200
D513,549 S * 1/2006 Schuster D34/1
D514,901 S * 2/2006 Wang D7/700
D555,439 S * 11/2007 Fletcher D15/150
D559,048 S * 1/2008 McKenzie D15/150
D560,106 S * 1/2008 Curtin D7/700
D562,091 S * 2/2008 Ben Shlomo D7/700
D584,378 S * 1/2009 Wilson D23/207
D596,440 S * 7/2009 Rothberg D7/300.2
D627,879 S * 11/2010 Bruns D24/122
D635,398 S * 4/2011 Watabe D7/400
D657,637 S * 4/2012 Gascoine D7/700
D661,957 S * 6/2012 Lee D7/700
D662,794 S * 7/2012 Enghard D7/700
D669,750 S * 10/2012 Lee D7/700
D670,143 S * 11/2012 Cetera D7/691
D676,292 S * 2/2013 Cetera D7/700
D676,293 S * 2/2013 Cetera D7/691

(Continued)

Primary Examiner — Melanie H Tung

Assistant Examiner — Fritzgerald L Butac

(74) *Attorney, Agent, or Firm* — Francis Law Firm
PLLC; James M. Francis

(57) **CLAIM**

We claim the ornamental design for a lubricant dispenser, as shown and described.

DESCRIPTION

FIG. 1 is a right side posterior perspective view of a lubricant dispenser.

FIG. 2 is a left side view a lubricant dispenser.

FIG. 3 is a right view a lubricant dispenser.

FIG. 4 is a posterior view of a lubricant dispenser.

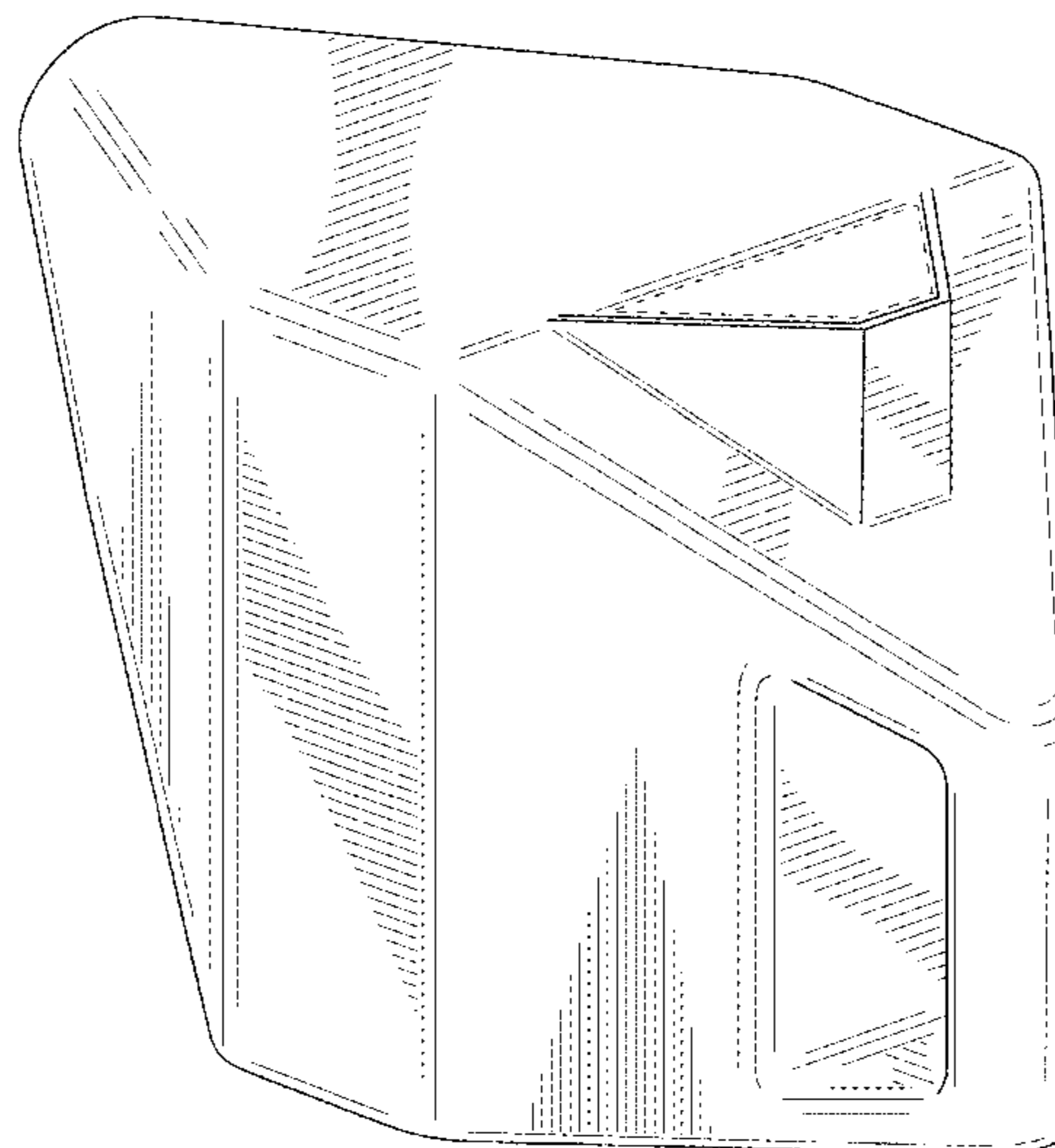
FIG. 5 is an anterior view of a lubricant dispenser.

FIG. 6 is a top view of a lubricant dispenser; and,

FIG. 7 is a bottom view of a lubricant dispenser.

The broken lines show portions of the lubricant dispenser that form no part of the claimed design.

1 Claim, 7 Drawing Sheets



(56)

References Cited

U.S. PATENT DOCUMENTS

D677,132	S *	3/2013	Cetera	D7/691
D680,827	S *	4/2013	Cetera	D7/700
D687,080	S *	7/2013	Carroll	D15/150
D688,924	S *	9/2013	Enghard	D7/700
D690,752	S *	10/2013	Levy	D15/150
D697,540	S *	1/2014	Nkwantabisa	D15/150
8,622,100	B2 *	1/2014	Levy	B67C 11/02 141/342
D703,010	S *	4/2014	Meyer	D7/700
8,726,949	B1 *	5/2014	Poire	B67C 11/02 141/338
D708,919	S *	7/2014	Lin	D7/700
D712,209	S *	9/2014	Hager	D7/700
D728,326	S *	5/2015	Wirth	D7/700
D728,327	S *	5/2015	Wirth	D7/700
D728,328	S *	5/2015	Wirth	D7/700
D728,329	S *	5/2015	Wirth	D7/700
D728,330	S *	5/2015	Wirth	D7/700
D728,331	S *	5/2015	Wirth	D7/700
D738,169	S *	9/2015	Weisenbach	D7/700
D745,314	S *	12/2015	Haft	D7/372
D747,469	S *	1/2016	Jones	D24/122
9,242,843	B2 *	1/2016	Nkwantabisa	B67C 11/02
D750,677	S *	3/2016	Liao	D15/150
9,284,175	B2 *	3/2016	Levy	B67C 11/02
D762,255	S *	7/2016	Levy	D15/150
D763,335	S *	8/2016	Ruffin	D15/150
D778,970	S *	2/2017	Levy	D15/150
D809,093	S *	1/2018	Kasper	D23/211

* cited by examiner

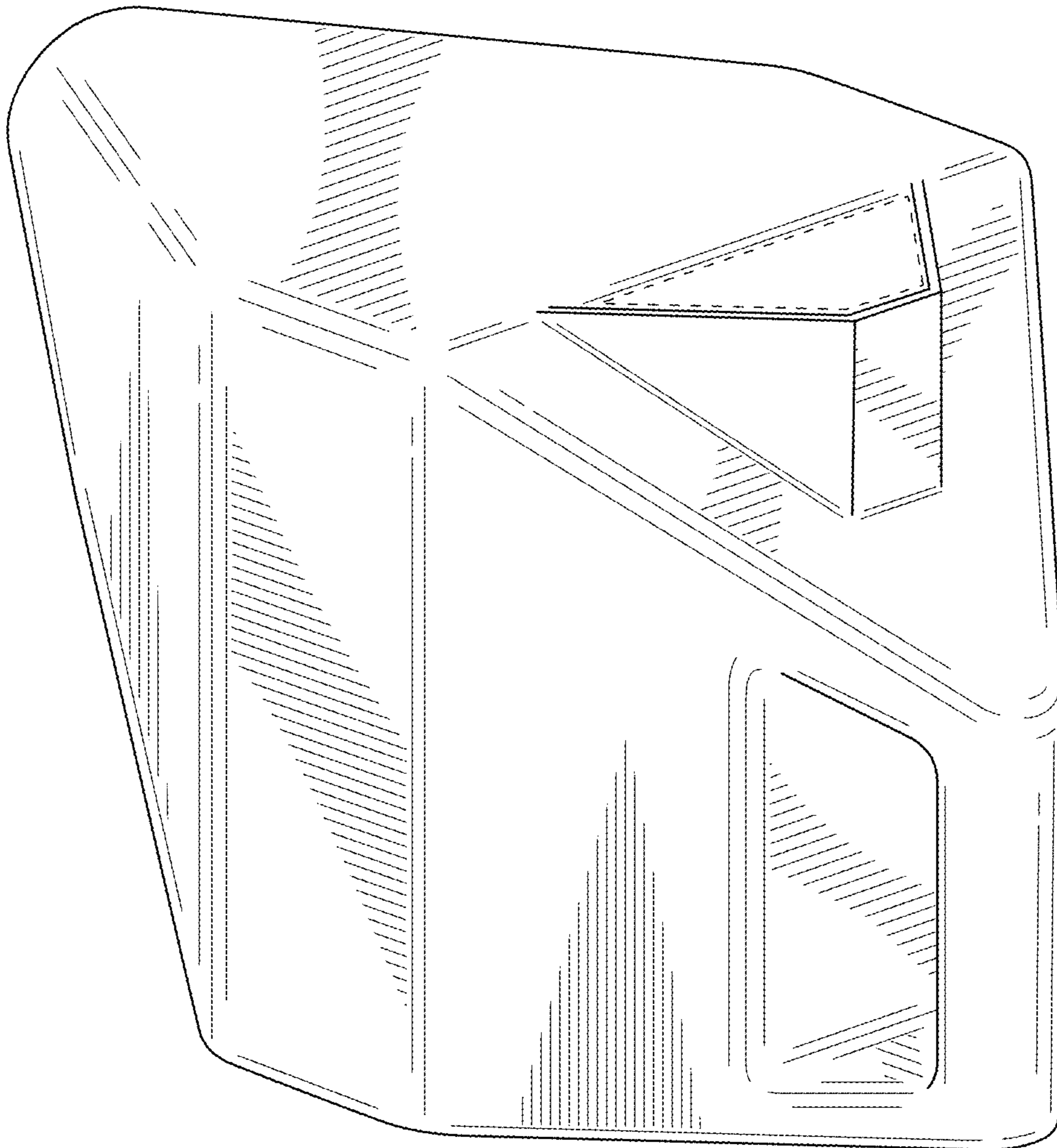


FIG. 1

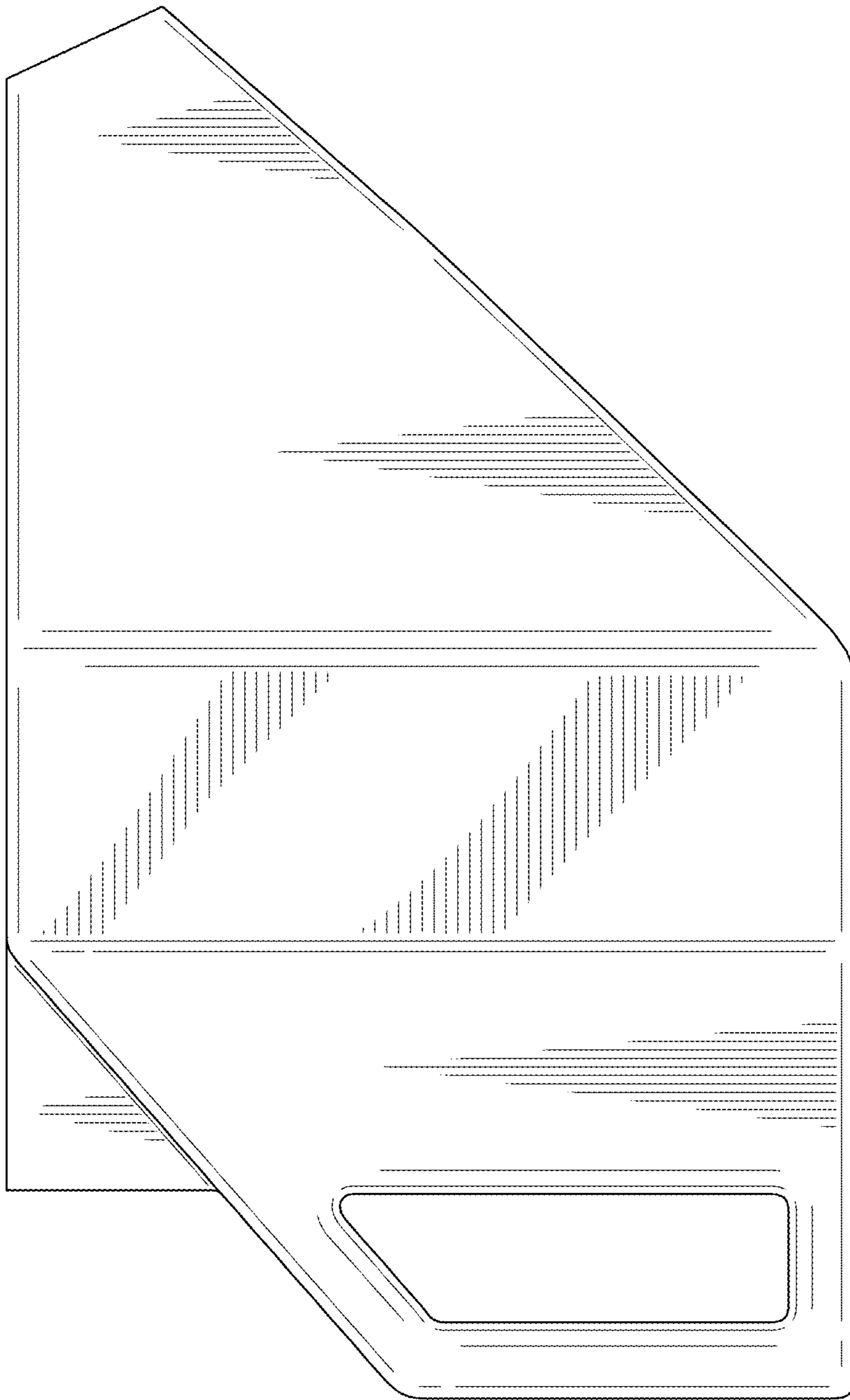


FIG. 2

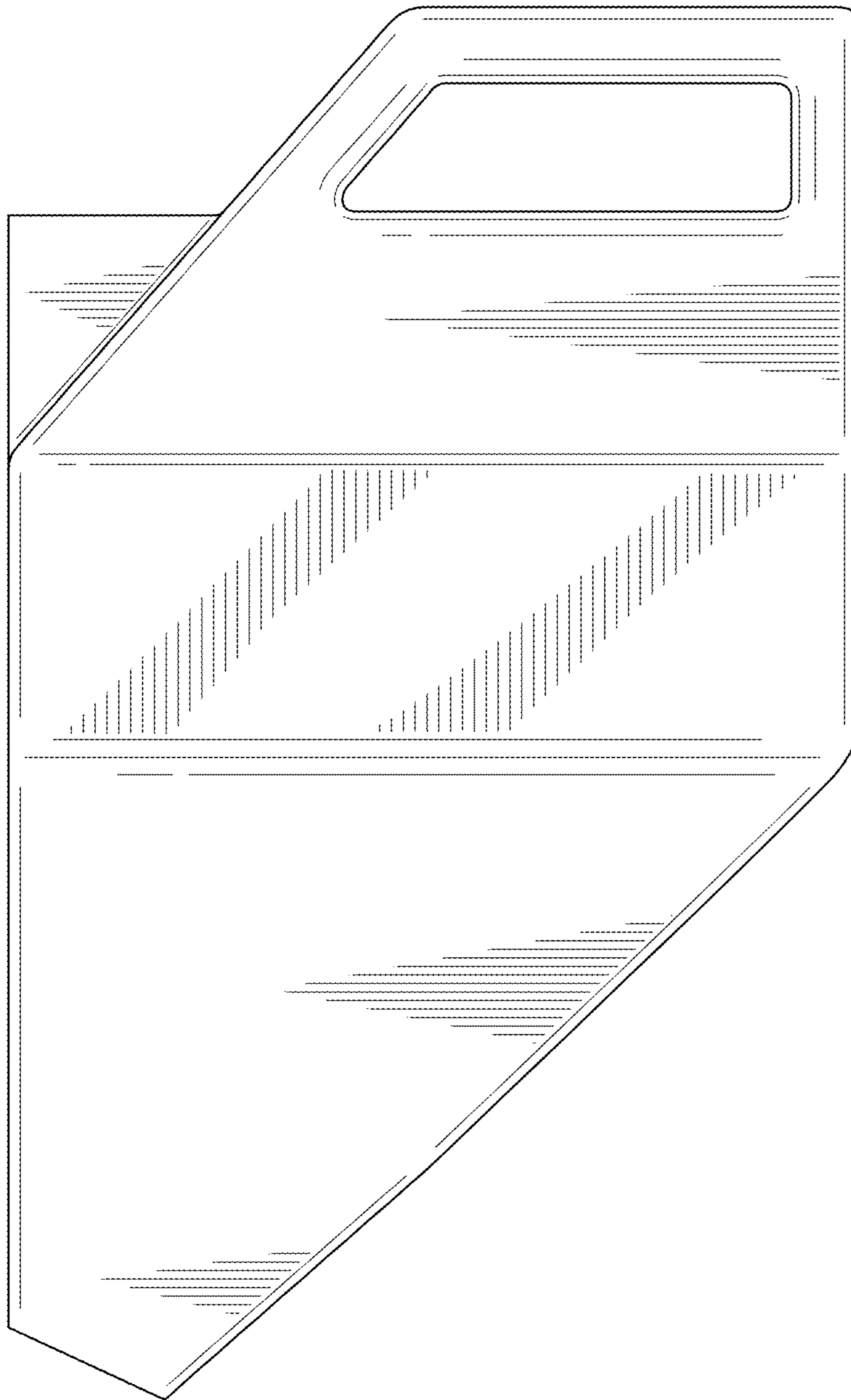


FIG. 3

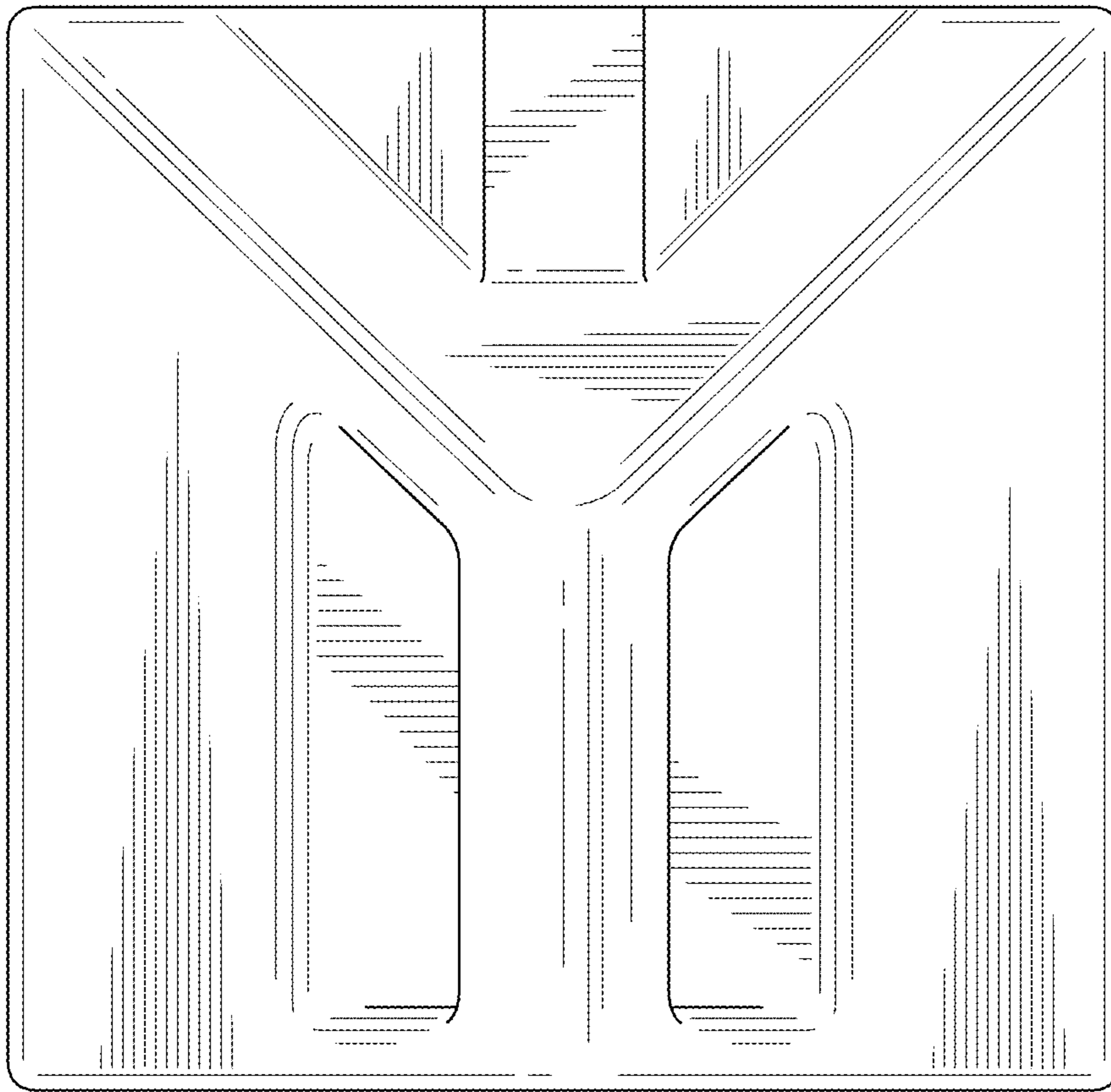


FIG. 4

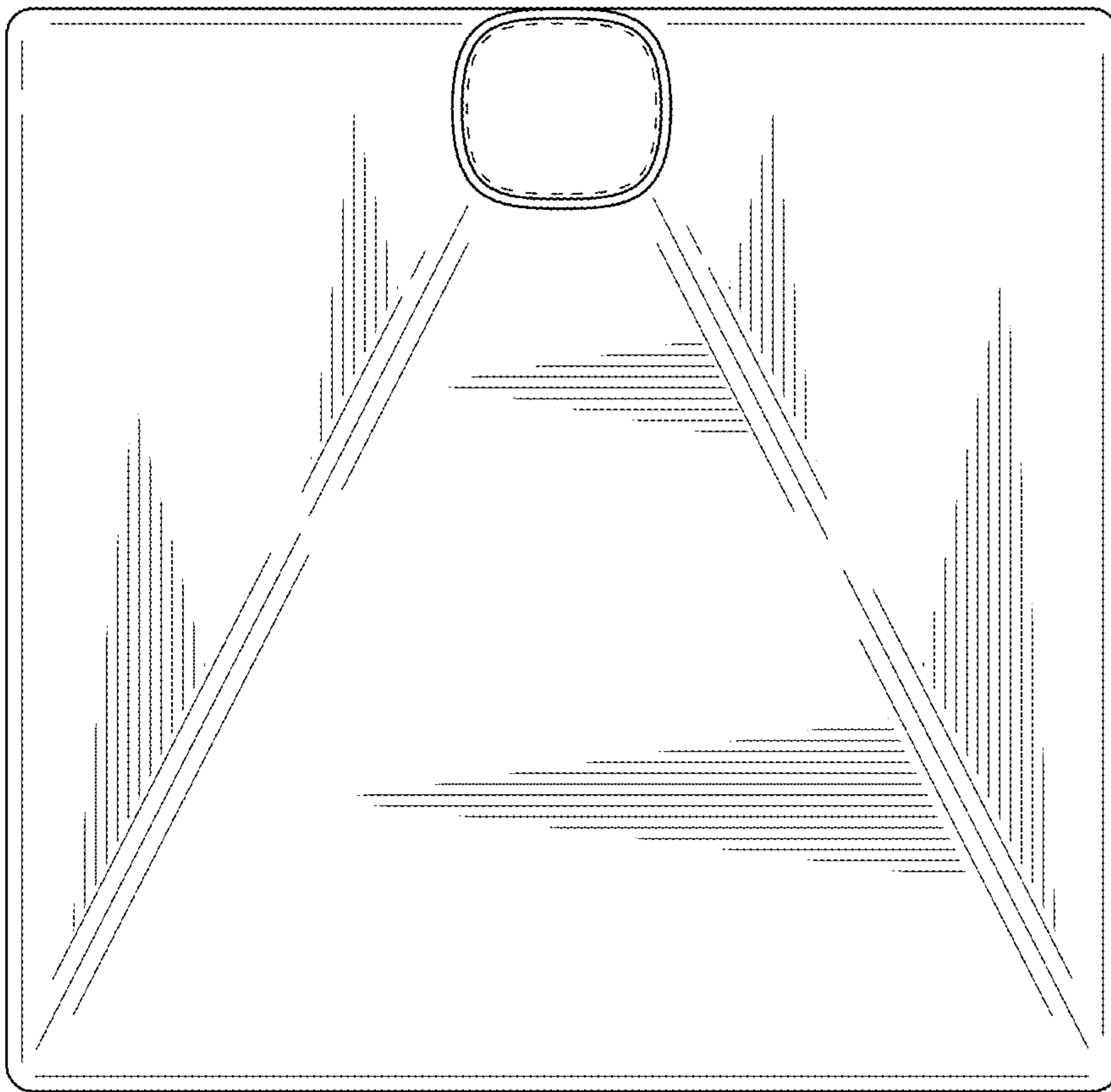


FIG. 5

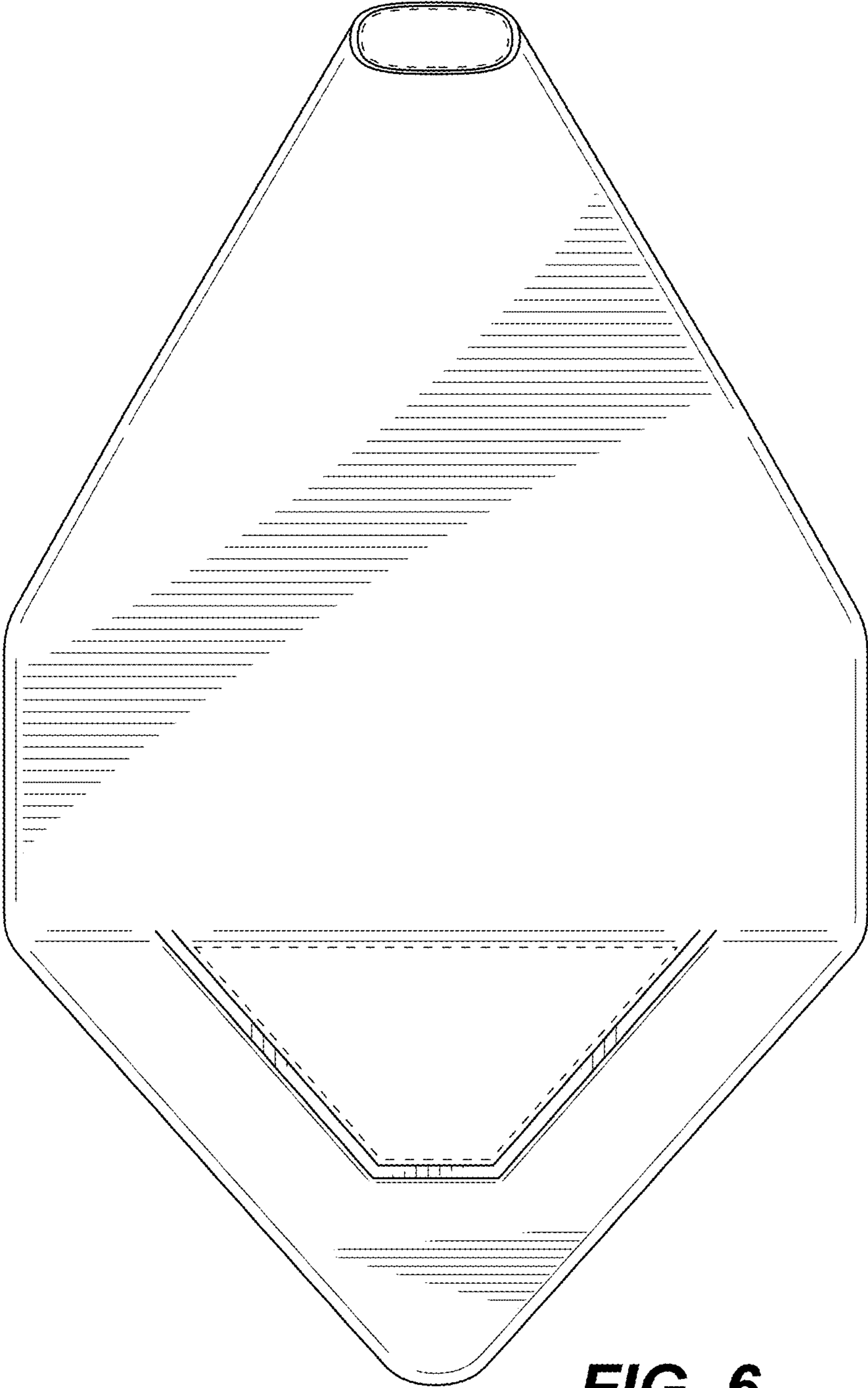


FIG. 6

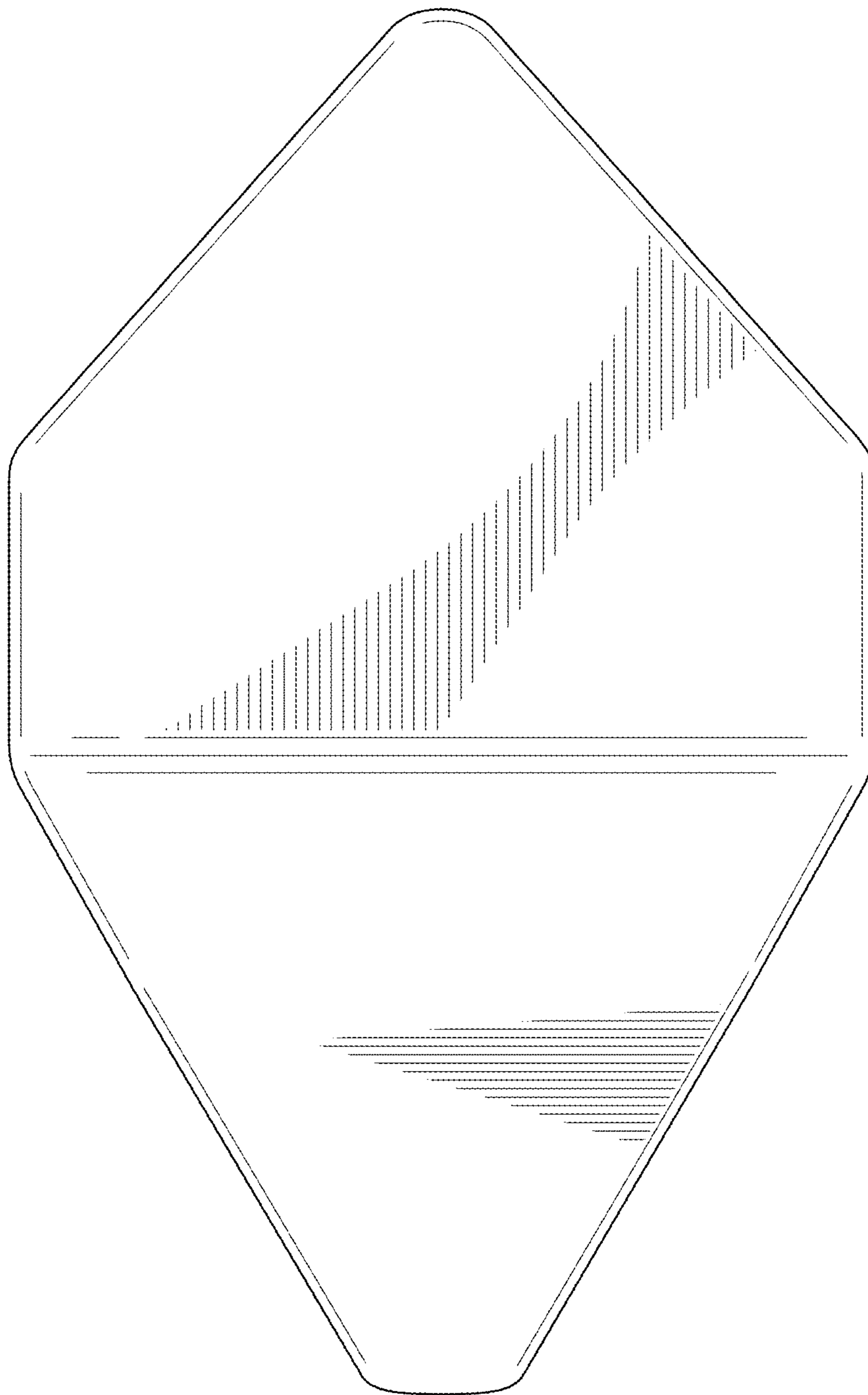


FIG. 7