



US00D831789S

(12) **United States Design Patent**
Dani et al.

(10) **Patent No.:** **US D831,789 S**
(45) **Date of Patent:** **** Oct. 23, 2018**

- (54) **FILTER**
- (71) Applicant: **Brita LP**, Oakland, CA (US)
- (72) Inventors: **Nikhil P. Dani**, Pleasanton, CA (US);
Russell Bell, Pleasanton, CA (US)
- (73) Assignee: **Brita LP**, Oakland, CA (US)
- (**) Term: **15 Years**
- (21) Appl. No.: **29/657,739**
- (22) Filed: **Jul. 25, 2018**

Related U.S. Application Data

- (63) Continuation of application No. 15/756,747, filed as application No. PCT/IB2016/001495 on Sep. 27, 2016.
- (51) **LOC (11) Cl.** **23-01**
- (52) **U.S. Cl.**
USPC **D23/209**
- (58) **Field of Classification Search**
USPC D23/207, 209; 210/435
CPC B01D 27/08; B01D 27/00; B01D 35/30;
B01D 35/00; B01D 35/153; C02F 1/003;
C02F 2307/04
See application file for complete search history.

(56) **References Cited**

U.S. PATENT DOCUMENTS

5,122,270 A	6/1992	Ruger et al.	
D356,142 S	3/1995	Barbour	
6,383,381 B1	5/2002	O'Flynn et al.	
D658,740 S	5/2012	Ickes et al.	
D711,502 S	8/2014	Savoy et al.	
D726,869 S	4/2015	Lepine et al.	
D752,177 S	3/2016	Enomoto et al.	
D755,345 S *	5/2016	Luthi	D23/209

D756,484 S *	5/2016	Johnson	B01D 29/96 D23/209
D762,812 S *	8/2016	Branscomb	D23/209
D767,712 S *	9/2016	Huda	D23/207
D783,773 S	4/2017	Hill et al.	
D792,553 S	7/2017	Hierro	
D794,751 S	8/2017	Zou	
D795,390 S *	8/2017	Huda	B01D 29/96 D23/209
D822,155 S	7/2018	Zou	
10,035,713 B2 *	7/2018	Dani	B01D 35/30
2011/0079572 A1	4/2011	Olson et al.	

FOREIGN PATENT DOCUMENTS

CA	2051056 C	9/1998
CA	2559637 A1	3/2007
CA	2874153 A1	6/2015
CA	2933185 A1	6/2015
CN	201130257825	1/2012
CN	201230188105	10/2012
CN	201230188128	10/2012
CN	201330428736	3/2014

(Continued)

OTHER PUBLICATIONS

Hutton, I.M., 2007, Handbook of Nonwoven Filter Media (1st ed), pp. 96-99.

Primary Examiner — Robin V Webster
(74) *Attorney, Agent, or Firm* — Thomas C. Feix

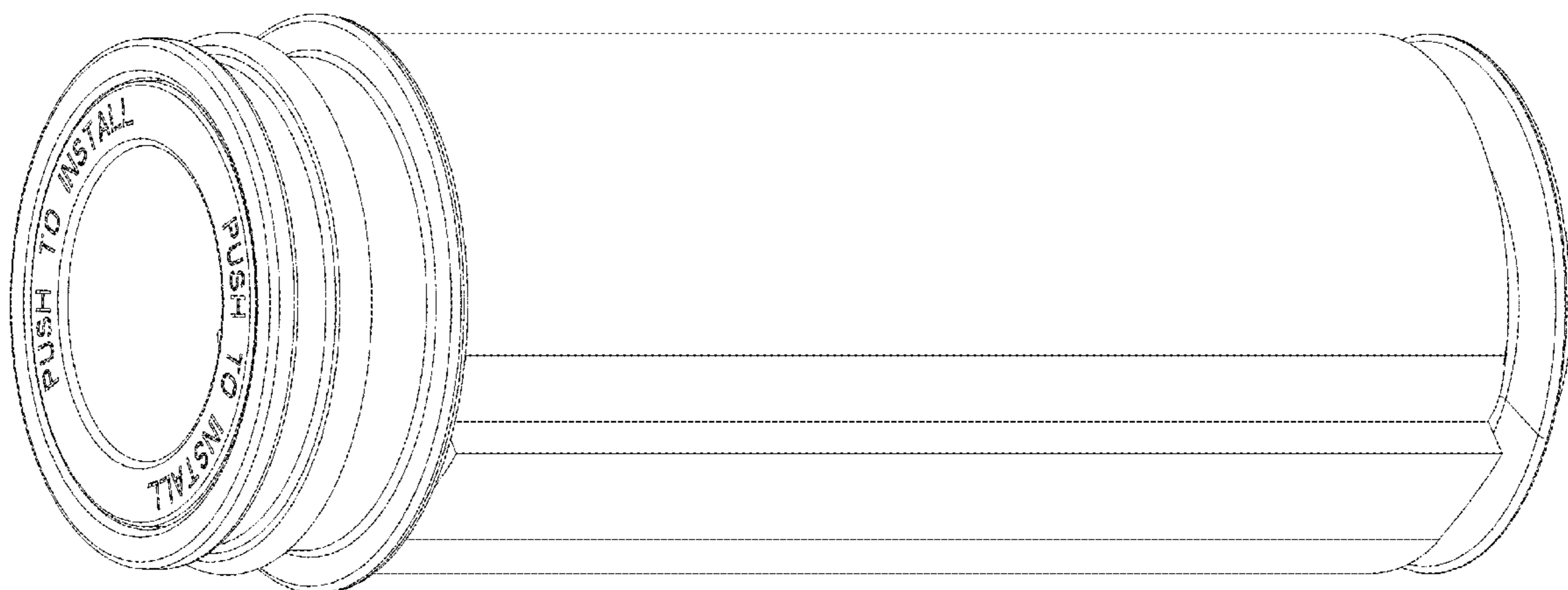
(57) **CLAIM**

The ornamental design for a filter, as shown.

DESCRIPTION

FIG. 1 is a top front perspective view of a filter showing the claimed design;
FIG. 2 is a bottom rear perspective view thereof; and,
FIG. 3 is a side view thereof.

1 Claim, 3 Drawing Sheets



(56)

References Cited

FOREIGN PATENT DOCUMENTS

CN	201430561227	7/2015
CN	201530301591	3/2016
CN	201630174650	11/2016
CN	201630511632	3/2017
CN	201630660084	9/2017
CN	201730177695	9/2017
GB	2268680 A	1/1994
GB	2284563 A	6/1995
KR	3020050002025	8/2005
KR	3020050002041	8/2005
KR	3020100046497	3/2012
KR	3020150054228	1/2016
KR	3020170045803	7/2018
WO	WO199835738 A1	8/1998
WO	WO200701468 A1	1/2000
WO	WO2015073144 A1	5/2015
WO	WO2015094741 A1	6/2015

* cited by examiner

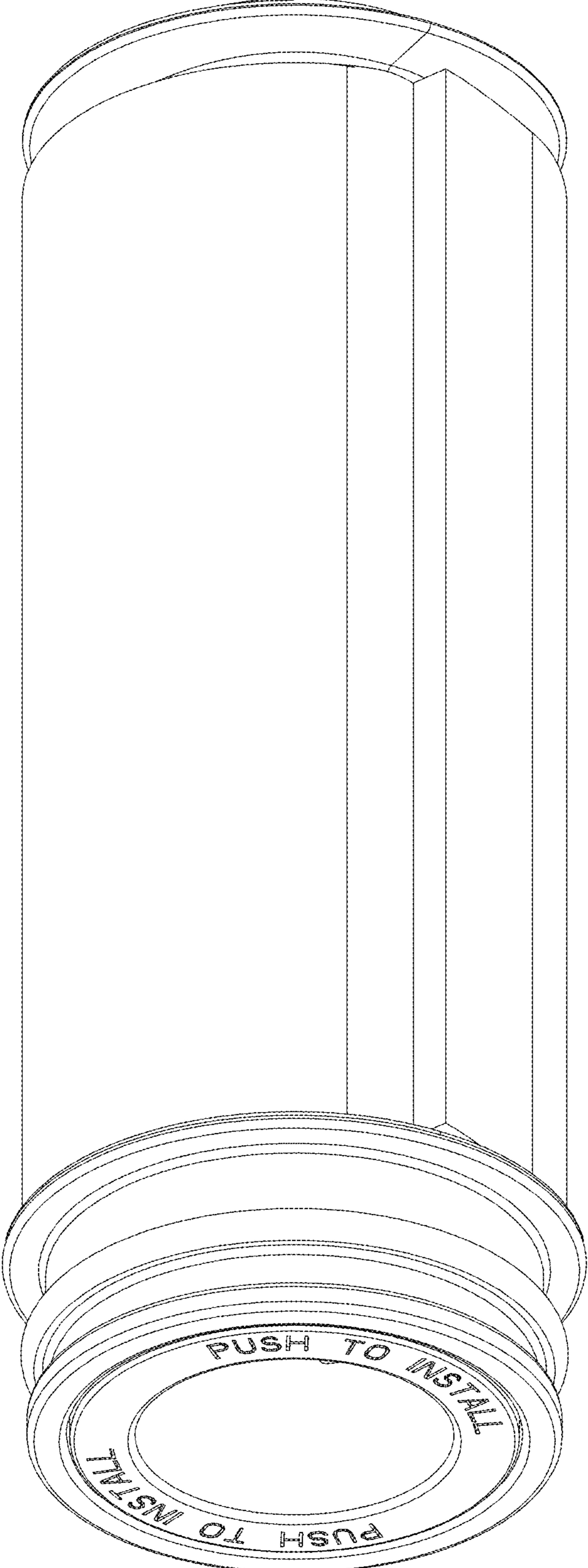
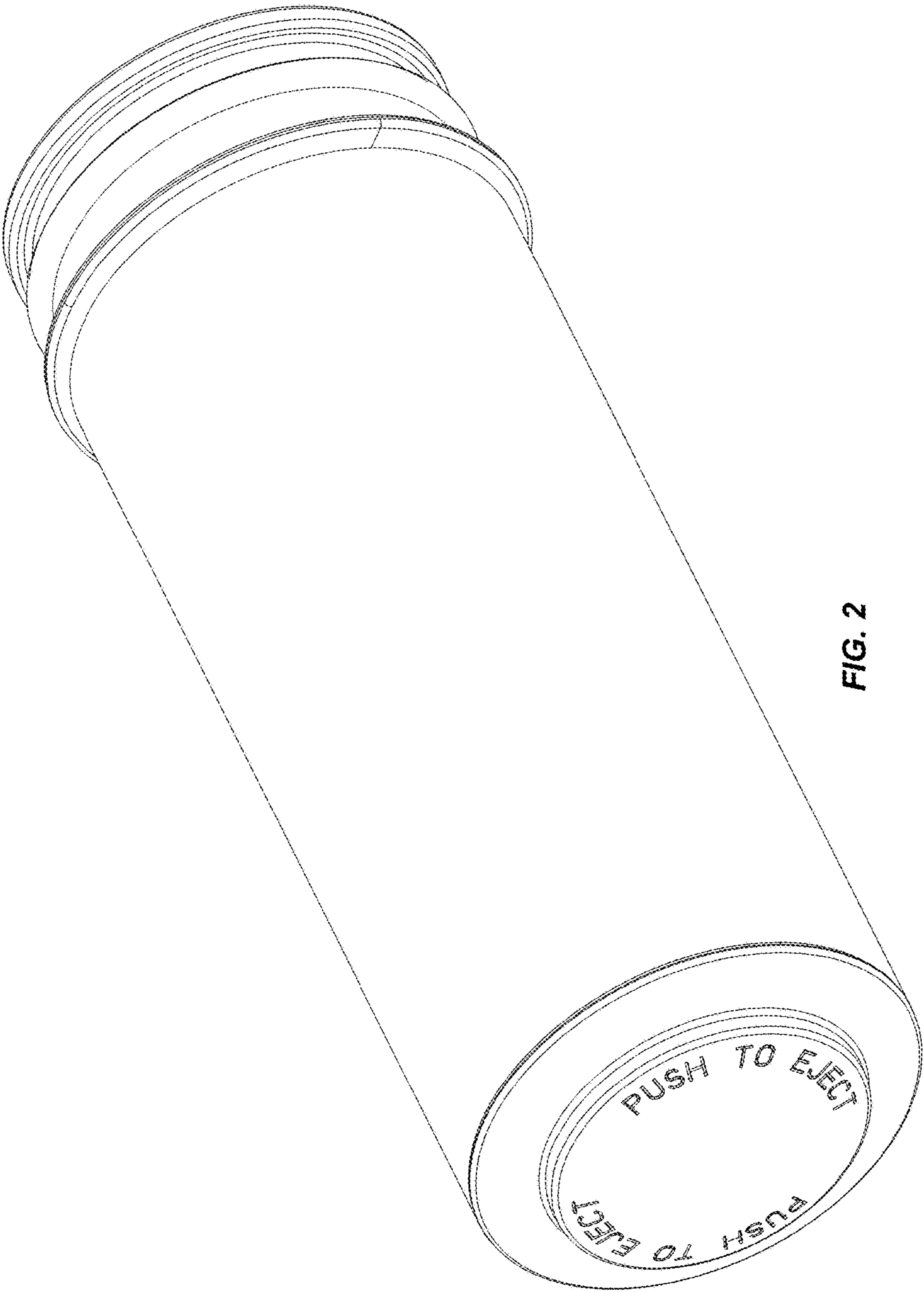


FIG. 1



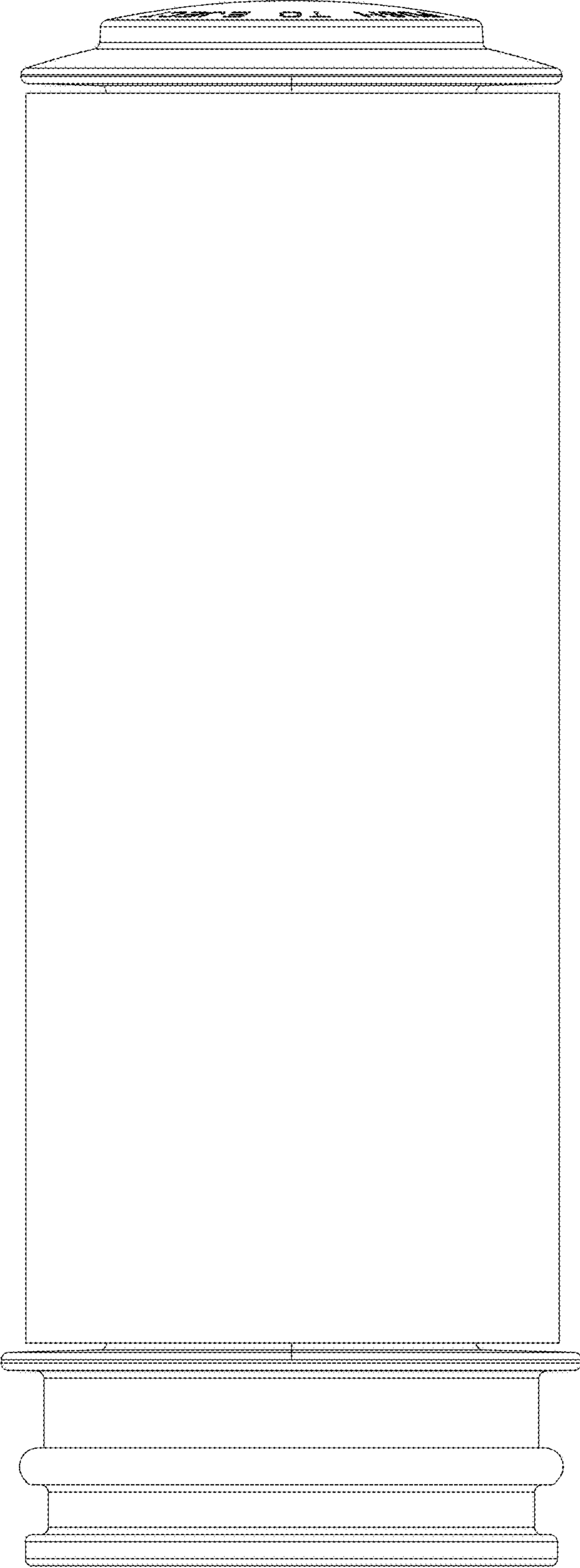


FIG. 3