



US00D831787S

(12) **United States Design Patent**
Luo et al.

(10) **Patent No.:** **US D831,787 S**
(45) **Date of Patent:** **** Oct. 23, 2018**

(54) **CASSETTE FILTER MANIFOLD**

(74) *Attorney, Agent, or Firm* — Mei & Mark LLP

(71) Applicant: **TIANJIN YUNDA INDUSTRY AND TRADE CO., LTD.**, Tianjin (CN)

(72) Inventors: **Lin Luo**, Tianjin (CN); **Fugen Zhang**, Tianjin (CN)

(73) Assignee: **TIANJIN YUNDA INDUSTRY AND TRADE CO., LTD.**, Tianjin (CN)

(**) Term: **15 Years**

(21) Appl. No.: **29/609,391**

(22) Filed: **Jul. 14, 2017**

(51) **LOC (11) Cl.** **23-01**

(52) **U.S. Cl.**
USPC **D23/209**

(58) **Field of Classification Search**
USPC D23/207, 209, 365
CPC . C02F 1/003; C02F 1/42; B01D 35/30; B01D 35/153; B01D 29/111; B01D 39/12; B29C 47/682

See application file for complete search history.

(56) **References Cited**

U.S. PATENT DOCUMENTS

D656,578 S	3/2012	Sherman	
D656,579 S	3/2012	Sherman	
D656,580 S	3/2012	Sherman	
D762,813 S *	8/2016	Lu	D23/209
D774,623 S *	12/2016	Lu	D23/209

* cited by examiner

Primary Examiner — Robin V Webster

(57) **CLAIM**

The ornamental design for a cassette filter manifold, as shown and described.

DESCRIPTION

FIG. 1 is a perspective view of a cassette filter manifold according the present invention, depicted along with a filter for context;

FIG. 2 is a front view thereof

FIG. 3 is a rear view thereof;

FIG. 4 is a left view thereof;

FIG. 5 is a right view thereof;

FIG. 6 is a top view thereof; and

FIG. 7 is a bottom view thereof.

FIG. 8 is a perspective view of a cassette filter manifold according the present invention;

FIG. 9 is a front view thereof;

FIG. 10 is a rear view thereof;

FIG. 11 is a left view thereof;

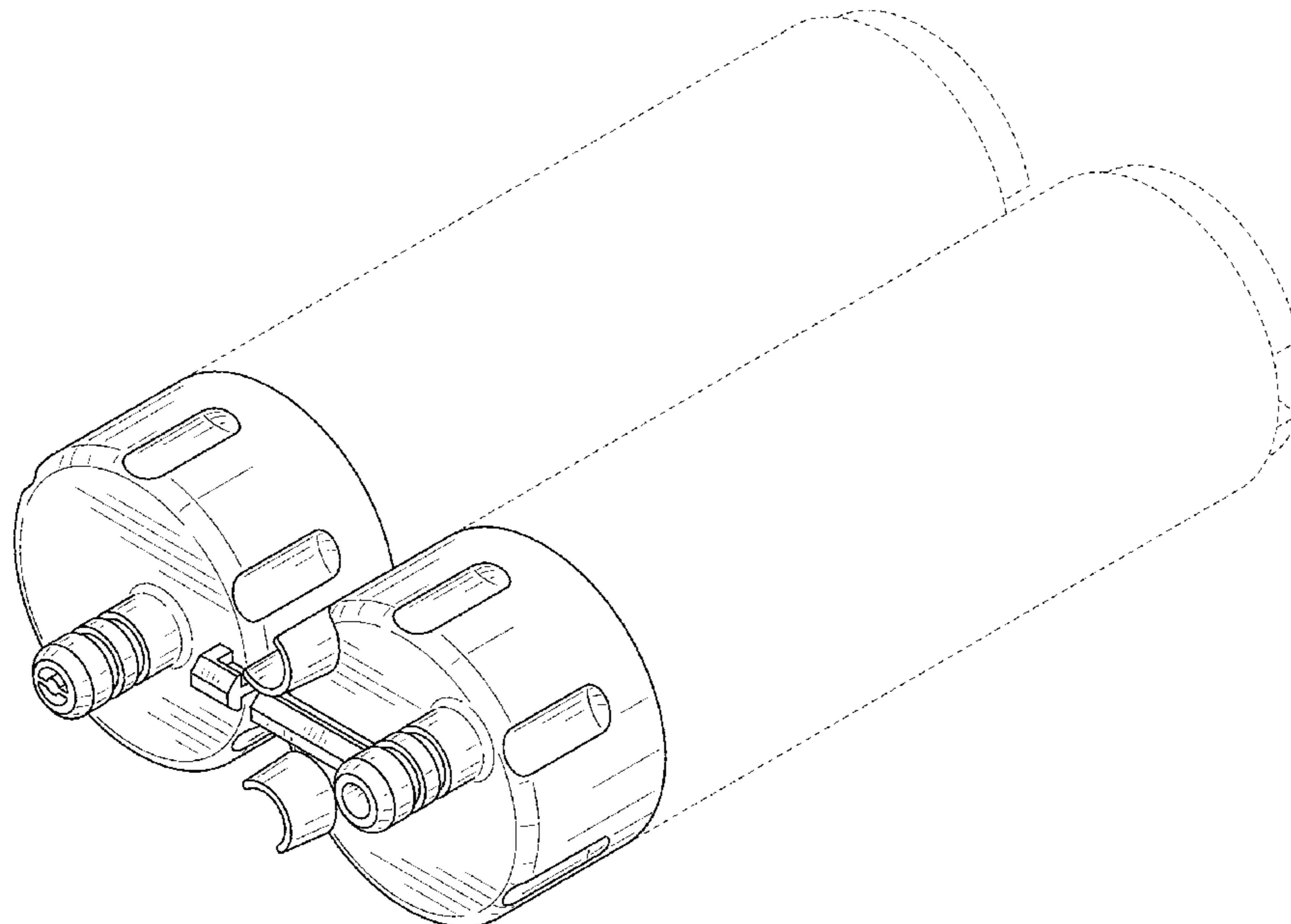
FIG. 12 is a right view thereof;

FIG. 13 is a top view thereof; and,

FIG. 14 is a bottom view thereof.

Portions that are shown as broken lines are for illustrative purposes only and form no part of the claimed design. Portions not shown in the drawings are not visible during use and form no part of the claimed design.

1 Claim, 14 Drawing Sheets



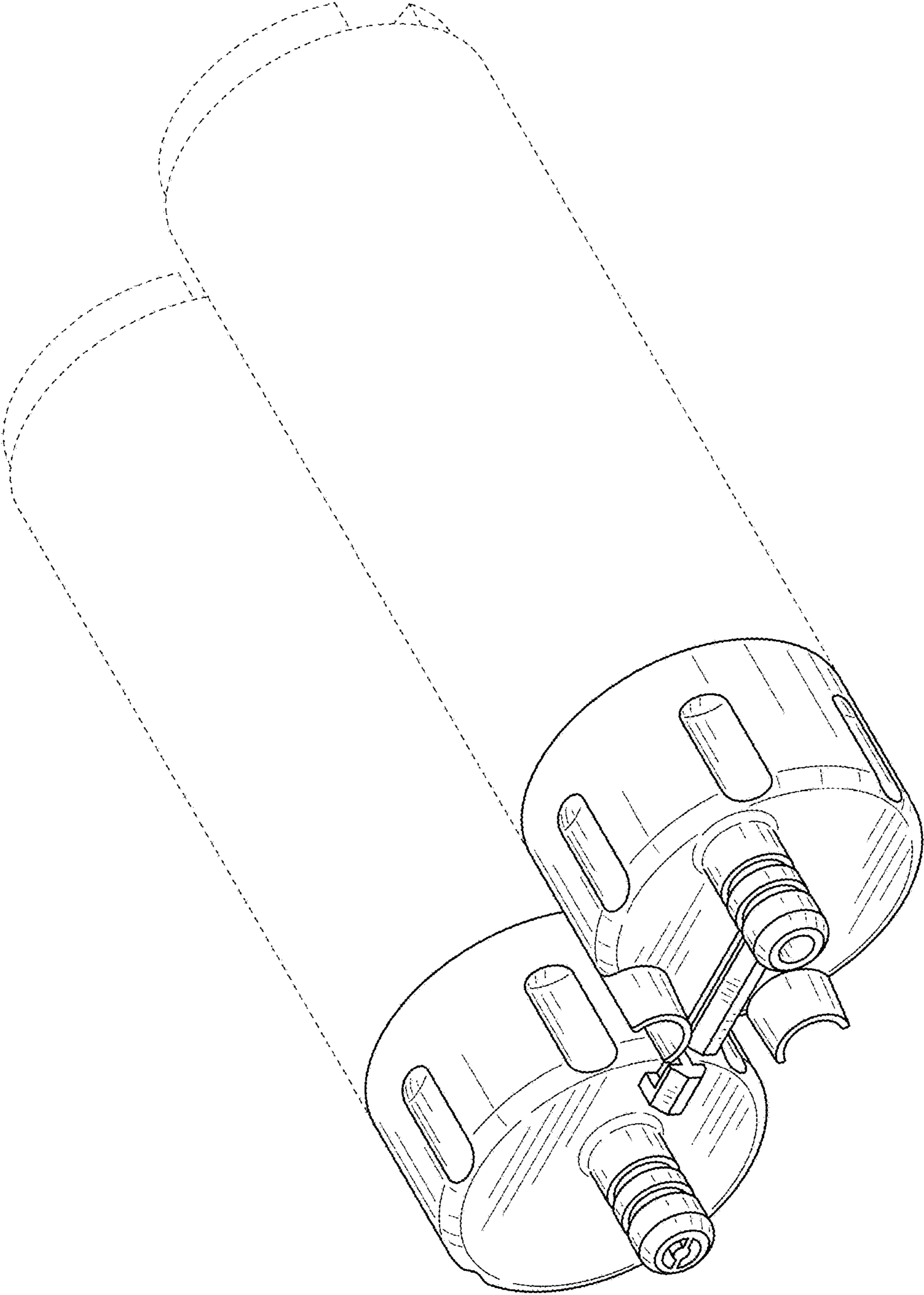


FIG. 1

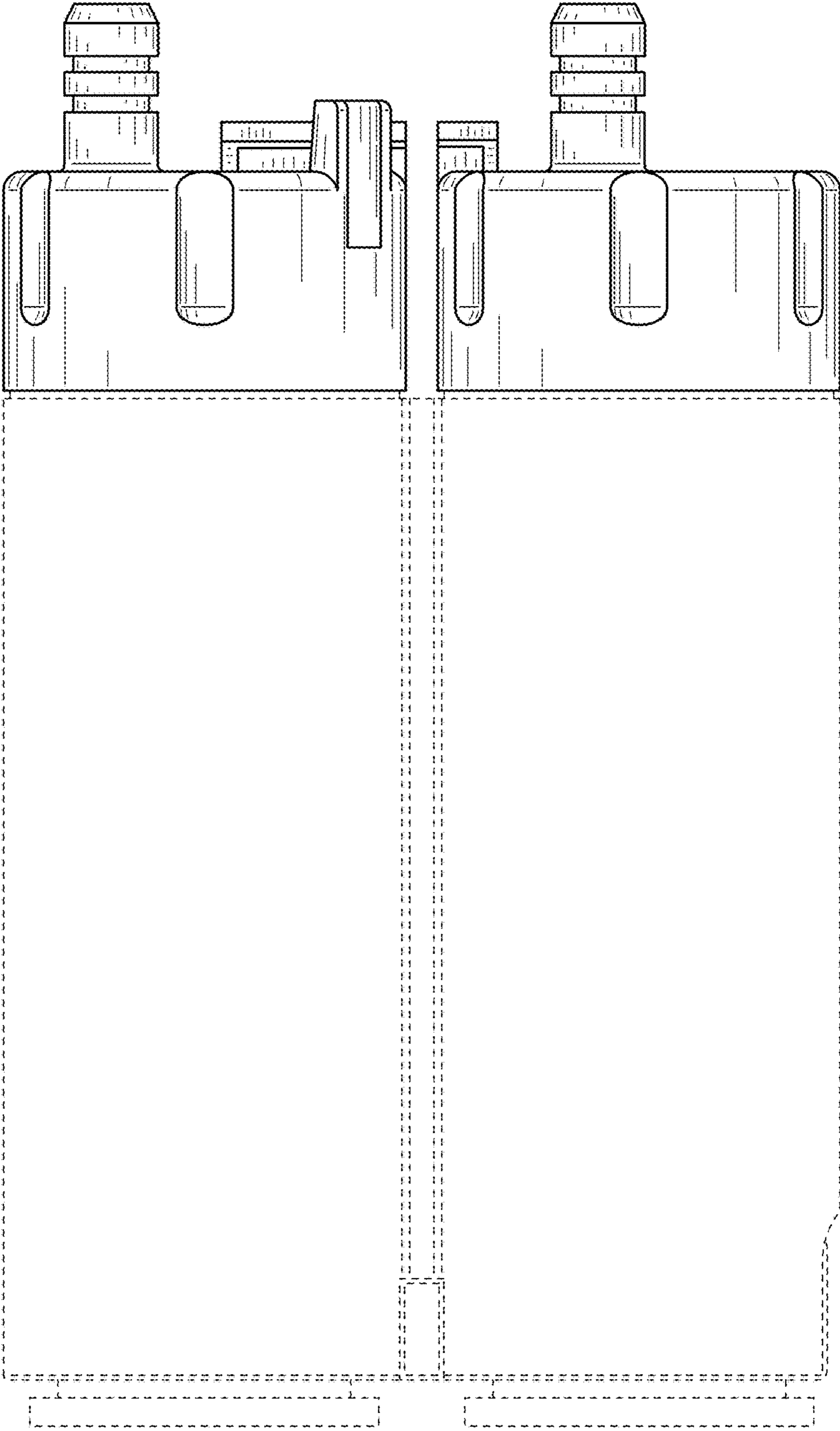


FIG. 2

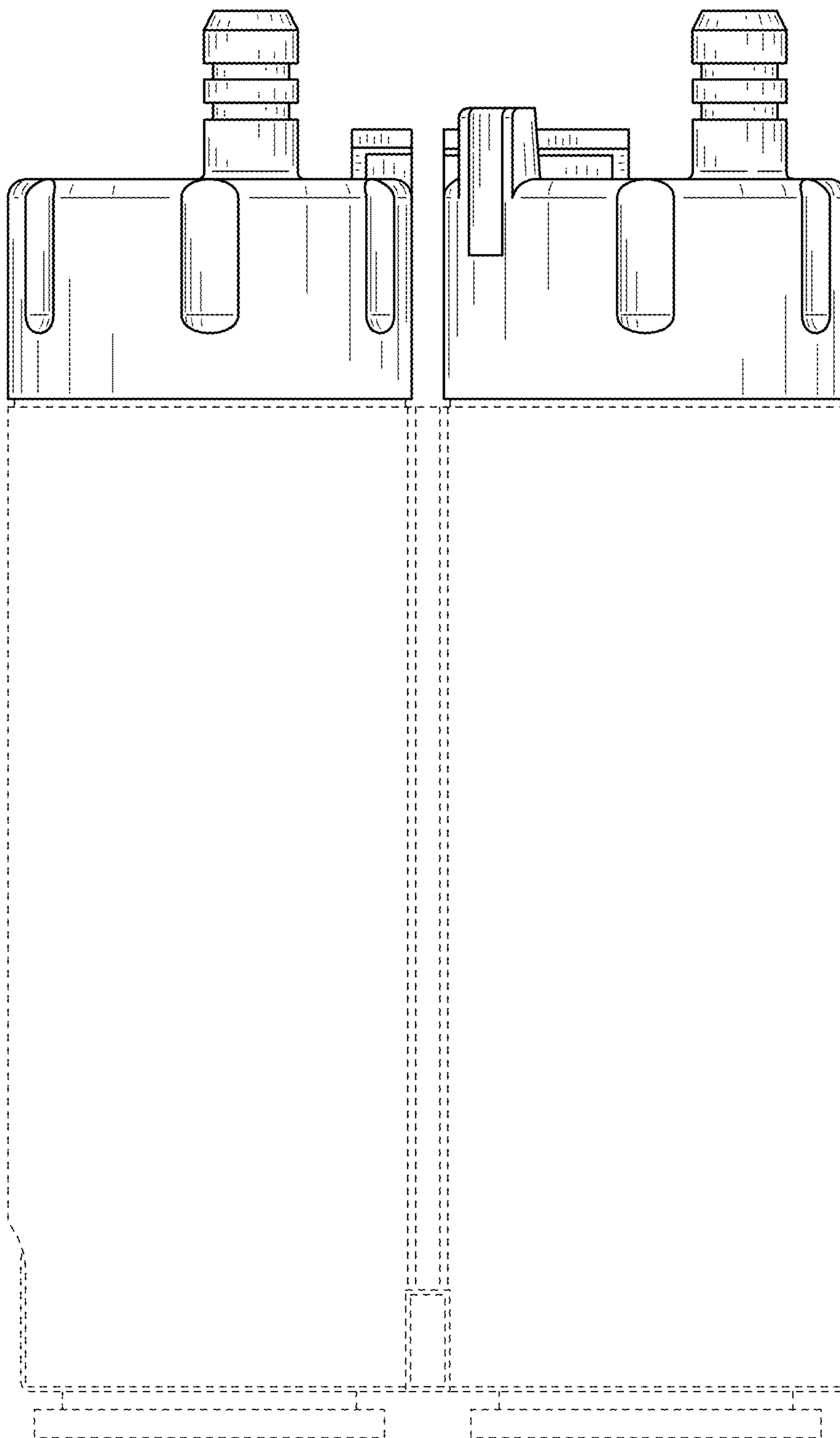


FIG. 3

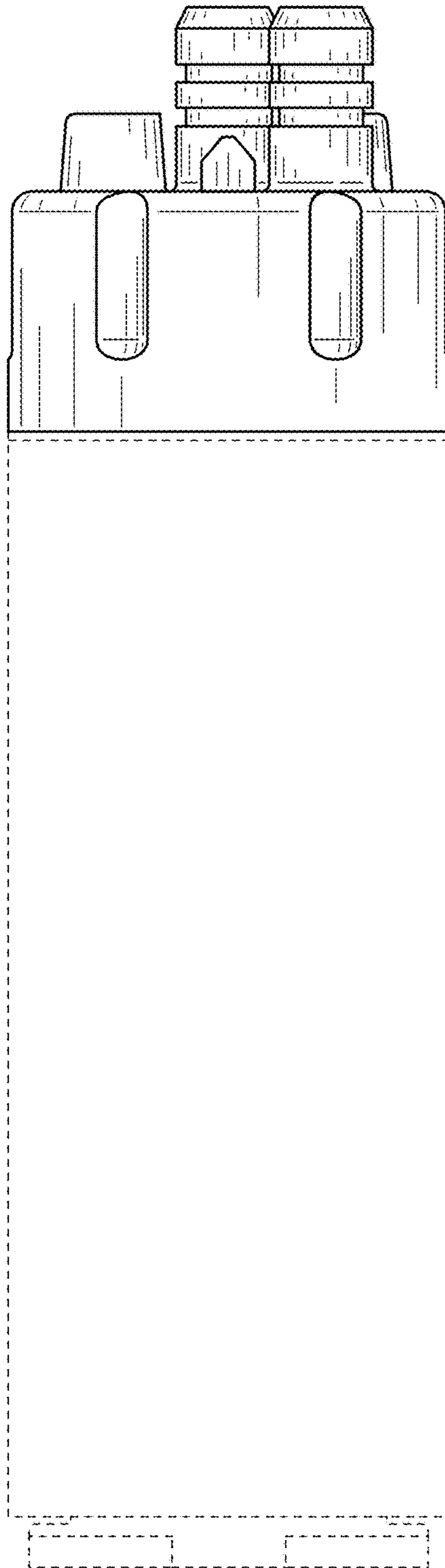


FIG. 4

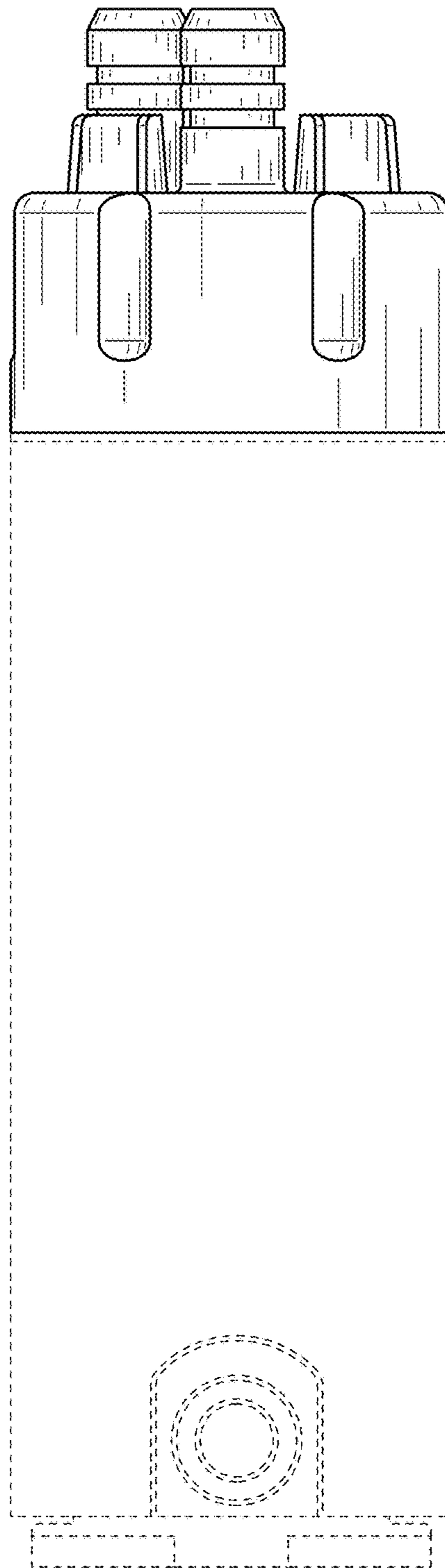


FIG. 5

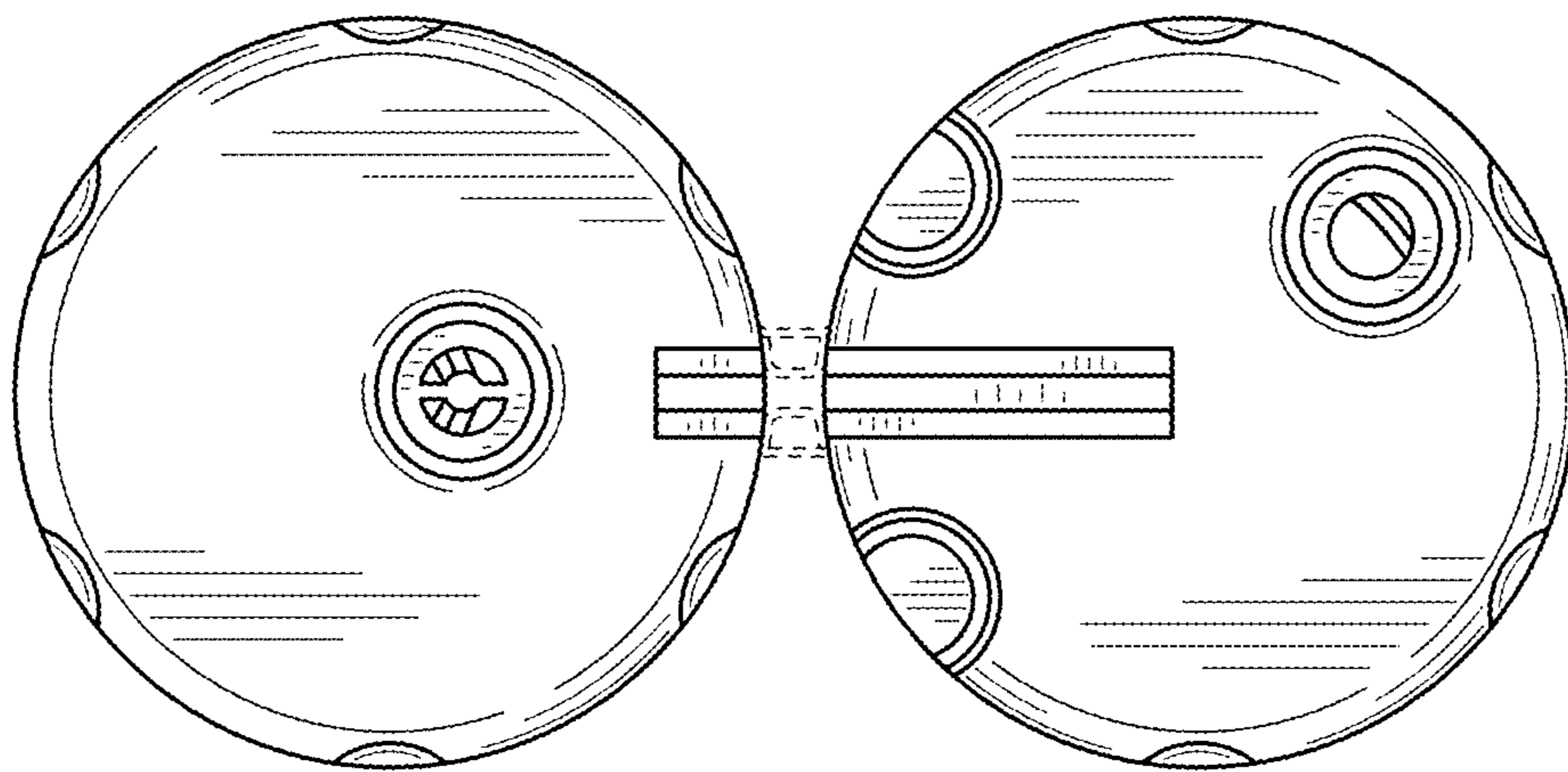


FIG. 6

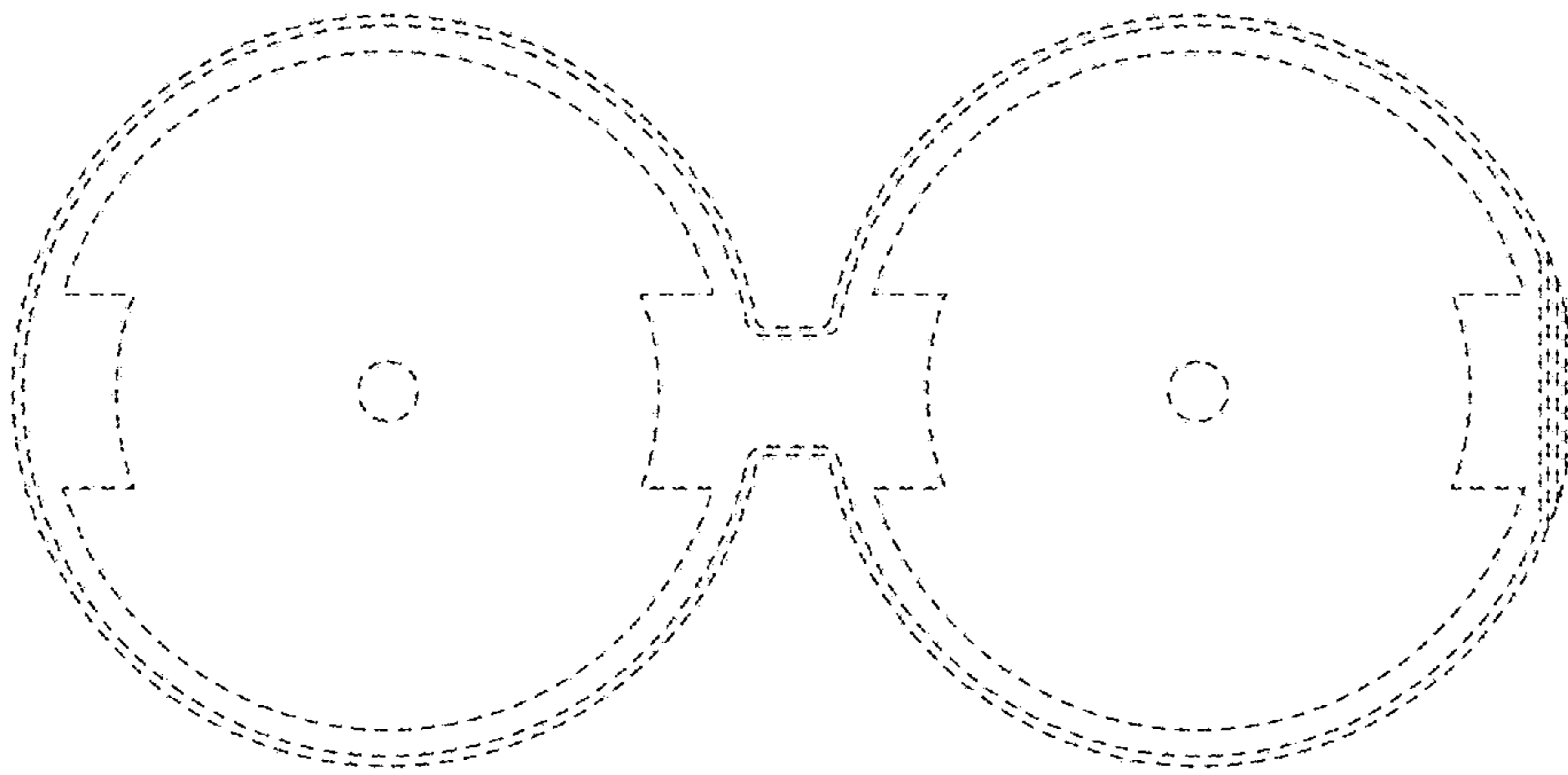


FIG. 7

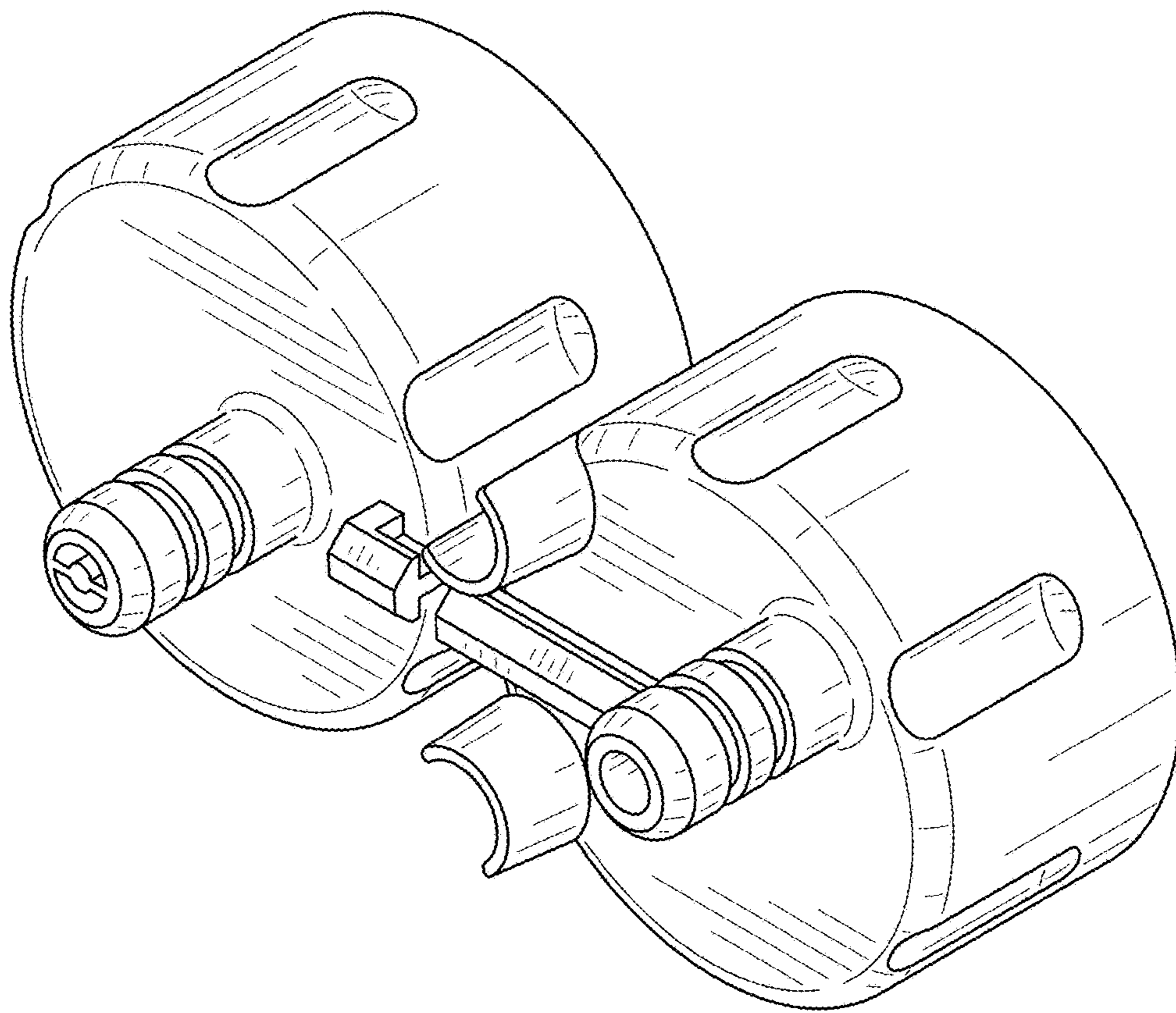


FIG. 8

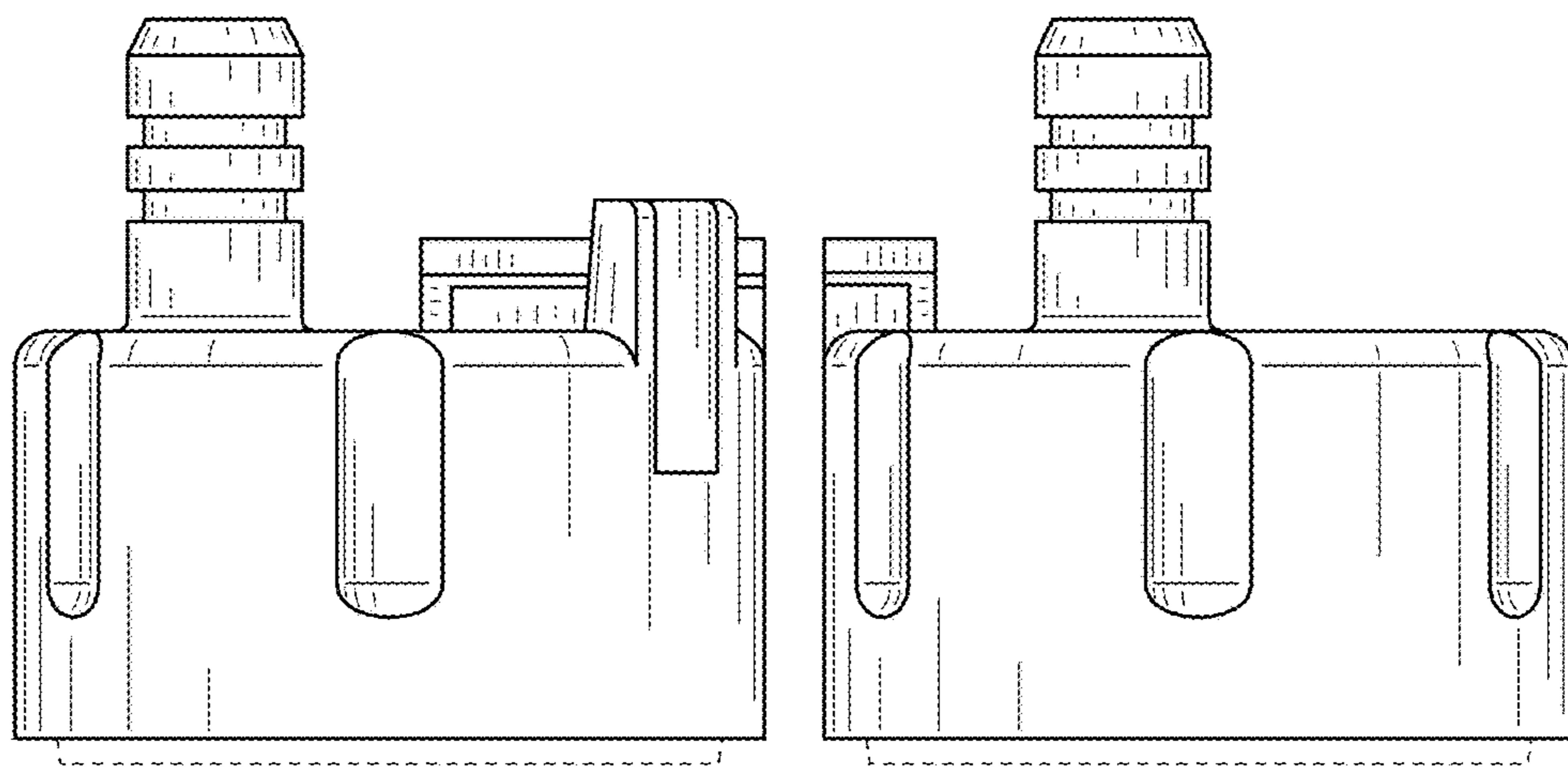


FIG. 9

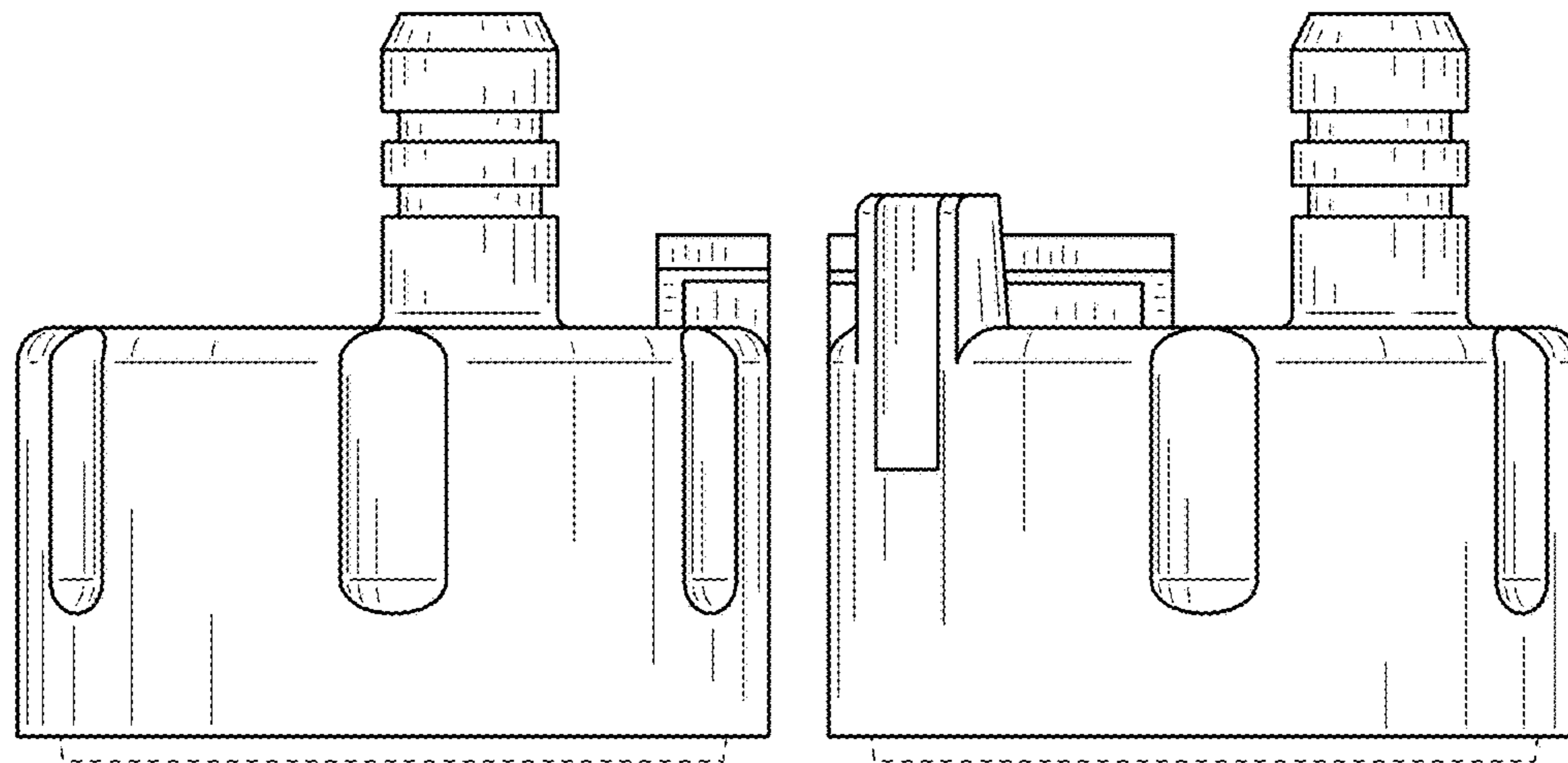


FIG. 10

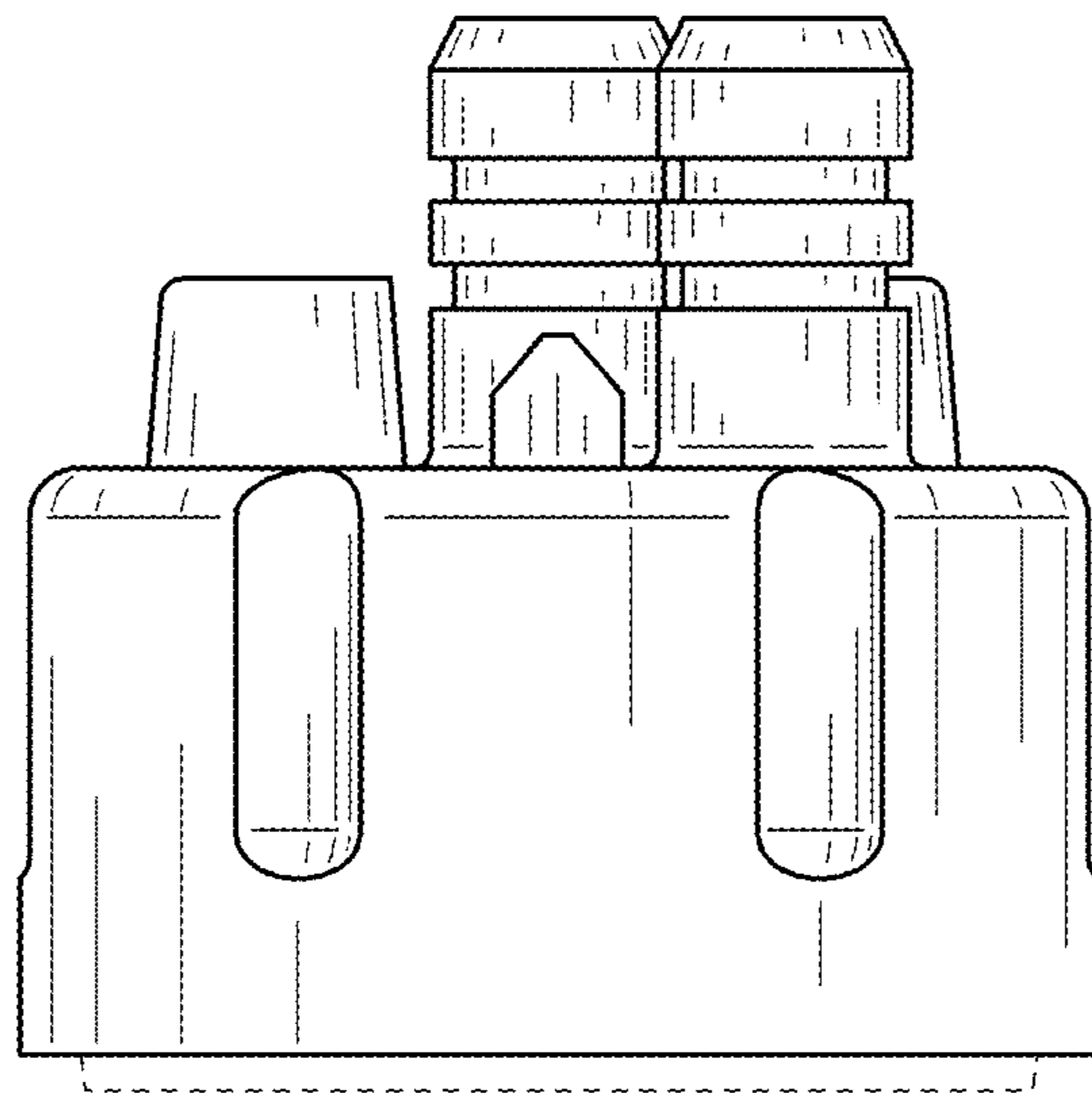


FIG. 11

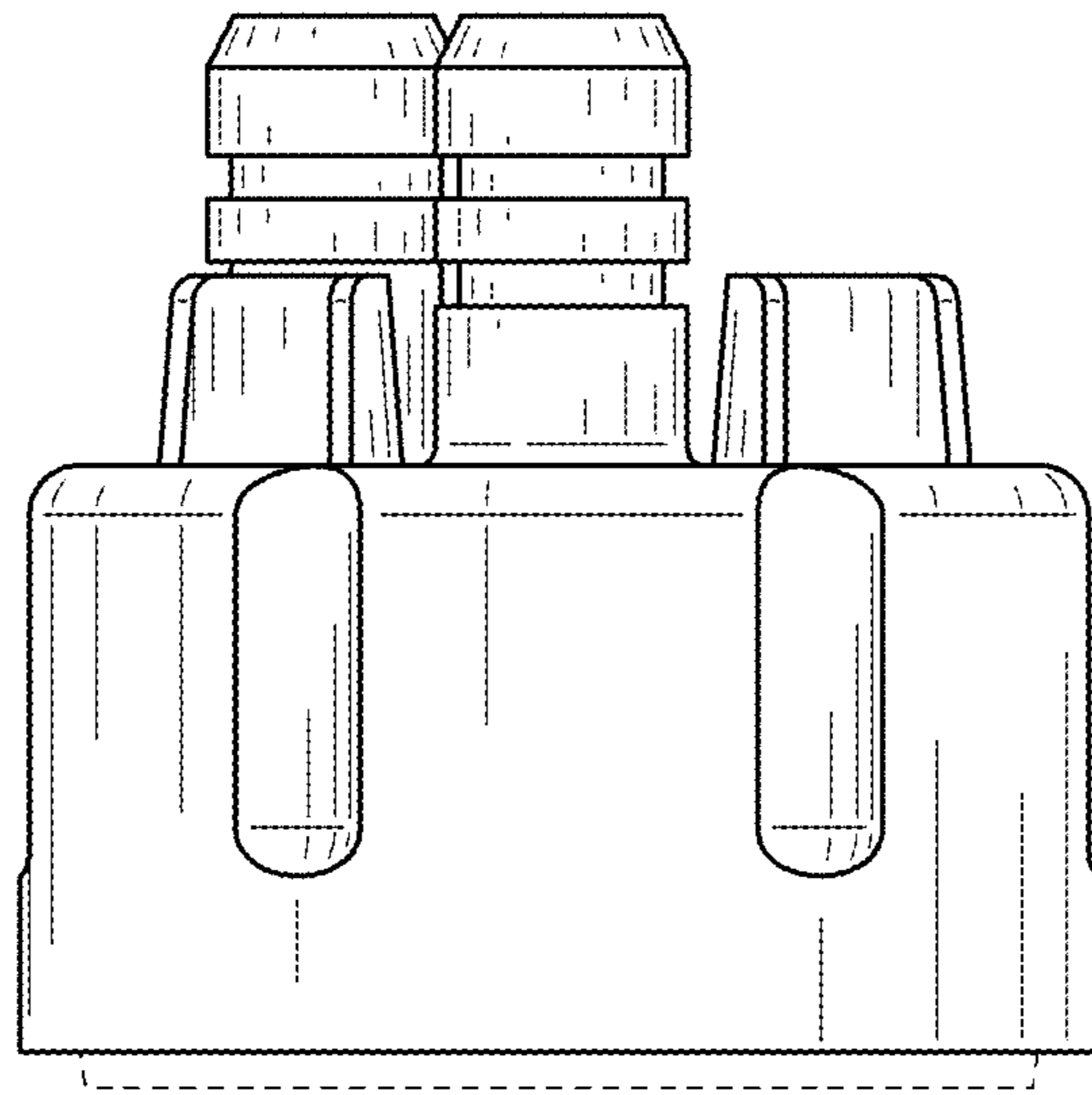


FIG. 12

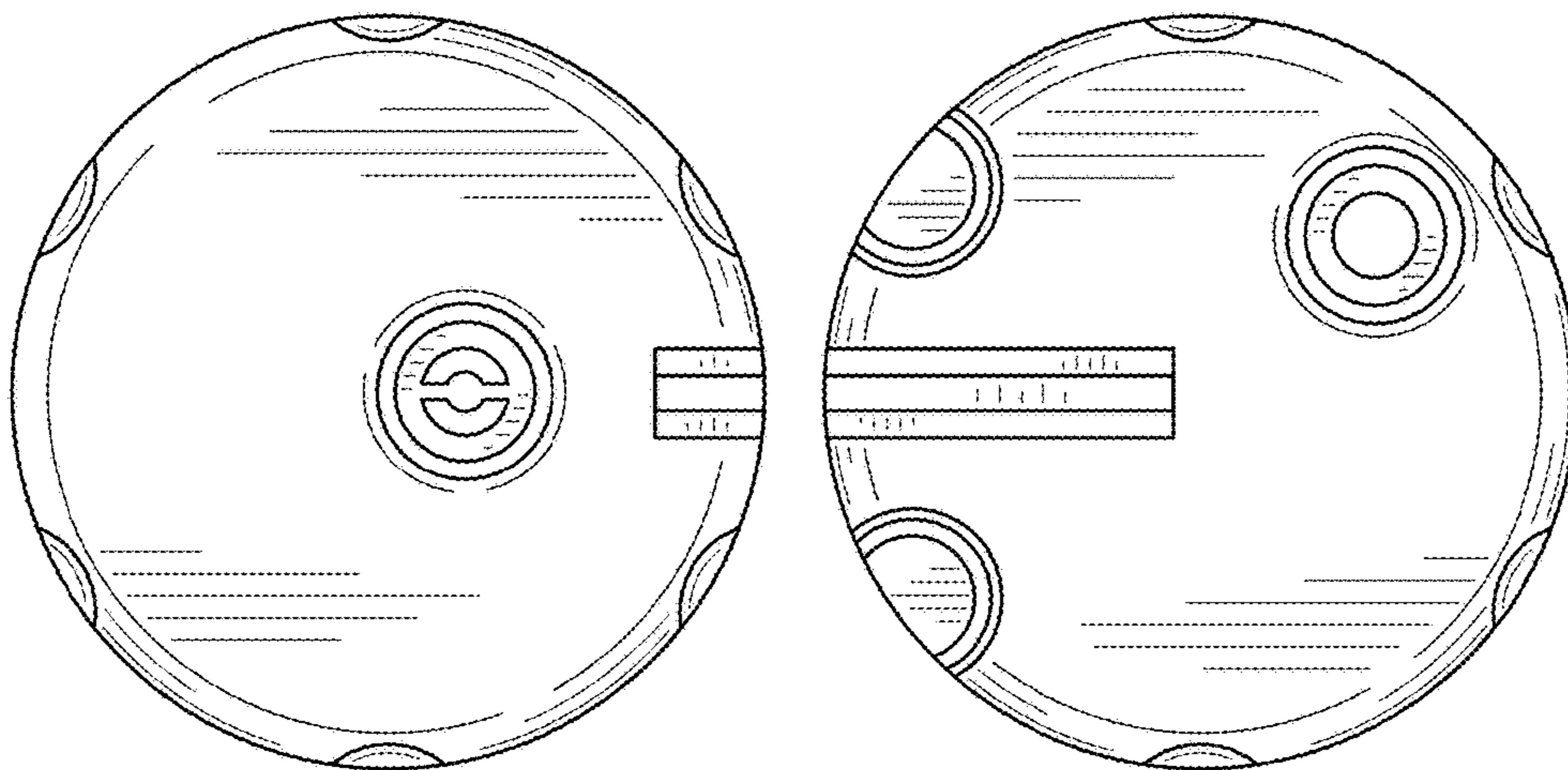


FIG. 13

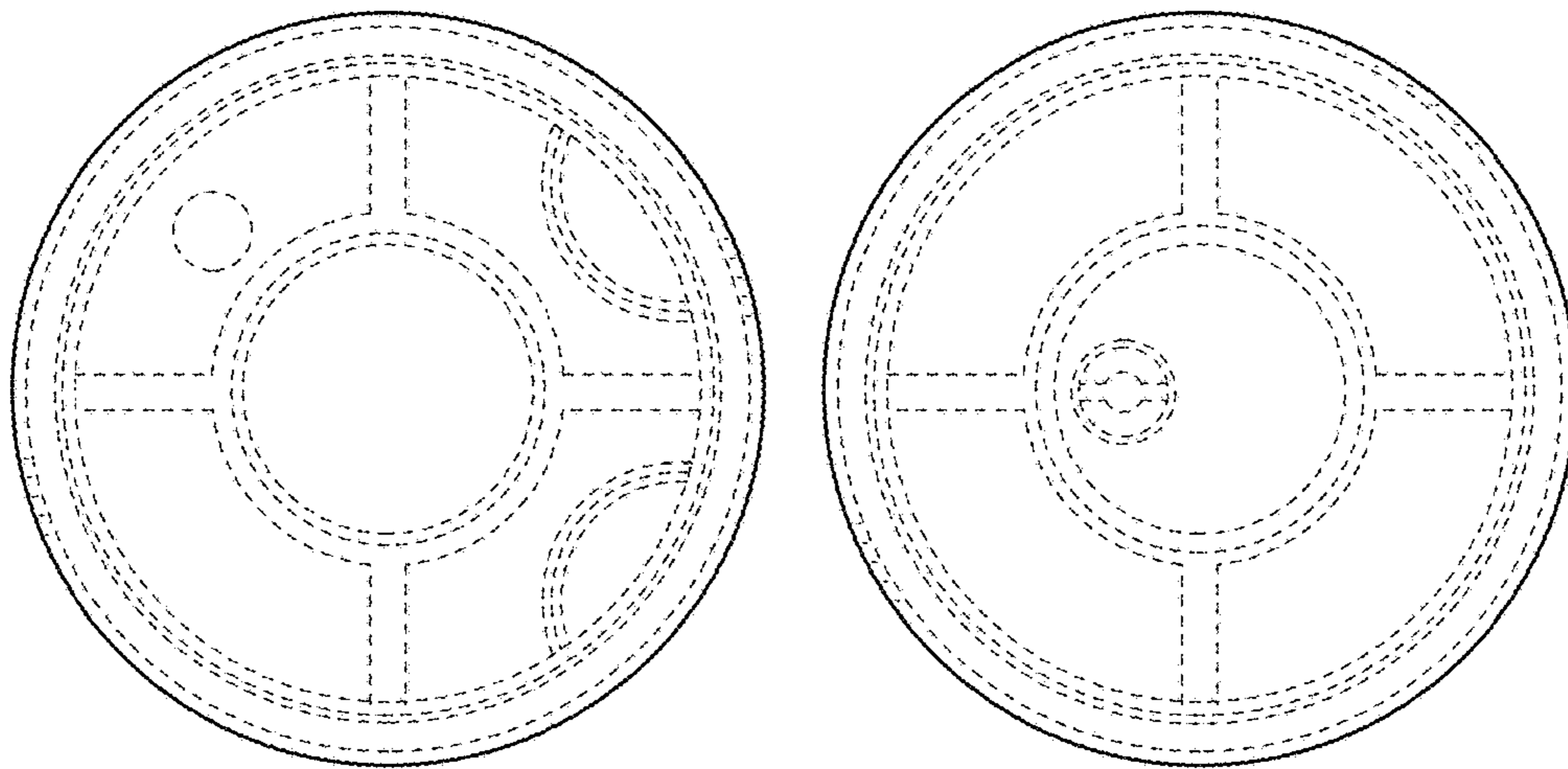


FIG. 14