



US00D831785S

(12) **United States Design Patent** (10) **Patent No.:** **US D831,785 S**
Atwell et al. (45) **Date of Patent:** **** *Oct. 23, 2018**

- (54) **WATER FILTER STAND**
- (71) Applicants: **Jacob Christopher Atwell**, Greensboro, NC (US); **Brandon Wayne Blakely**, Burlington, NC (US)
- (72) Inventors: **Jacob Christopher Atwell**, Greensboro, NC (US); **Brandon Wayne Blakely**, Burlington, NC (US)
- (73) Assignee: **Camco Manufacturing, Inc.**, Greensboro, NC (US)
- (*) Notice: This patent is subject to a terminal disclaimer.
- (**) Term: **15 Years**
- (21) Appl. No.: **29/505,998**
- (22) Filed: **May 16, 2016**
- (51) **LOC (11) Cl.** **23-01**
- (52) **U.S. Cl.**
USPC **D23/209**
- (58) **Field of Classification Search**
USPC D23/208, 209, 211, 214, 215; D6/512, D6/551, 556, 672, 680, 680.1
CPC . A47G 7/02; A47G 29/00; A47J 47/16; E63B 3/00
See application file for complete search history.

D763,021 S *	8/2016	Eddershaw	D6/680
D779,632 S *	2/2017	Johnson	D23/209
2007/0295683 A1 *	12/2007	Anker	A47J 47/16 211/189
2012/0110903 A1 *	5/2012	Adams	A47G 7/02 47/39

OTHER PUBLICATIONS

“Camco 40775 Universal Plastic Water Filter Stand.” Amazon.com, posted Feb. 23, 2016 (retrieved from the Internet Mar. 15, 2017). Internet URL: <<https://www.amazon.com/Camco-40775-Universal-Plastic-Filter/dp/B016V2EANI>>.*

* cited by examiner

Primary Examiner — Robin V Webster
Assistant Examiner — Rachel A Voorhies

(74) *Attorney, Agent, or Firm* — Tuggle Duggins P.A.;
Blake Hurt

(57) **CLAIM**

The ornamental design for a water filter stand, as shown and described.

DESCRIPTION

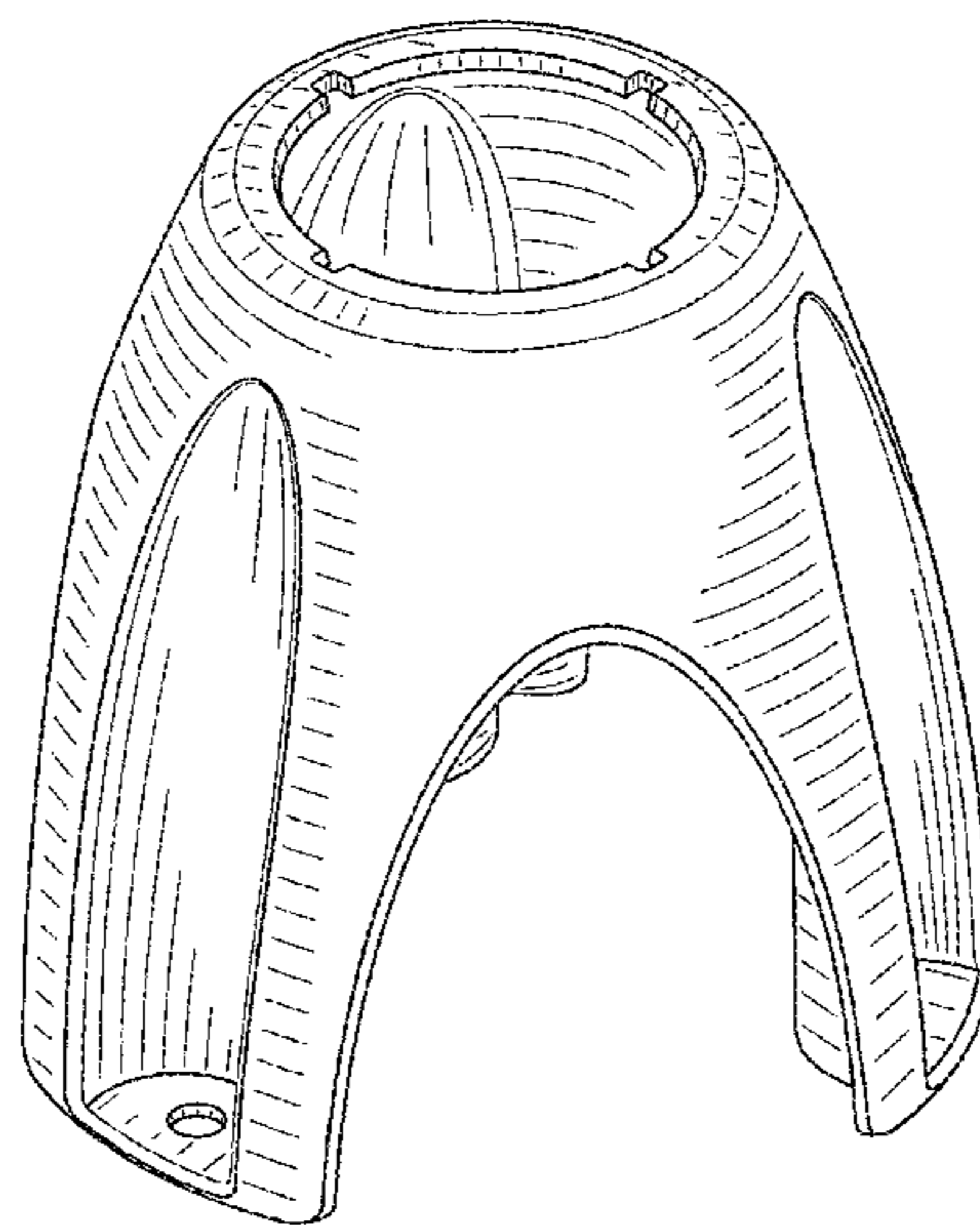
FIG. 1 is a front, top, right perspective view of a water filter stand according to the invention;
FIG. 2 is a front elevational view according to the invention; and,
FIG. 3 is a left side elevational view according to the invention; and,
FIG. 4 is right side elevational view according to the invention; and,
FIG. 5 is rear elevational view according to the invention; and,
FIG. 6 is a top plan view according to the invention; and,
FIG. 7 is a bottom plan view according to the invention; and,
FIG. 8 is a front, bottom, right perspective view according to the invention.

1 Claim, 8 Drawing Sheets

(56) **References Cited**

U.S. PATENT DOCUMENTS

D355,702 S *	2/1995	Johnson	D23/209
D386,944 S *	12/1997	Demore	D23/209
D426,752 S *	6/2000	Whaley	D7/619.1
D448,978 S *	10/2001	Isbell	D7/619.1
D482,919 S *	12/2003	Armstrong	D6/551
D515,877 S *	2/2006	Czepowicz	D7/619.1
D608,126 S *	1/2010	Buck	D6/551
D679,552 S *	4/2013	Housley	D7/619.1
D729,344 S *	5/2015	Colussi	D23/209



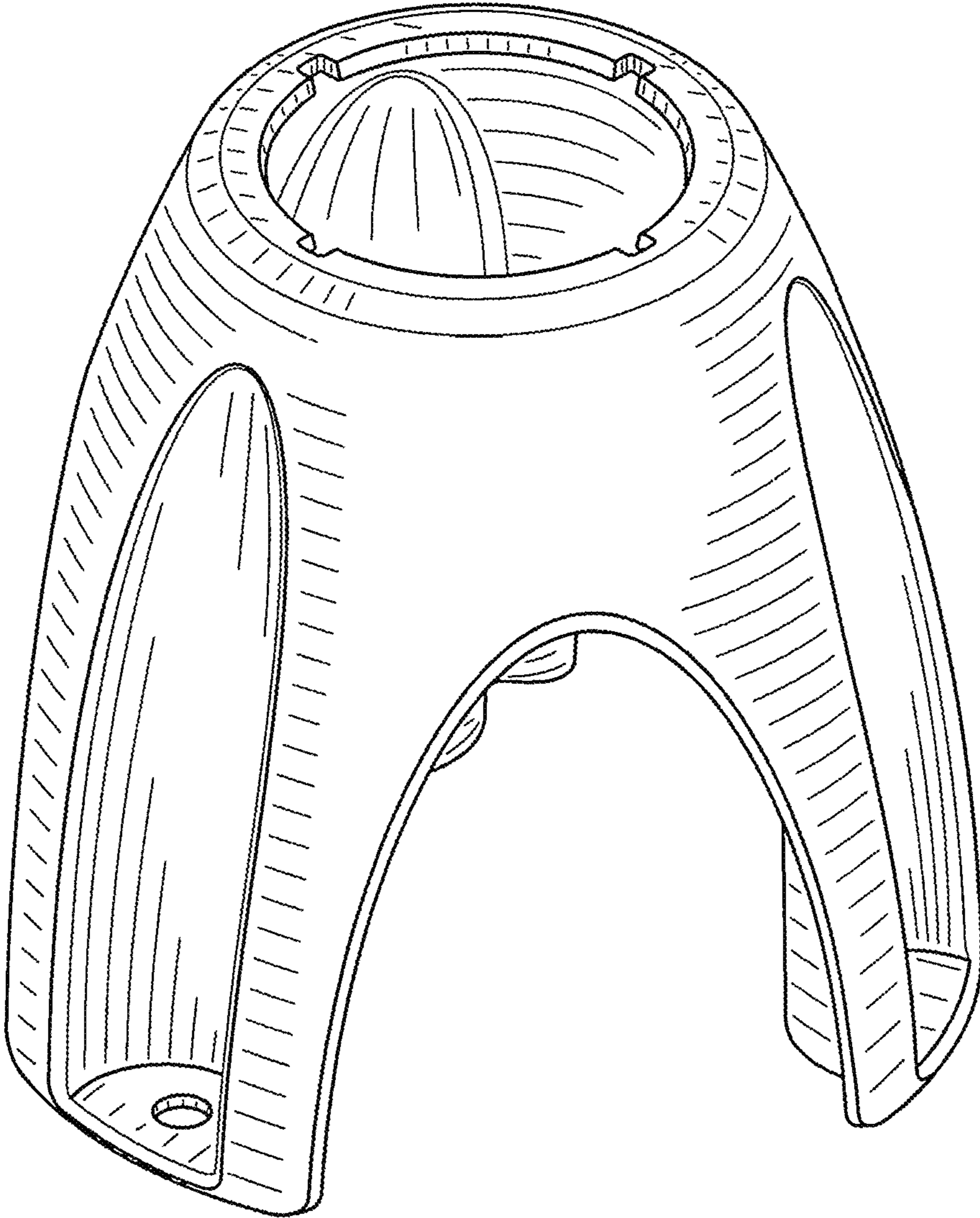


Fig. 1

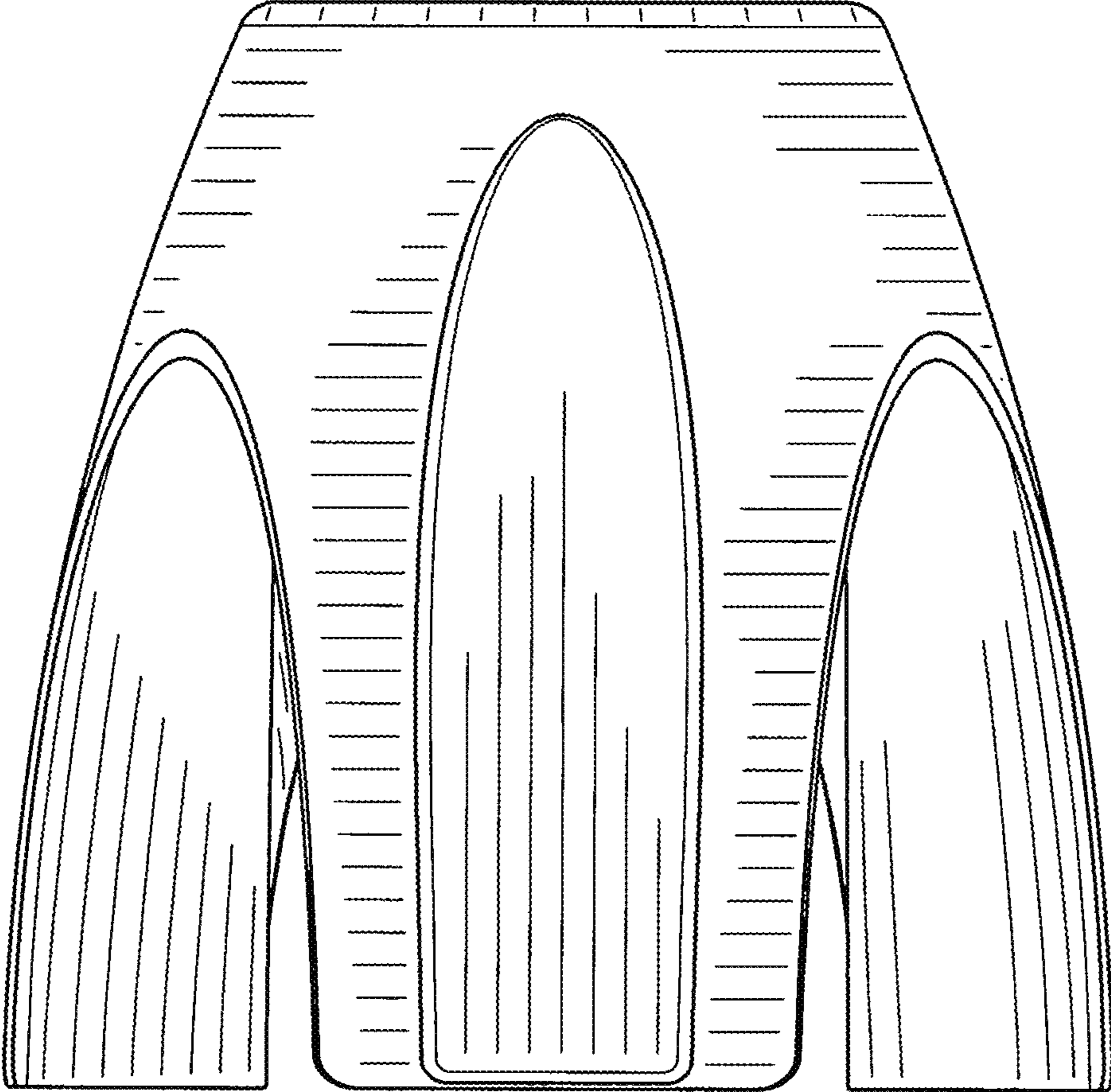


Fig. 2

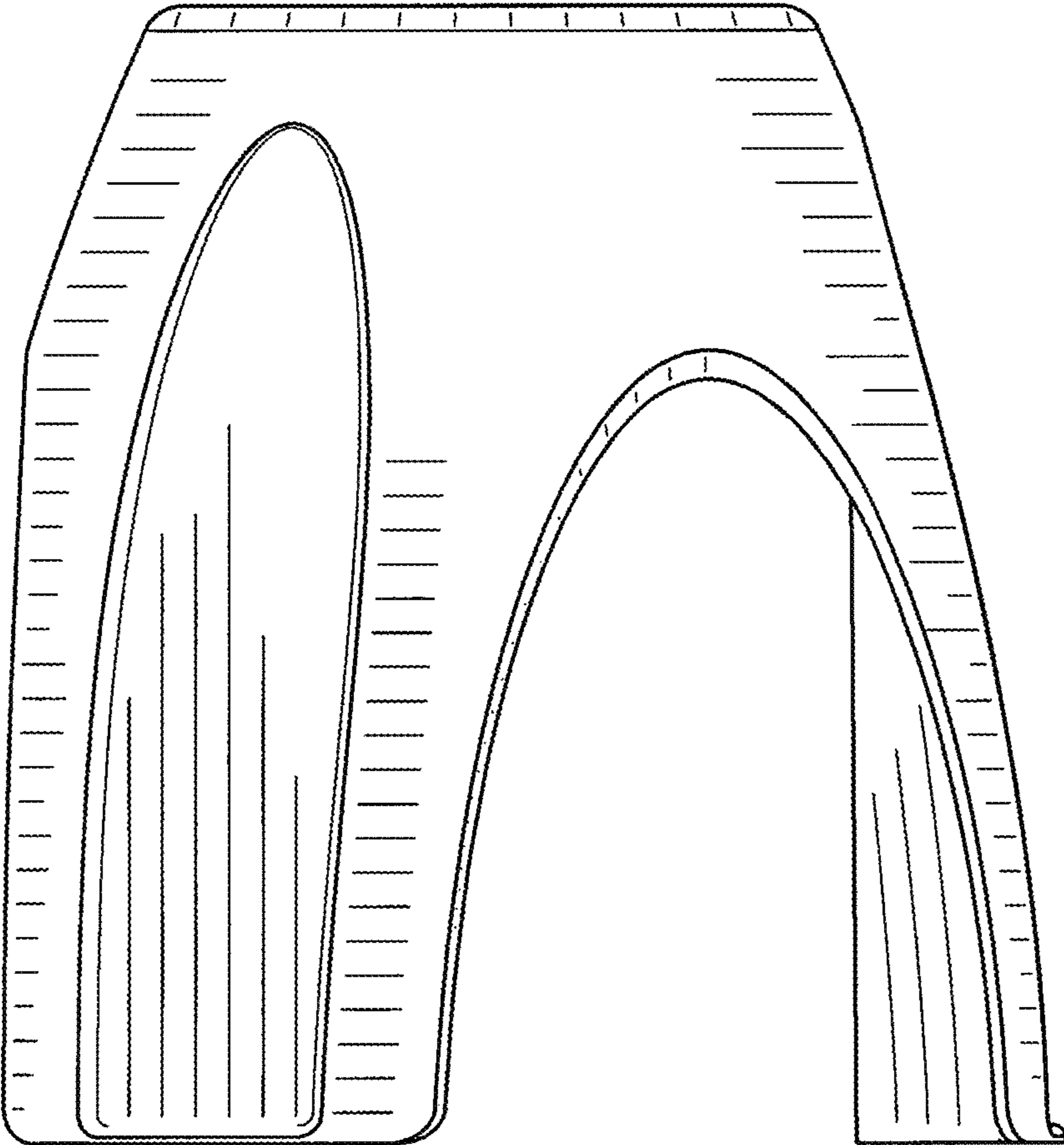


Fig. 3

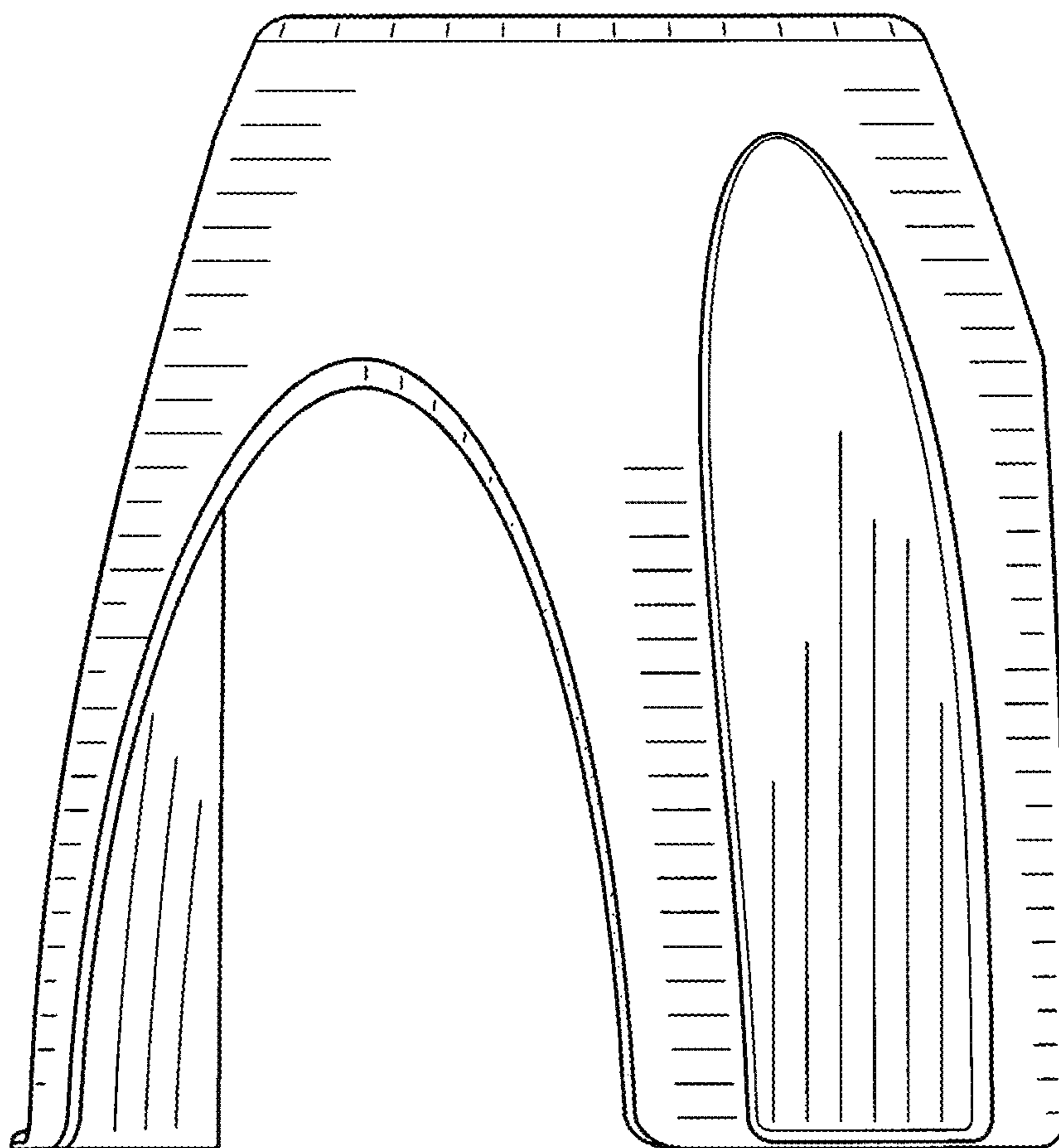


Fig. 4

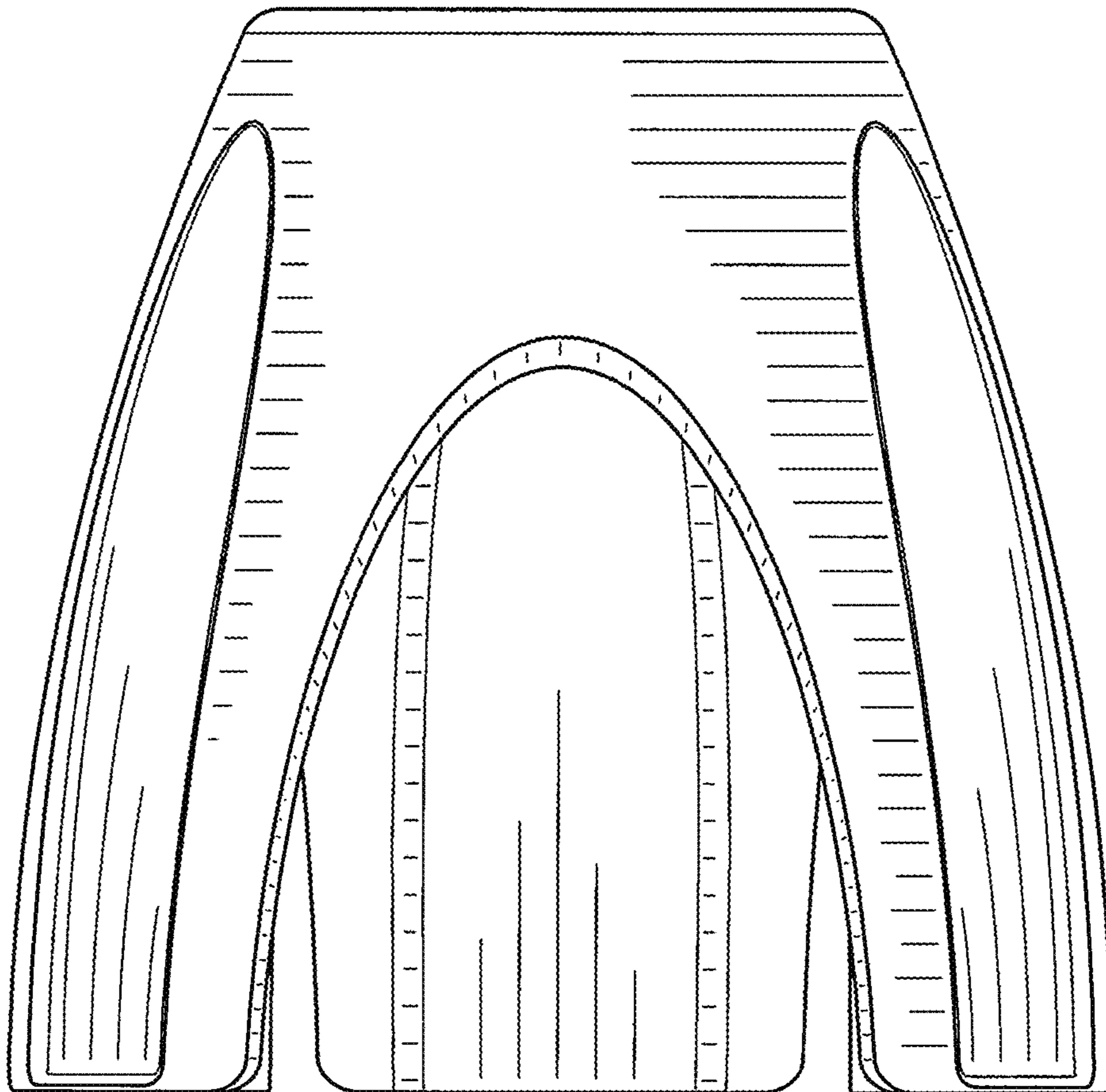


Fig. 5

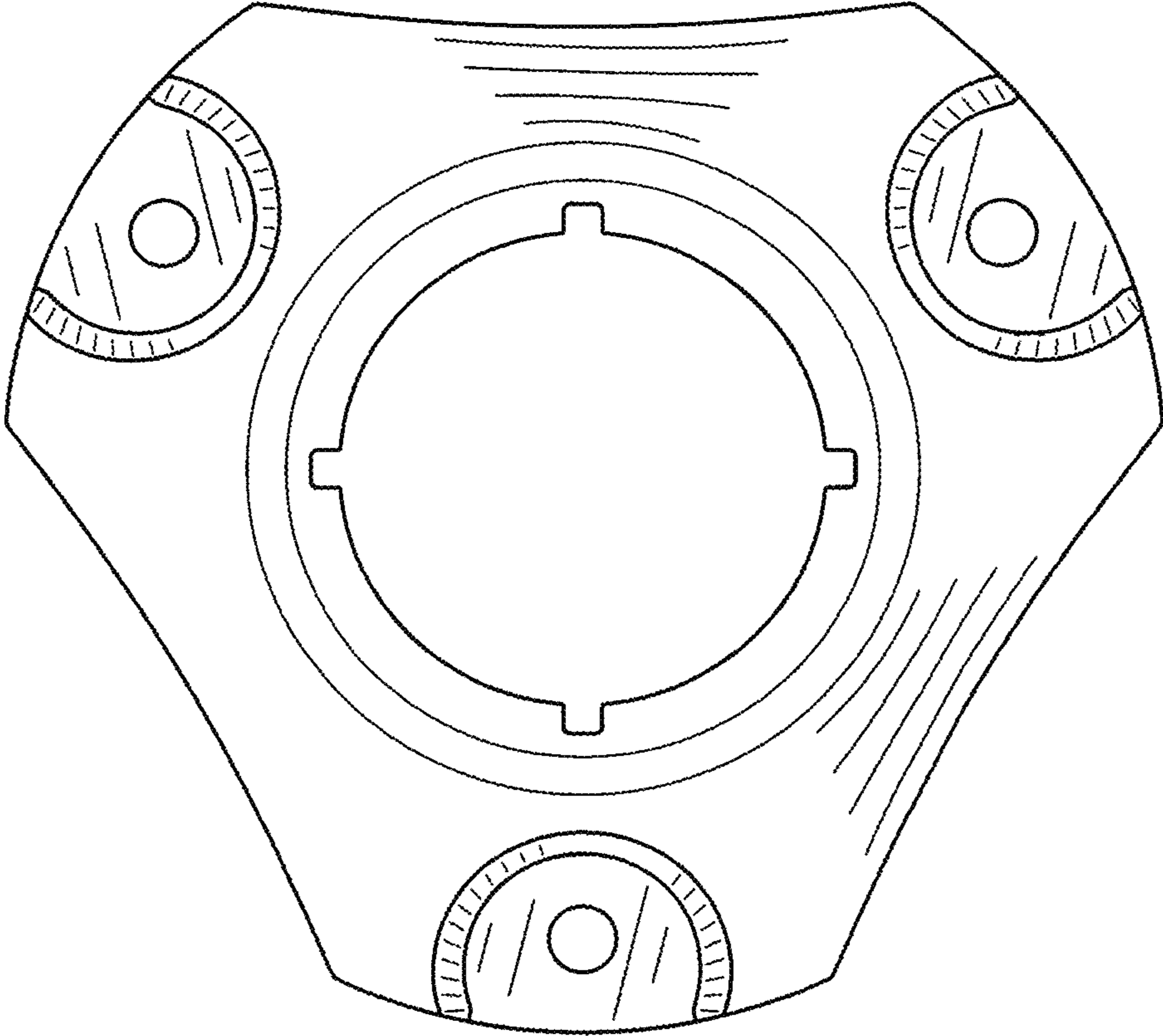


Fig. 6

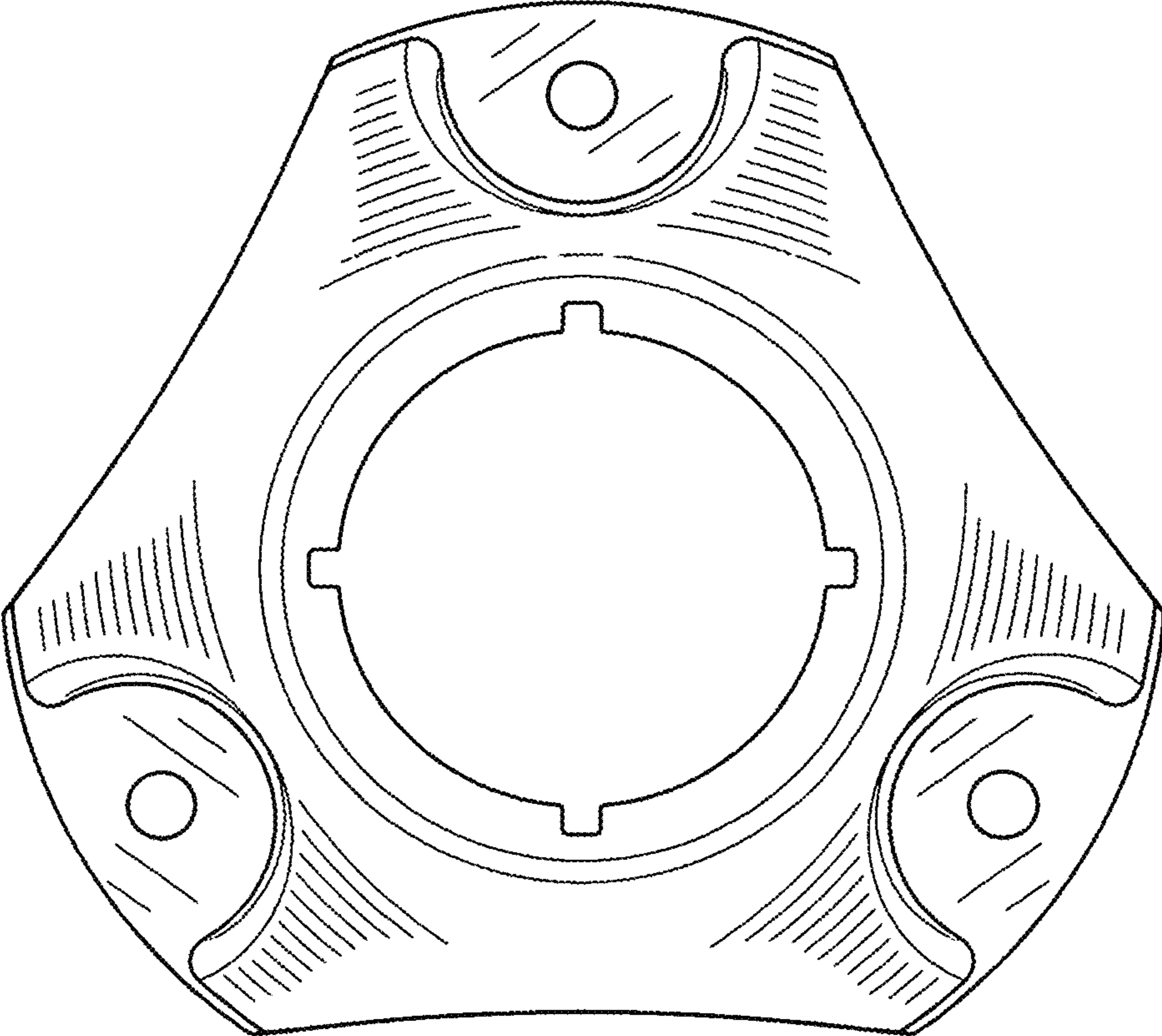


Fig. 7

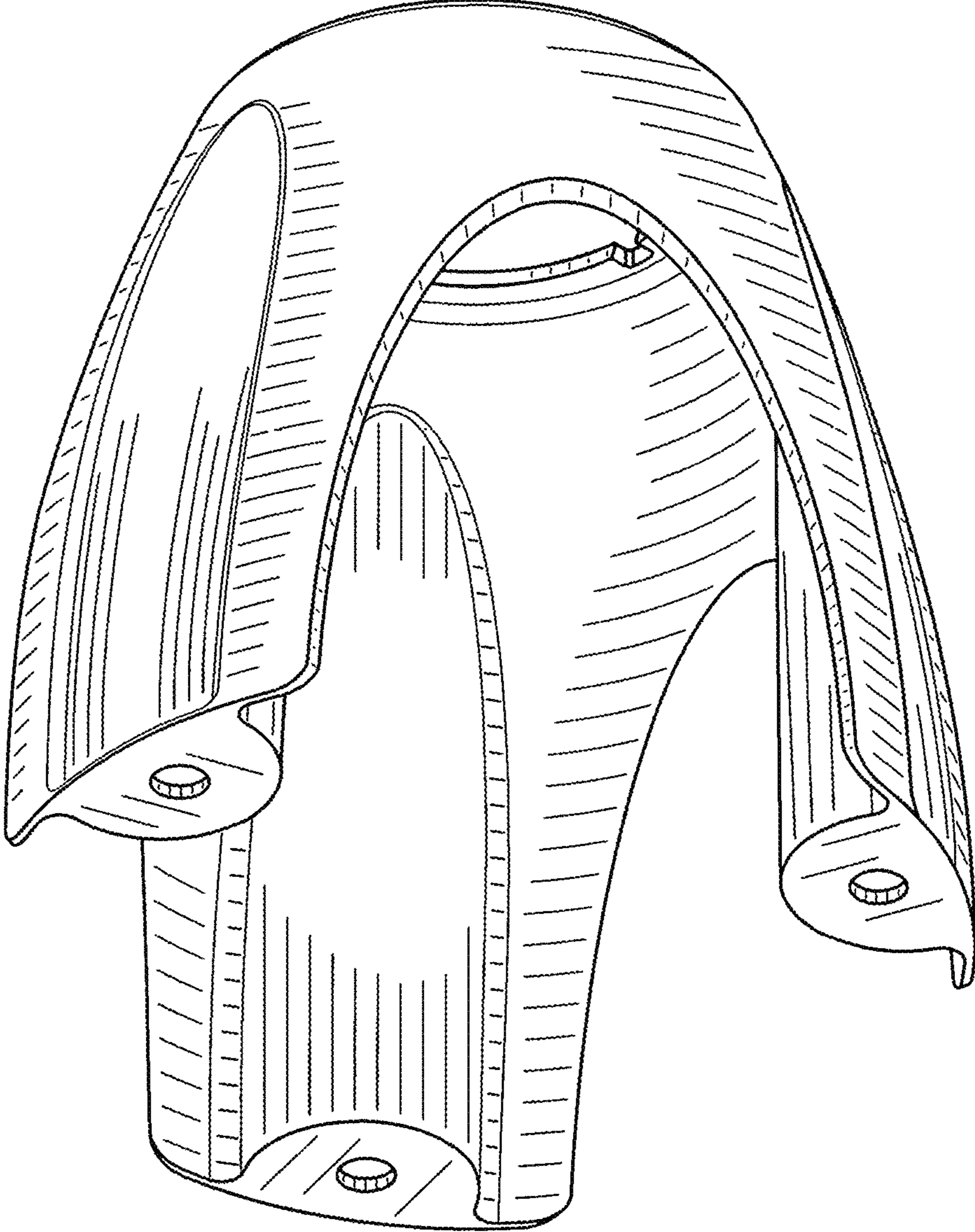


Fig. 8