



US00D831782S

(12) **United States Design Patent**
Zhang et al.

(10) **Patent No.:** **US D831,782 S**
(45) **Date of Patent:** **** Oct. 23, 2018**

(54) **PILLAR DEVICE FOR INSECT CAPTURE WITH GUARDS**

D675,282 S 1/2013 Frisch
D700,269 S 2/2014 Chapin et al.
9,015,988 B2 4/2015 Zhang
D761,932 S * 7/2016 Zhang D22/122
D818,558 S * 5/2018 Wang D22/122

(71) Applicant: **Sterling International Inc.**, Spokane, WA (US)

FOREIGN PATENT DOCUMENTS

(72) Inventors: **Qing-He Zhang**, Greenacres, WA (US);
Marc Chapin, Spokane, WA (US);
Rodney G. Schneidmiller, Greenacres, WA (US)

CN ZL201330556589.X 5/2014

* cited by examiner

(73) Assignee: **Sterling International Inc.**, Spokane, WA (US)

Primary Examiner — Catherine R Oliver-Garcia
(74) *Attorney, Agent, or Firm* — Christensen O'Connor Johnson Kindness, PLLC; Ryan Dodge

(**) Term: **15 Years**

(57) **CLAIM**

(21) Appl. No.: **29/621,934**

The ornamental design for a pillar device for insect capture with guards, as shown and described.

(22) Filed: **Oct. 12, 2017**

DESCRIPTION

(51) **LOC (11) Cl.** **22-06**

(52) **U.S. Cl.**
USPC **D22/122**

(58) **Field of Classification Search**
USPC D22/119–124; 43/107, 112–113,
43/121–122, 124, 131, 132.1
CPC A01M 1/14; A01M 1/2011; A01M 1/2016;
A01M 2200/011; A01M 2200/012; A01M
1/04; A01M 1/06
See application file for complete search history.

FIG. 1 is an upper-front-right perspective view of a pillar device for insect capture with guards, according to our new design;
FIG. 2 is a front view of the pillar device for insect capture with guards shown in FIG. 1, which is the same as the rear view;
FIG. 3 is a top plan view of the pillar device for insect capture with guards shown in FIG. 1, which is the same as the bottom plan view;
FIG. 4 is a perspective sectional view of the pillar device for insect capture with guards through section 4-4 indicated in FIG. 1; and,
FIG. 5 is a perspective sectional view of the pillar device for insect capture with guards through section 5-5 indicated in FIG. 1.

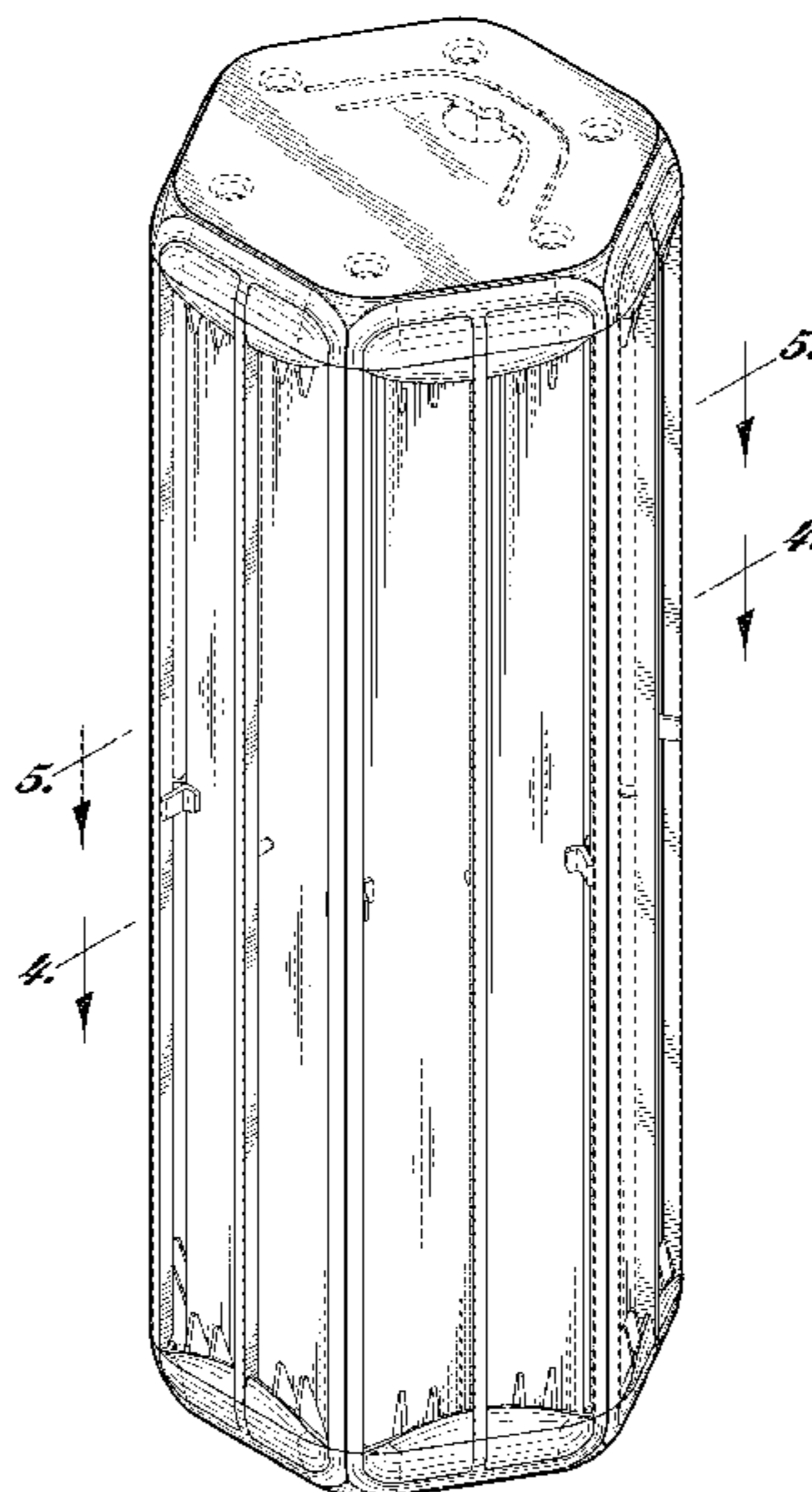
The broken line showing of top and bottom hanging features is for the purpose of illustrating portions of the pillar and forms no part in the claimed design.

(56) **References Cited**

U.S. PATENT DOCUMENTS

5,274,949 A * 1/1994 Beaton A01M 1/04
43/113
D359,790 S 6/1995 Blotnick
D467,295 S 12/2002 Andrews et al.
D467,635 S 12/2002 Andrews et al.
6,860,062 B2 3/2005 Spragins
7,310,907 B2 12/2007 Suteerawanit

1 Claim, 4 Drawing Sheets



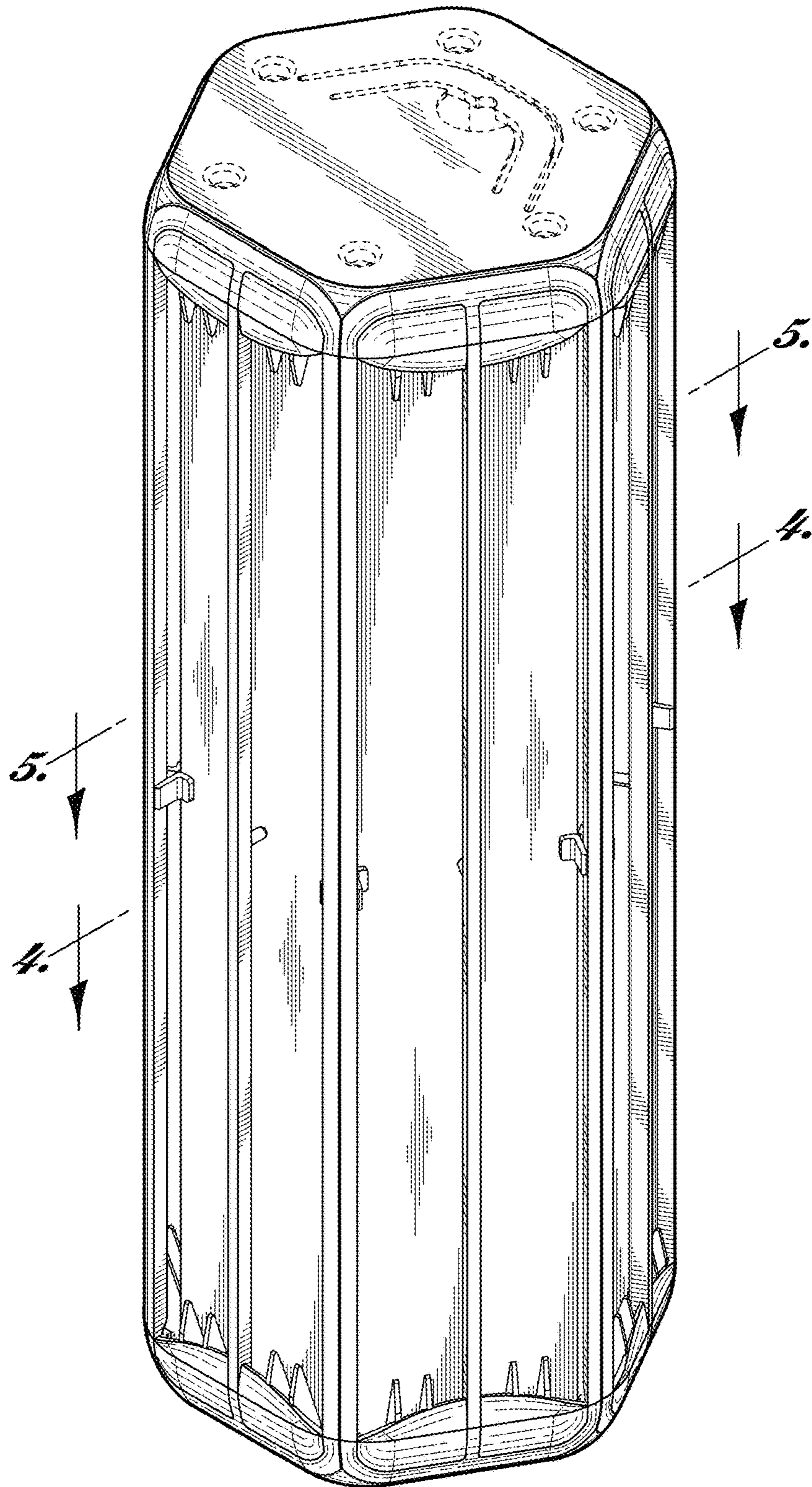


Fig. 1.

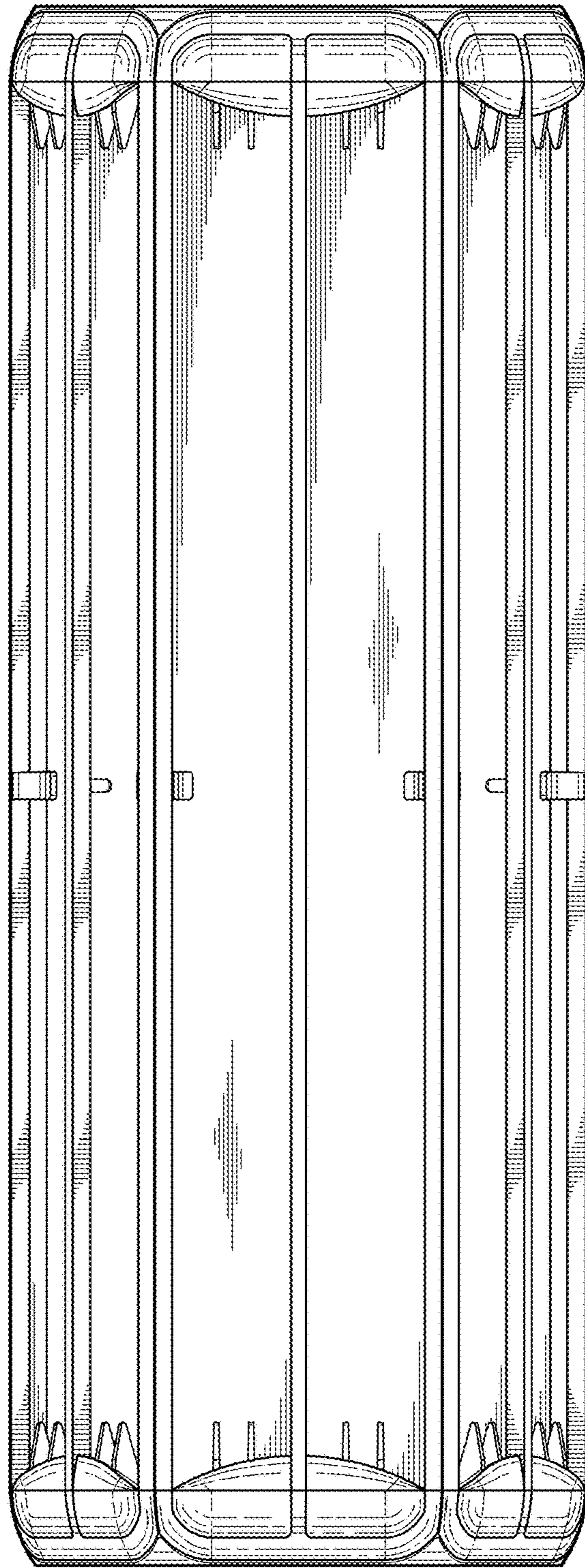


Fig. 2.

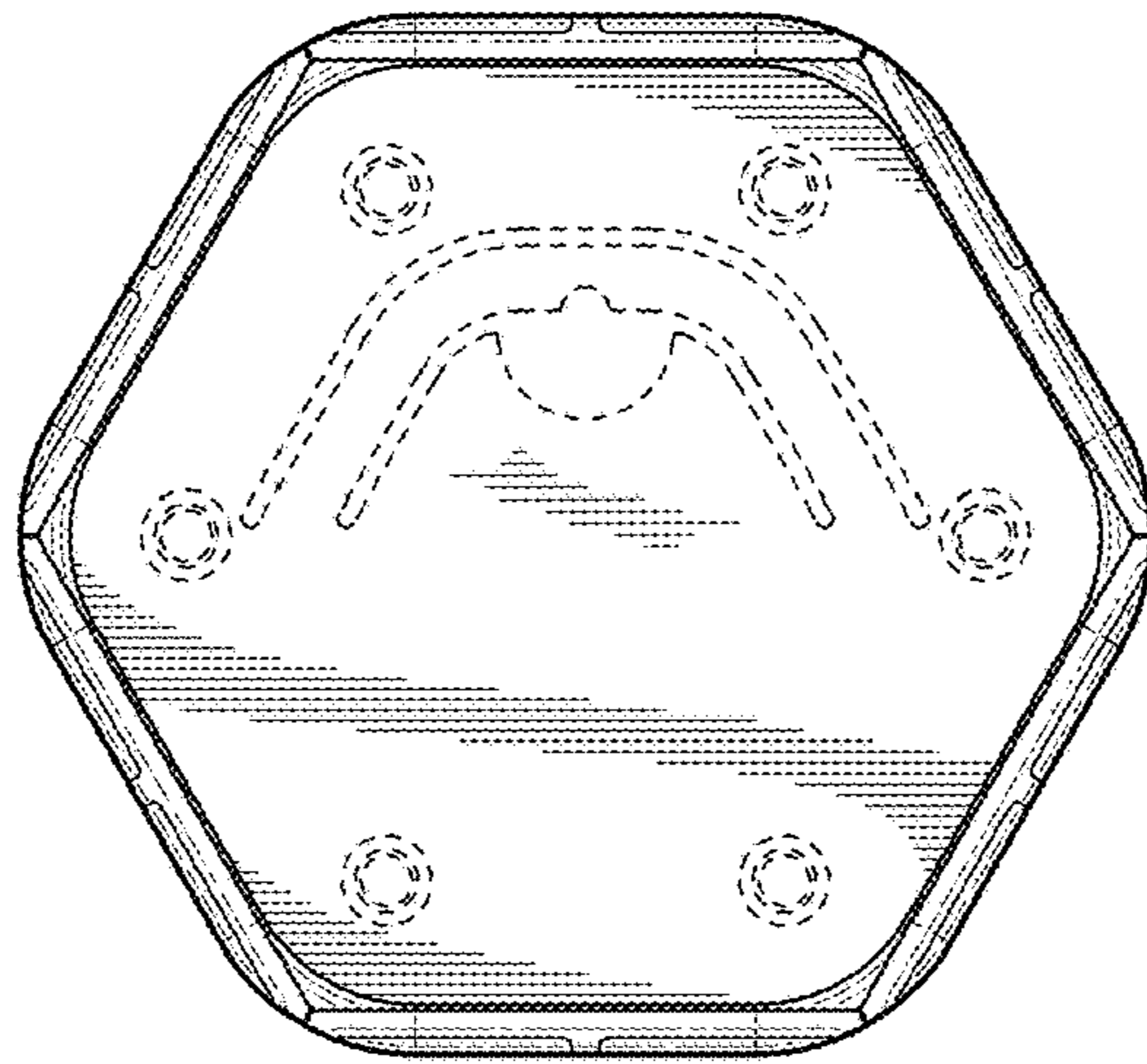


Fig. 3.

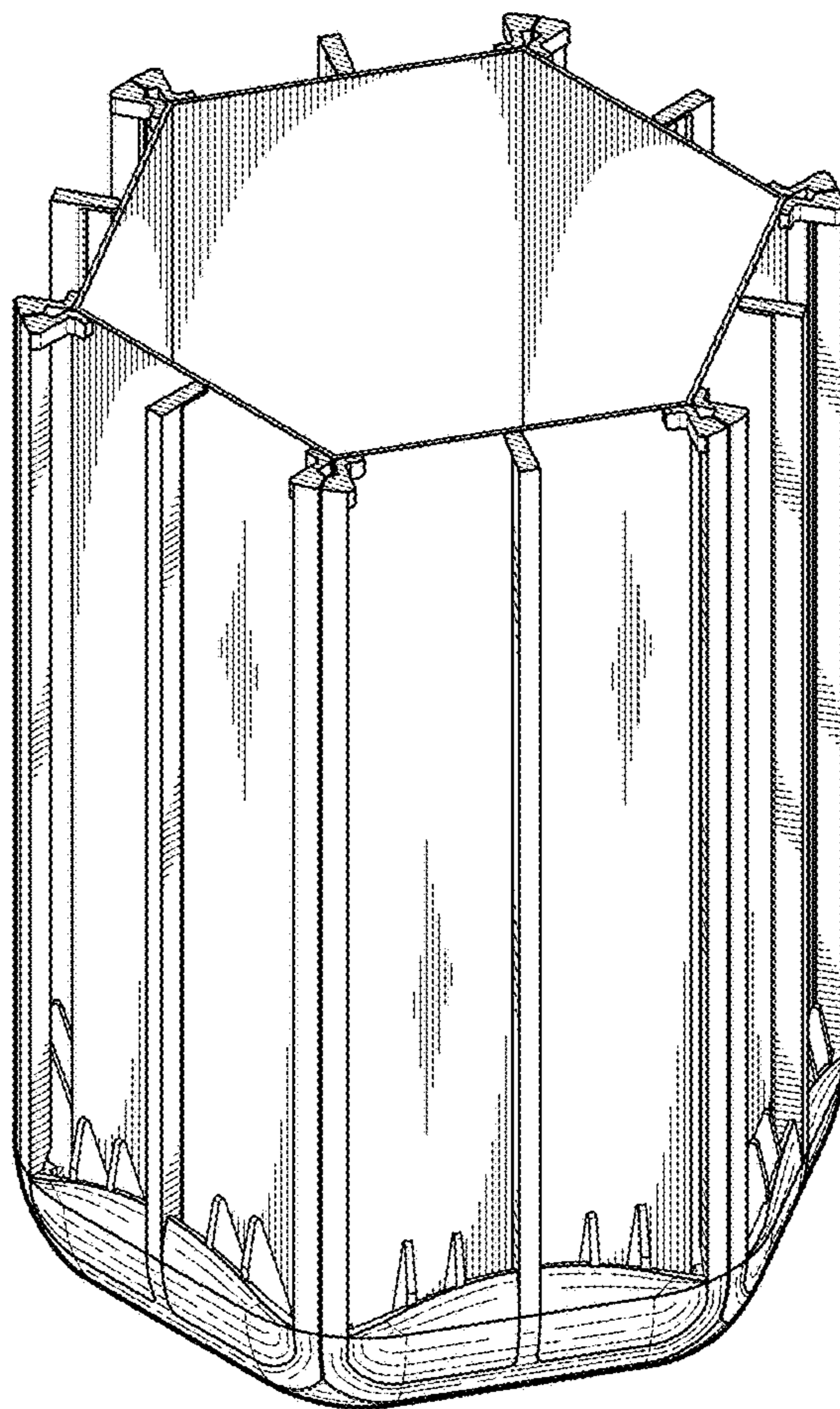


Fig. 4.

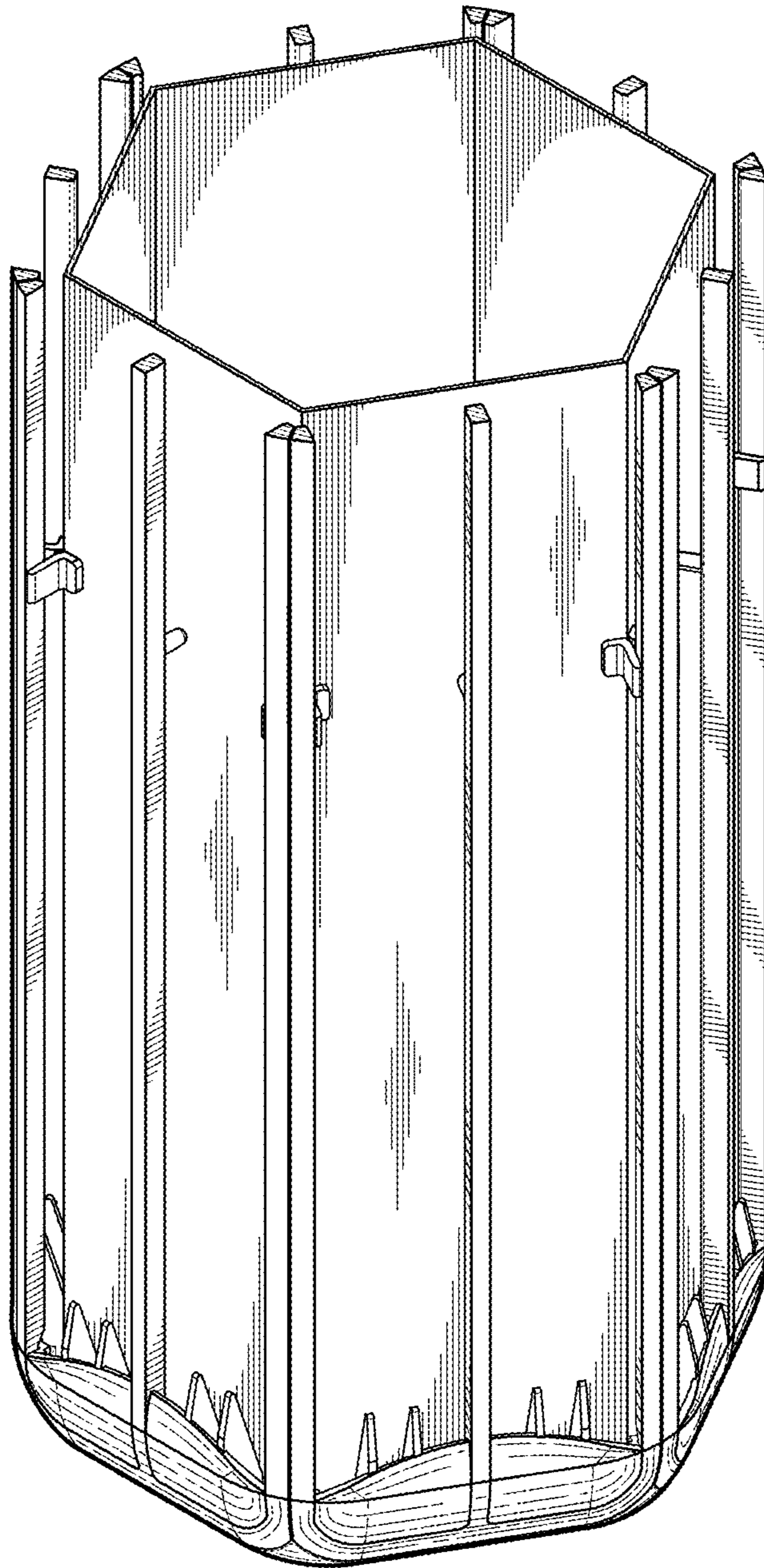


Fig. 5.