



US00D831781S

(12) **United States Design Patent**
Zhao

(10) **Patent No.:** **US D831,781 S**
(45) **Date of Patent:** **** Oct. 23, 2018**

(54) **ELECTRONIC COCKROACH REPELLER**

(71) Applicant: **Xin Zhao**, Guangzhou (CN)

(72) Inventor: **Xin Zhao**, Guangzhou (CN)

(73) Assignee: **Guangzhou Smartdo E-commerce Technology Co., Ltd.**, Guangzhou (CN)

(**) Term: **15 Years**

(21) Appl. No.: **29/619,266**

(22) Filed: **Sep. 28, 2017**

(51) **LOC (11) Cl.** **22-06**

(52) **U.S. Cl.**
USPC **D22/120**

(58) **Field of Classification Search**
USPC D22/119–124; D23/366–367; 43/85, 88,
43/90–92, 107, 112–114, 124, 131, 132.1,
43/139
CPC A01M 1/04; A01M 1/023; A01M 1/026;
A01M 1/223; A01M 1/145; B01D
46/0005

See application file for complete search history.

(56) **References Cited**

U.S. PATENT DOCUMENTS

5,425,197 A * 6/1995 Smith A01M 1/04
43/113
D395,529 S * 6/1998 Yuen D22/123

6,397,515 B1 * 6/2002 Brown A01M 1/023
43/113
D469,147 S * 1/2003 Levine D22/120
D469,149 S * 1/2003 Levine D22/120
D469,499 S * 1/2003 Levine D22/120
D638,507 S * 5/2011 Feuerstein D22/120
D639,466 S * 6/2011 Feuerstein D22/120
D742,994 S * 11/2015 Mackay D22/122
D768,806 S * 10/2016 Wu D22/120
D779,026 S * 2/2017 Hou D22/120
D779,626 S * 2/2017 Hou D22/120
D780,878 S * 3/2017 Zhang D22/120
D816,823 S * 5/2018 Gobber D23/366
D820,964 S * 6/2018 Servaire D23/366

* cited by examiner

Primary Examiner — Catherine R Oliver-Garcia

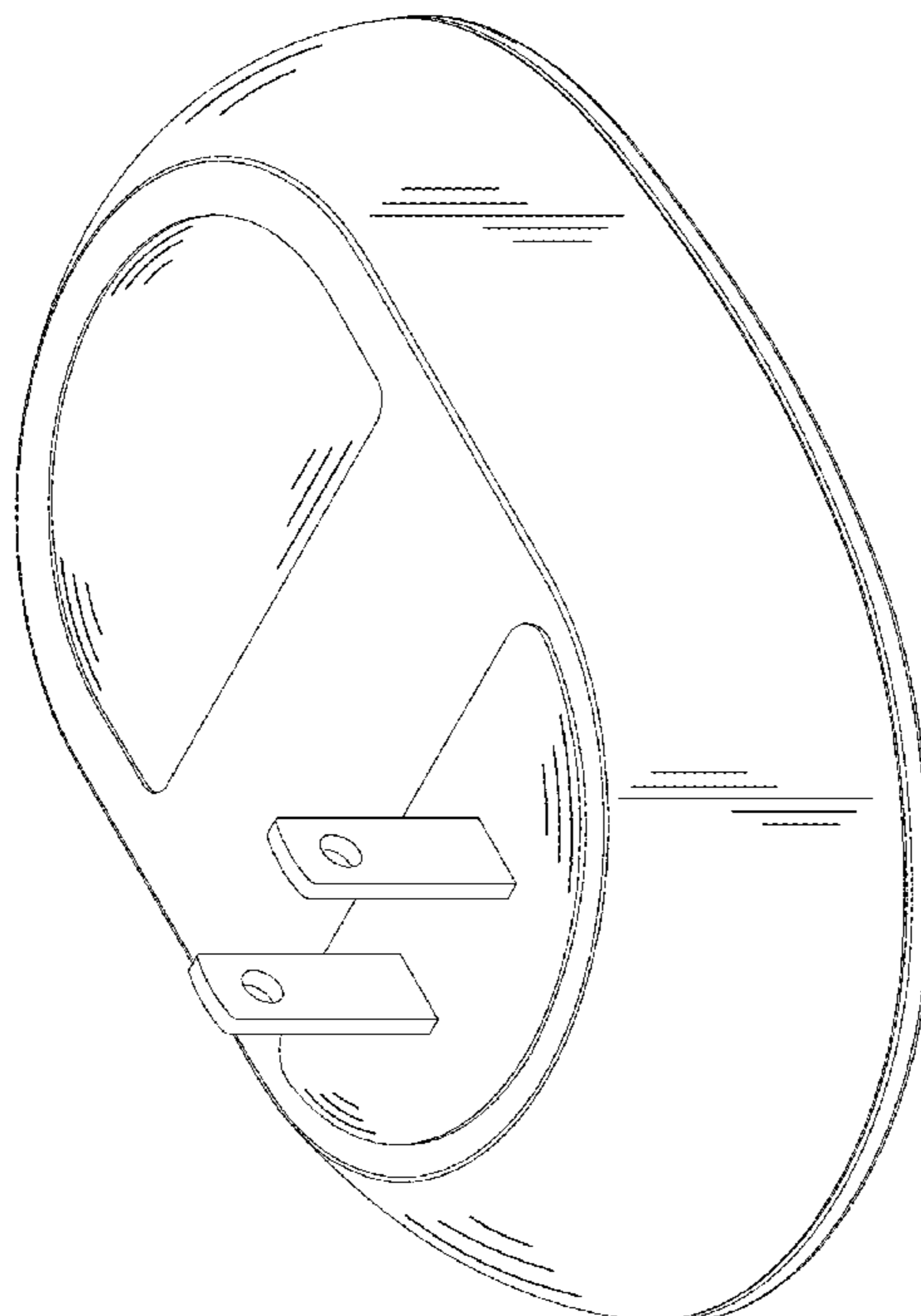
(57) **CLAIM**

The ornamental design for an electronic cockroach repeller, as shown and described.

DESCRIPTION

FIG. 1 is a perspective view of an electronic cockroach repeller showing my new design;
FIG. 2 is a front elevational view thereof;
FIG. 3 is a top plan view thereof;
FIG. 4 is a left side elevational view thereof;
FIG. 5 is a rear elevational view thereof;
FIG. 6 is a right side view thereof; and,
FIG. 7 is a bottom plan view thereof.

1 Claim, 7 Drawing Sheets



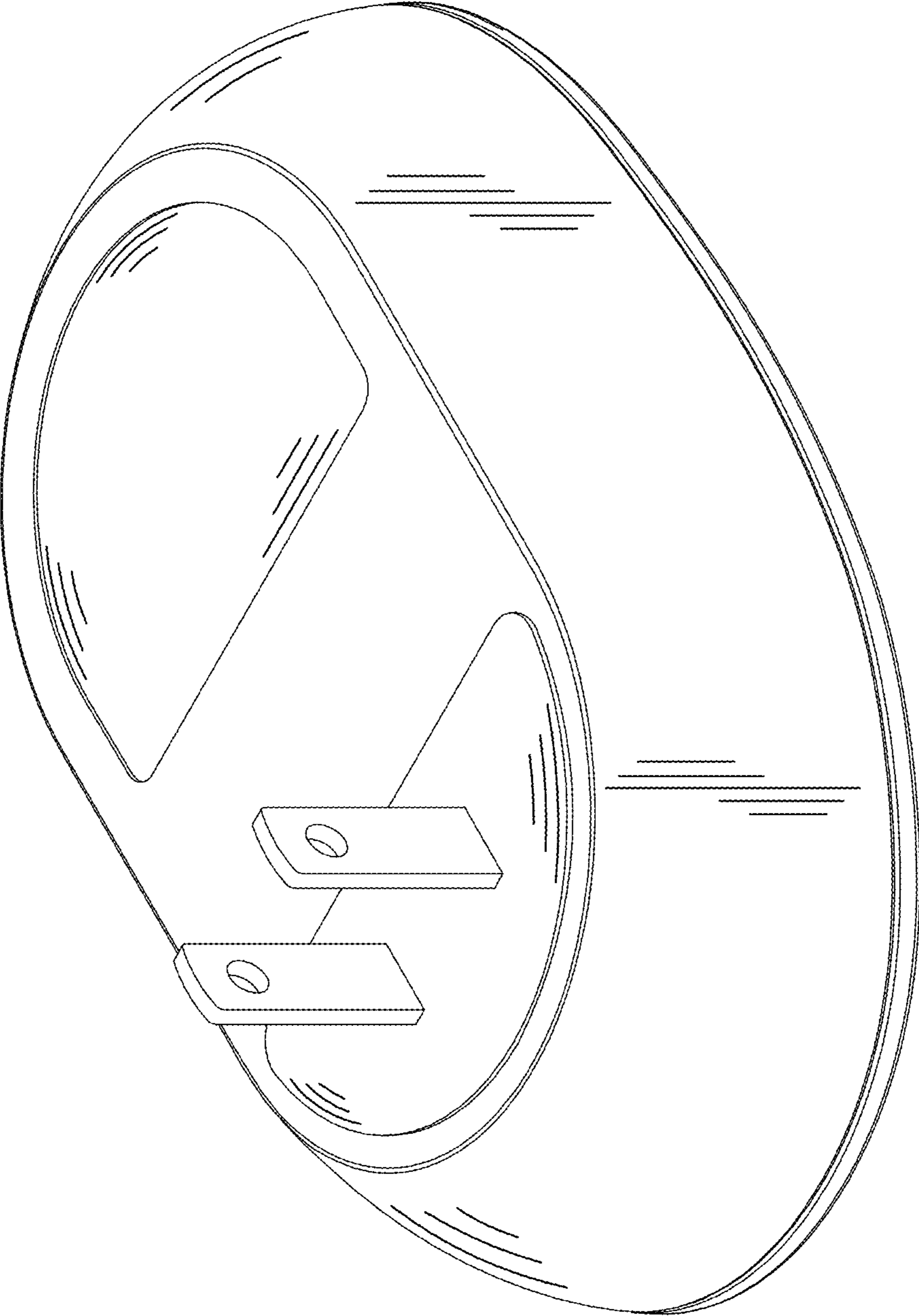


FIG. 1

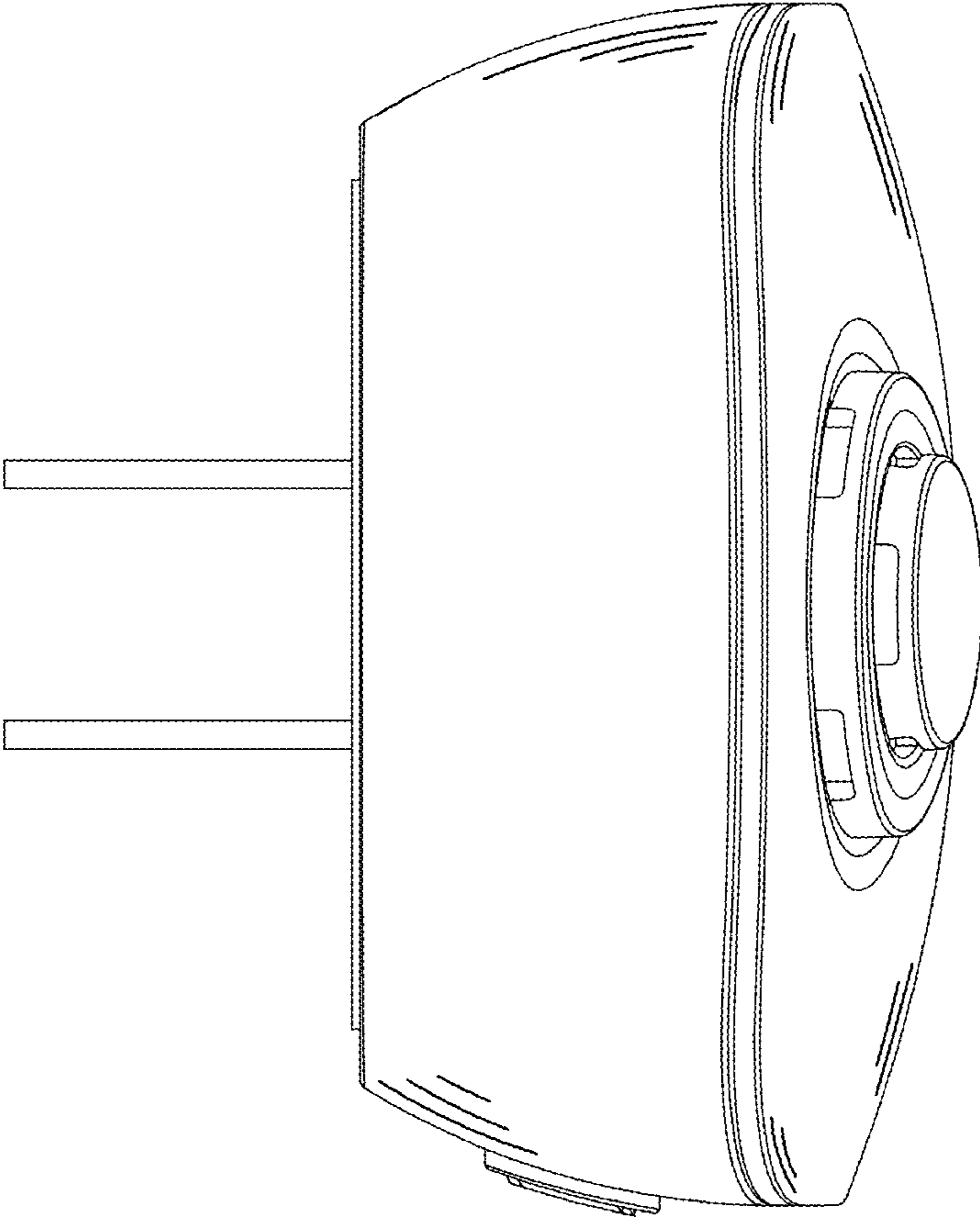


FIG. 2

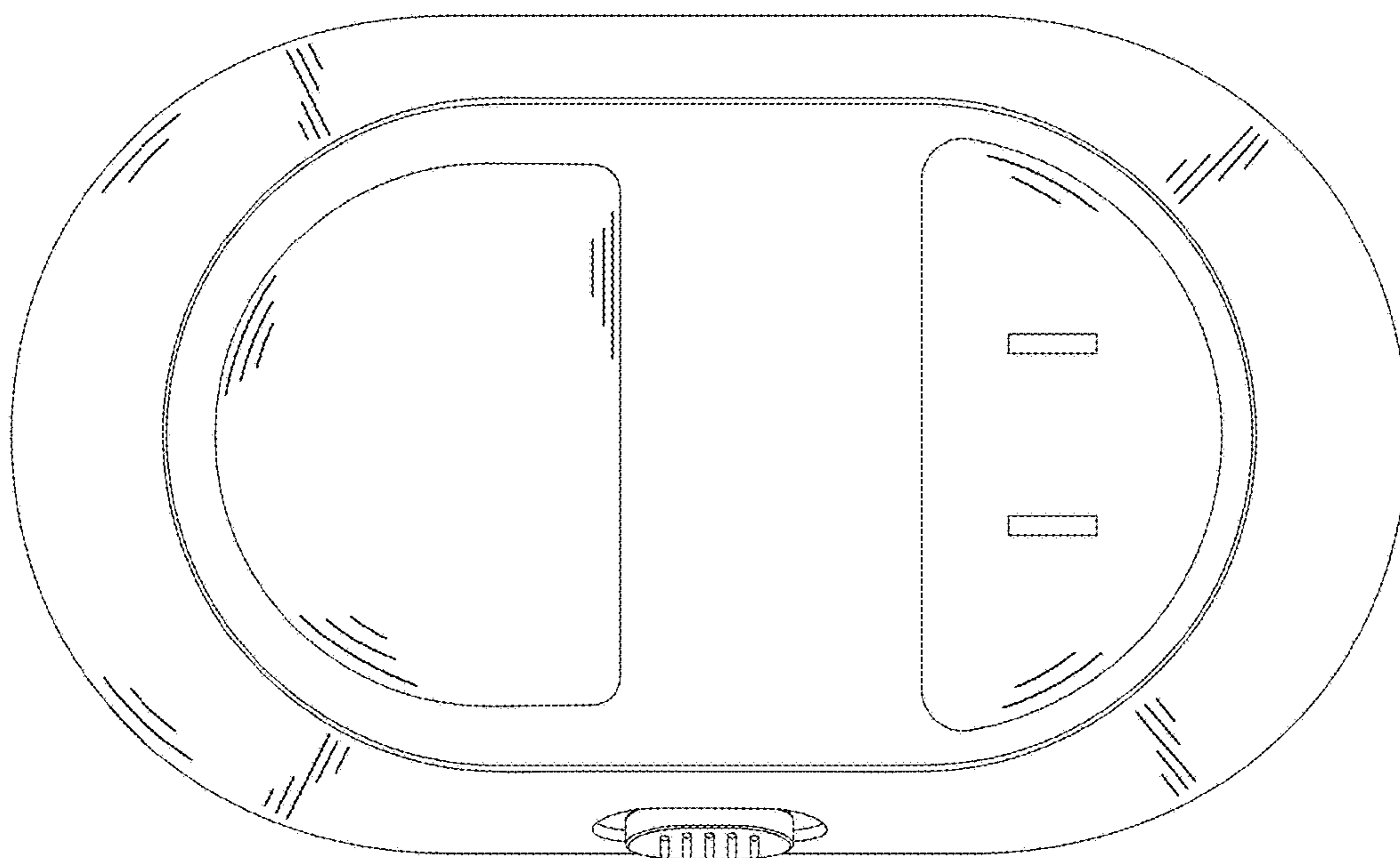


FIG. 3

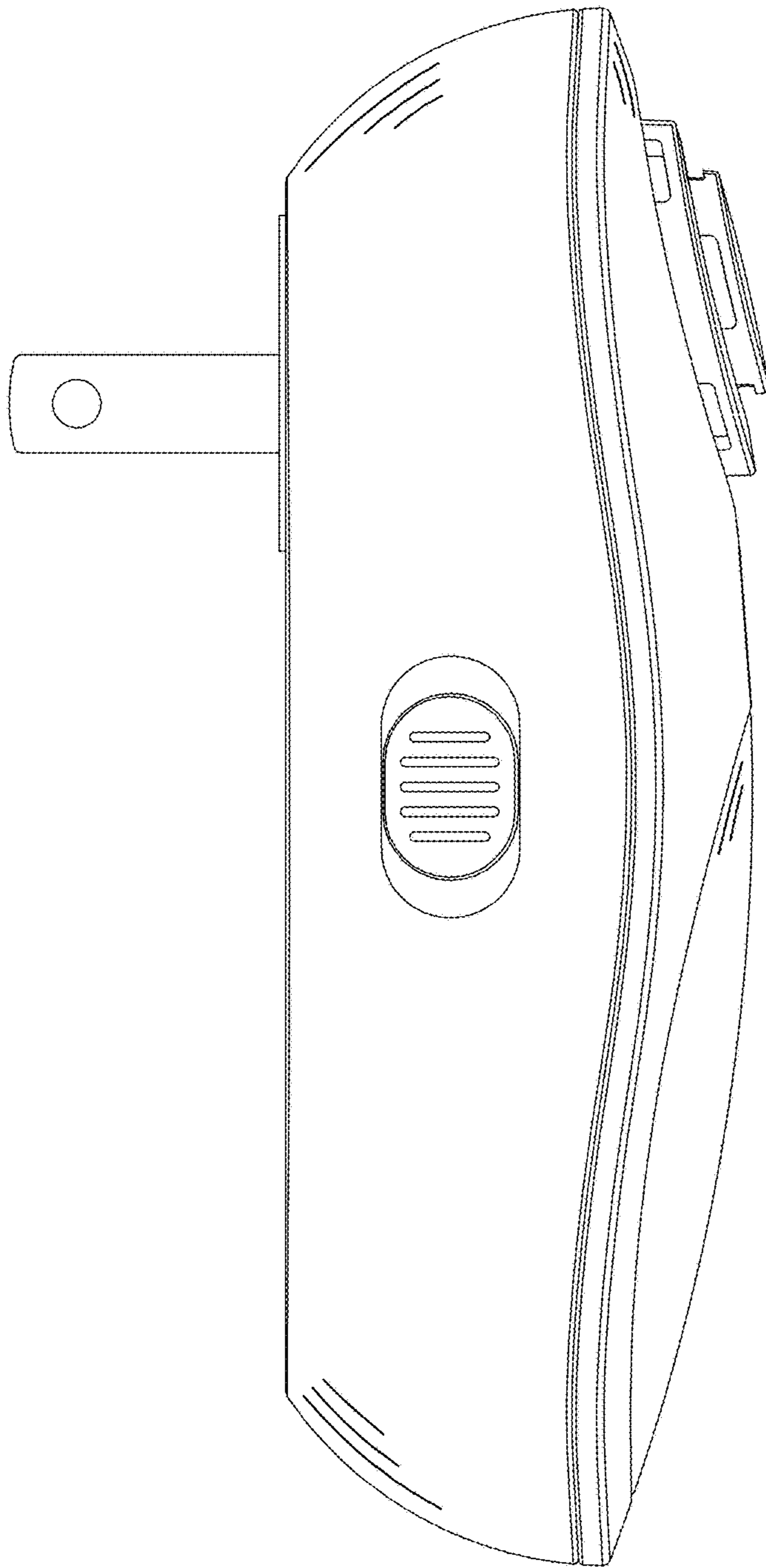


FIG. 4

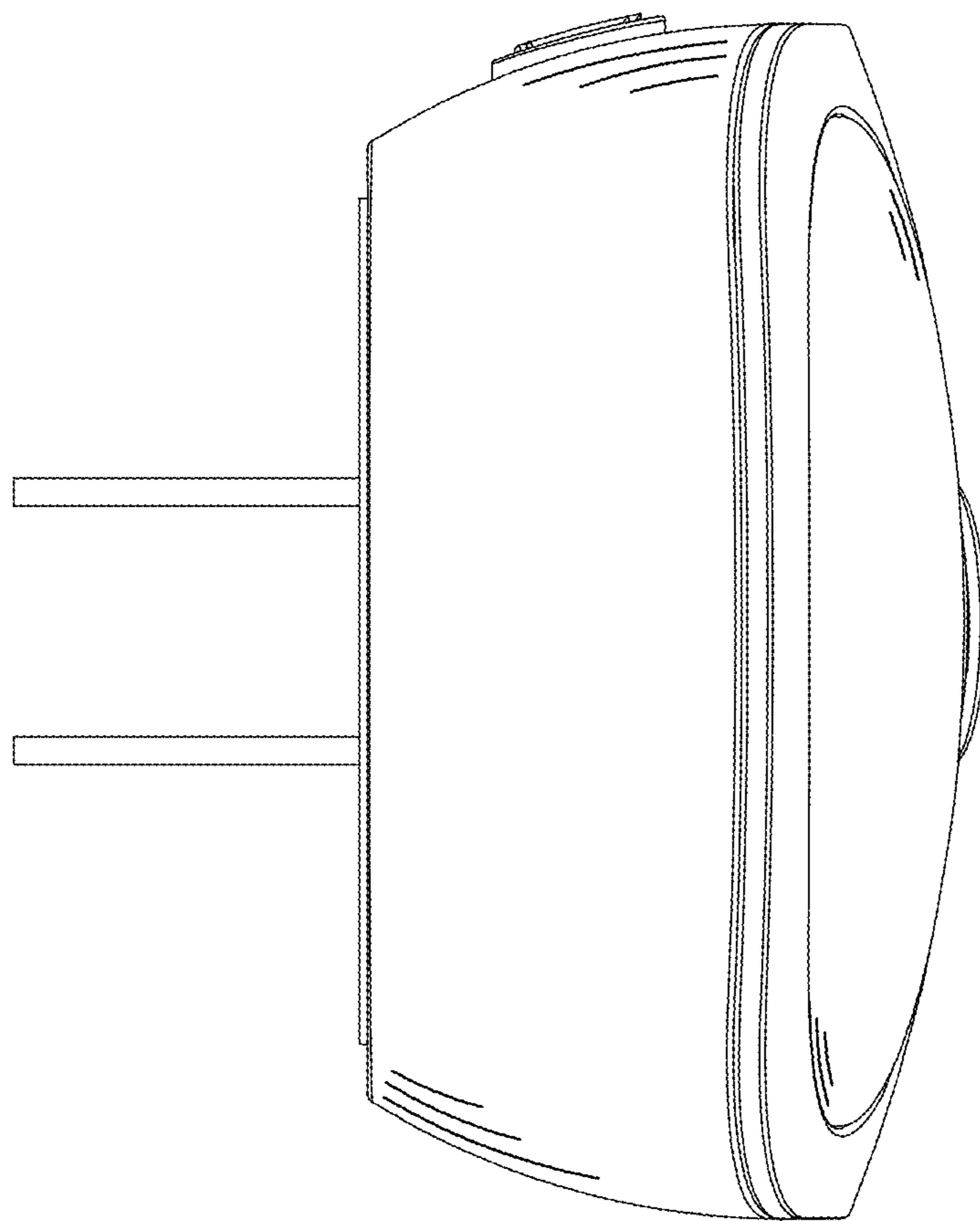


FIG. 5

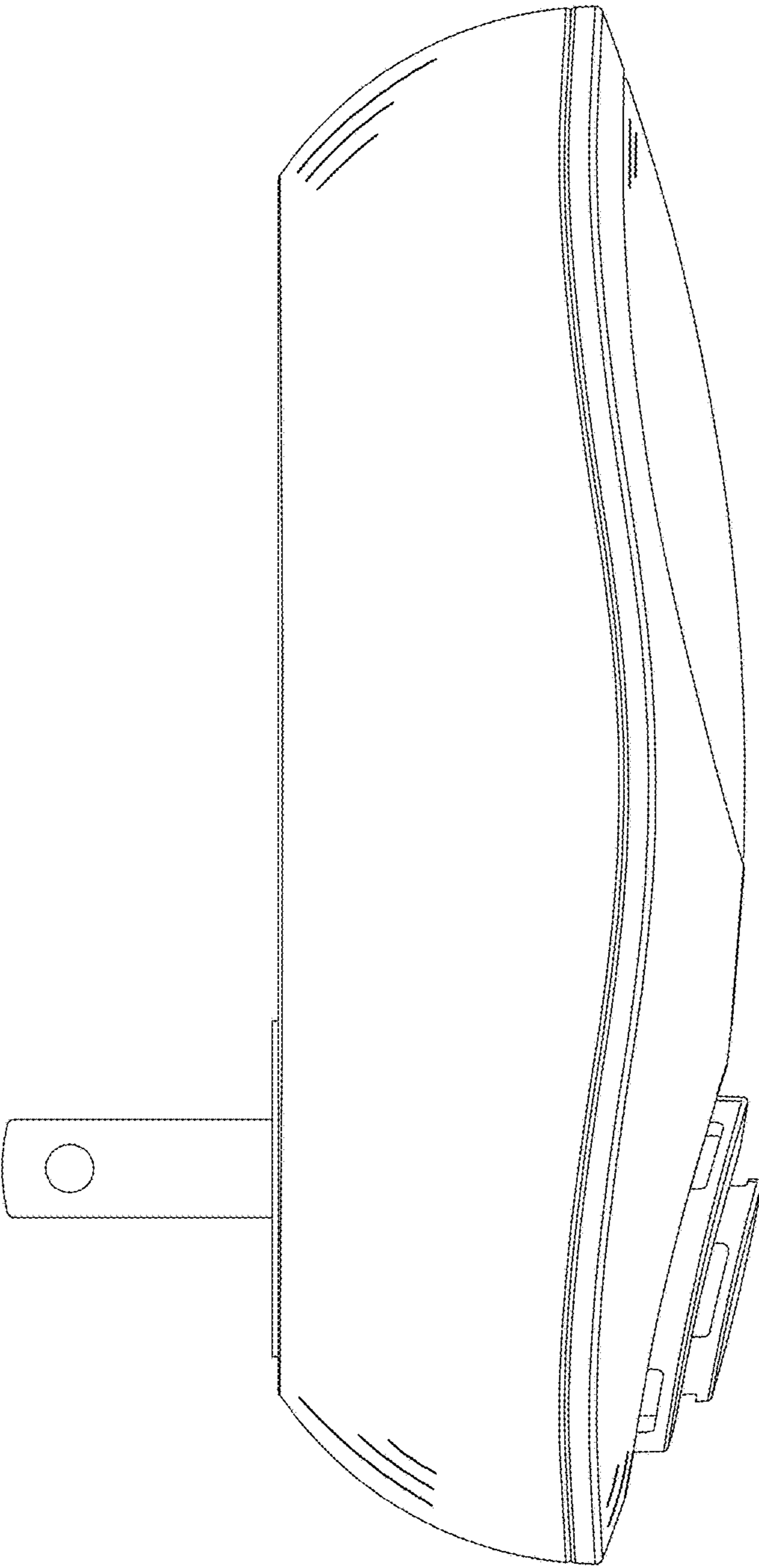


FIG. 6

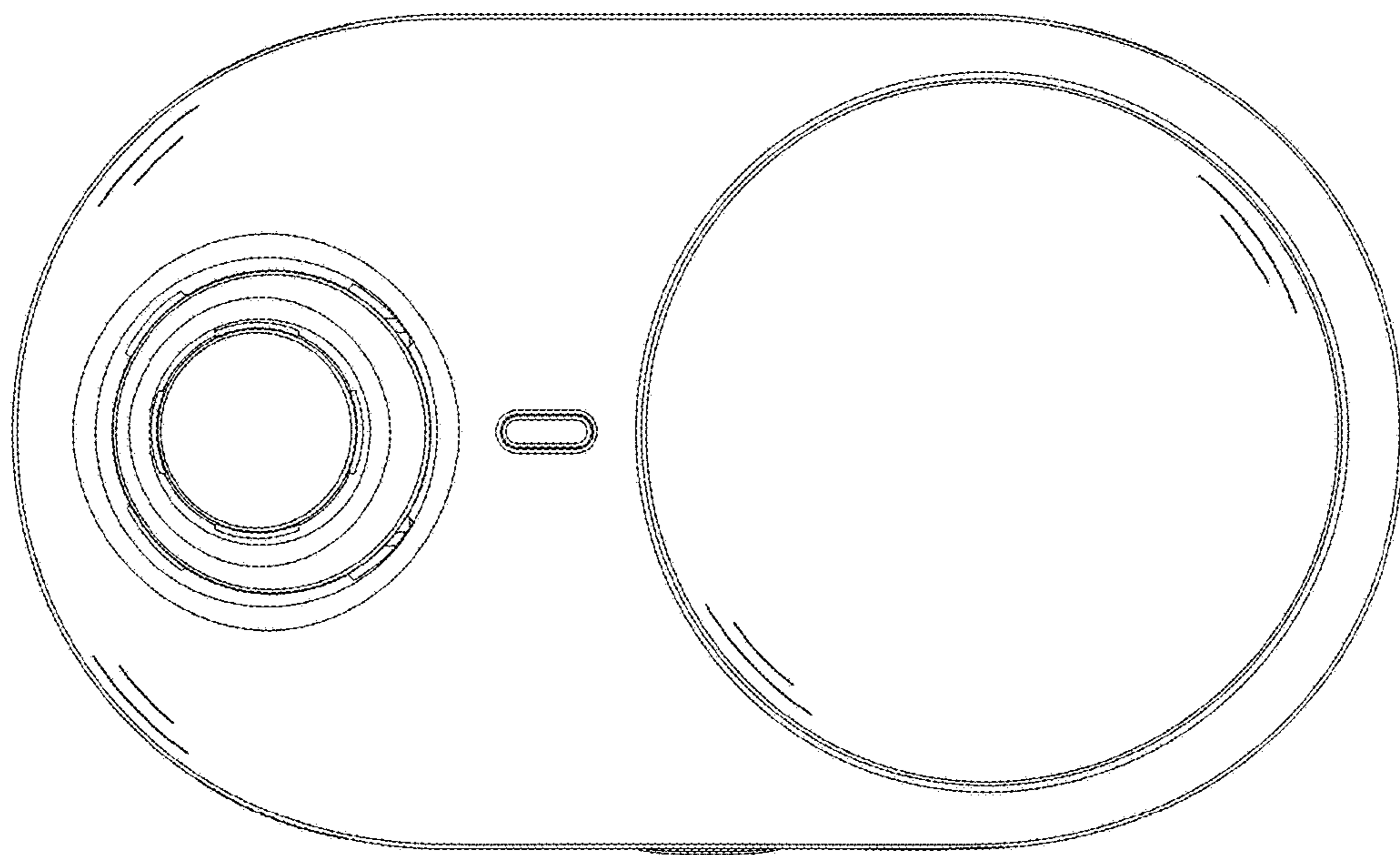


FIG. 7