



US00D831779S

(12) **United States Design Patent**
Johnston

(10) **Patent No.:** **US D831,779 S**
(45) **Date of Patent:** **** Oct. 23, 2018**

(54) **LASER DEVICE**

(71) Applicant: **Crimson Trace Corporation,**
Wilsonville, OR (US)

(72) Inventor: **William Johnston,** Wilsonville, OR
(US)

(73) Assignee: **Crimson Trace Corporation,**
Wilsonville, OR (US)

(**) Term: **15 Years**

(21) Appl. No.: **29/625,162**

(22) Filed: **Nov. 7, 2017**

(51) **LOC (11) Cl.** **22-01**

(52) **U.S. Cl.**
USPC **D22/109**

(58) **Field of Classification Search**
USPC D22/100, 101, 103, 106, 108, 109, 110,
D22/111, 117, 199; D21/300, 301, 570,
D21/573, 574, 575
CPC F41B 5/14; F41B 5/00; F41C 27/00; F41C
23/14; F41C 23/06; F41C 3/00; F41C
7/00; F41C 23/20; F41C 23/08; F41C
23/10; F41G 11/003; F41G 1/18; F41G
1/38; F41G 1/545

See application file for complete search history.

(56) **References Cited**

U.S. PATENT DOCUMENTS

D603,478 S *	11/2009	Hughes	F41G 11/001
				D22/110
D636,049 S *	4/2011	Hughes	F41G 11/001
				D22/109
D636,837 S *	4/2011	Hughes	F41G 11/001
				D22/109
D669,553 S *	10/2012	Hughes	D22/109
D669,958 S *	10/2012	Essig	D22/108
D669,959 S *	10/2012	Johnston	D22/108
D674,861 S *	1/2013	Johnston	D22/109
D674,862 S *	1/2013	Johnston	D22/109

D687,120 S *	7/2013	Hughes	D22/109
D692,518 S *	10/2013	Anderson	D22/108
D693,898 S *	11/2013	Essig	D22/108
D694,847 S *	12/2013	Anderson	D22/108
D694,848 S *	12/2013	Anderson	D22/109
D696,376 S *	12/2013	Anderson	D22/109
D709,981 S *	7/2014	Johnston	D22/108
D738,456 S *	9/2015	Hughes	D22/109
D738,457 S *	9/2015	Johnston	D22/109
D763,400 S *	8/2016	Johnston	D22/109

(Continued)

OTHER PUBLICATIONS

<https://www.cheaperthandirt.com/product/crimson-trace-lg-457-red-laserguard-for-s-and-w-sd9-sd40-sd9ve-sd40ve-models-front-activation-polymer-housing-matte-black-610242008704.do>—Earliest product review of Jun. 23, 2018.*

(Continued)

Primary Examiner — Manpreet S Matharu

Assistant Examiner — Mojtaba Tehrani

(74) *Attorney, Agent, or Firm* — Schwabe, Williamson & Wyatt, P.C.

(57) **CLAIM**

The ornamental design for a laser device, as shown and described.

DESCRIPTION

FIG. 1 is a perspective view of a laser device, showing our new design;

FIG. 2 is a front view thereof;

FIG. 3 is a rear view thereof;

FIG. 4 is a right side view thereof;

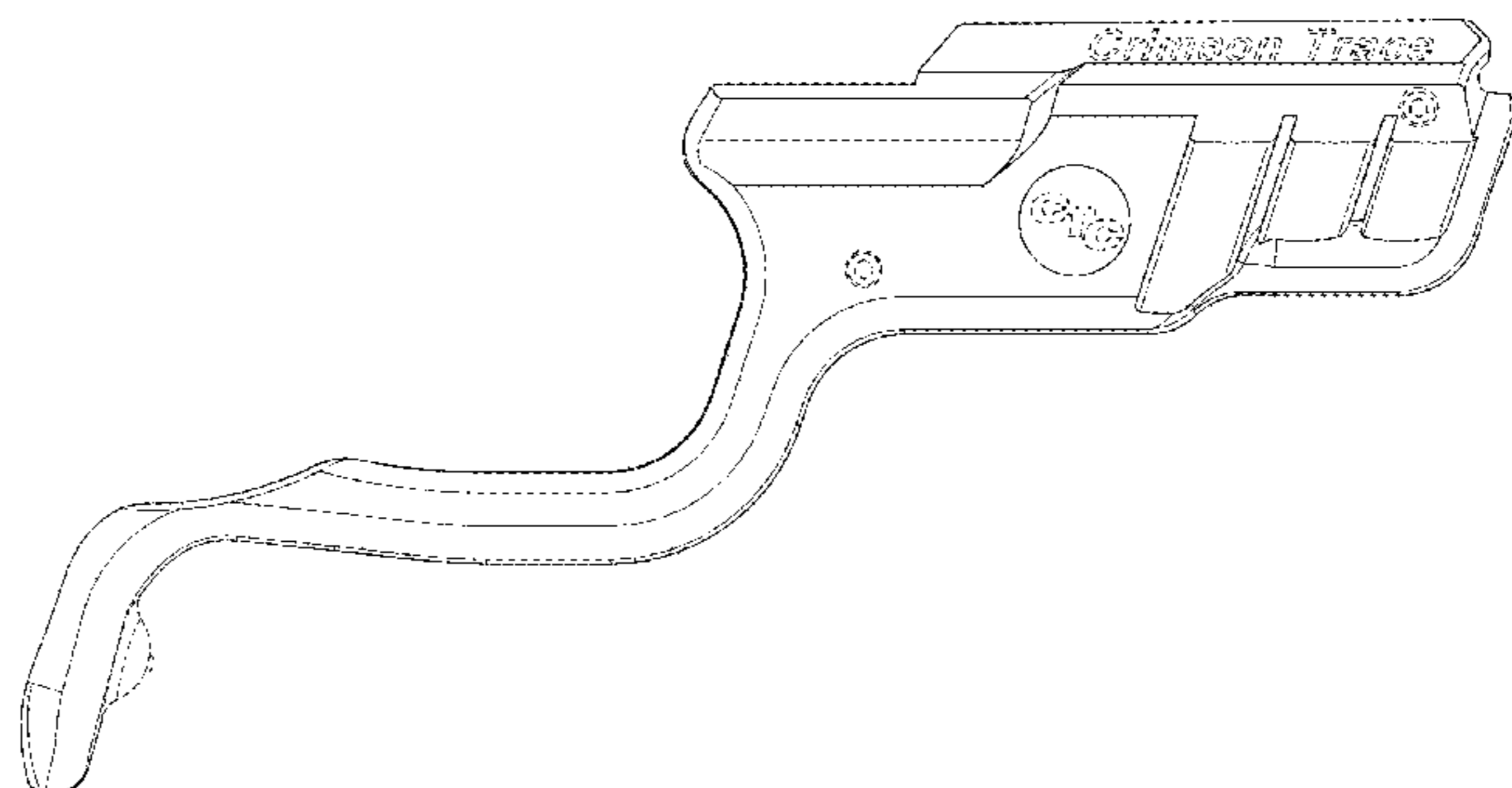
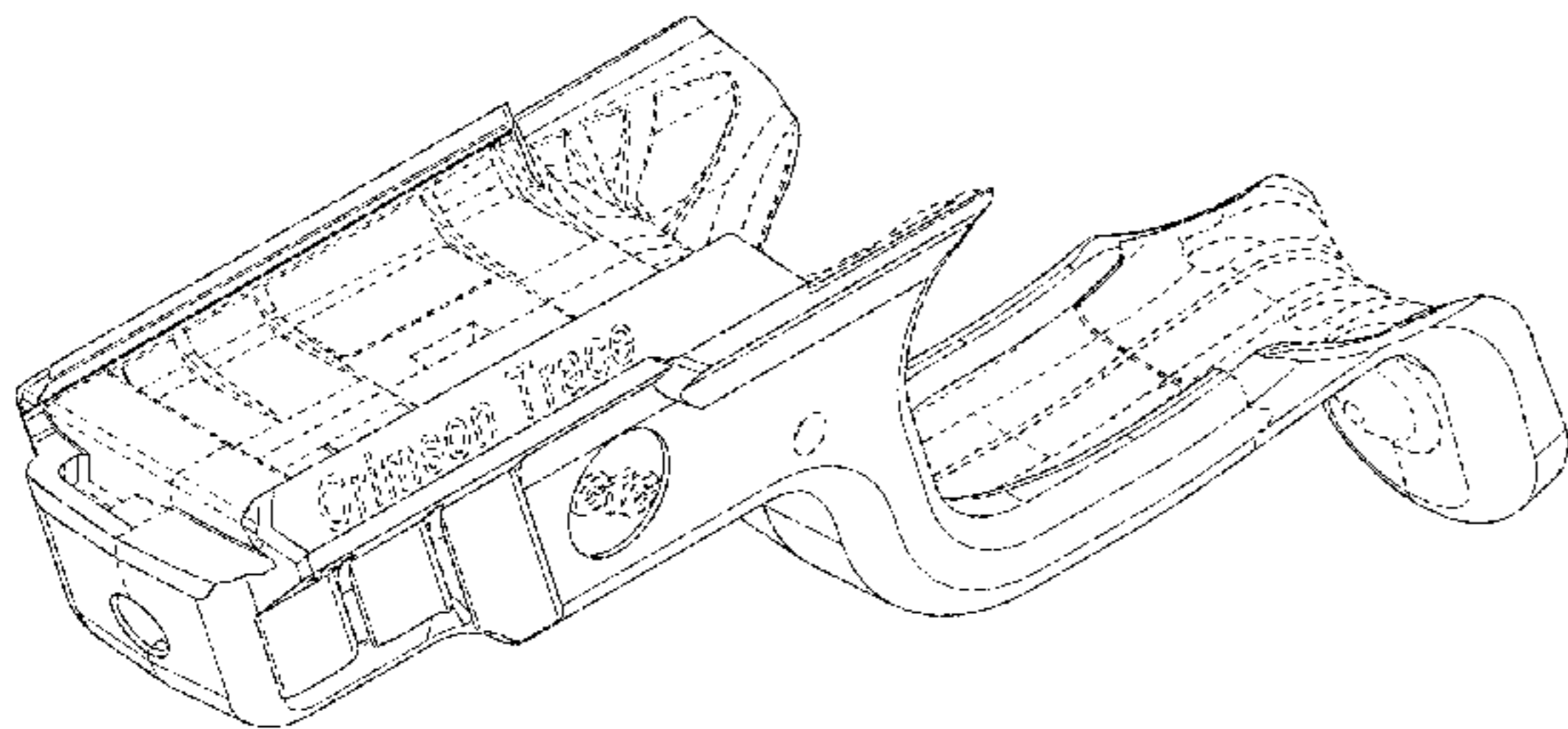
FIG. 5 is a left side view thereof;

FIG. 6 is a top view thereof; and,

FIG. 7 is a bottom view thereof.

The dashed lines are included for illustrating interior and/or environmental structures and form no part of the claimed design.

1 Claim, 7 Drawing Sheets



(56)

References Cited

U.S. PATENT DOCUMENTS

D792,544 S * 7/2017 Hartley D22/108
D802,704 S * 11/2017 Planck D22/109
D812,179 S * 3/2018 Anderson D22/109
D812,180 S * 3/2018 Anderson D22/109
D812,182 S * 3/2018 Ramasubramanian D22/109
D812,707 S * 3/2018 Planck D22/109
2012/0124885 A1* 5/2012 Caulk F41G 1/35
42/146
2012/0144718 A1* 6/2012 Danielson F41G 1/35
42/117
2013/0074351 A1* 3/2013 Kowalczyk G01B 11/27
33/286

OTHER PUBLICATIONS

<https://www.crimsontrace.com/products/type/laserguard/01-7570>—
Retrieved on Jul. 23, 2018.*

* cited by examiner

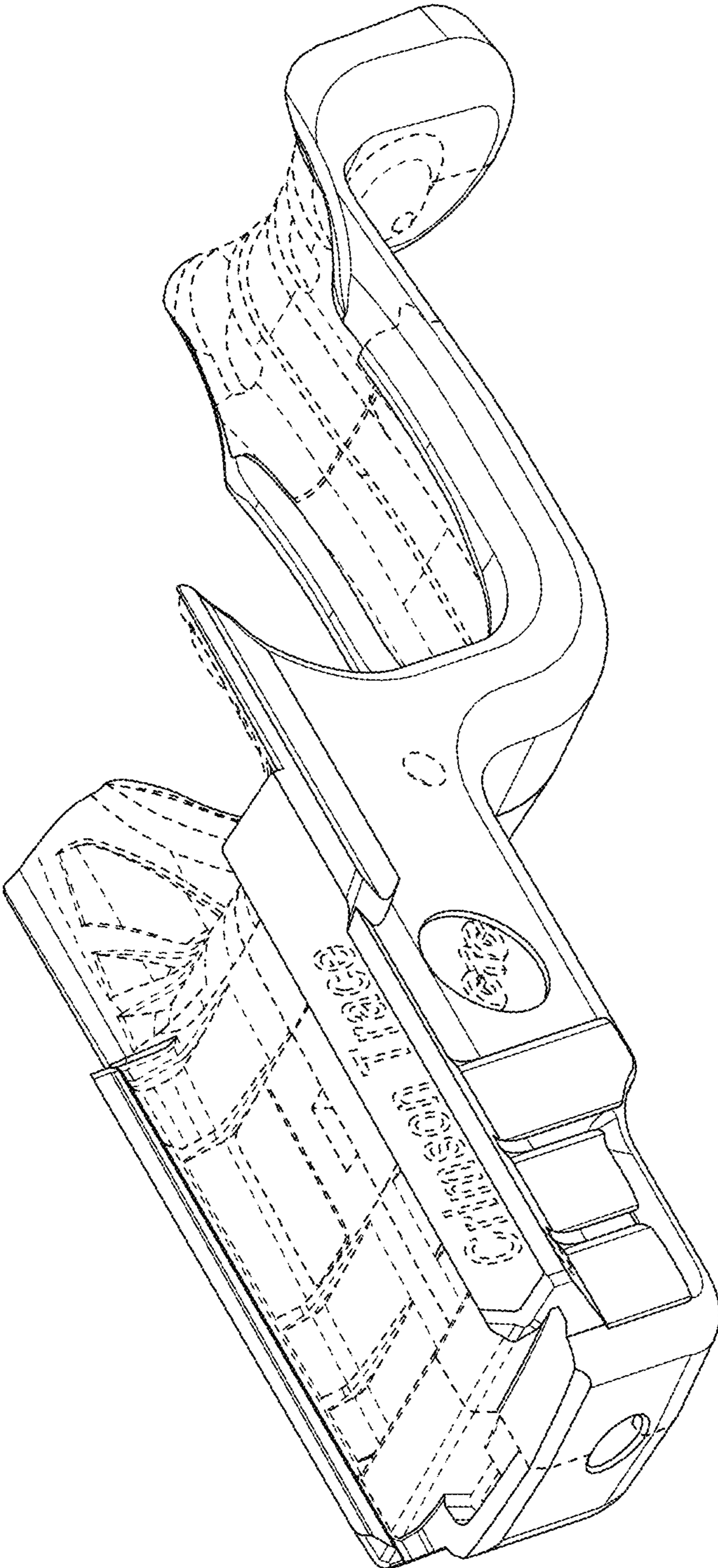


FIG. 1

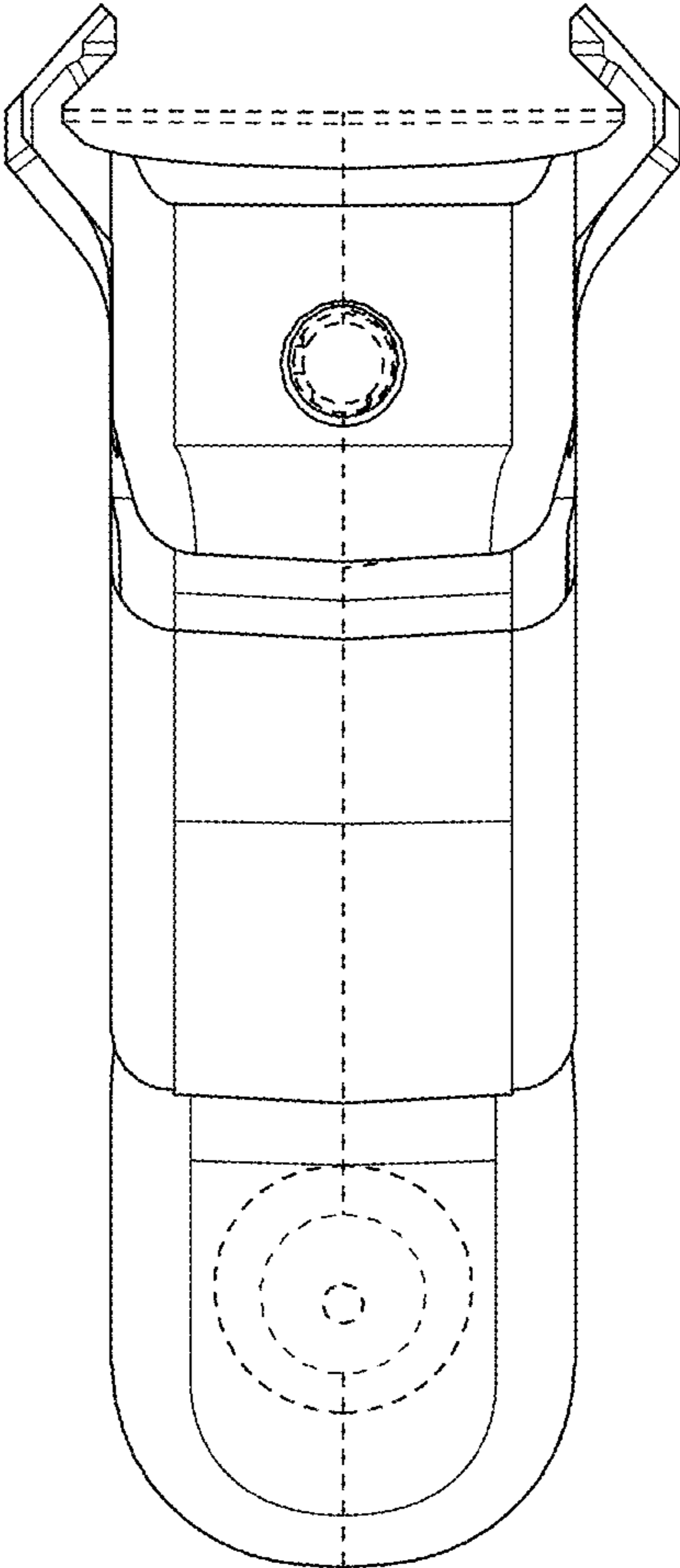


FIG. 2

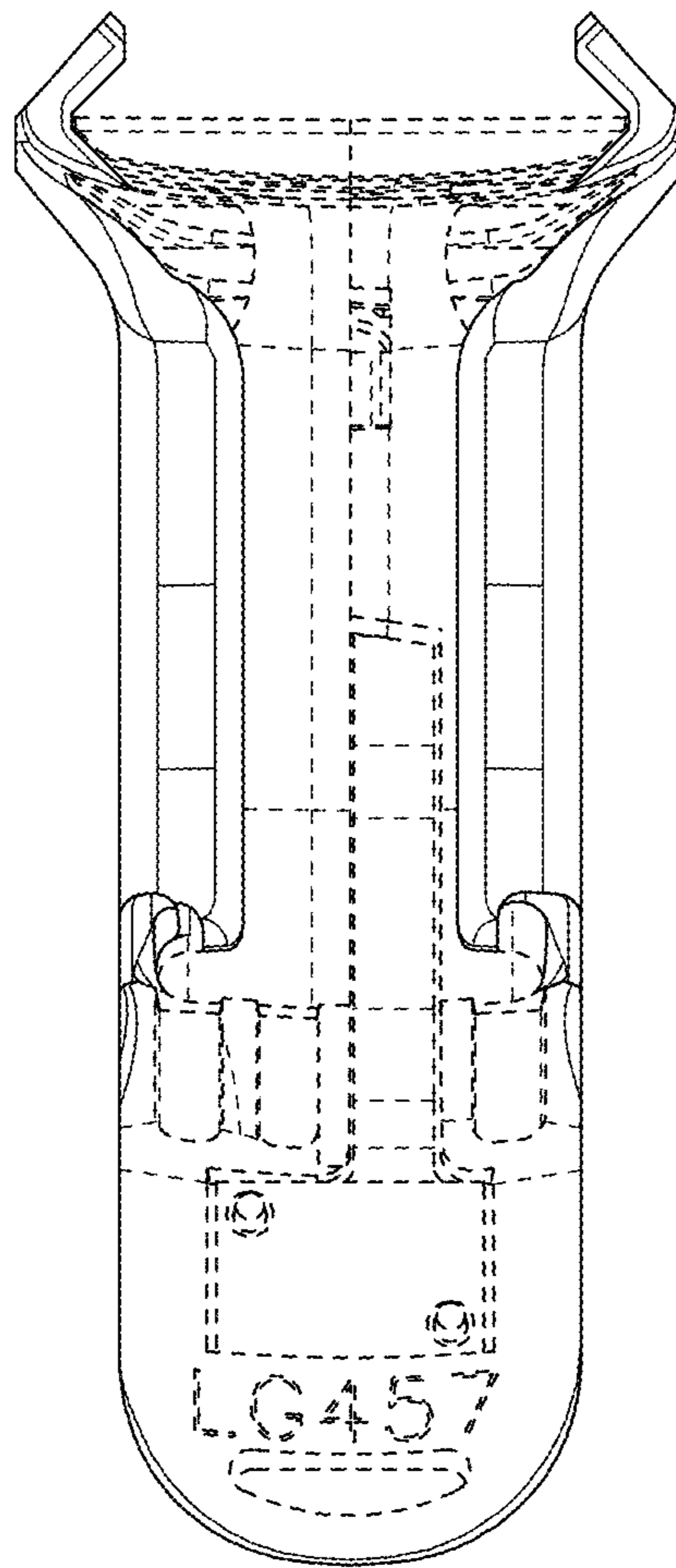


FIG. 3

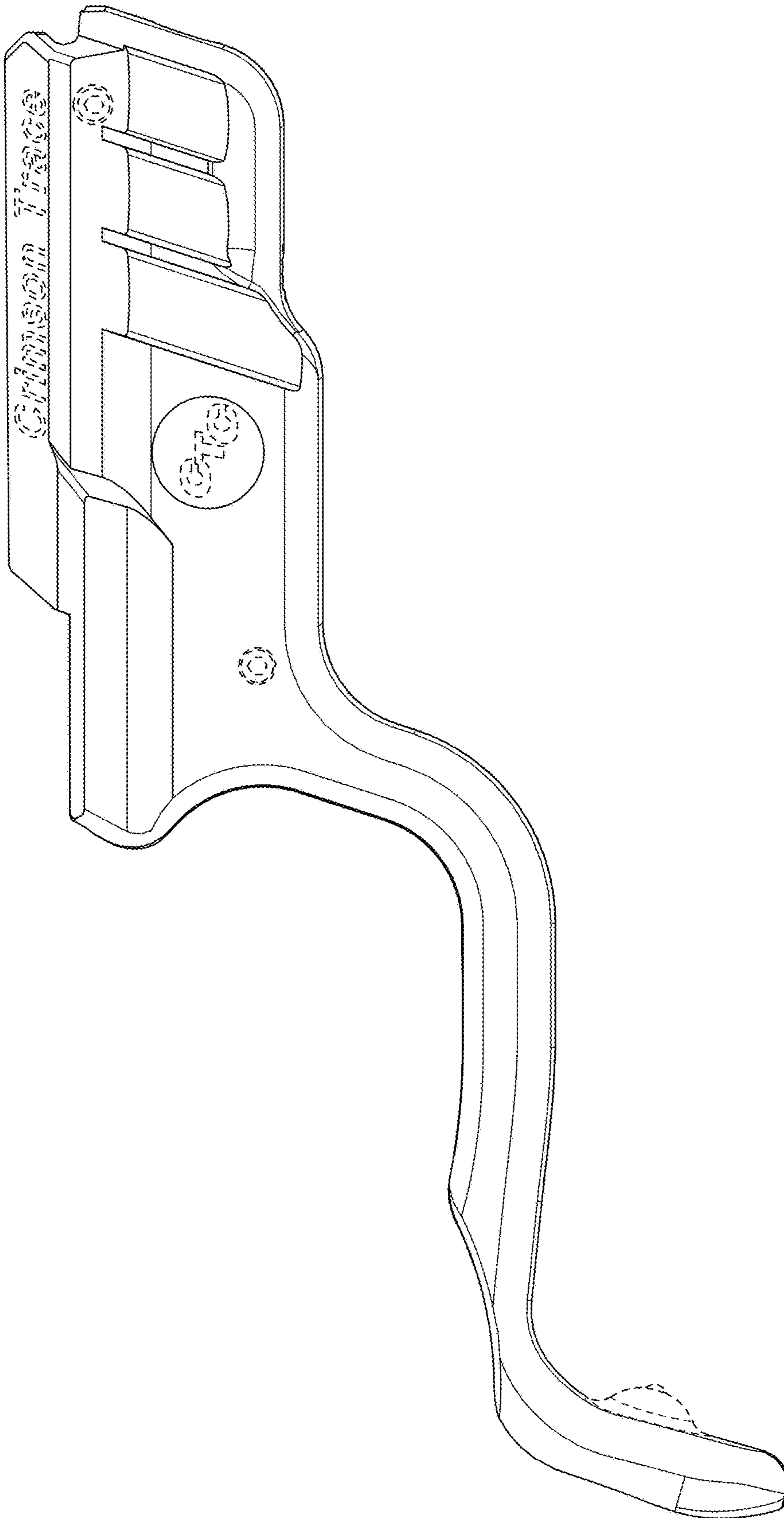


FIG. 4

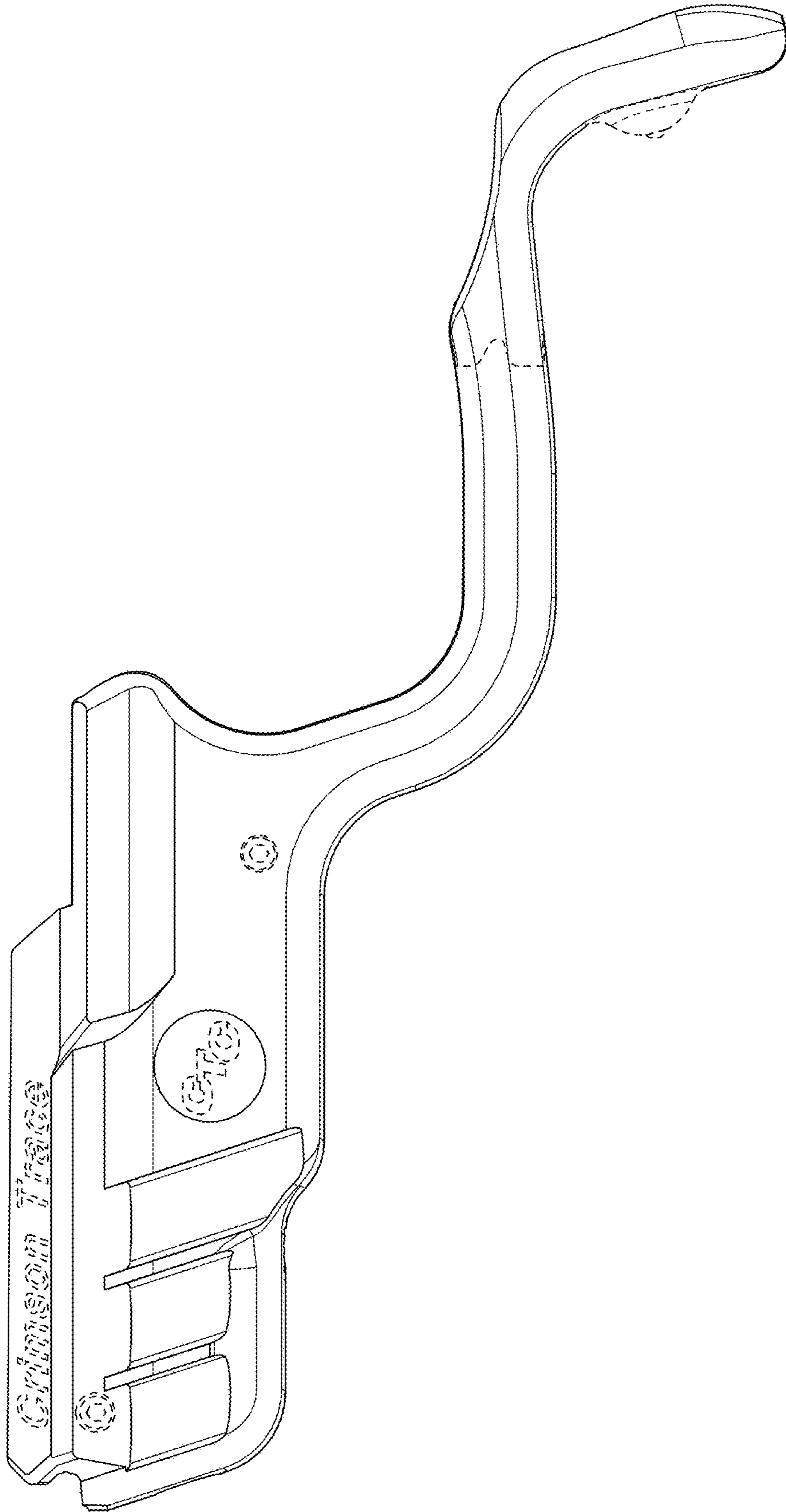


FIG. 5

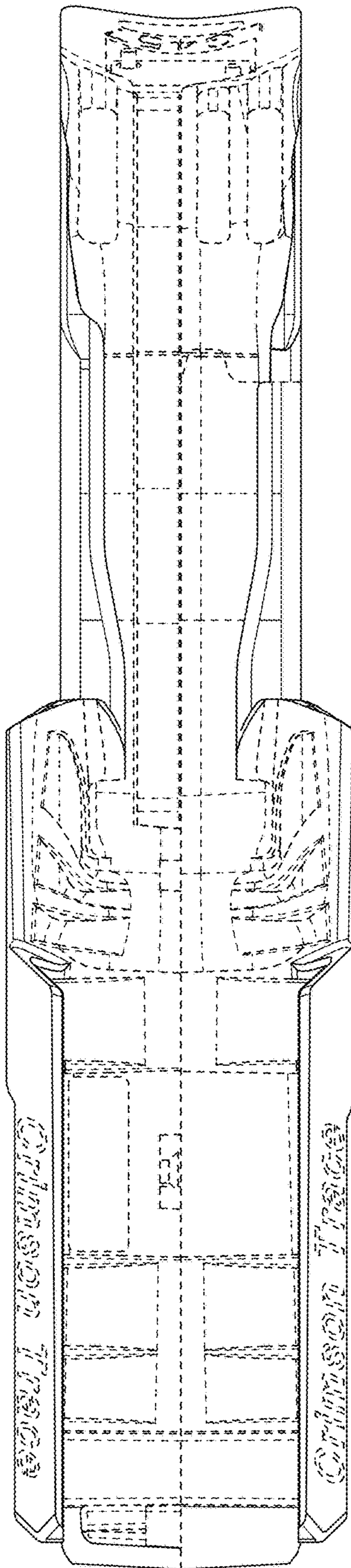


FIG. 6

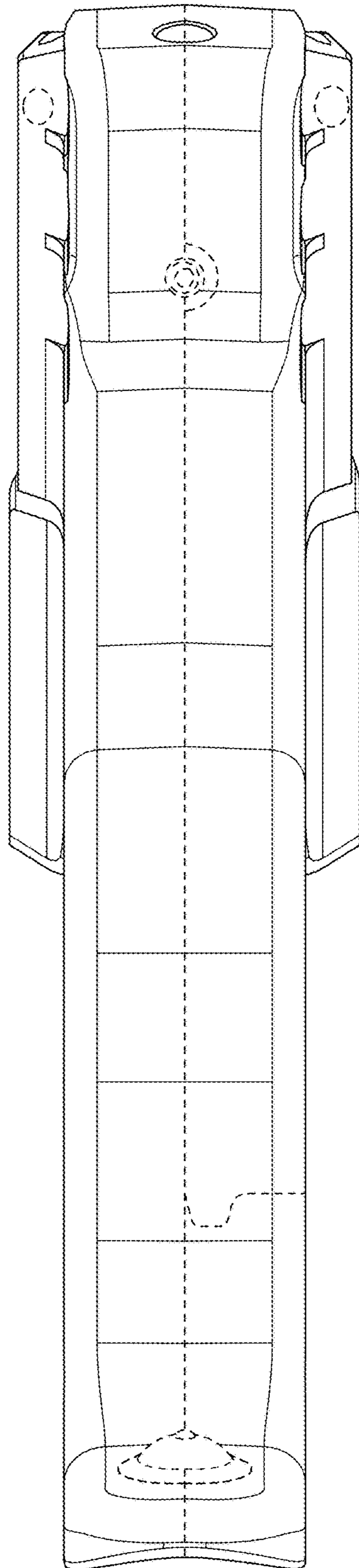


FIG. 7