



US00D831778S

(12) **United States Design Patent** (10) **Patent No.:** **US D831,778 S**  
**Geissele et al.** (45) **Date of Patent:** **\*\* Oct. 23, 2018**

(54) **FIREARM ACCESSORY MOUNT**

(56) **References Cited**

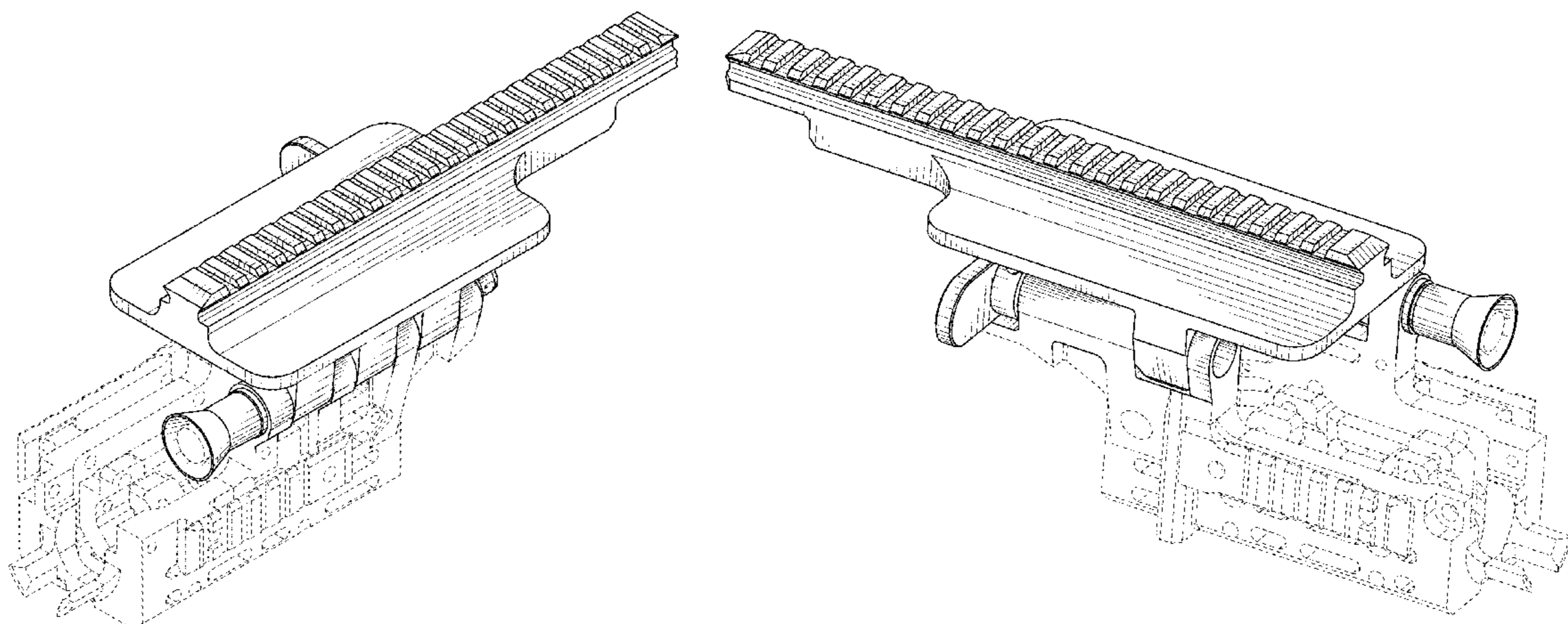
- (71) Applicant: **WHG Properties, LLC**, North Wales, PA (US)
- (72) Inventors: **William H. Geissele**, Lower Gwynedd, PA (US); **Frank E. Robinson**, Schwenksville, PA (US)
- (73) Assignee: **WHG Properties, LLC**, North Wales, PA (US)
- (\*\*) Term: **15 Years**
- (21) Appl. No.: **29/619,578**
- (22) Filed: **Sep. 29, 2017**

U.S. PATENT DOCUMENTS

D318,313	S	*	7/1991	Bechtel	.....	D22/110
5,134,798	A	*	8/1992	Lee	.....	F41G 11/003
						42/114
5,590,484	A	*	1/1997	Mooney	.....	F41G 1/16
						42/111
D410,061	S	*	5/1999	Emerson	.....	D22/100
5,941,489	A		8/1999	Fanelli		
D435,885	S		1/2001	Wallace		
D486,878	S		2/2004	Selvaggio		
D487,792	S	*	3/2004	Selvaggio	.....	D22/110
D510,120	S		9/2005	Ding		
D511,365	S		11/2005	Ding		
D513,298	S		12/2005	Ding		
D513,299	S		12/2005	Ding		
D513,633	S	*	1/2006	Ding	.....	D22/110
D533,618	S		12/2006	Swan		
D537,901	S		3/2007	Elkaim		
D542,880	S		5/2007	Cheng		
D543,605	S		5/2007	Cheng		
D548,811	S		8/2007	Swan		
D555,751	S	*	11/2007	Cheng	.....	D22/109
7,367,152	B2		5/2008	Samson		
D577,094	S		9/2008	Wallace		
7,481,016	B2		1/2009	Gonzalez		
D606,155	S		12/2009	Swan		
D630,698	S		1/2011	Peterson		
D632,753	S	*	2/2011	Leighton	.....	D22/109
D637,683	S		5/2011	Salsman		
D643,086	S	*	8/2011	Peterson	.....	D22/103
8,104,211	B2		1/2012	Darian		
D654,134	S		2/2012	Edge		
D654,135	S		2/2012	Edge		
D672,840	S	*	12/2012	Neufeld	.....	D22/108
D673,239	S	*	12/2012	Cheng	.....	D22/109
D674,034	S	*	1/2013	Oliver	.....	D22/108
D674,860	S		1/2013	Deros		
8,341,866	B1		1/2013	Gardini		
D676,095	S		2/2013	Peterson		
8,510,983	B2		8/2013	Larue		
D709,582	S		7/2014	Geissele		
D713,921	S	*	9/2014	Williams	.....	D22/109
8,857,097	B2		10/2014	Rorick		
D718,832	S	*	12/2014	Huang	.....	D22/108
8,898,948	B1		12/2014	Gardini		
D725,223	S		3/2015	Heidkamp		
9,015,982	B1		4/2015	Powers		
D732,628	S		6/2015	Cheng		
D732,631	S	*	6/2015	Cheng	.....	D22/109
D732,634	S	*	6/2015	Cheng	.....	D22/109

**Related U.S. Application Data**

- (62) Division of application No. 29/575,465, filed on Aug. 25, 2016, now Pat. No. Des. 802,077.
- (51) **LOC (11) Cl.** ..... **22-01**
- (52) **U.S. Cl.**  
USPC ..... **D22/109**
- (58) **Field of Classification Search**  
USPC ..... D22/108-109; D16/130, 132-134, 330; 89/111-113; 359/399, 823; 42/104, 105, 42/111-113, 116, 120, 124-126, 42/127-129, 141-148, 133-140; 33/227, 33/229  
CPC ..... F41G 1/00; F41G 1/01; F41G 1/02; F41G 1/06; F41G 1/065; F41G 1/08; F41G 1/10; F41G 1/12; F41G 1/14; F41G 1/30; F41G 1/32; F41G 1/38; F41G 1/40; F41G 1/42; F41G 1/44; F41G 1/46; F41G 1/383; F41G 1/387; F41G 1/393; F41G 3/00; F41G 3/005; F41G 3/02; F41G 3/04; F41G 3/06; F41G 3/14; F41G 11/001; F41G 11/002; F41G 11/003; F41G 11/004; F41G 11/005  
See application file for complete search history.



D733,249	S	*	6/2015	Cheng	.....	D22/109
D737,923	S		9/2015	Norberg		
D737,925	S		9/2015	Norberg		
D738,986	S		9/2015	Anderson		
D739,912	S		9/2015	Norberg		
D741,442	S	*	10/2015	Wilson	.....	D22/108
9,285,186	B1		3/2016	Di Veroli		
D761,929	S		7/2016	Hormann		
D768,256	S	*	10/2016	Bentley	.....	D22/108
9,470,480	B2	*	10/2016	Kirchhoff	.....	F41G 11/001
D781,985	S	*	3/2017	McKillips	.....	D22/108
D787,007	S	*	5/2017	Maughn	.....	D22/108
D795,378	S	*	8/2017	Huang	.....	D22/108
D802,077	S	*	11/2017	Geissele	.....	D22/109
D817,437	S	*	5/2018	Hancosky	.....	D22/109
2006/0162227	A1		7/2006	Samson		
2007/0199225	A1		8/2007	Haugen		
2008/0005952	A1		1/2008	Sutherby		
2009/0038201	A1		2/2009	Cheng		
2011/0192068	A1		8/2011	Samson		
2011/0197491	A1		8/2011	McCann		
2013/0008073	A1		1/2013	Clifton		
2013/0036650	A1		2/2013	Lame		
2013/0185985	A1		7/2013	Ballard		
2013/0312309	A1		11/2013	Rorick		
2015/0198397	A1		7/2015	Motley		
2016/0033234	A1		2/2016	Swift		
2016/0102946	A1		4/2016	Sharron		
2016/0102947	A1		4/2016	Visinski		
2017/0023333	A1		1/2017	Faifer		
2017/0059280	A1		3/2017	Fravor		

OTHER PUBLICATIONS

M2 Browning Scope Mount with Picatinny Rail, ModArmory.com, [online], [site visited May 17, 2018]. <URL: <https://www.modarmory.com/product/nn2-browning-scope-mount-with-picatinny-rail/>> (Year: 2018).\*

M1A/M14 Receiver Scope Mount, SportsmansGuide.com, [online], [site visited May 17, 2018]. <URL: <https://www.sportsmansguide.com/product/index/m1a-m14-receiver-scope-mount?a=691402>> (Year: 2018).\*

M39 Mosin Nagant Scope Mount, AdvancedRifleParts.com, [online], [site visited May 17, 2018]. <URL: <https://www.advancedrifleparts.com/products/m39-mosin-nagant-scope-mount>> (Year: 2018).\*

Leapers UTG Deluxe New Generation M1A 4 Point Picatinny Style Mount, CheaperThanDirt.com, [online], [site visited May 17, 2018]. <URL: <https://www.cheaperthandirt.com/product/leapers-utg-deluxe-new-generation-4-point-picatinny-style-mount-m1a-matte-4712274521933.do?sortby=ourPicks&refType=&from=fn>> (Year: 2018).\*

Aluminum Alloy Extension Gun Rail Mount for M4A1 | M16—Black, DX.com, [online], [site visited Jun. 19, 2017]. URL: <http://www.dx.com/p/aluminum-alloy-extension-gun-rail-mount-for-m4a1-m-16-black-168343#>. WUguHf7rtmM.

Aim Sports Saiga 12g Quad Rail Mount with Covers, MountsPlus.com, [online], [site visited Jun. 19, 2017]. URL: [http://www.mountsplus.com/AR-15\\_Accessories/AR-15\\_Scope\\_Rings/136-AIMS-MTSG02.html](http://www.mountsplus.com/AR-15_Accessories/AR-15_Scope_Rings/136-AIMS-MTSG02.html).

H&R1871 Nef Pardner Pump Shotgun Scope Base Rail Mount, TrinitySupply.com, [online], [site visited Jun. 19, 2017]. URL: <https://www.trinitysupply.com/H-R-1871-shotgun-saddle-mount-p/tr295.htm>.

Ultimate Arms Gear Tactical Heavy Duty Scope Sight Red Dot Weaver Picatinny Rail Mount, [online], [site visited Jun. 19, 2017]. URL: <http://ultimatearmsgear.com/products/ultimate-arms-gear-tactical-heavy-duty-scope-sight-red-dot-weaver-picatinny-rail-mount-for-the-m14-m-14-m1a-norinco-m305-battle-rifle>.

FN-FN Picatinny Direct Thread USG Side Rail Aluminum, Brownells.com, [online], [site visited Jun. 19, 2017]. URL: <http://www.brownells.com/rifle-parts/forend-amp-handguard-parts/handguards-amp-rails/fn-picatinny-direct-thread-usg-side-rail-aluminum-prod72446.aspx>.

EGW HD 1-piece Picatinny-Style Scope Base 11 mm Dovetail Adapter CZ 452, 453, 455, 511 Matte, MidwayUSA.com, [online], [site visited Jun. 19, 2017]. URL: <https://www.midwayusa.com/product/1018817933/egw-hd-1-piece-picatinny-style-scope-base-11mm-dovetail-adapter-cz-452-453-455-511-matte>.

Sadlak Scope Mount M1A, M14 Matter, MidwayUSA.com, [online], [site visited Jun. 19, 2017]. URL: <https://www.midwayusa.com/product/2959580945/sadlak-scope-mount-m1a-m14-matte>.

ArmaDynamics PKM-RAP Mount, Amazon.com, [online], [site visited Jun. 19, 2017]. URL: [https://www.amazon.com/Armadynamics-ArmaDynamics-PKM-RAP-Mount/dp/B003J1IVS8/ref=sr\\_1\\_189?s=hunting-fishing&ie=UTF8&qid=1497904857&sr=1-189&refinements=p\\_n\\_feature-keywords-browse-bin%3A4357984011](https://www.amazon.com/Armadynamics-ArmaDynamics-PKM-RAP-Mount/dp/B003J1IVS8/ref=sr_1_189?s=hunting-fishing&ie=UTF8&qid=1497904857&sr=1-189&refinements=p_n_feature-keywords-browse-bin%3A4357984011).

\* cited by examiner

Primary Examiner — T Chase Nelson

Assistant Examiner — Jonathan J. Han

(74) Attorney, Agent, or Firm — Fox Rothschild LLP

(57)

CLAIM

The ornamental design for a firearm accessory mount, as shown and described.

DESCRIPTION

FIG. 1 is a perspective view of a firearm accessory mount according to the present disclosure.

FIG. 2 is another perspective view of the firearm accessory mount of FIG. 1.

FIG. 3 is a front view of the firearm accessory mount of FIG. 1.

FIG. 4 is a rear view of the firearm accessory mount of FIG. 1.

FIG. 5 is a left side view of the firearm accessory mount of FIG. 1.

FIG. 6 is a right side view of the firearm accessory mount of FIG. 1.

FIG. 7 is a top view of the firearm accessory mount of FIG. 1; and,

FIG. 8 is a bottom view of the firearm accessory mount of FIG. 1.

The broken lines in the Figures illustrate portions of the article that form no part of the claimed design.

1 Claim, 7 Drawing Sheets

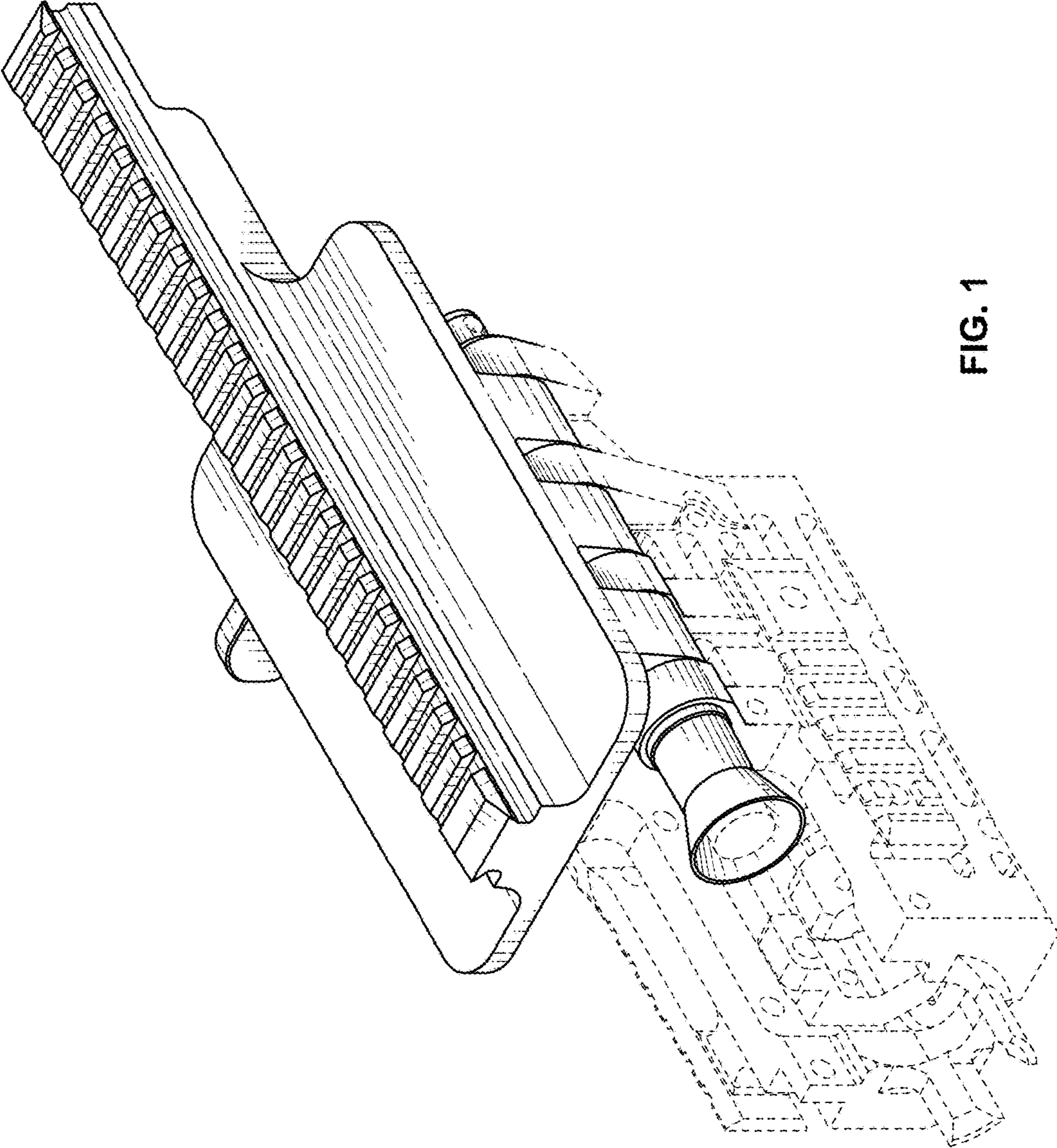


FIG. 1

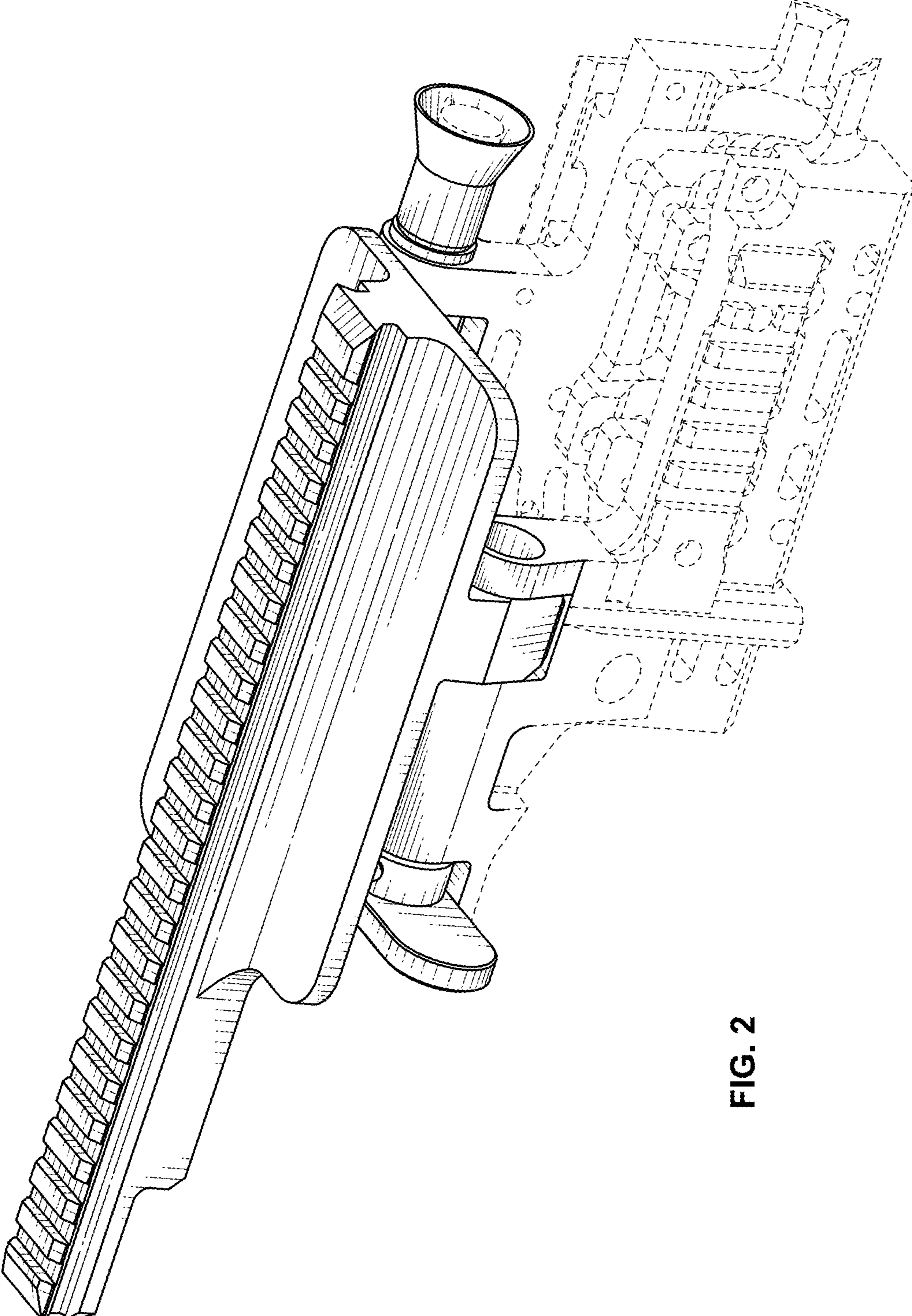


FIG. 2

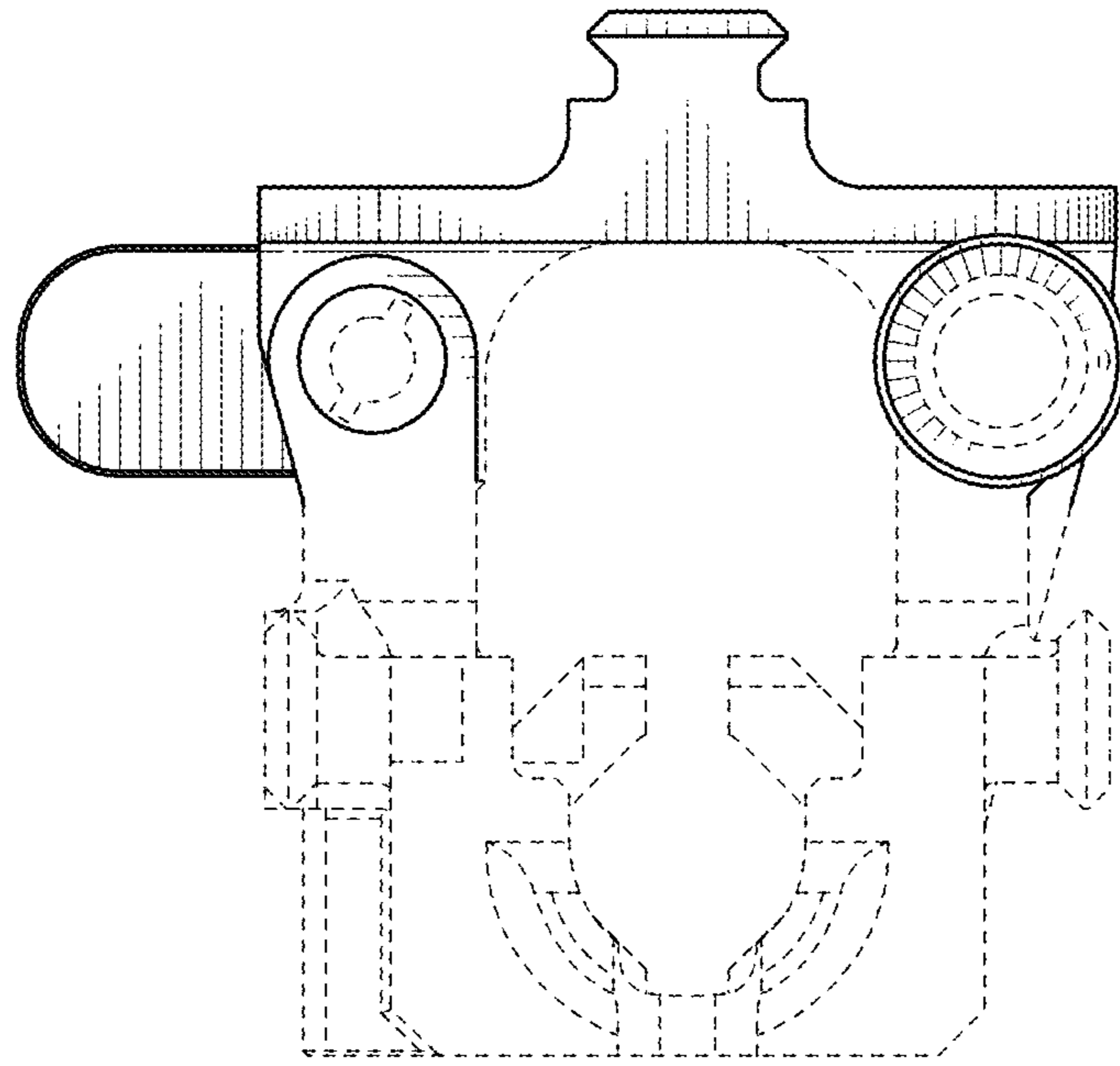


FIG. 3

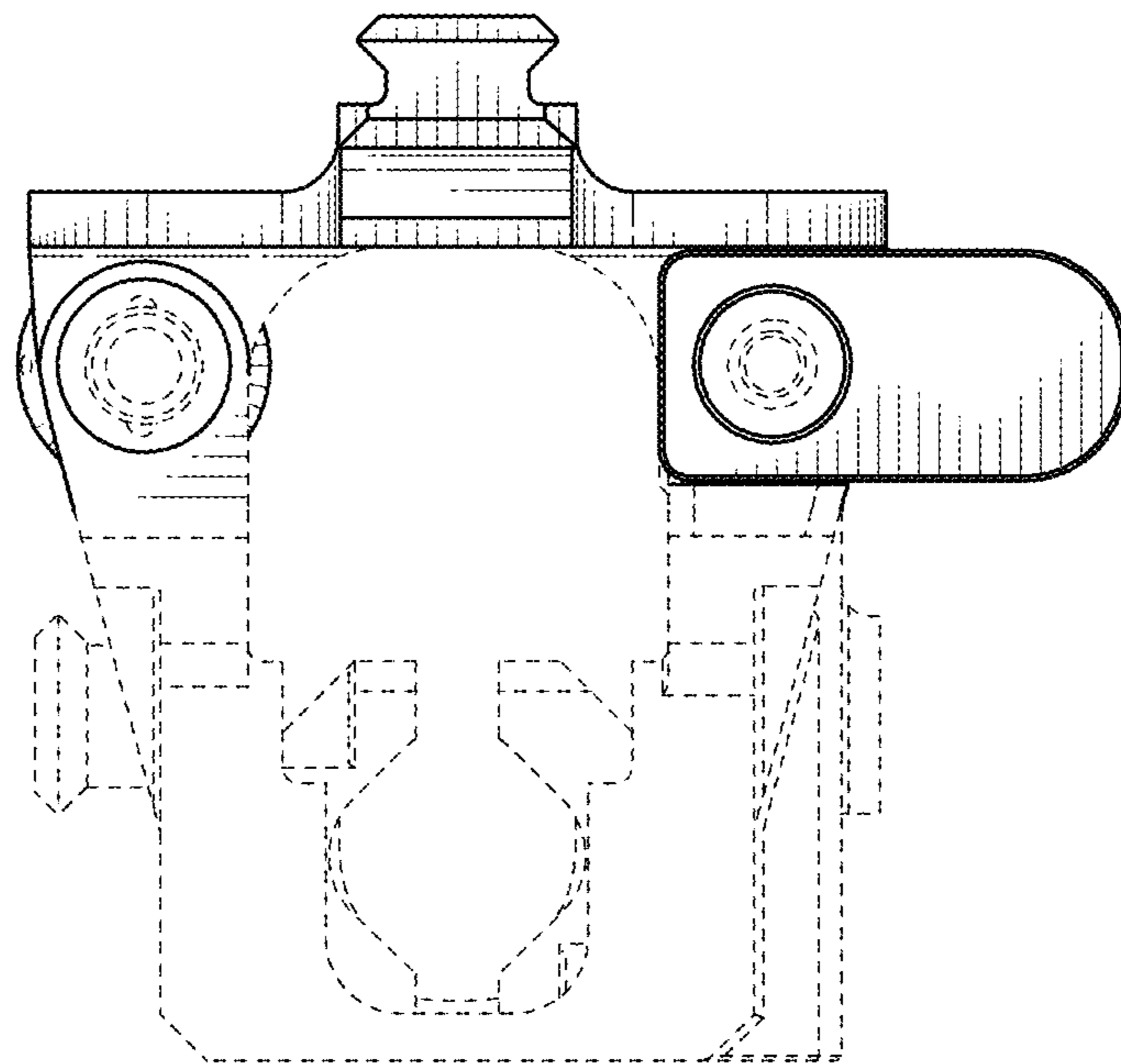


FIG. 4

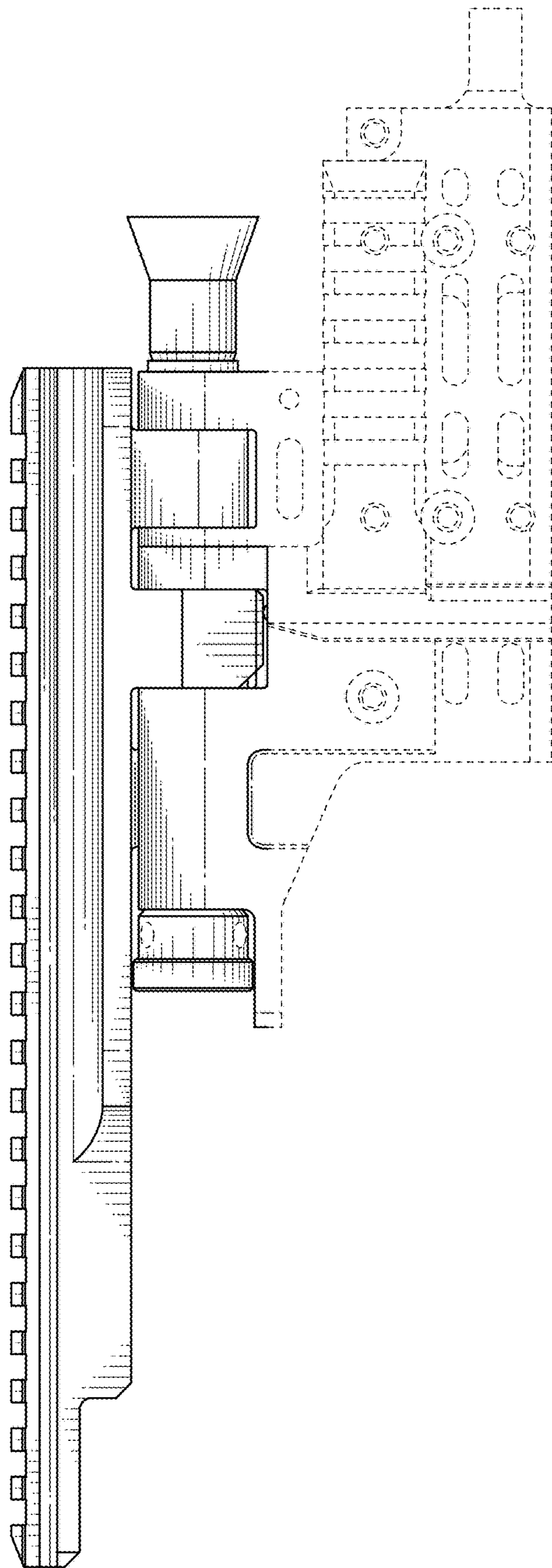


FIG. 5

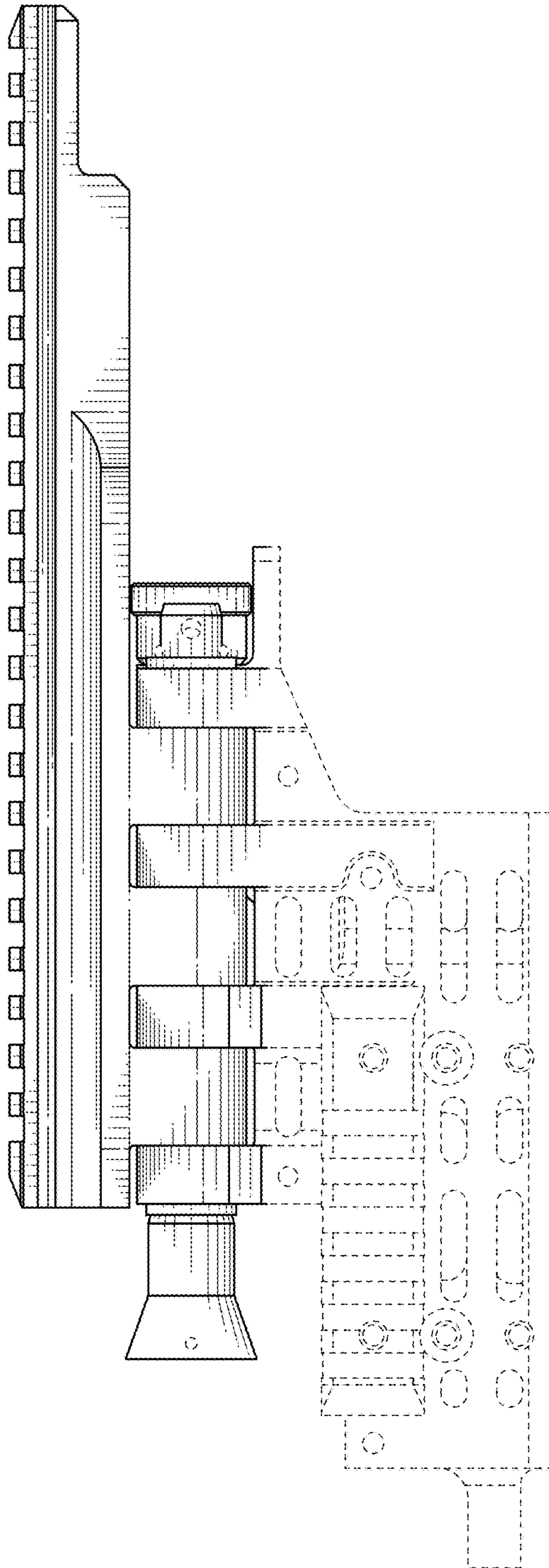


FIG. 6

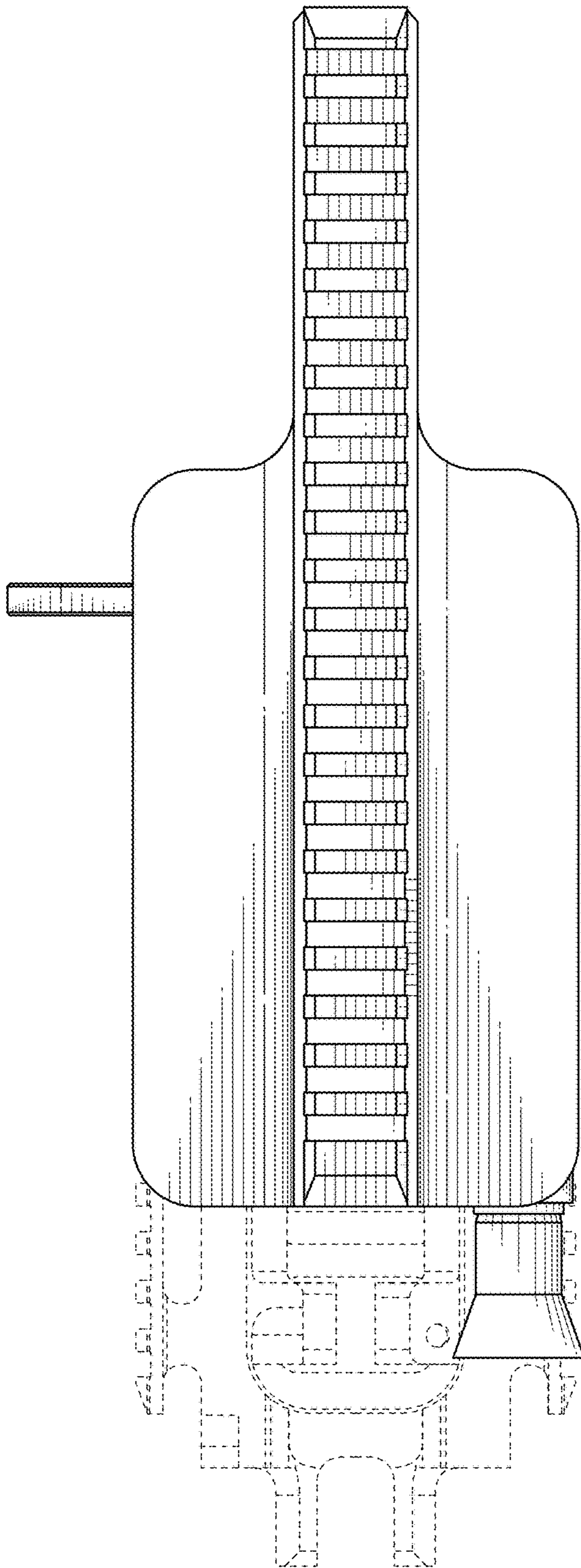


FIG. 7



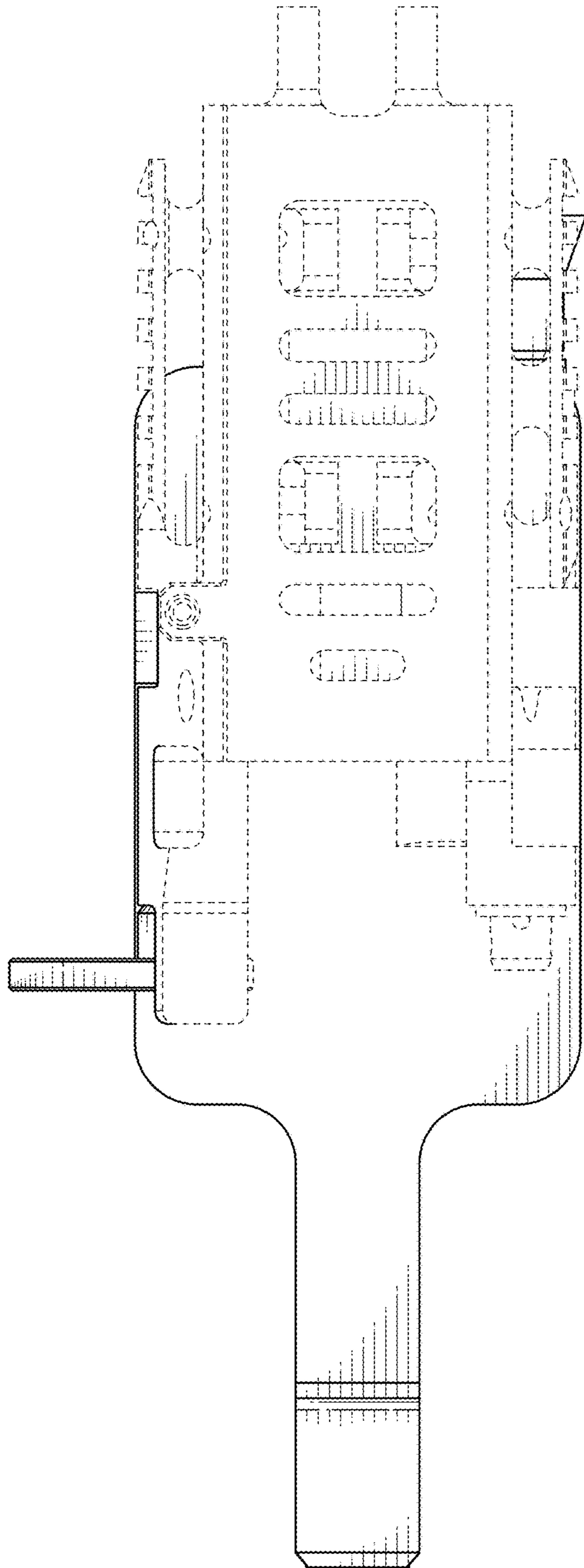


FIG. 8