



US00D831776S

(12) **United States Design Patent** (10) **Patent No.:** **US D831,776 S**  
**Geissele** (45) **Date of Patent:** **\*\* Oct. 23, 2018**

- (54) **FIREARM HANDGUARD**
- (71) Applicant: **WHG Properties, LLC**, North Wales, PA (US)
- (72) Inventor: **William H. Geissele**, Lower Gwynedd, PA (US)
- (73) Assignee: **WHG Properties, LLC**, North Wales, PA (US)
- (\*\*) Term: **15 Years**
- (21) Appl. No.: **29/634,316**
- (22) Filed: **Jan. 19, 2018**

**Related U.S. Application Data**

- (62) Division of application No. 29/586,715, filed on Dec. 6, 2016, now Pat. No. Des. 809,084.
- (51) **LOC (11) Cl.** ..... **22-01**
- (52) **U.S. Cl.**  
USPC ..... **D22/108**
- (58) **Field of Classification Search**  
USPC ..... D22/103, 108; D21/572-575; D14/418;  
42/71.01, 75.01, 75.02, 90, 94, 134, 136,  
42/139, 125, 72, 111; 89/40.06, 41.19,  
89/37.04, 33.04, 191.01, 200-204;  
124/66, 67, 72, 74  
CPC ..... F41C 23/00; F41C 27/00; F41C 27/06;  
F41C 23/10; F41C 23/14; F41C 23/16;  
F41C 23/18  
See application file for complete search history.

(56) **References Cited**

**U.S. PATENT DOCUMENTS**

- D279,812 S \* 7/1985 Cellini ..... 89/14.3
- D285,331 S \* 8/1986 Cellini ..... 89/14.3
- D475,798 S \* 6/2003 Galli ..... D26/37
- D476,103 S \* 6/2003 Galli ..... D26/37

- D501,054 S \* 1/2005 Galli ..... D26/37
- 6,836,990 B2 1/2005 Shiloni
- D549,860 S \* 8/2007 Gustafson ..... D26/37
- D557,839 S \* 12/2007 Shiu ..... D26/37
- D577,449 S \* 9/2008 Shiu ..... D26/49
- D593,631 S \* 6/2009 Salva ..... D22/108
- D641,450 S 7/2011 Ding
- D662,169 S \* 6/2012 Arnedo Vera ..... D22/108
- D682,974 S \* 5/2013 Honigmann ..... D22/108

(Continued)

**OTHER PUBLICATIONS**

Viking Tactics Modular Hand Guard System, SKDtac.com, [online], [site visited Jul. 6, 2018]. <URL: <https://www.skdtac.com/VTAC-JPHG-Rifle-p/vkg.214.htm>> (Year: 2018).\*

(Continued)

*Primary Examiner* — T Chase Nelson

*Assistant Examiner* — Jonathan J. Han

(74) *Attorney, Agent, or Firm* — Fox Rothschild LLP

(57) **CLAIM**

The ornamental design for a firearm handguard, as shown and described.

**DESCRIPTION**

FIG. 1 is a top, front, left side perspective view of a firearm handguard according to the present disclosure.

FIG. 2 is a right side view of the firearm handguard of FIG. 1.

FIG. 3 is a left side view of the firearm handguard of FIG. 1.

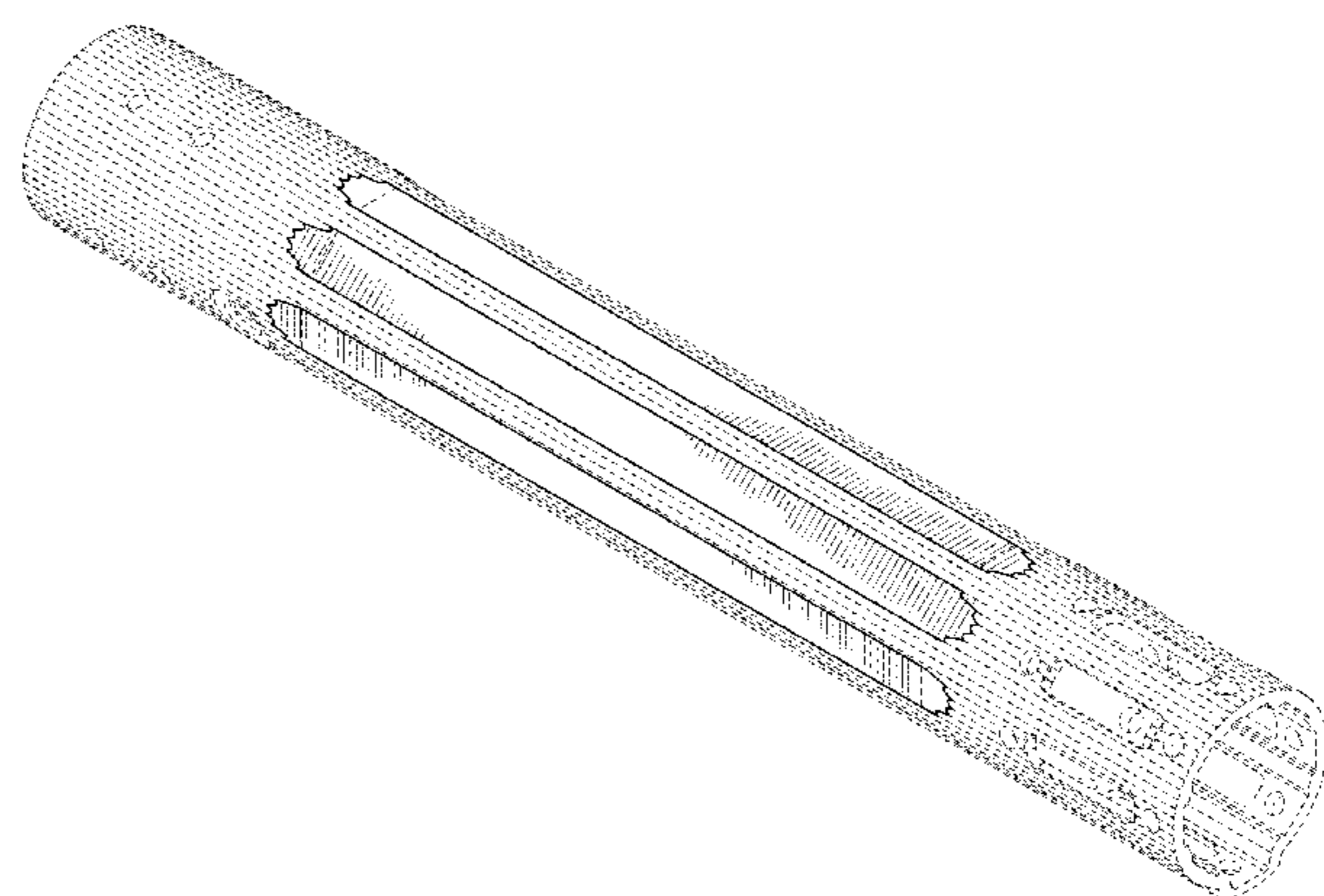
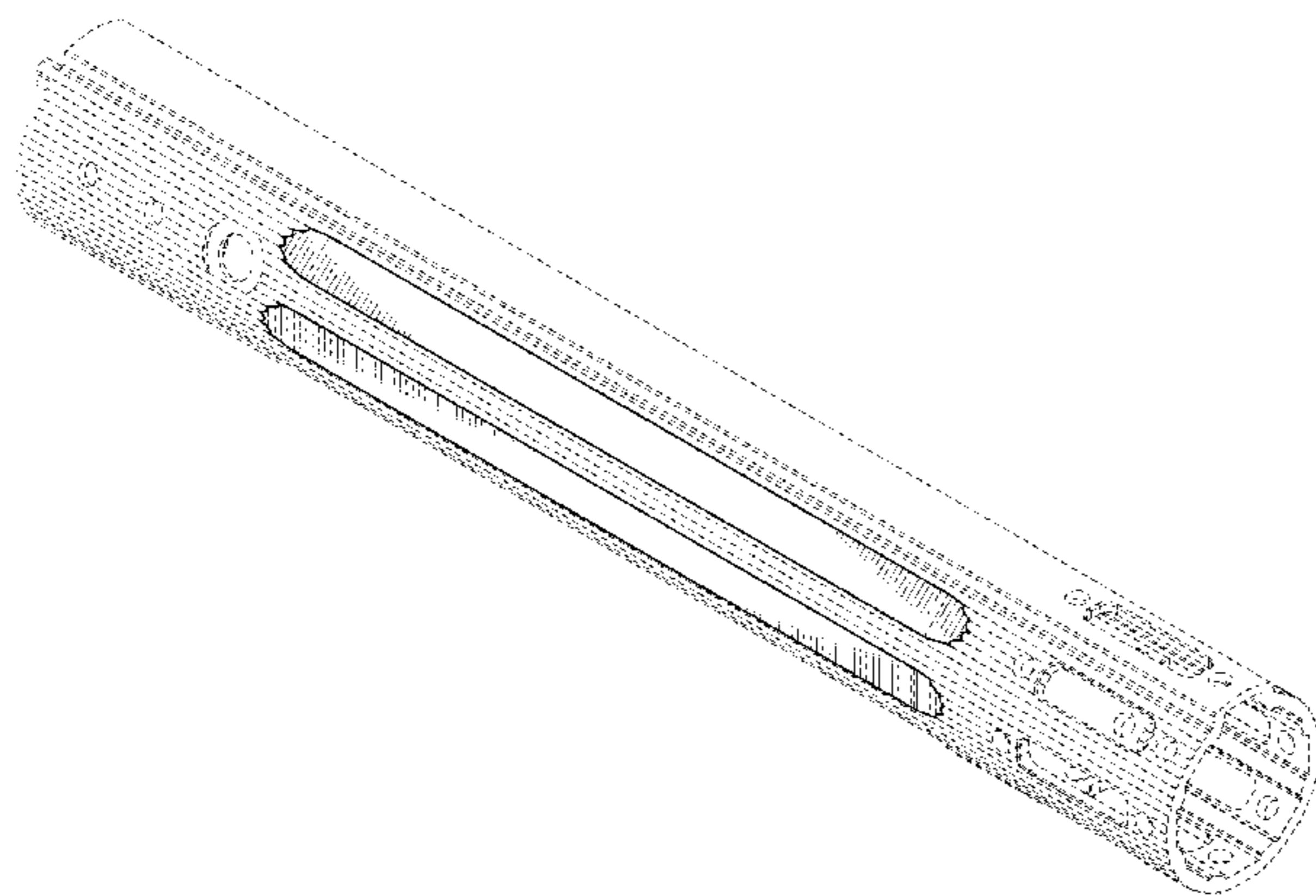
FIG. 4 is a top view of the firearm handguard of FIG. 1.

FIG. 5 is a bottom view of the firearm handguard of FIG. 1; and,

FIG. 6 is a bottom, front, right side perspective view of the firearm handguard of FIG. 1.

The broken lines in the Figures illustrate portions of the article that form no part of the claimed design.

**1 Claim, 4 Drawing Sheets**



(56)

References Cited

U.S. PATENT DOCUMENTS

D693,422 S \* 11/2013 Vera ..... D22/108  
 8,584,794 B2 \* 11/2013 Dueck ..... F41A 21/30  
 181/223  
 D709,582 S 7/2014 Geissele  
 D711,492 S 8/2014 Yan  
 D720,421 S 12/2014 Chu  
 D721,407 S 1/2015 Chu  
 8,973,481 B2 \* 3/2015 Dueck ..... F41A 21/325  
 181/223  
 D728,055 S 4/2015 Geissele  
 9,032,658 B2 \* 5/2015 Geissele ..... F41C 23/16  
 42/71.01  
 D747,428 S 1/2016 Chen  
 D752,171 S 3/2016 Chen  
 D754,274 S 4/2016 Geissele  
 9,389,043 B1 7/2016 Zhang  
 D768,255 S 10/2016 Geissele  
 D768,800 S 10/2016 Willits  
 D770,001 S 10/2016 Nicklos  
 D771,216 S 11/2016 Dubois  
 9,574,852 B1 2/2017 McKillips  
 9,599,430 B1 3/2017 Geissele  
 9,631,889 B2 4/2017 Geissele  
 D787,003 S 5/2017 Spector  
 D787,004 S 5/2017 Spector  
 D790,029 S 6/2017 Geissele  
 9,677,838 B2 \* 6/2017 Faxon ..... F41A 21/24  
 D792,549 S \* 7/2017 McKillips ..... D22/108  
 D795,984 S \* 8/2017 Frederickson ..... D22/108  
 D795,986 S 8/2017 Frederickson  
 9,784,518 B2 10/2017 Geissele  
 9,784,520 B2 10/2017 Geissele  
 D809,084 S \* 1/2018 Geissele ..... D22/108  
 9,857,138 B2 \* 1/2018 Geissele ..... B25B 13/48  
 D812,177 S \* 3/2018 Geissele ..... D22/108

D816,794 S \* 5/2018 Geissele ..... D22/108  
 D818,073 S \* 5/2018 Dubois ..... D22/108  
 2012/0186123 A1 7/2012 Troy  
 2012/0291329 A1 11/2012 Ubl  
 2014/0075804 A1 3/2014 Langevin  
 2014/0130390 A1 5/2014 Geissele  
 2014/0373419 A1 12/2014 Leclair  
 2016/0178316 A1 6/2016 Miller  
 2017/0016695 A1 1/2017 Willits

OTHER PUBLICATIONS

Brigand Arms Carbon Black Series of AR-15 Handguards, TheFirearmBlog.com, Hrachya H., Jul. 2, 2018, [online], [site visited Jun. 7, 2018]. <URL: <https://www.thefirearmblog.com/blog/2018/07/02/new-brigand-arms-carbon-black-edge-ar-15-handguard/>> (Year: 2018).\*

DPMS AR-15 Free Float Tube Handguard Vented Carbine, BuckeyeTactical.com, [online], [site visited Jul. 6, 2018]. <URL: <http://www.buckeyetactical.com/dpms-free-float-tube-handguard-ar-15-vented-carbine-aluminum-black.html>> (Year: 2018).\*

Ergonomic Modular Rail VO-E, ALGdefense.com, <https://algdefense.com/ergonomic-modular-rail-vO-e.html> (2017).

Ergonomic Modular Rail (EMR) V1 M-LOK, ALGdefense.com, <https://algdefense.com/ergonomic-modular-rail-v1-m-lok.html> (2017).

ALG Defense updated their cover photo, Facebook.com, ALG Defense, Feb. 14, 2017, <https://www.facebook.com/AlgDefense/>.

ALG Defense EMR VO-E, JerkingTheTrigger.com, by Malt on Nov. 21, 2016 in Guns, <http://jerkthetrigger.com/2016/11/21/alg-defense-emr-vO-e/>.

AR-15 Quad Rail Handguard—12 inch I Free Float I Black, MonstrumTactical.com, <https://monstrumtactical.com/products/ar-15-quad-rail-handguard-12-inch-free-float-black?variant=22019336259> (2017).

\* cited by examiner

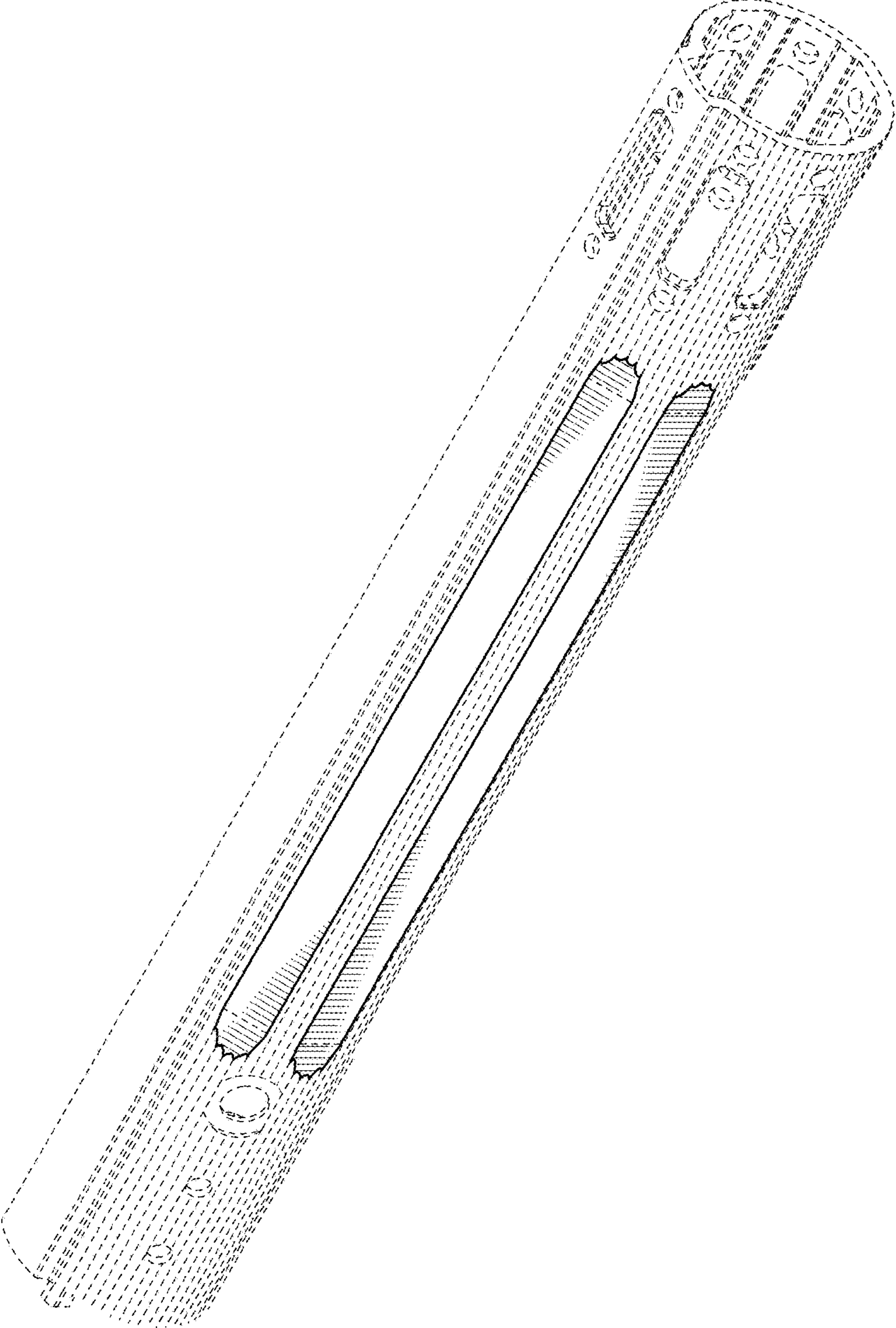


FIG. 1

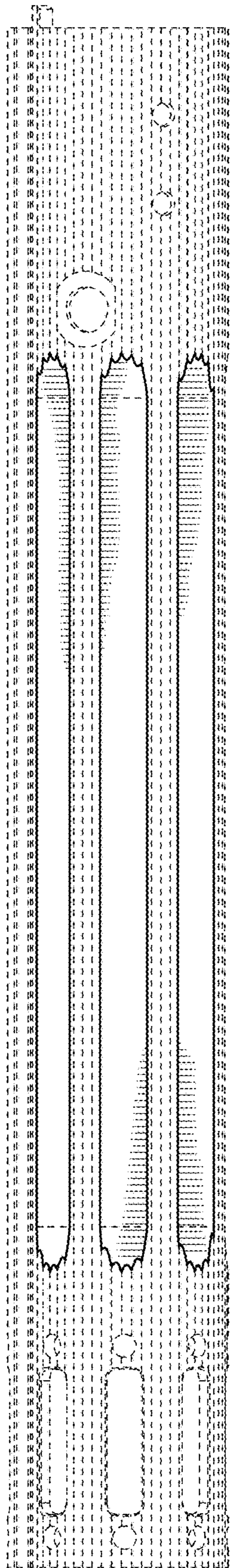


FIG. 2

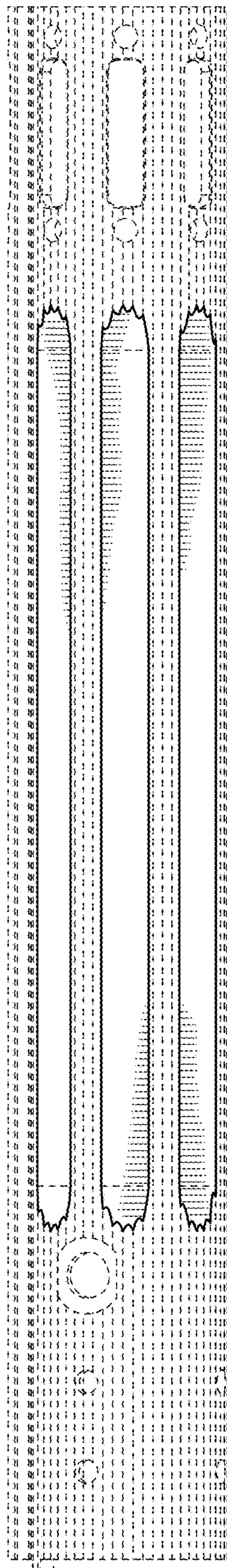


FIG. 3

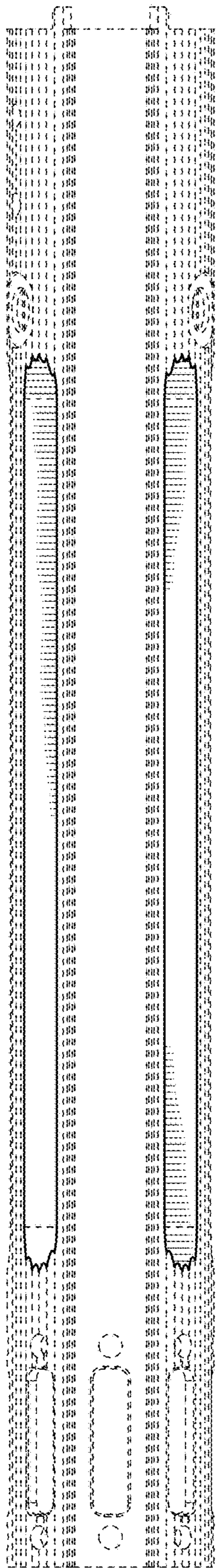


FIG. 4

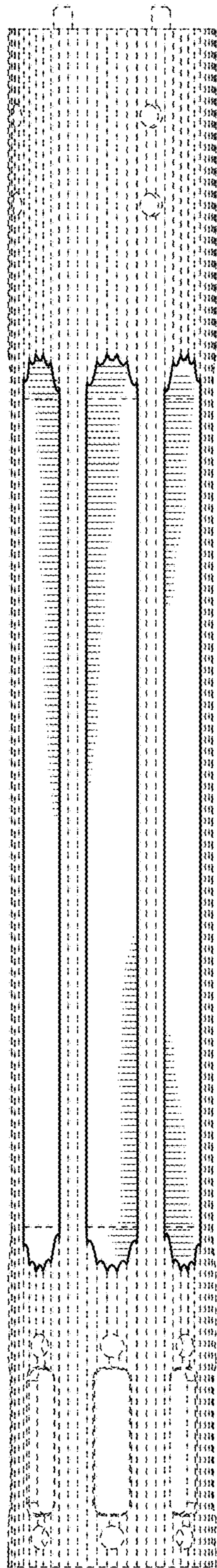


FIG. 5

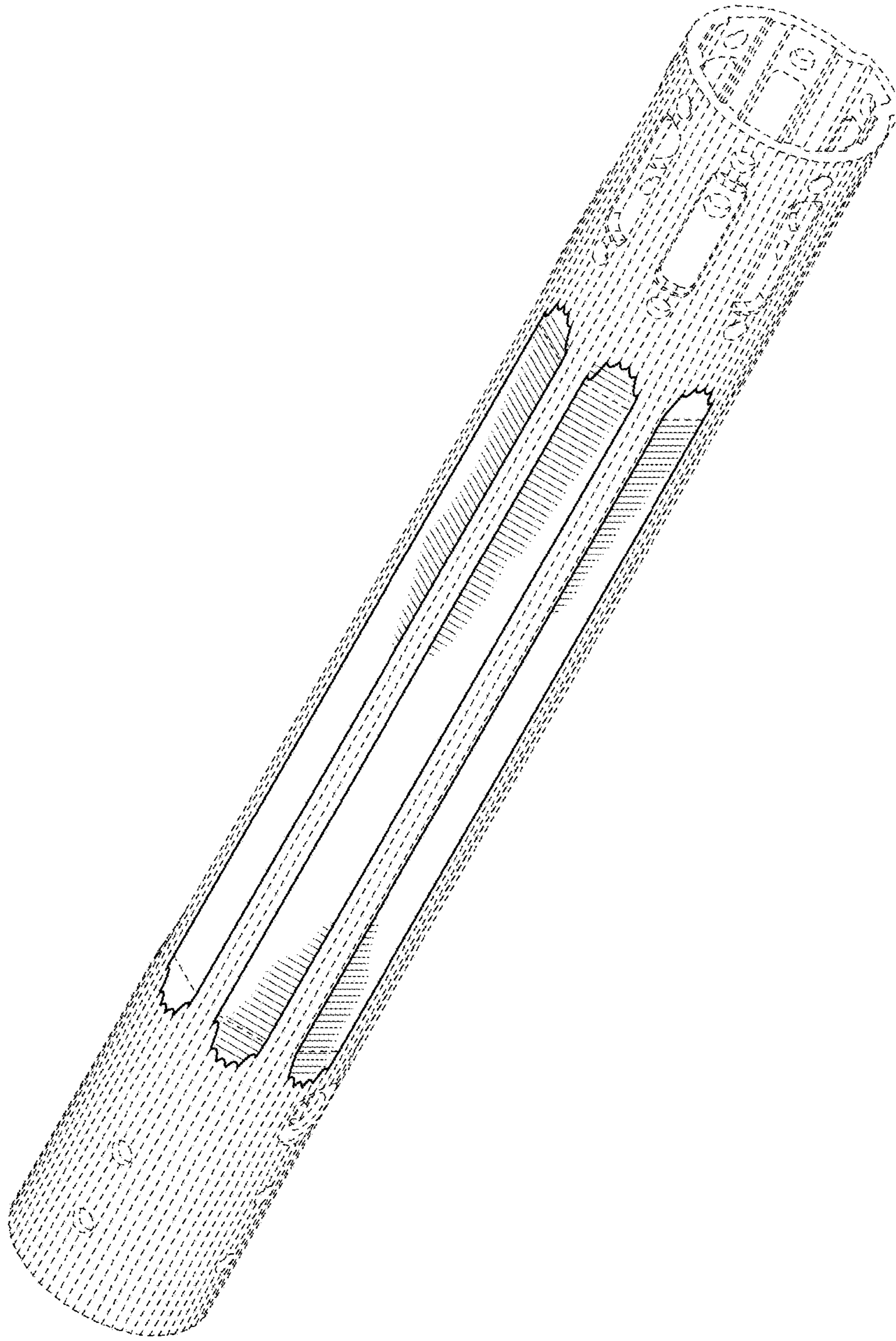


FIG. 6