



US00D831775S

(12) **United States Design Patent**  
**Hormann**

(10) **Patent No.:** **US D831,775 S**

(45) **Date of Patent:** **\*\* Oct. 23, 2018**

(54) **SHOTGUN MUZZLE BRAKE**

(71) Applicant: **Karl Hormann**, Mt. Vernon, NY (US)

(72) Inventor: **Karl Hormann**, Mt. Vernon, NY (US)

(\*\*) Term: **15 Years**

(21) Appl. No.: **29/594,491**

(22) Filed: **Feb. 18, 2017**

(51) **LOC (11) Cl.** ..... **22-01**

(52) **U.S. Cl.**  
USPC ..... **D22/108**

(58) **Field of Classification Search**  
USPC ..... D22/100, 101, 103, 104, 108-110;  
89/14.3, 14.05, 14.2, 14.4, 27.12; 42/79,  
42/97, 51, 66, 67, 70.01; 181/223;  
D21/572-575

CPC ..... F41A 21/325; F41A 21/28; F41A 21/32;  
F41A 21/34; F41A 21/36; F41A 21/41  
See application file for complete search history.

(56) **References Cited**

**U.S. PATENT DOCUMENTS**

D515,169 S *	2/2006	Bounds	.....	D22/108
7,032,339 B1 *	4/2006	Bounds	.....	F41A 21/36
				42/1.06
8,205,538 B2 *	6/2012	Dueck	.....	F41A 21/36
				89/14.3
D666,687 S *	9/2012	Nierenberg	.....	D22/108
8,333,139 B2 *	12/2012	Addis	.....	F41A 21/32
				42/75.02
8,424,440 B1 *	4/2013	Carson	.....	F41A 21/36
				89/14.3
D692,086 S *	10/2013	Nierenberg	.....	D22/108
D694,355 S *	11/2013	Hormann	.....	D22/108
8,578,832 B2 *	11/2013	Adolphsen	.....	F41A 21/02
				89/14.3
D711,491 S *	8/2014	Nierenberg	.....	D22/108
D716,408 S *	10/2014	Oglesby	.....	D22/108
D716,904 S *	11/2014	Oglesby	.....	D22/108

D729,894 S *	5/2015	DeLuca	.....	D22/108
D737,922 S *	9/2015	Pace	.....	D22/108
D746,937 S *	1/2016	Larson, Jr.	.....	D22/108
D747,429 S *	1/2016	Larson, Jr.	.....	D22/108
9,228,789 B1 *	1/2016	Oglesby	.....	F41A 21/36
D754,275 S *	4/2016	Geissele	.....	D22/108
9,310,152 B1 *	4/2016	Poling	.....	F41A 21/36
D759,188 S *	6/2016	Geissele	.....	D22/108
D763,395 S *	8/2016	Joplin	.....	D22/108
D765,209 S *	8/2016	Sui	.....	D22/108
D765,210 S *	8/2016	Sui	.....	D22/108

(Continued)

**OTHER PUBLICATIONS**

GK-02 Ilyin Muzzle Brake Vepr/Saiga, LegionUSA.com, [online], [site visited Jul. 3, 2018]. <URL: <https://www.legionusa.com/molot-gk02-ilyin-muzzle-brake-vepr-12-saiga-12.html>> (Year: 2018).\*

(Continued)

*Primary Examiner* — T Chase Nelson

*Assistant Examiner* — Jonathan J. Han

(74) *Attorney, Agent, or Firm* — Quickpatents, LLC;  
Kevin Prince

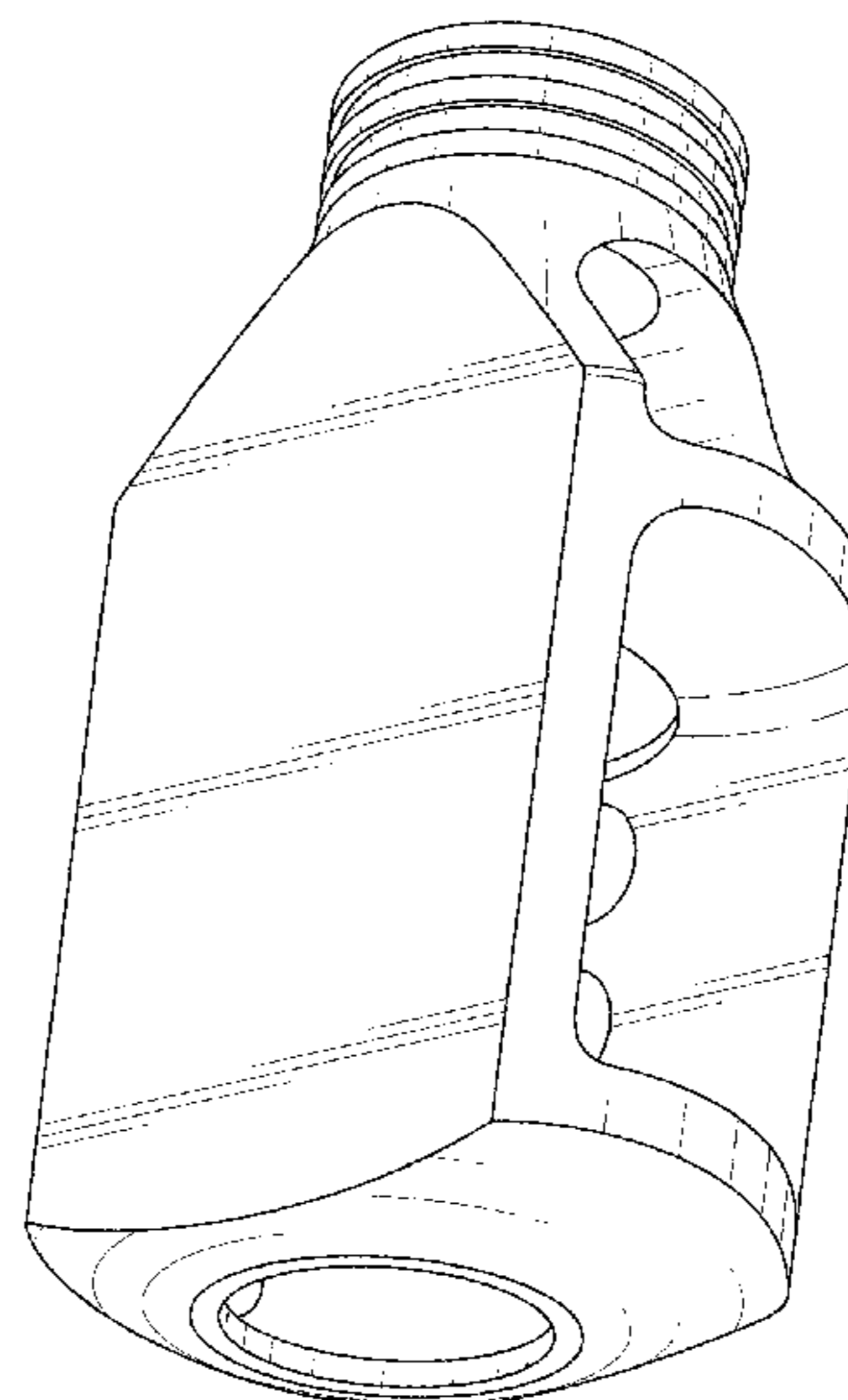
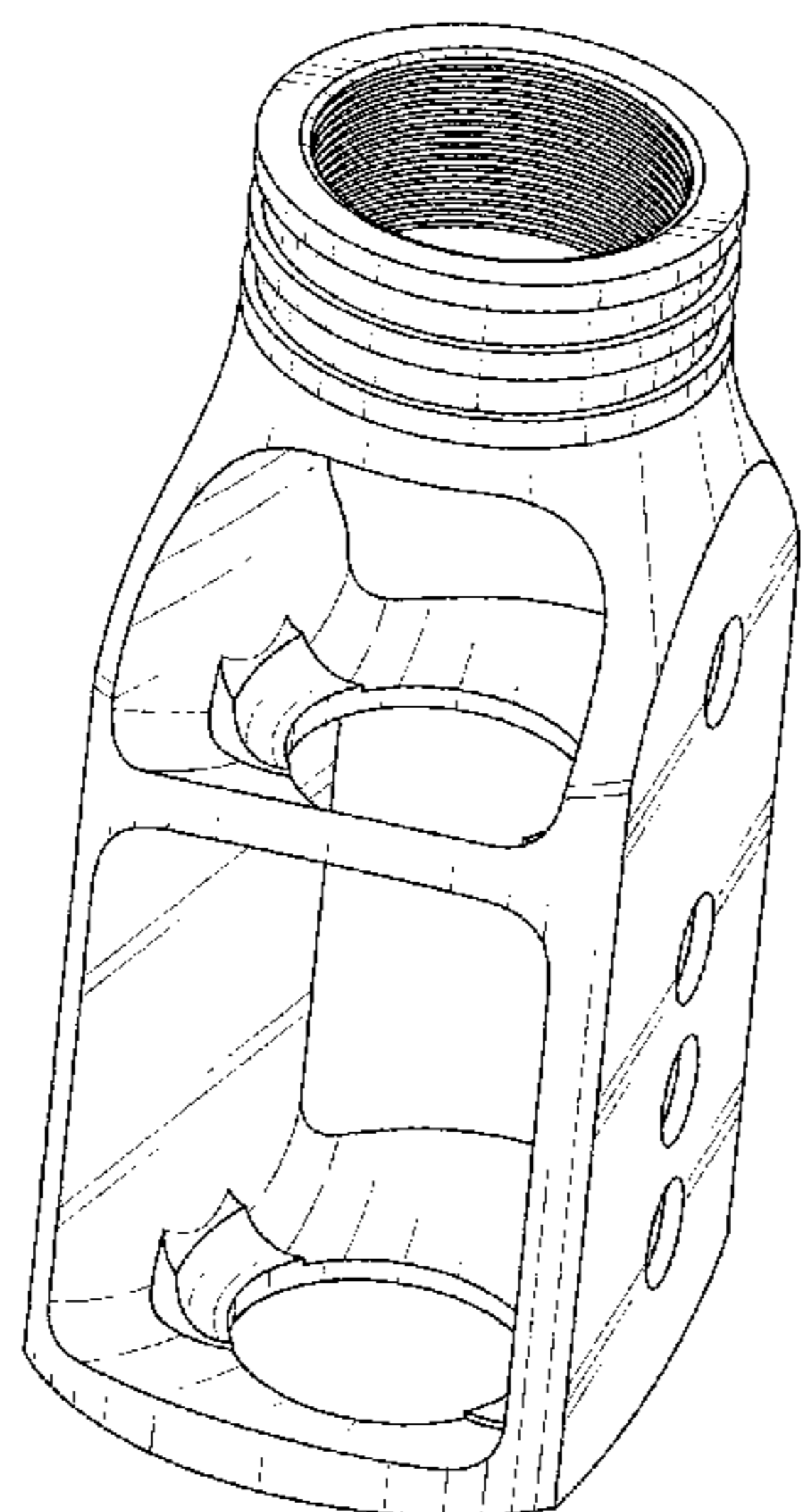
(57) **CLAIM**

I claim the ornamental design for a shotgun muzzle brake, as shown and described.

**DESCRIPTION**

FIG. 1 is a perspective view of a shotgun muzzle brake, showing my new design;  
FIG. 2 is a rear perspective view thereof;  
FIG. 3 is a front elevational view thereof;  
FIG. 4 is a rear elevational view thereof;  
FIG. 5 is a left-side elevational view thereof, the right-side elevational view being a mirror image thereof;  
FIG. 6 is a top plan view thereof; and,  
FIG. 7 is a bottom plan view thereof.

**1 Claim, 6 Drawing Sheets**



(56)

**References Cited**

U.S. PATENT DOCUMENTS

D767,074 S \* 9/2016 Sui ..... D22/108  
D779,019 S \* 2/2017 Arnedo Vera ..... D22/108  
D787,622 S \* 5/2017 Geissele ..... B25B 13/48  
D22/108  
2010/0269387 A1\* 10/2010 Drajan ..... F41A 21/36  
42/1.06  
2011/0174141 A1\* 7/2011 Adolphsen ..... F41A 21/02  
89/14.3

OTHER PUBLICATIONS

Clamp on Shotgun Brake by Witt Machine, laWaterfowlers.com, WittMachine, Oct. 28, 2014, 02:54 PM, [online], [site visited Jul. 3, 2018]. <URL: <https://www.iawaterfowlers.com/50707/clamp-shotgun-brake-witt-machine>> (Year: 2014).\*

Thread on & Clamp on DEFCON 1 Muzzle Brake for Shotguns, GrizzlyGunWorks.com, [online], [site visited Jul. 3, 2018]. <URL: <http://www.grizzlygunworks.com/d1-shotgun-muzzle-brake.html>> (Year: 2018).\*

Fortis Manufacturing Red Nitride Muzzle Brake | 556, CobraTac.com, [online], [site visited Jul. 3, 2018]. <URL: <https://www.cobratac.com/products/rrfortf>> (Year: 2018).\*

Field Sport M1 Garand Tanker Style Competition Muzzle Brake, DbFieldSport.com, [online], [site visited Jul. 3, 2018]. <URL: <https://www.dbfieldsport.com/product/field-sport-m1-garand-tanker-style-competition-muzzle-brake/>> (Year: 2018).\*

\* cited by examiner

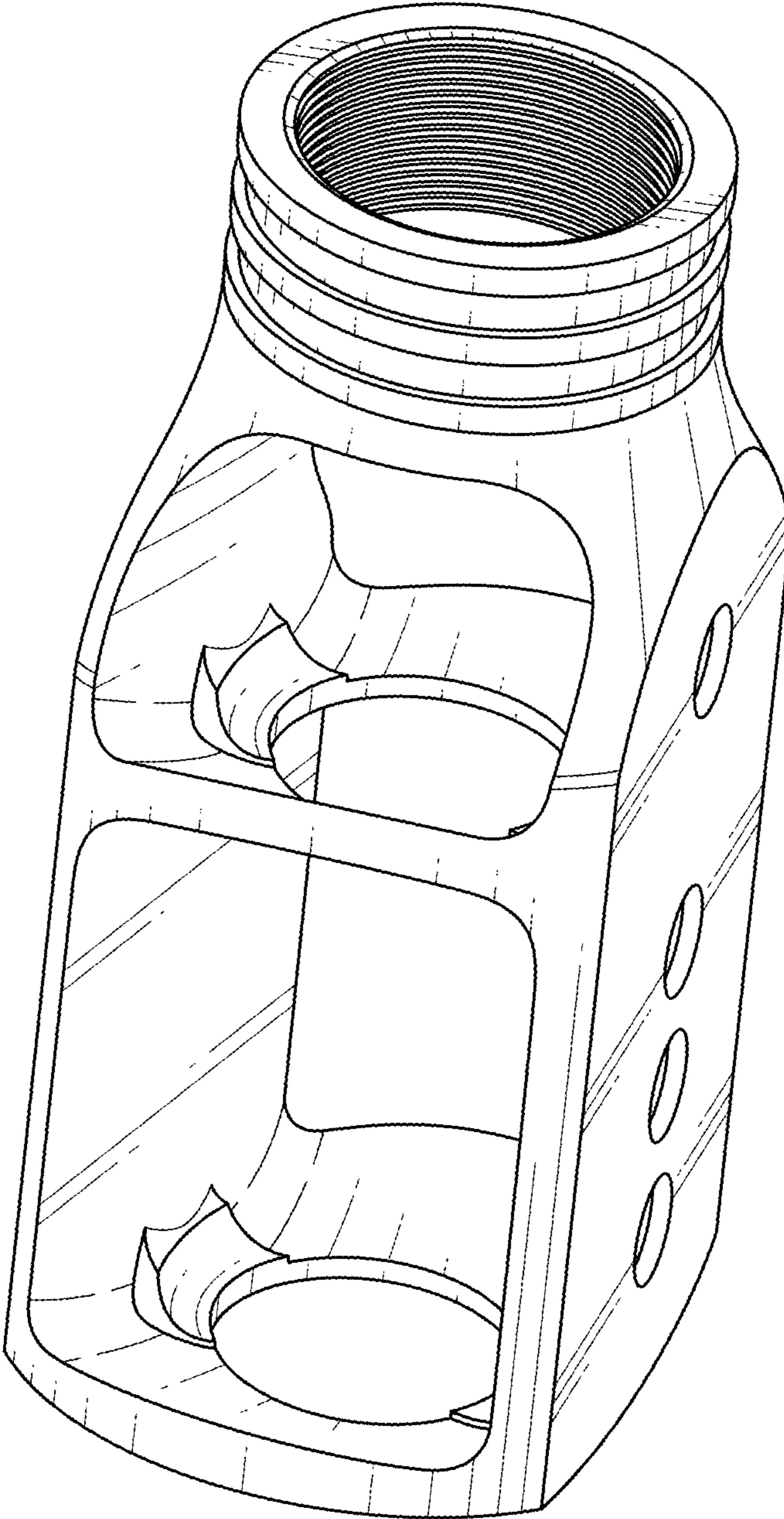


FIG. 1

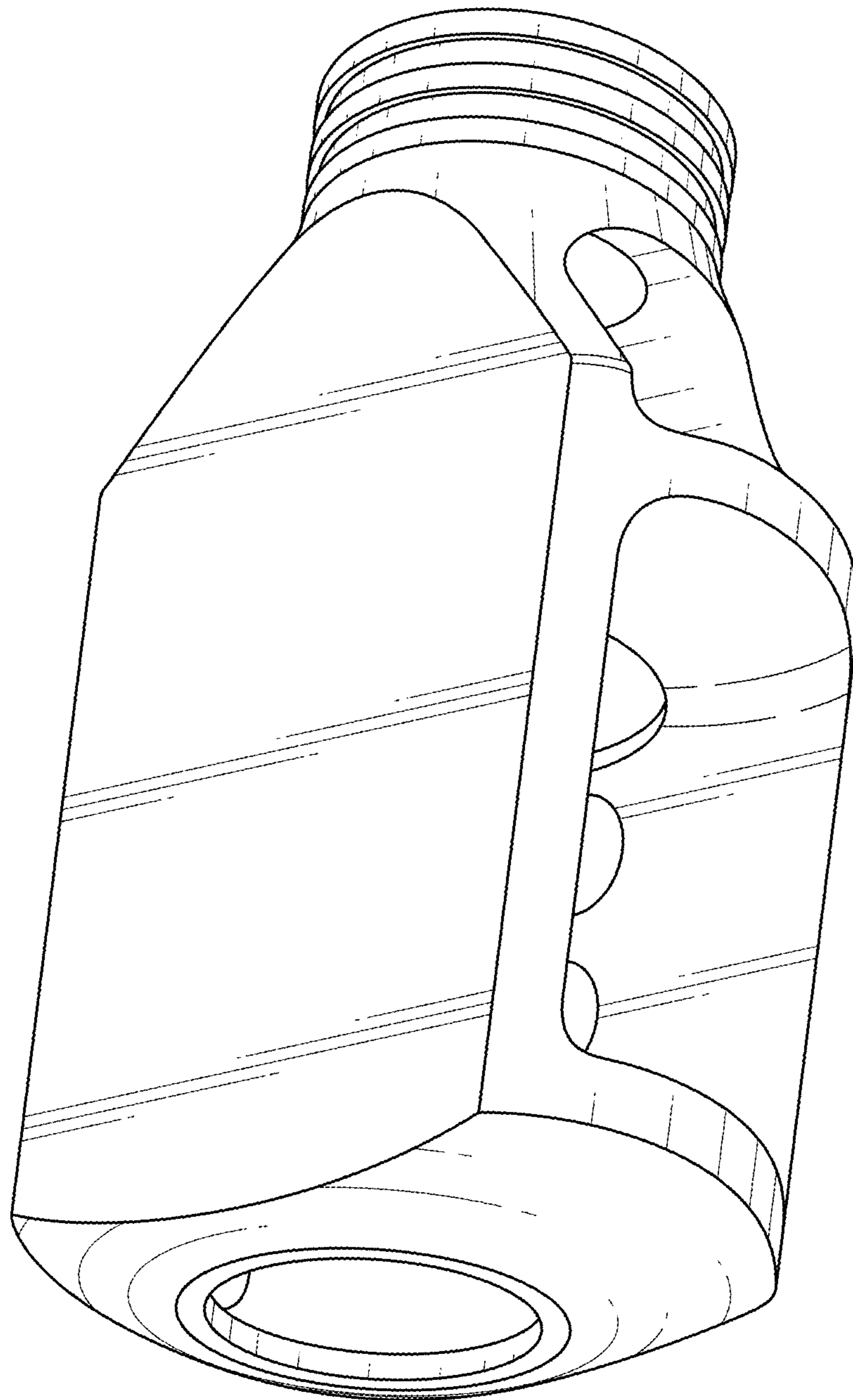


FIG. 2

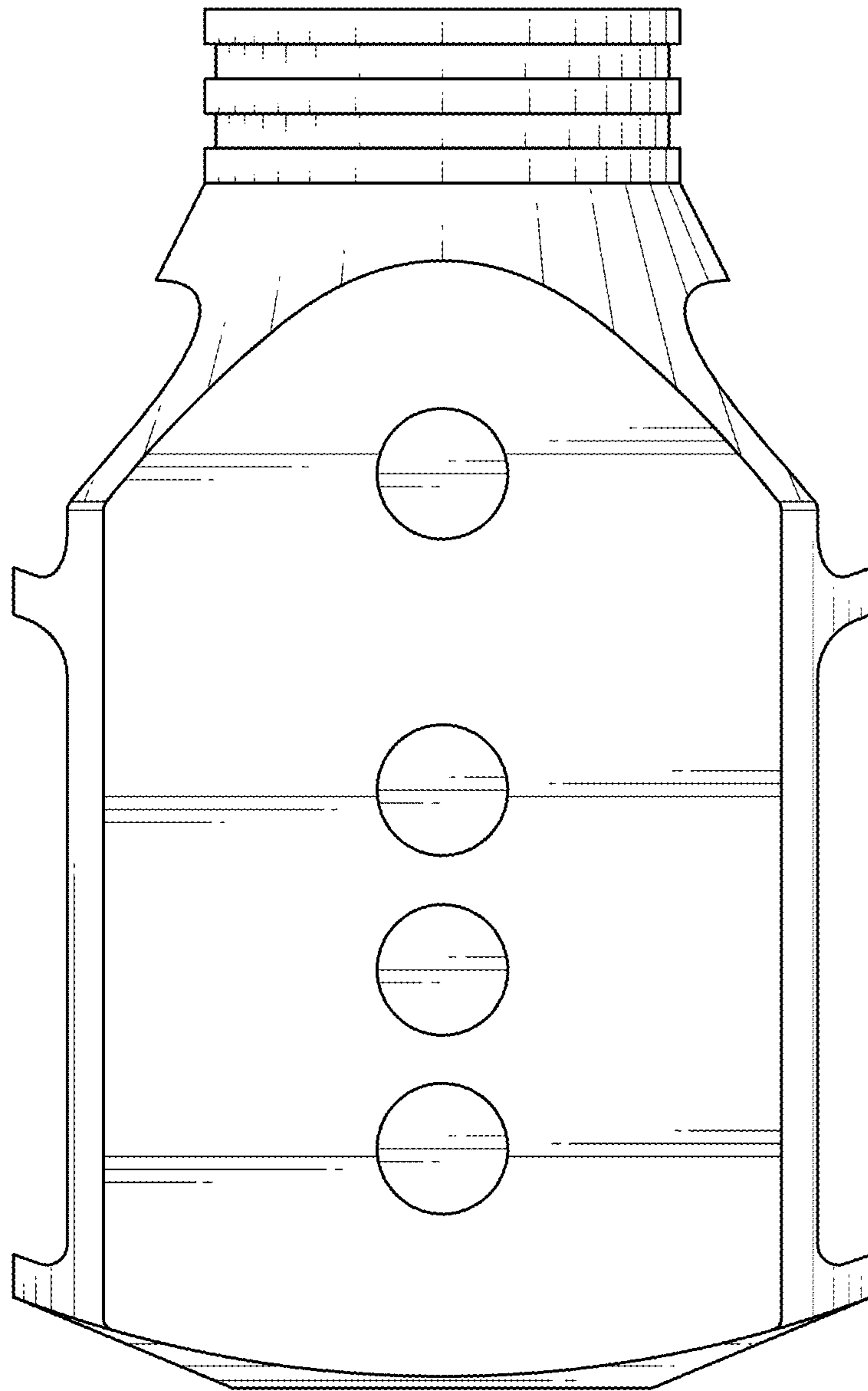


FIG. 3

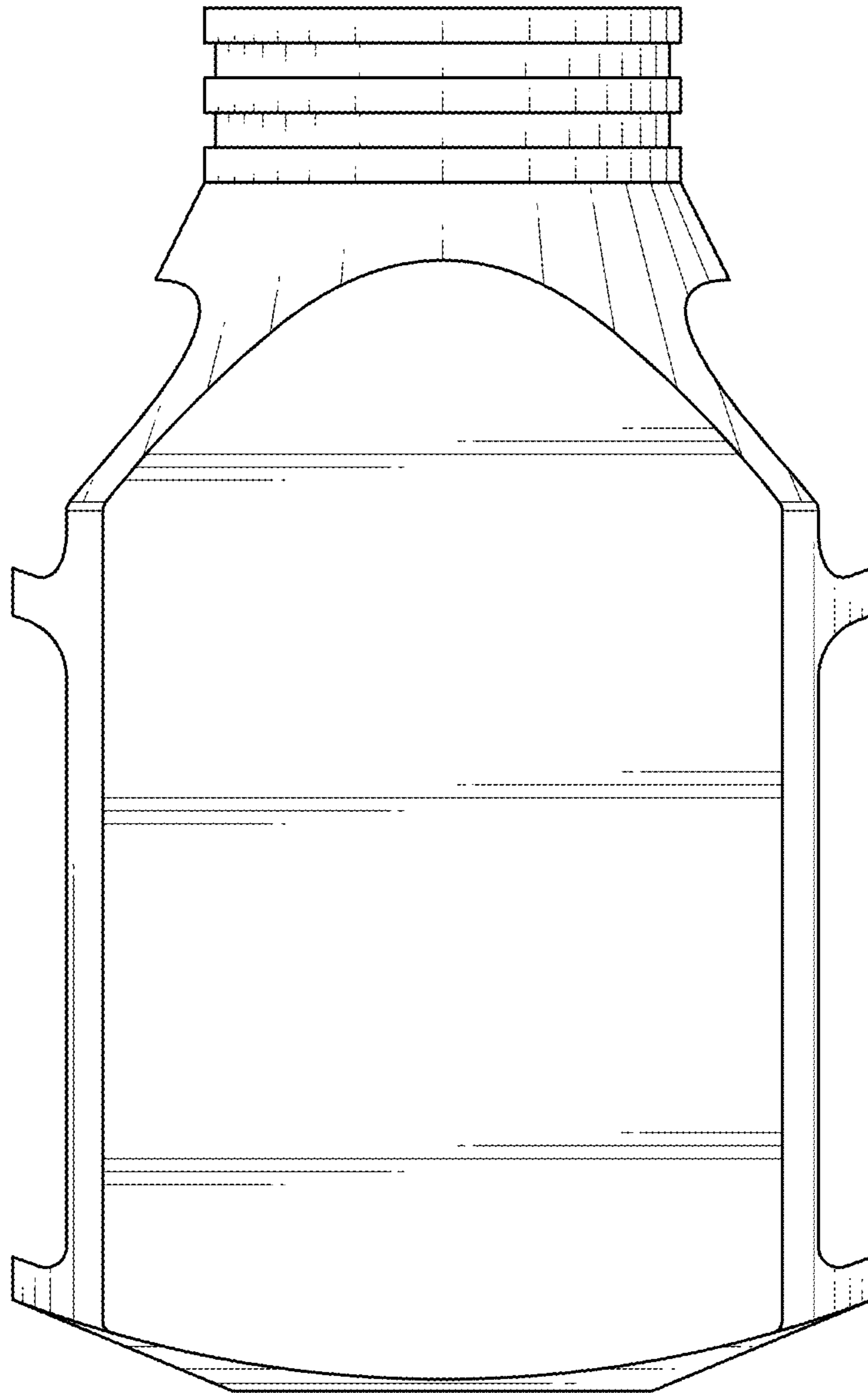


FIG. 4

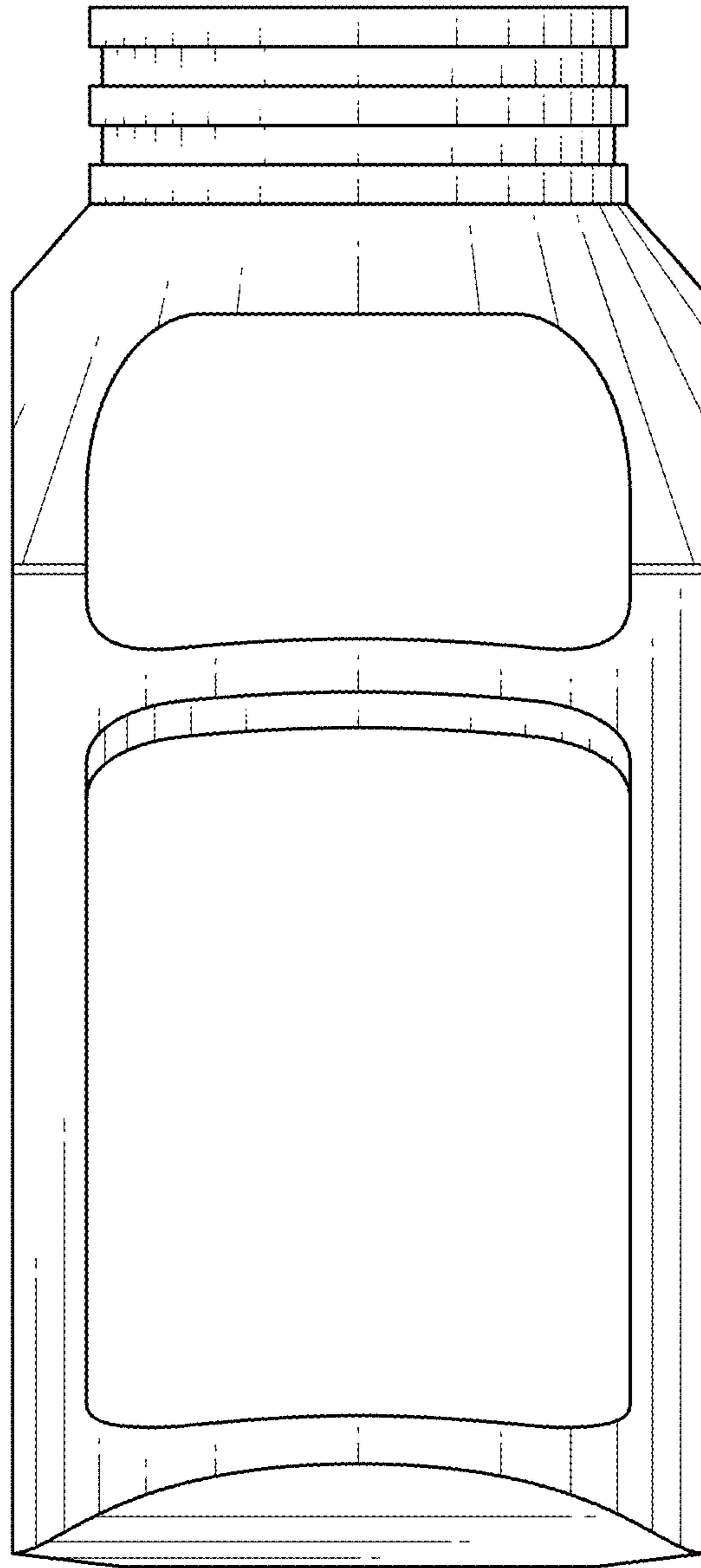


FIG. 5

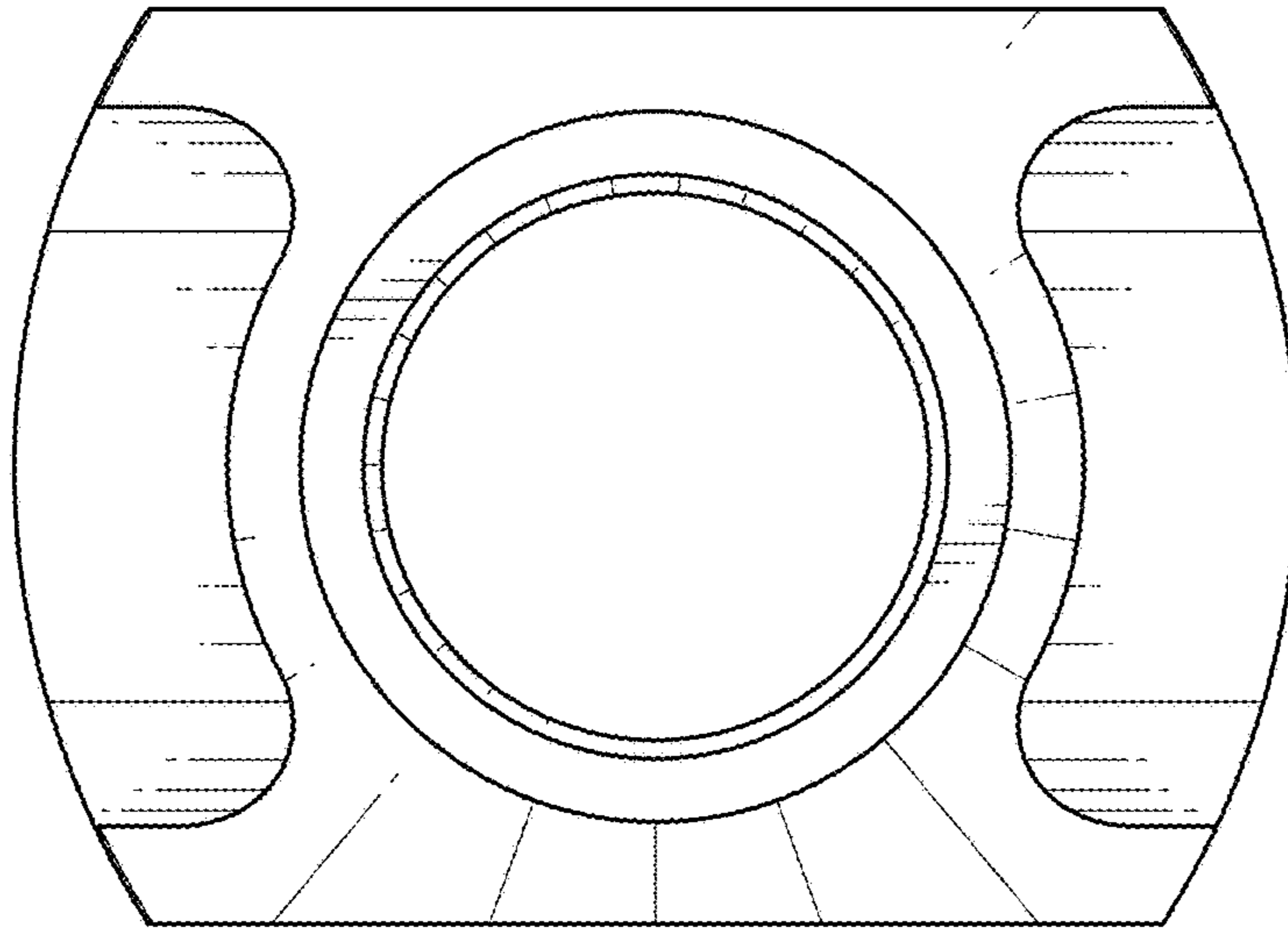


FIG. 6

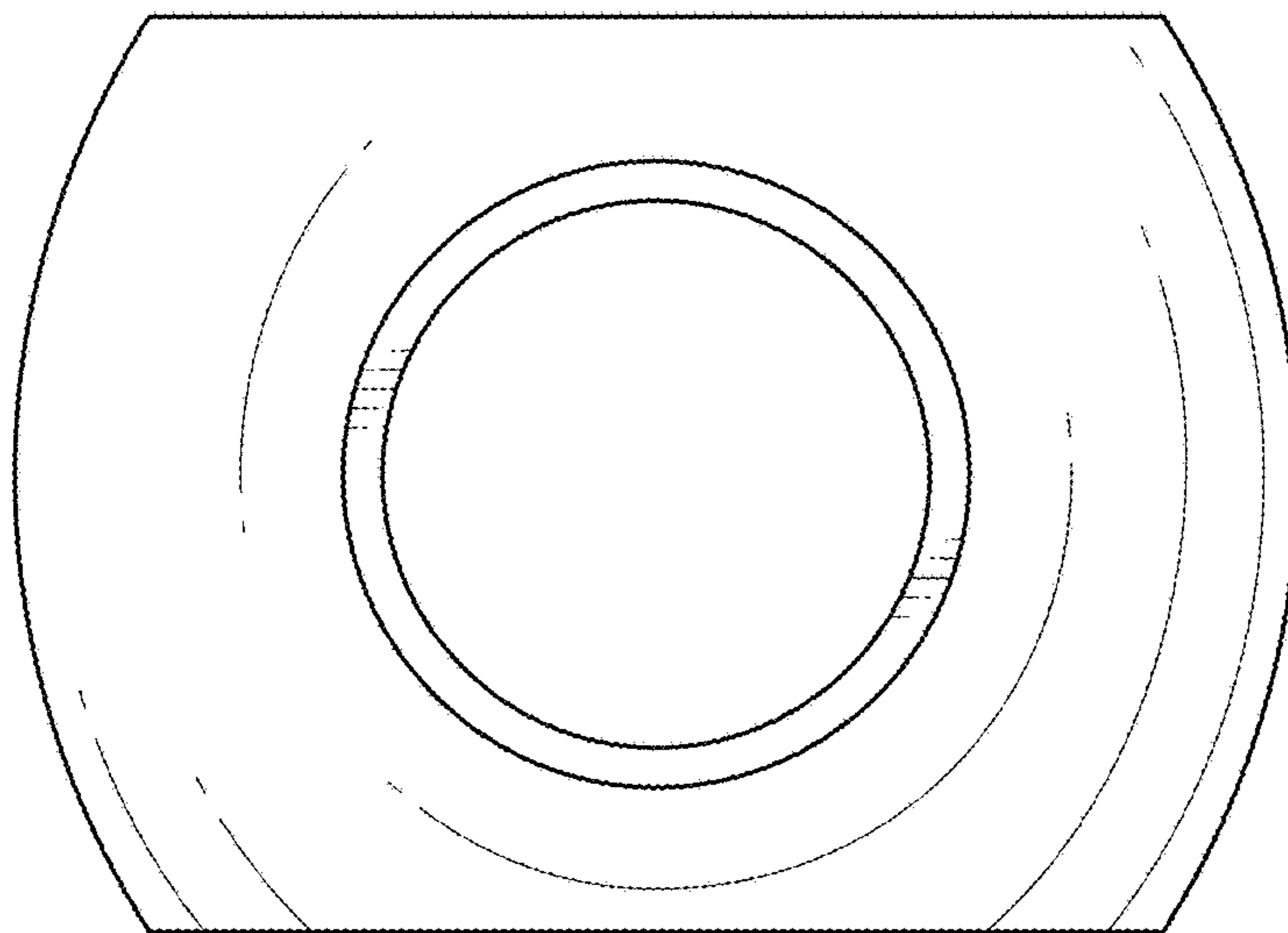


FIG. 7