



US00D831774S

(12) **United States Design Patent**
Hawkins et al.

(10) **Patent No.:** **US D831,774 S**
(45) **Date of Patent:** **** Oct. 23, 2018**

- (54) **ATTACHMENT FOR A FIREARM**
- (71) Applicant: **Robert Craig Hawkins**, Taumarunui (NZ)
- (72) Inventors: **Robert Craig Hawkins**, Taumarunui (NZ); **Gregory Morgan**, Wanganui (NZ)
- (73) Assignee: **Robert Craig Hawkins**, Taumarunui (NZ)
- (**) Term: **15 Years**
- (21) Appl. No.: **29/581,626**
- (22) Filed: **Oct. 20, 2016**

Related U.S. Application Data

- (62) Division of application No. 29/510,475, filed on Nov. 28, 2014, now Pat. No. Des. 787,002.

Foreign Application Priority Data

- May 27, 2014 (NZ) 418855
- (51) **LOC (11) Cl.** **22-01**
- (52) **U.S. Cl.**
USPC **D22/108**
- (58) **Field of Classification Search**
USPC D22/108
CPC F41C 23/10; F41C 23/14; F41C 23/16; F41C 23/18
See application file for complete search history.

References Cited

U.S. PATENT DOCUMENTS

- D644,707 S * 9/2011 Faifer D22/108
- D660,934 S * 5/2012 Faifer D22/108
- D726,278 S * 4/2015 Ding D22/108

(Continued)

Primary Examiner — Michael A. Pratt
(74) *Attorney, Agent, or Firm* — Pilloff & Passino LLP; Martin J. Cosenza

(57) **CLAIM**

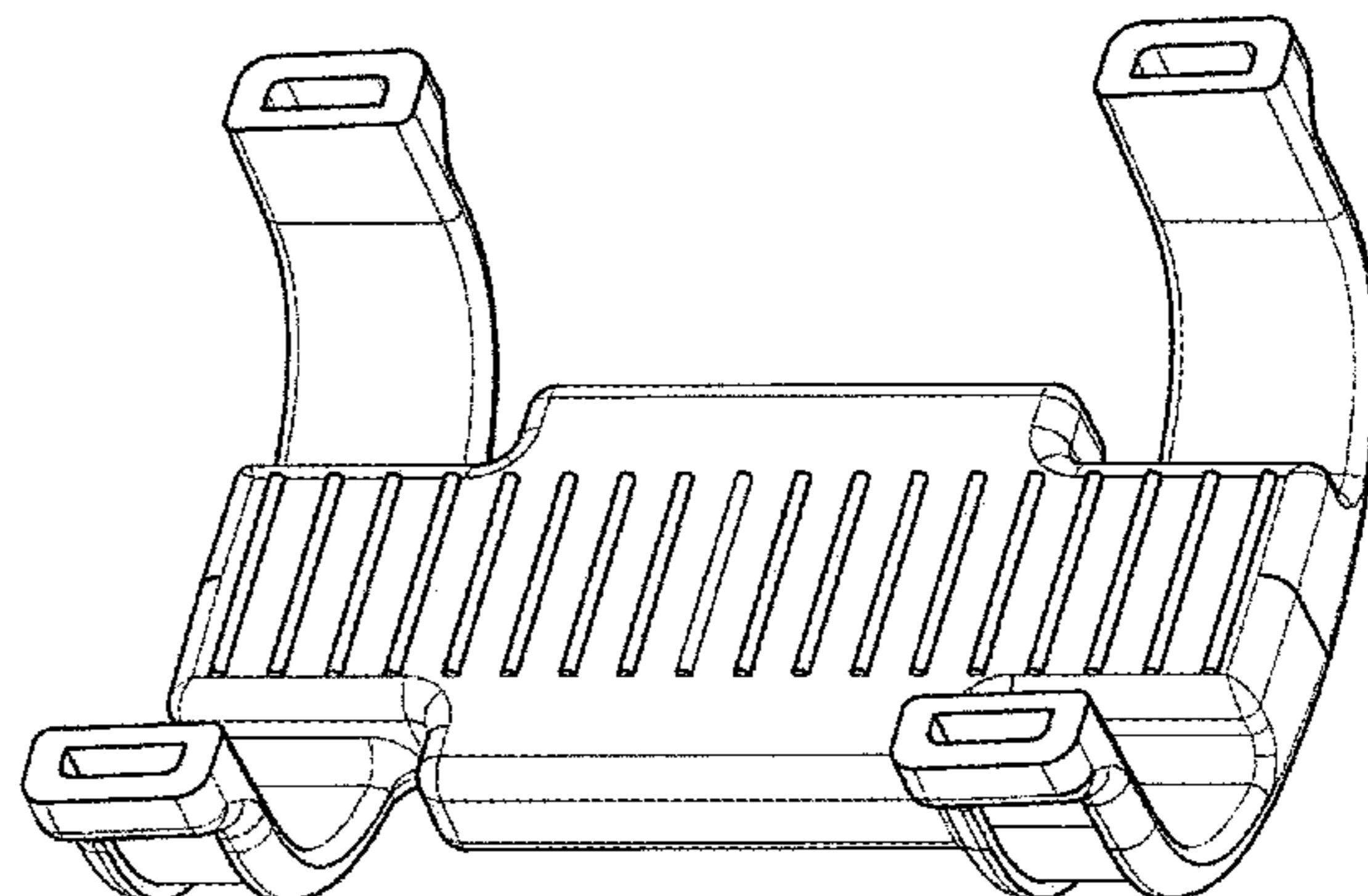
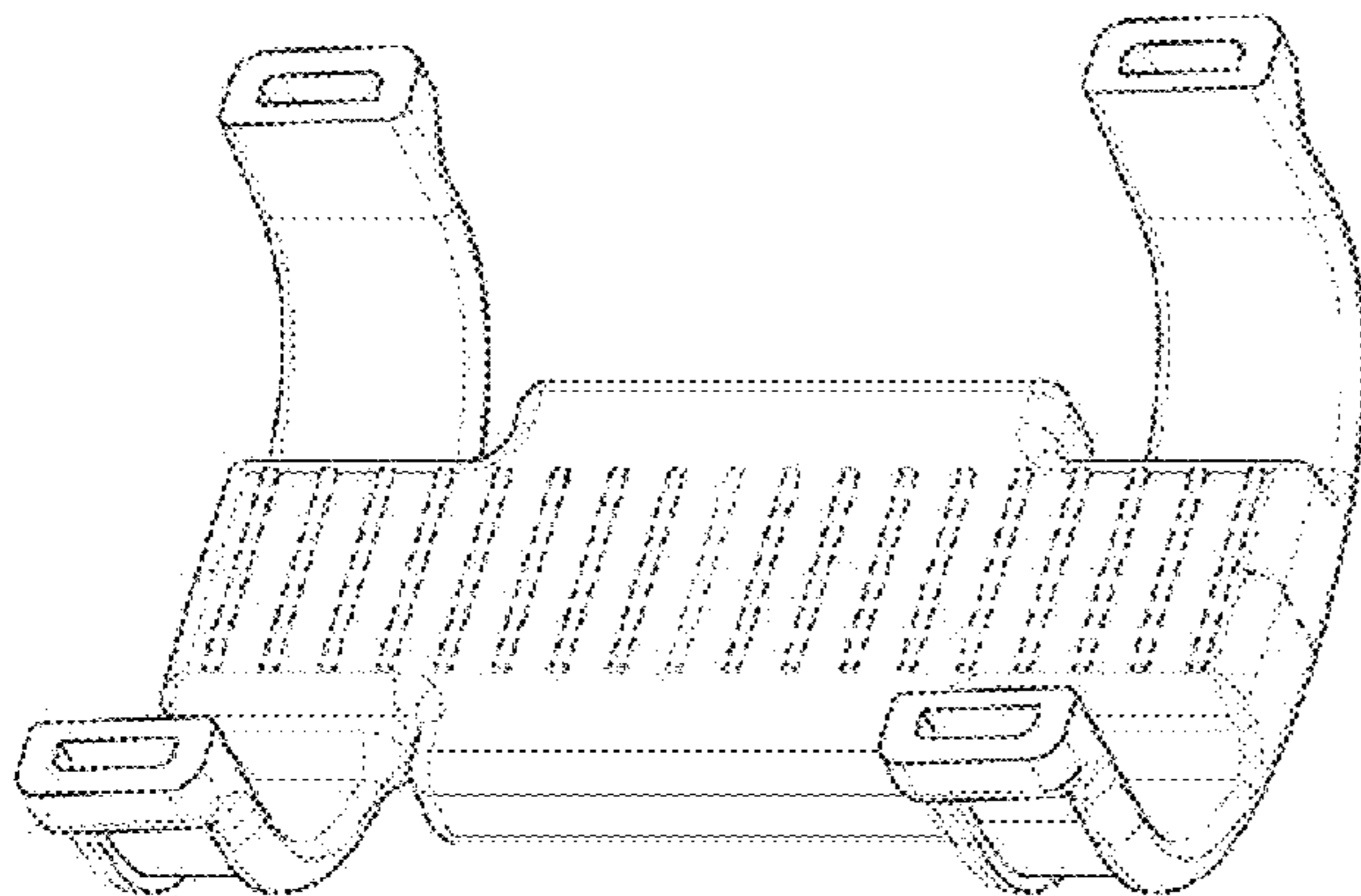
The ornamental design for an attachment for a firearm, as shown and described.

DESCRIPTION

FIG. 1 is a Front view of the attachment for a firearm in accordance with an embodiment of the design;
 FIG. 2 is a Front Perspective view of the attachment for a firearm in accordance with an embodiment of the design;
 FIG. 3 is a Top view of the attachment for a firearm in accordance with an embodiment of the design;
 FIG. 4 is a Bottom view of the attachment for a firearm in accordance with an embodiment of the design;
 FIG. 5 is a Left Side view of the attachment for a firearm in accordance with an embodiment of the design;
 FIG. 6 is a Back view of the attachment for a firearm in accordance with an embodiment of the design;
 FIG. 7 is a Right Side view of the attachment for a firearm in accordance with an embodiment of the design;
 FIG. 8 is a Front view of the attachment for a firearm in accordance with an embodiment of the design;
 FIG. 9 is a Front Perspective view of the attachment for a firearm in accordance with an embodiment of the design;
 FIG. 10 is a Top view of the attachment for a firearm in accordance with an embodiment of the design;
 FIG. 11 is a Bottom view of the attachment for a firearm in accordance with an embodiment of the design;
 FIG. 12 is a left side view of the attachment for a firearm in accordance with an embodiment of the design;
 FIG. 13 is a Back view of the attachment for a firearm in accordance with an embodiment of the design; and,
 FIG. 14 is a right side view of the attachment for a firearm in accordance with an embodiment of the design.

The features in dashed lines correspond to environment and do not form part of the claimed design.

1 Claim, 14 Drawing Sheets



(56)

References Cited

U.S. PATENT DOCUMENTS

D727,455 S * 4/2015 Ding F16M 11/00
D22/108
D749,186 S * 2/2016 Cheng D22/108
2007/0271832 A1* 11/2007 Griffin F41C 23/16
42/72
2008/0052979 A1* 3/2008 Lee F41A 23/04
42/94
2009/0038199 A1* 2/2009 Oz F41A 23/10
42/94
2009/0193702 A1* 8/2009 Lin F41C 23/16
42/72
2010/0084524 A1* 4/2010 Faifer F16M 11/041
248/170
2015/0300775 A1* 10/2015 Combs F41C 23/16
42/72

* cited by examiner

FIG. 1

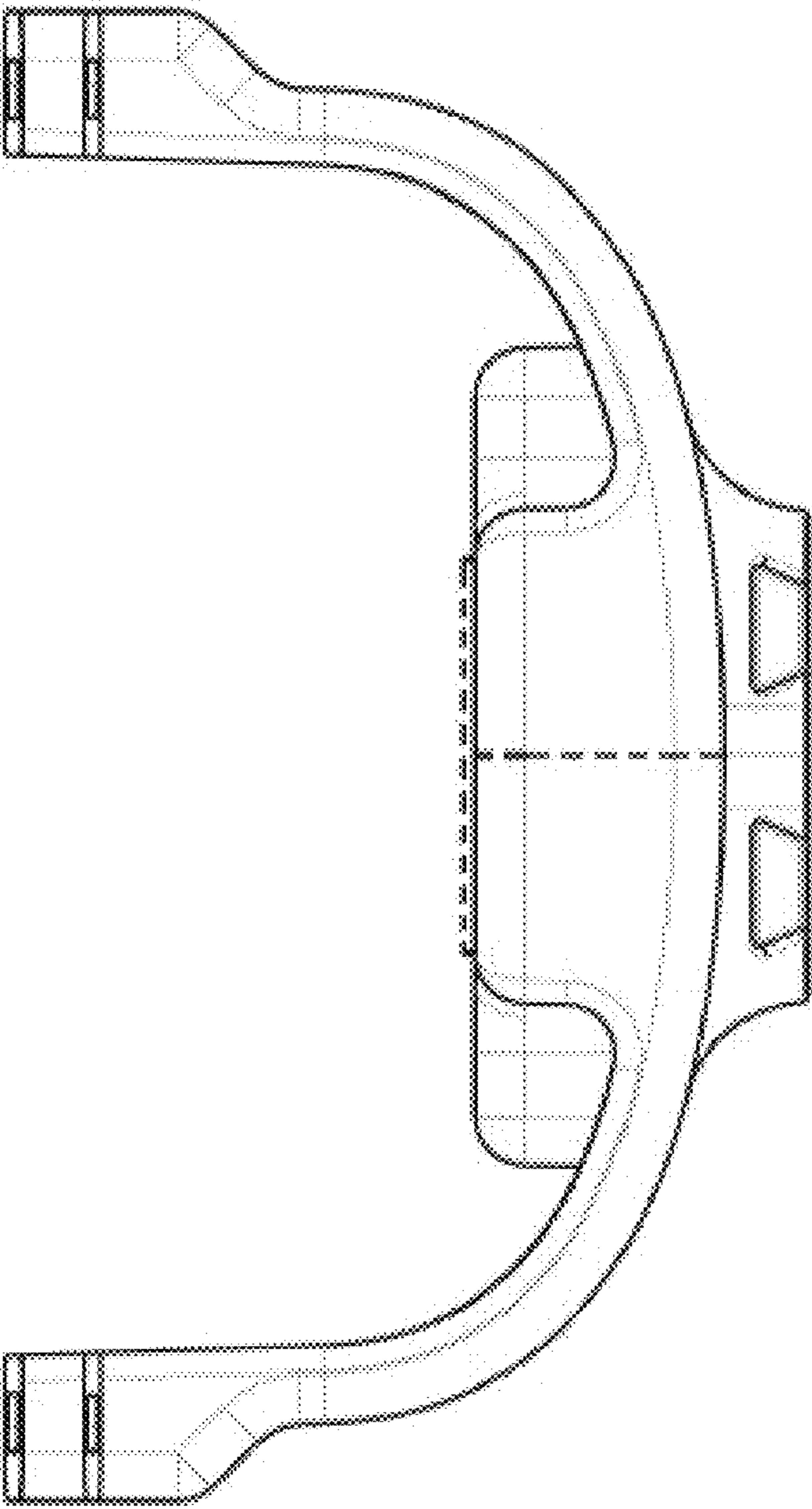


FIG. 2

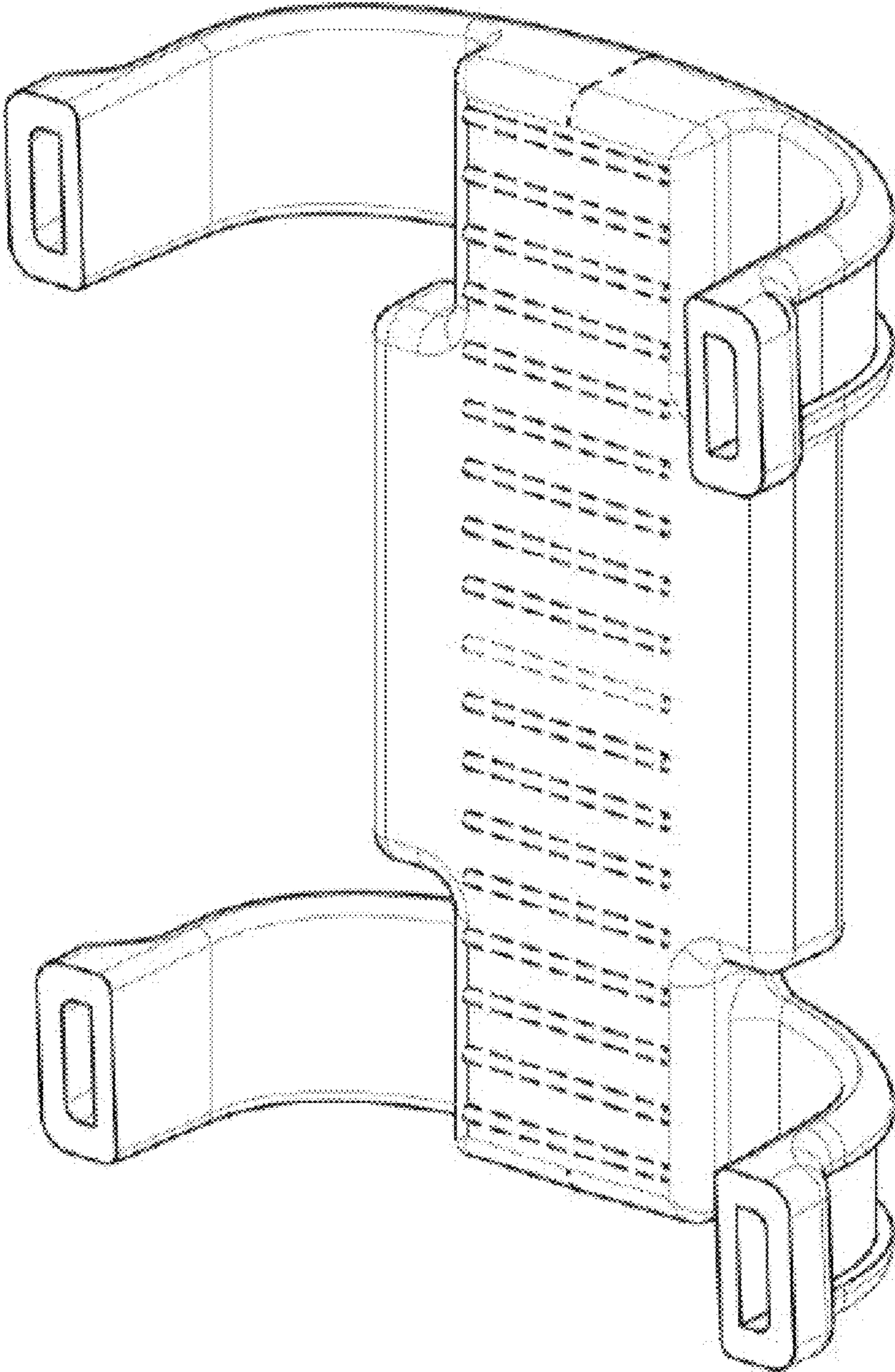


FIG. 3

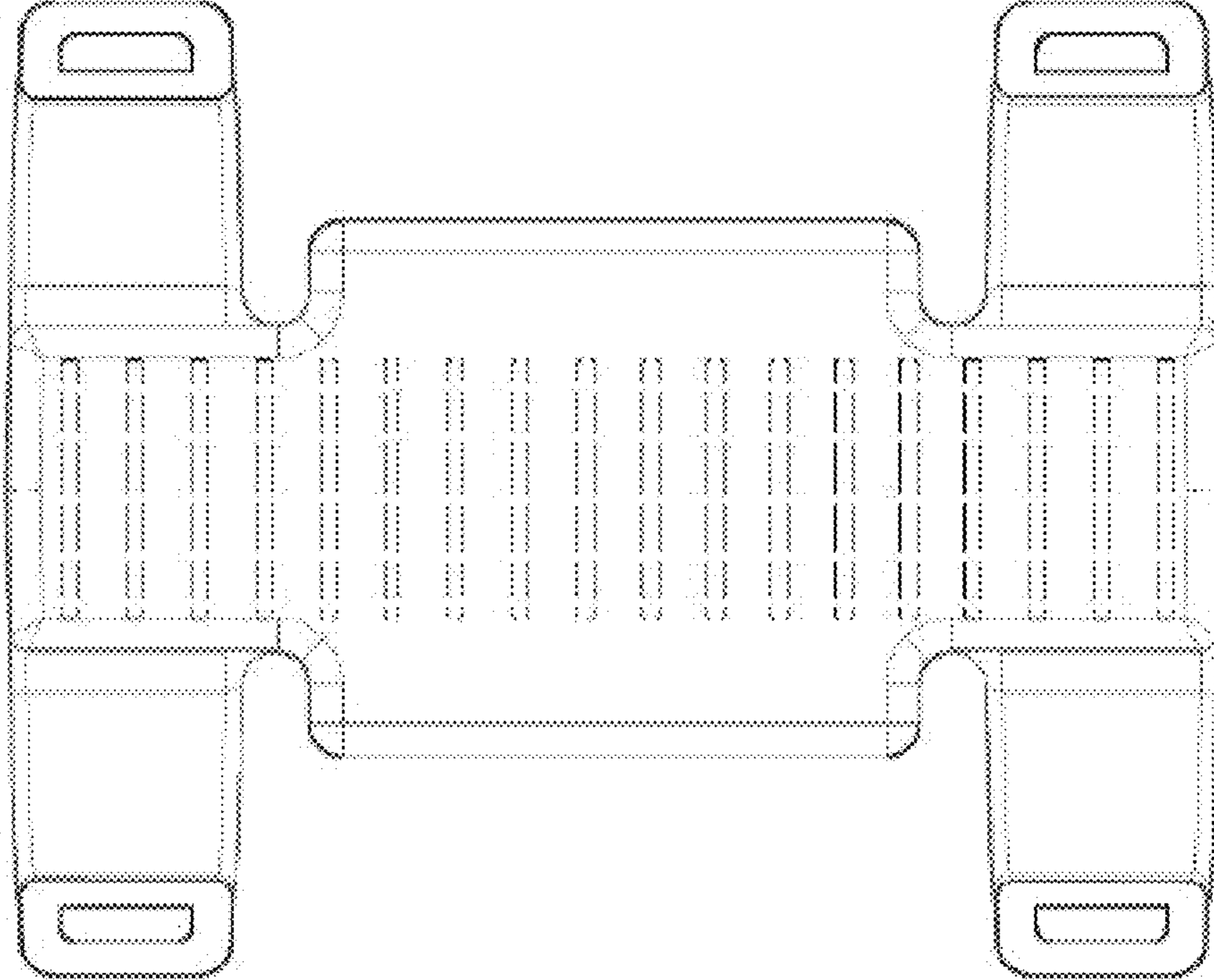


FIG. 4

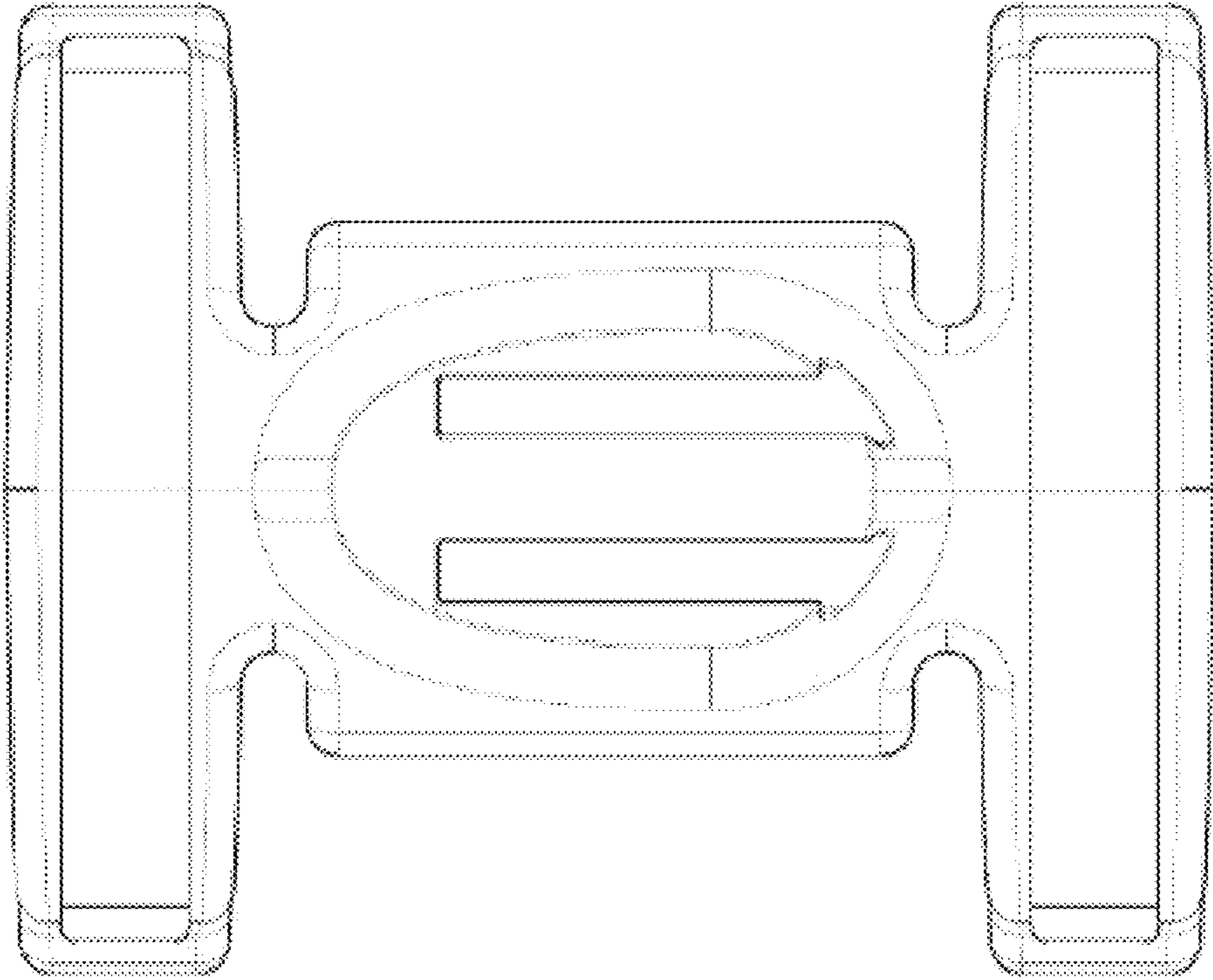


FIG. 5

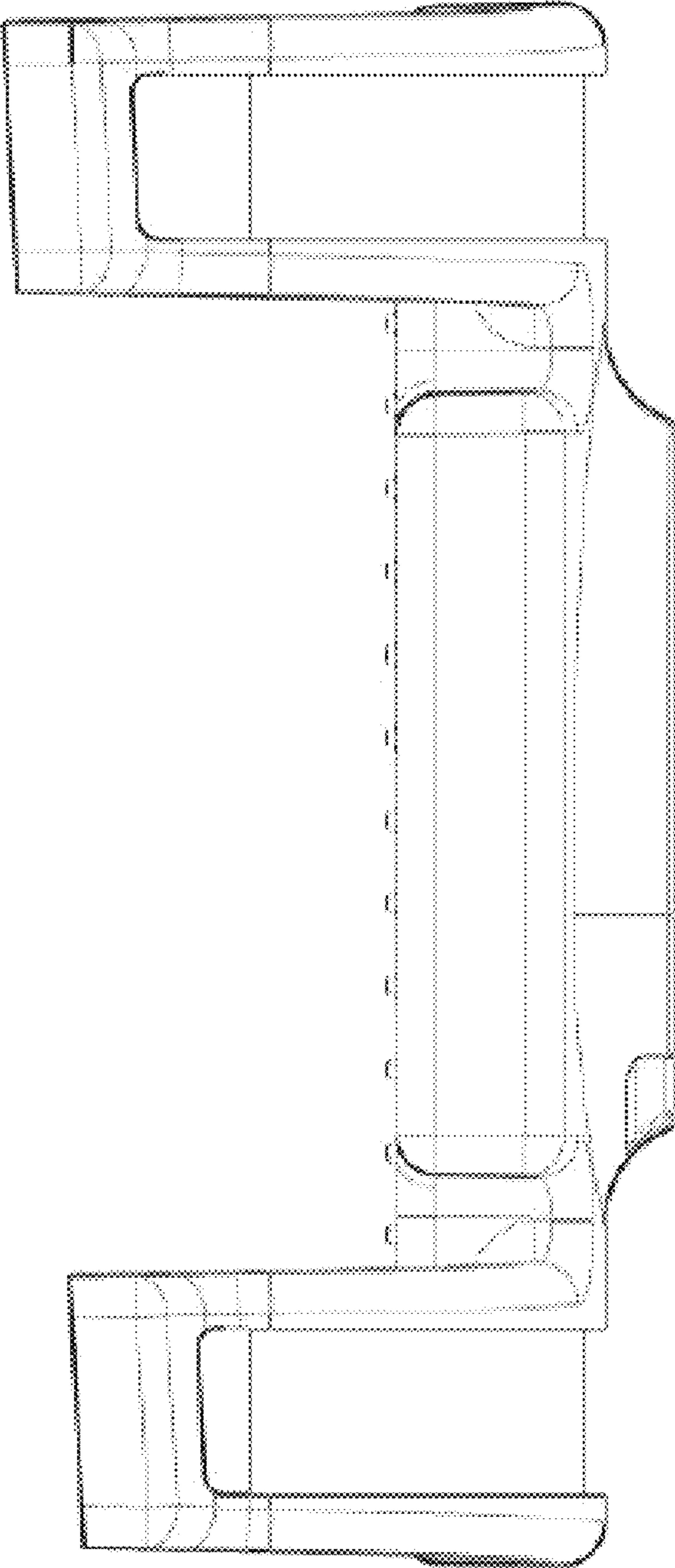


FIG. 6

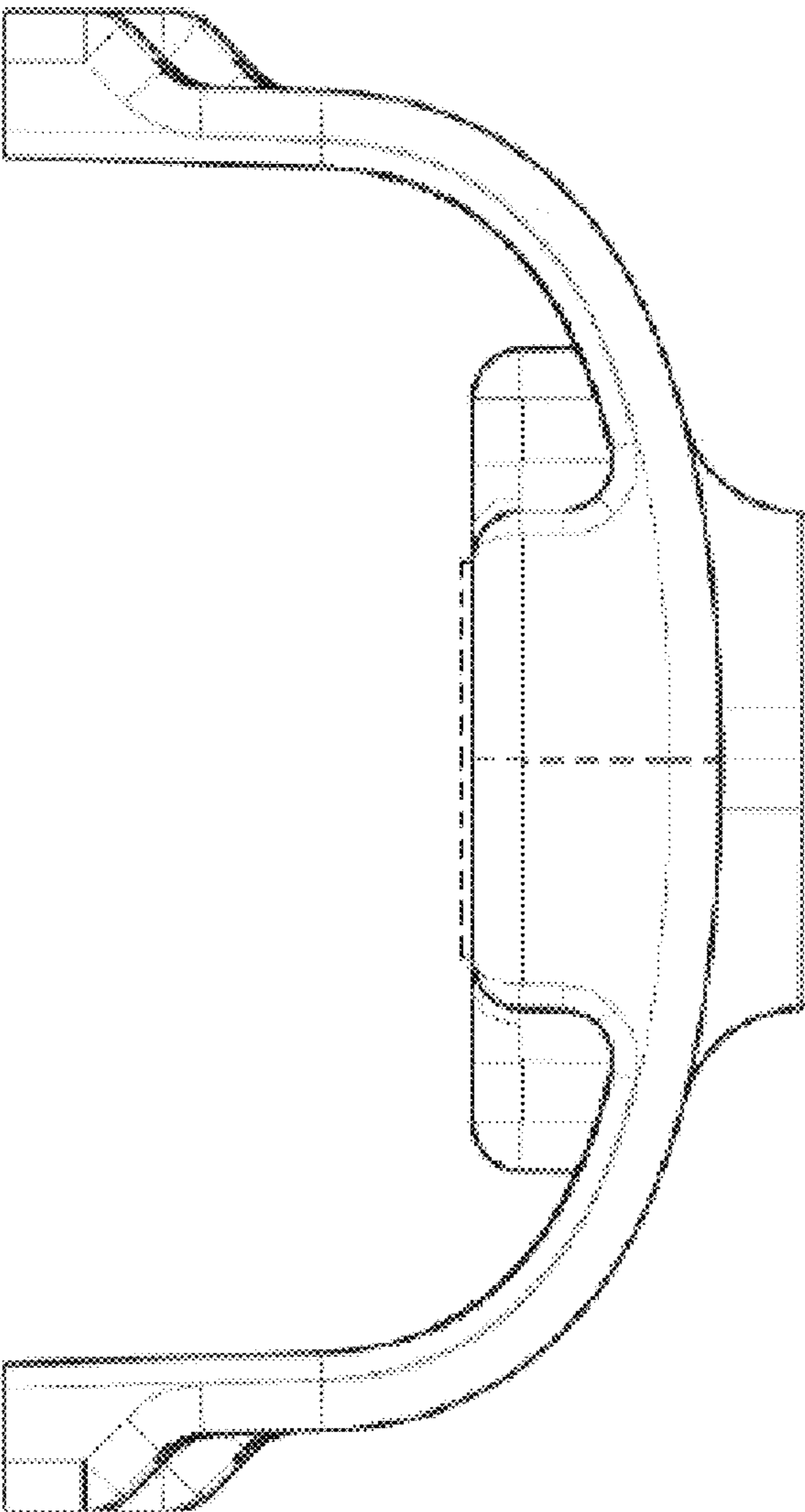


FIG. 7

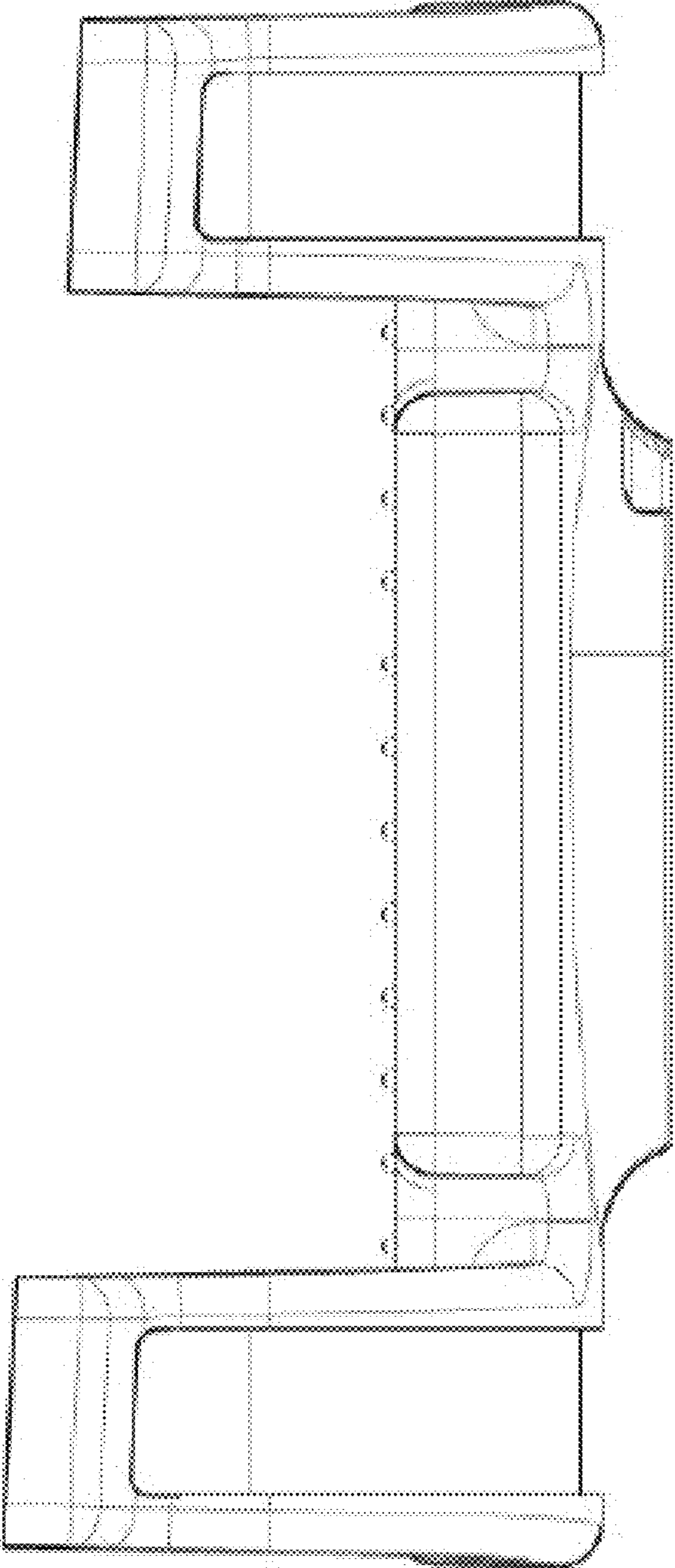
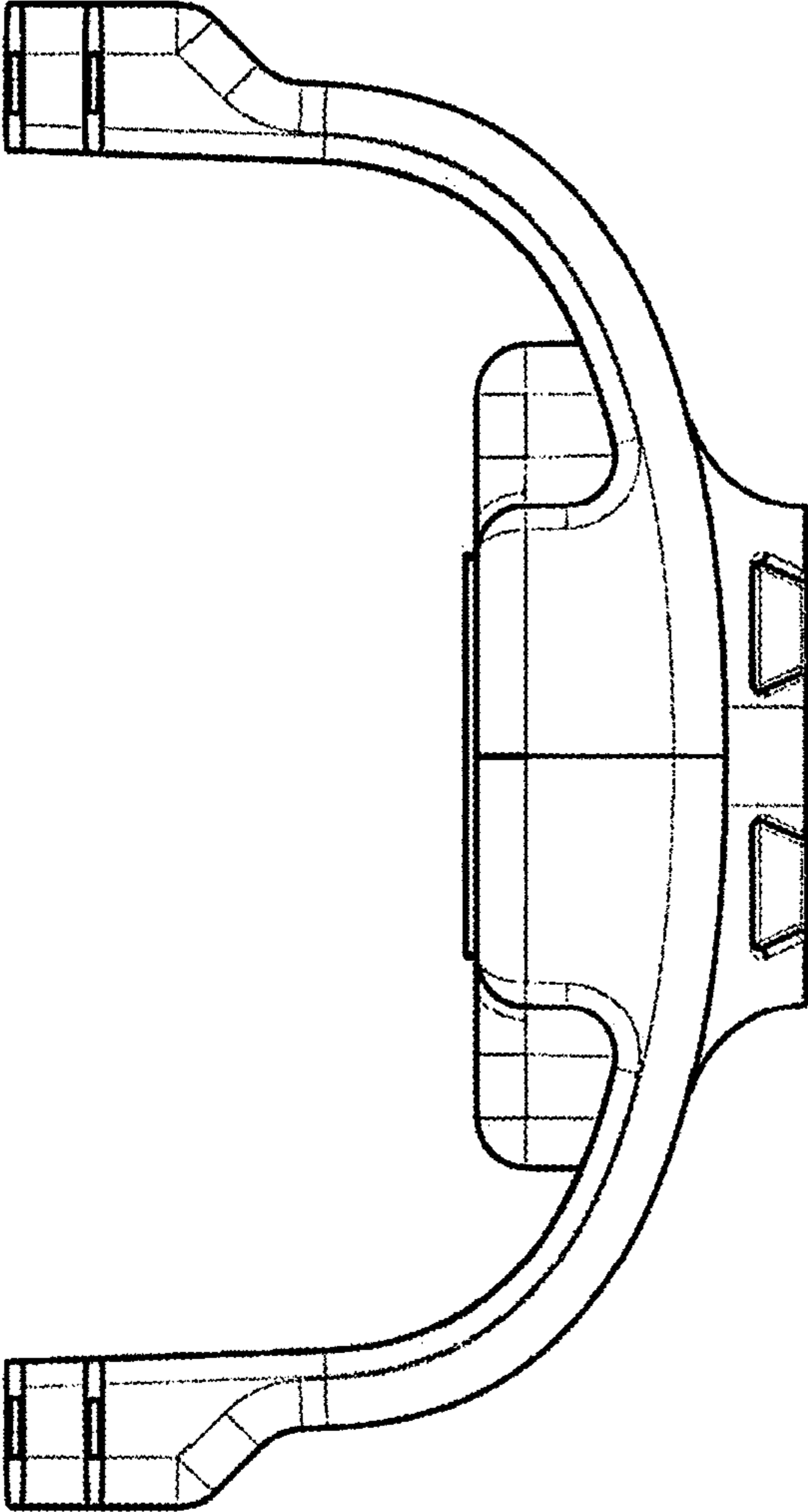


FIG. 8



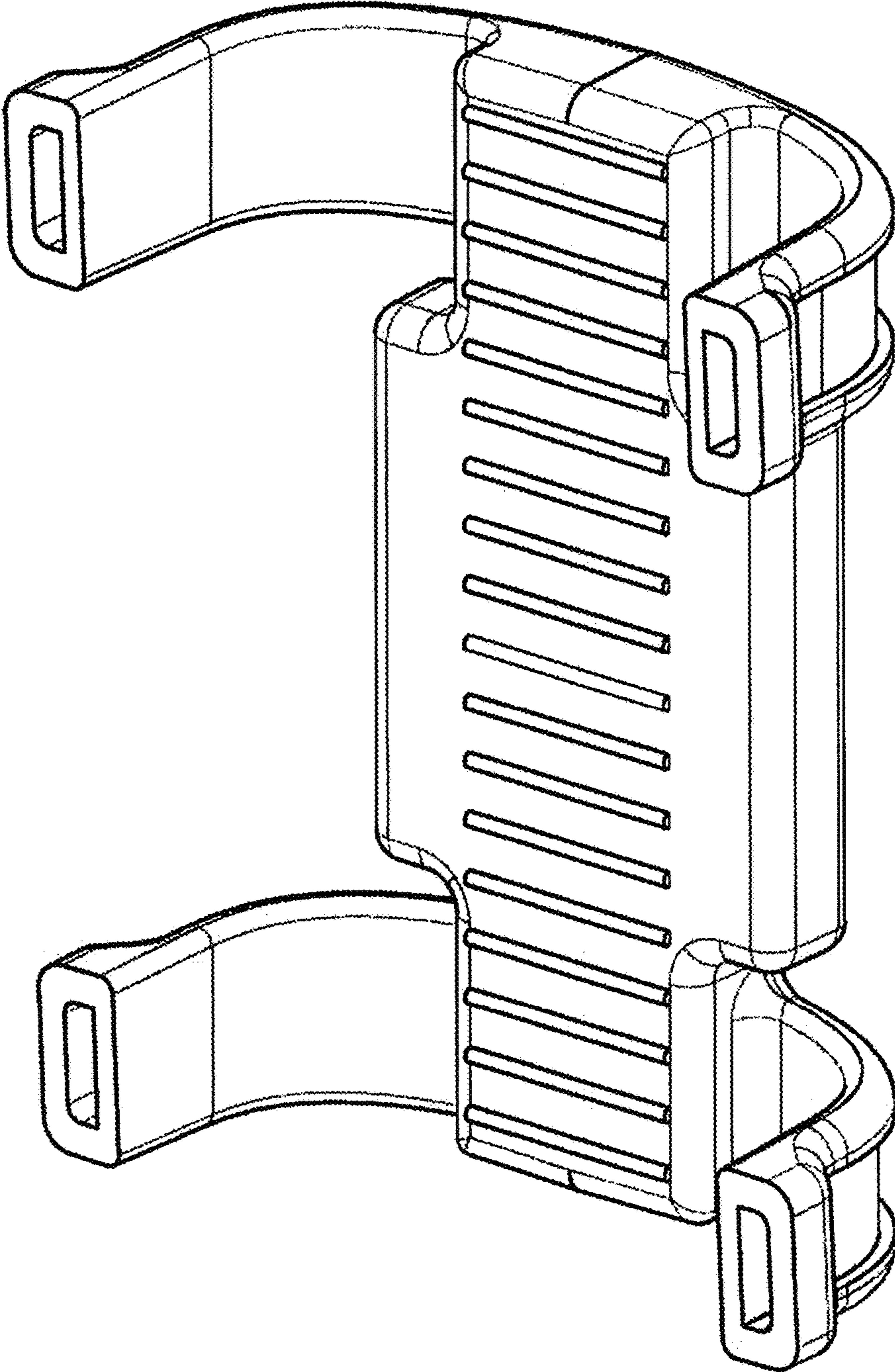


FIG. 9

FIG. 10

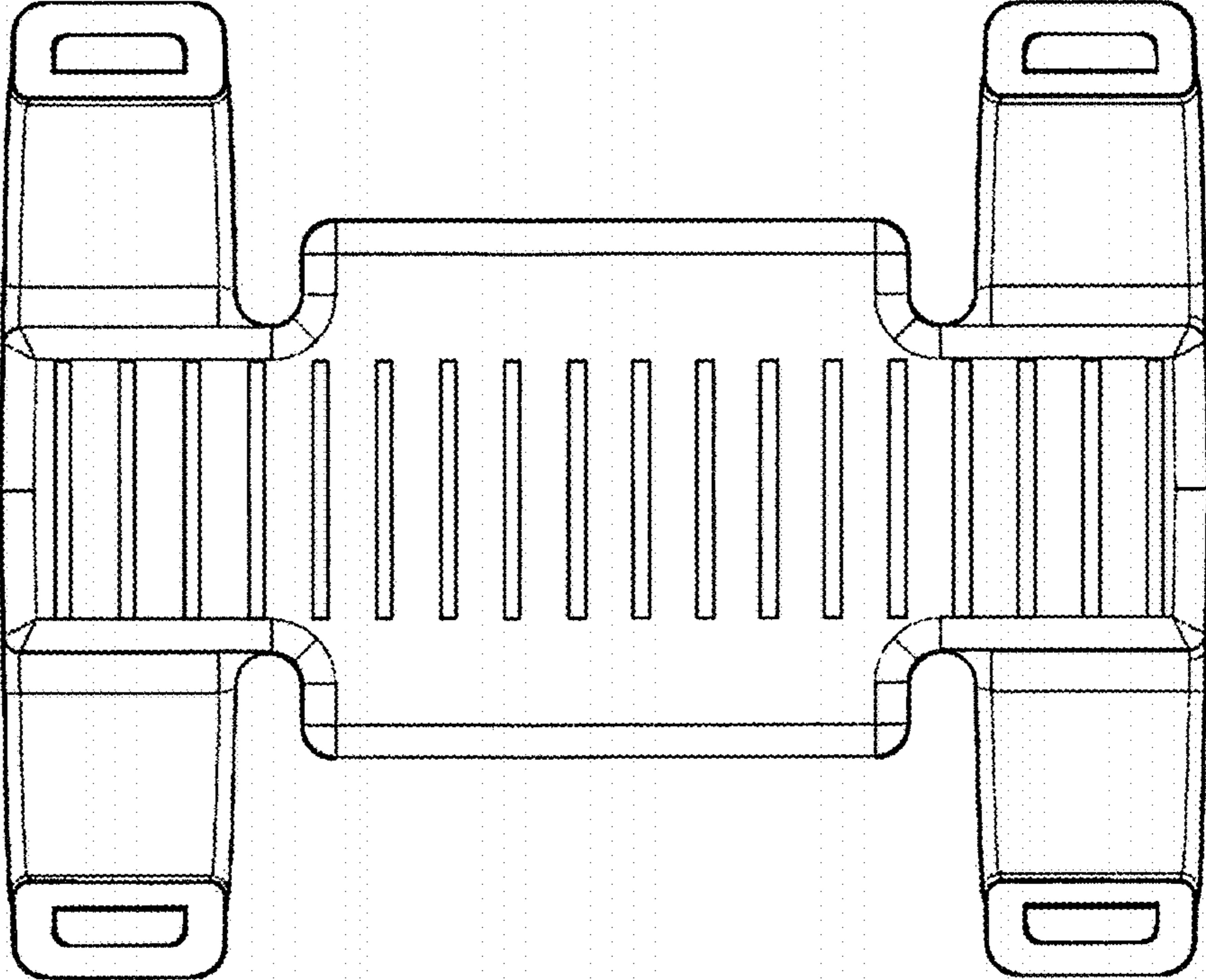


FIG. 11

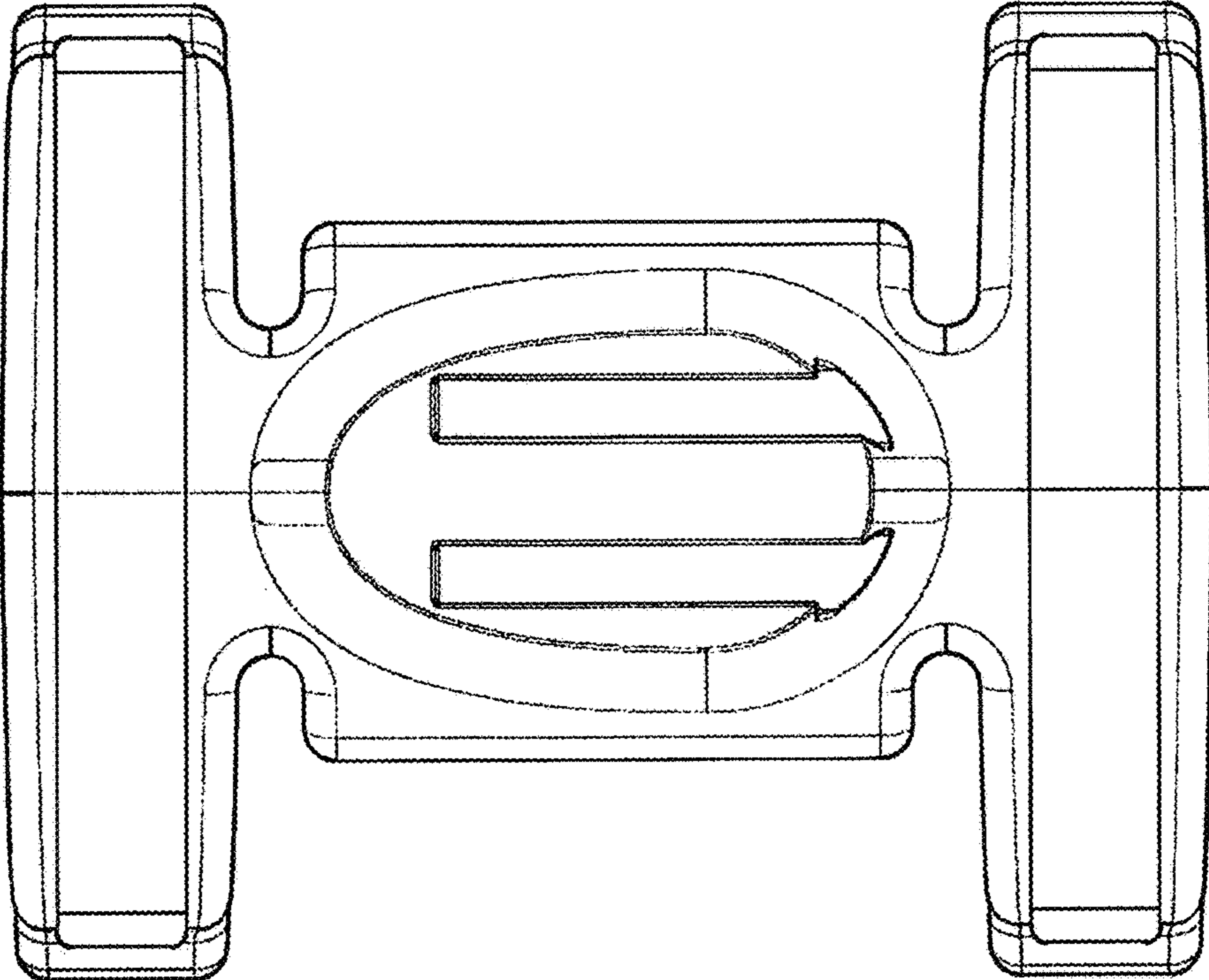


FIG. 12

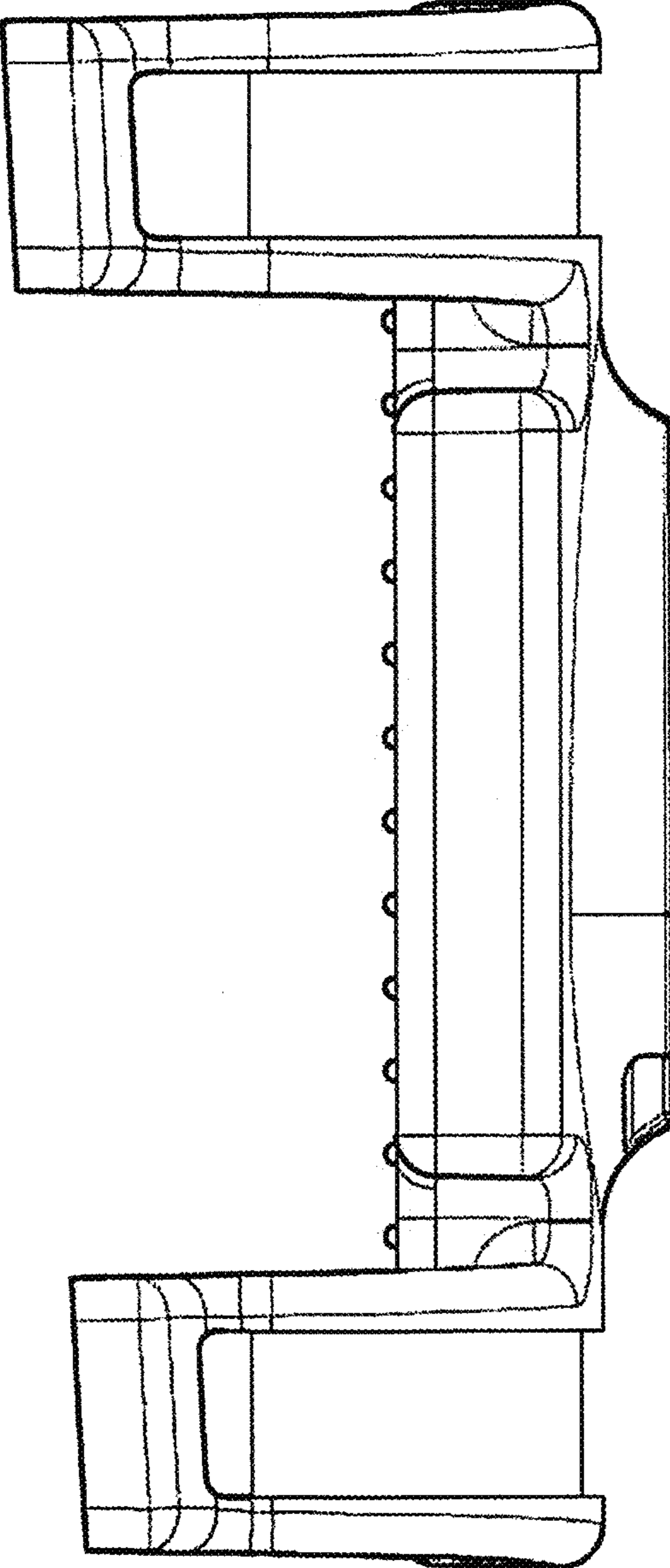


FIG. 13

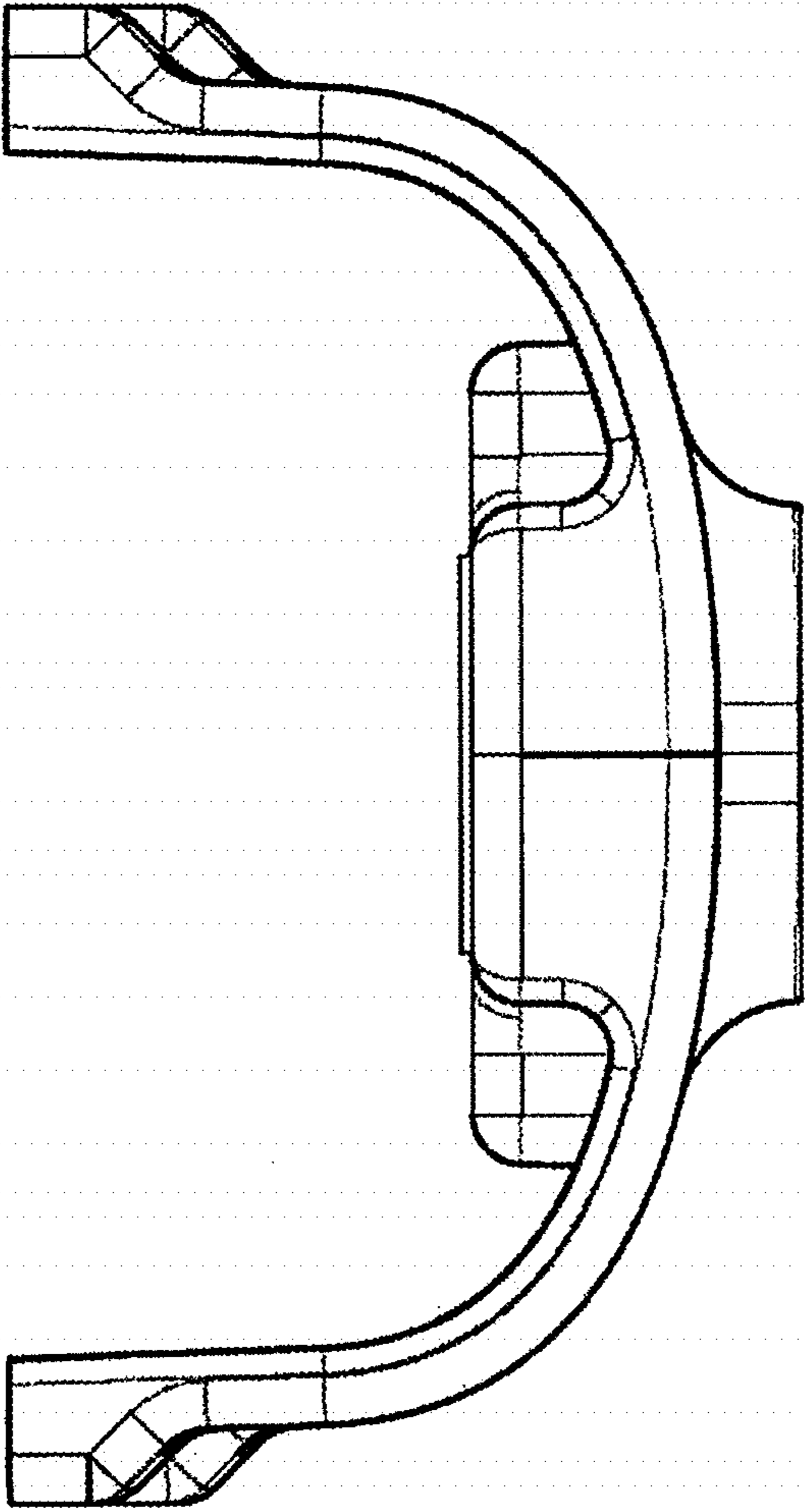


FIG. 14

