



US00D831773S

(12) **United States Design Patent**  
**Huang**

(10) **Patent No.:** **US D831,773 S**

(45) **Date of Patent:** **\*\* Oct. 23, 2018**

- (54) **TENT**
- (71) Applicant: **Huizheng Huang**, Zhongshan (CN)
- (72) Inventor: **Huizheng Huang**, Zhongshan (CN)
- (73) Assignee: **Huizheng Huang**, Zhongshan (CN)
- (\*\*) Term: **15 Years**

D763,391 S *	8/2016	Xu	.....	D21/837
D773,579 S *	12/2016	Shir	.....	D21/837
D775,296 S *	12/2016	Shir	.....	D21/837
D778,383 S *	2/2017	Xu	.....	D21/837
D795,980 S *	8/2017	Xiao	.....	D21/834
D822,141 S *	7/2018	Xiao	.....	D21/837
D823,968 S *	7/2018	Xiao	.....	D21/837
D824,474 S *	7/2018	Xiao	.....	D21/837

\* cited by examiner

- (21) Appl. No.: **29/631,032**
- (22) Filed: **Dec. 27, 2017**
- (51) **LOC (11) Cl.** ..... **21-04**
- (52) **U.S. Cl.**  
USPC ..... **D21/834**; D21/837
- (58) **Field of Classification Search**  
USPC ..... D21/834, 835, 836, 837, 838, 839, 840  
CPC ..... E04H 15/00; E04H 15/02; E04H 15/18;  
E04H 15/28; E04H 15/32; E04H 15/34;  
E04H 15/40; E04H 15/42; E04H 15/425;  
E04H 15/50  
See application file for complete search history.

*Primary Examiner* — Robin V Webster  
*Assistant Examiner* — Keith J Wilson  
 (74) *Attorney, Agent, or Firm* — ScienBiziP, P.C.

(57) **CLAIM**

The ornamental design for a tent, as shown and described.

**DESCRIPTION**

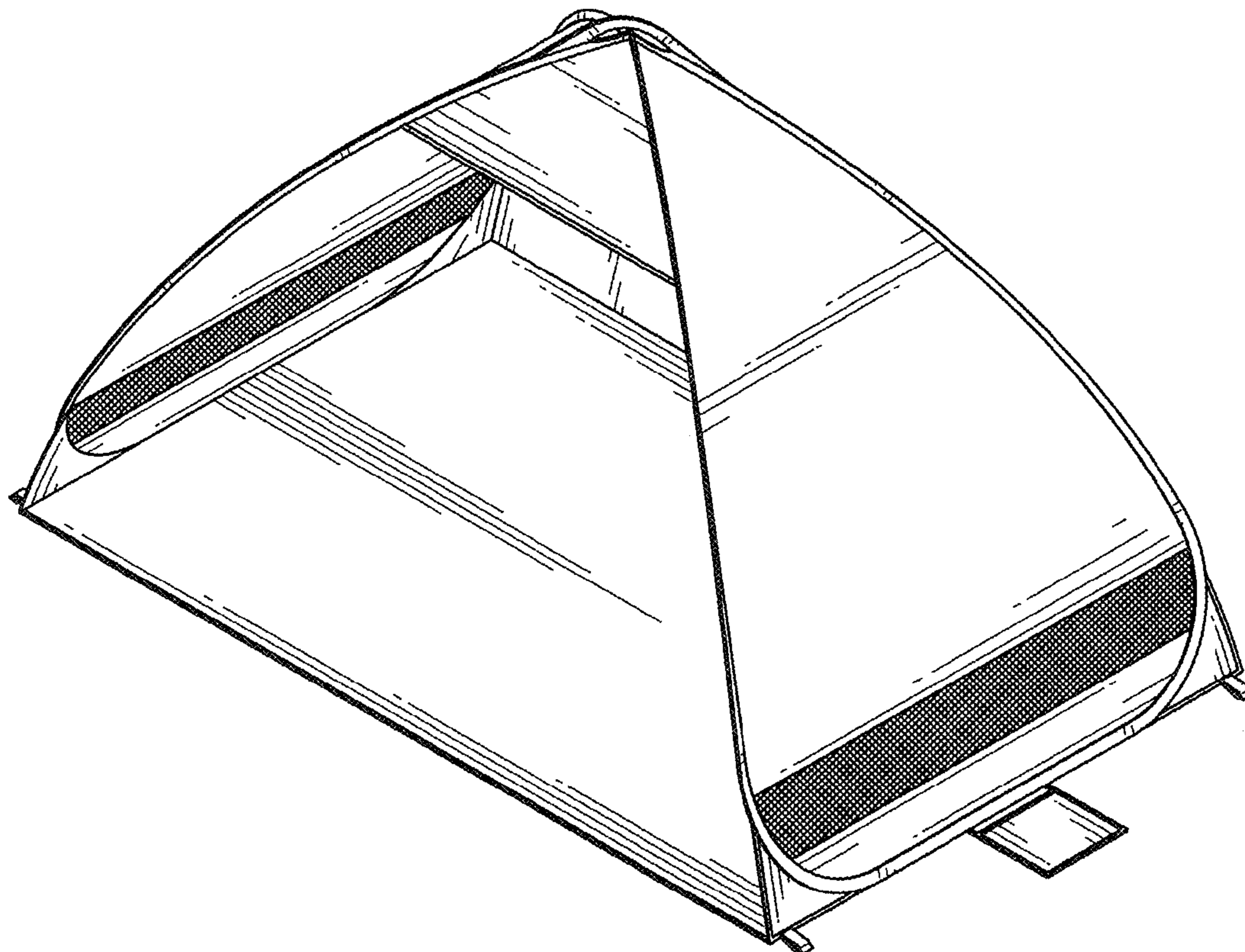
FIG. 1 is a front, right side, top perspective view of the tent showing my new design;  
 FIG. 2 is a rear, left side, top perspective view thereof;  
 FIG. 3 is a front elevational view thereof;  
 FIG. 4 is a rear elevational view thereof;  
 FIG. 5 is a left side elevational view thereof;  
 FIG. 6 is a right side elevational view thereof;  
 FIG. 7 is a top plan view thereof; and,  
 FIG. 8 is a bottom plan view thereof.

(56) **References Cited**

U.S. PATENT DOCUMENTS

D366,511 S *	1/1996	Coddington, Jr.	.....	D21/834
D661,362 S *	6/2012	Zimmer	.....	D21/834

**1 Claim, 8 Drawing Sheets**



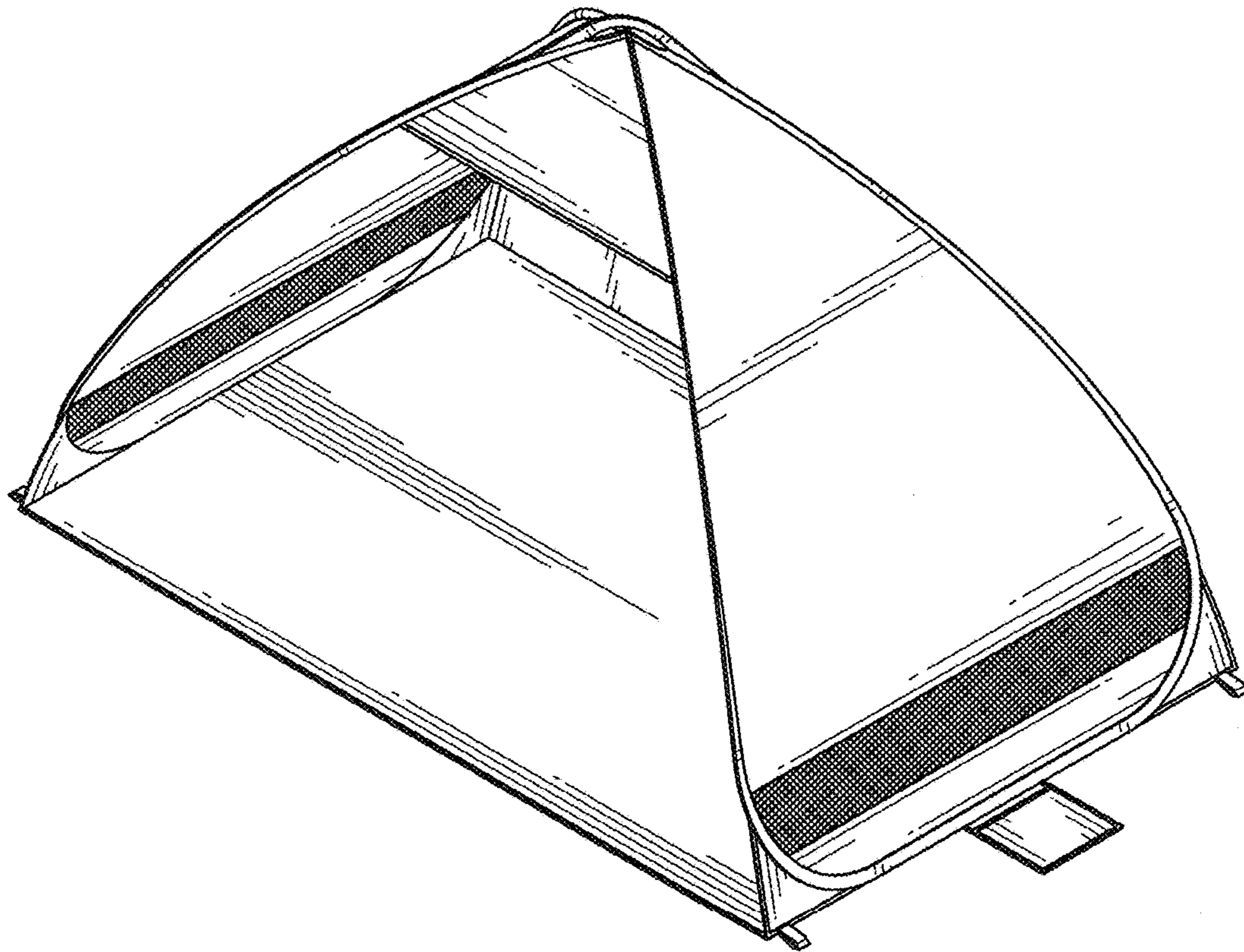


FIG. 1

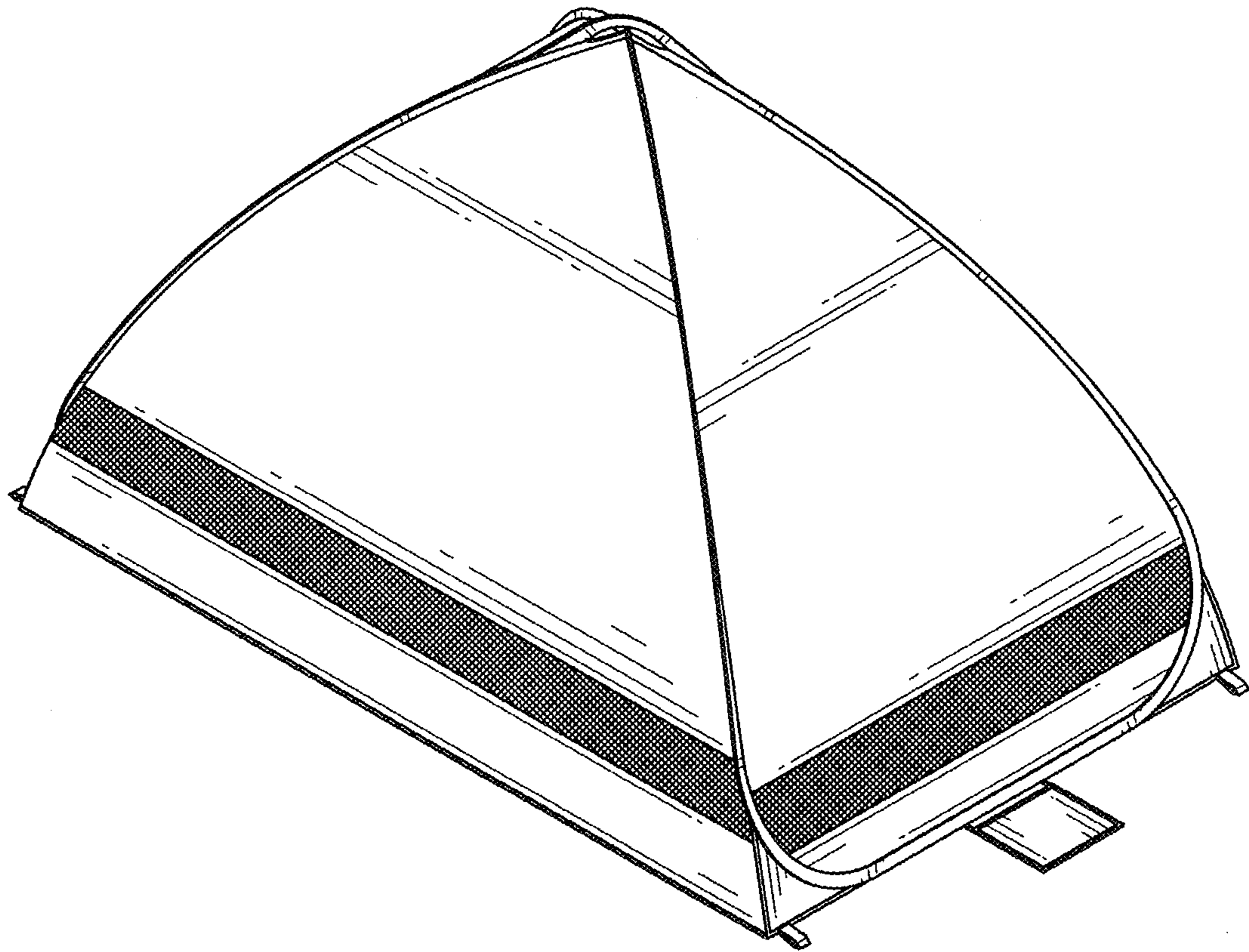


FIG. 2



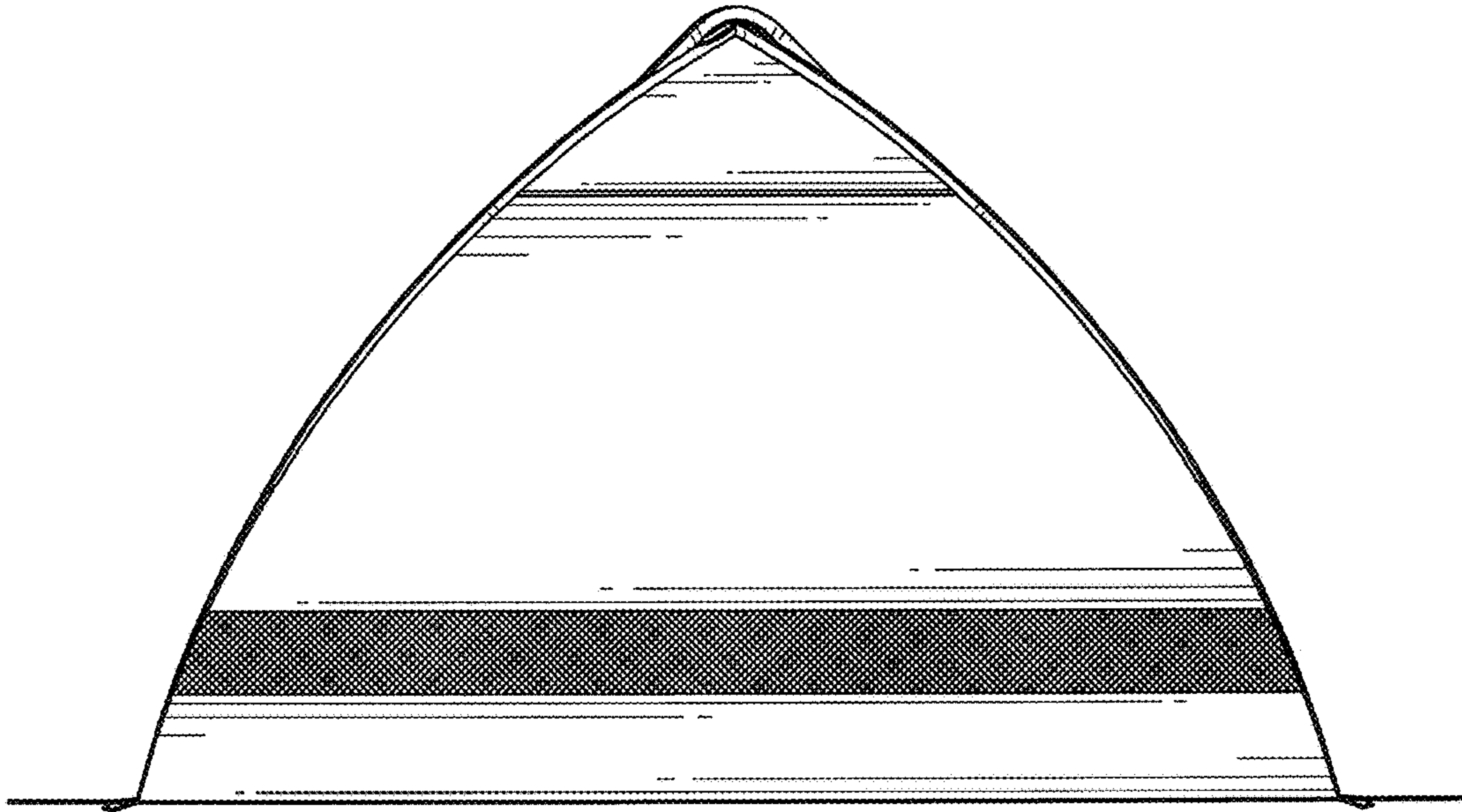


FIG. 3

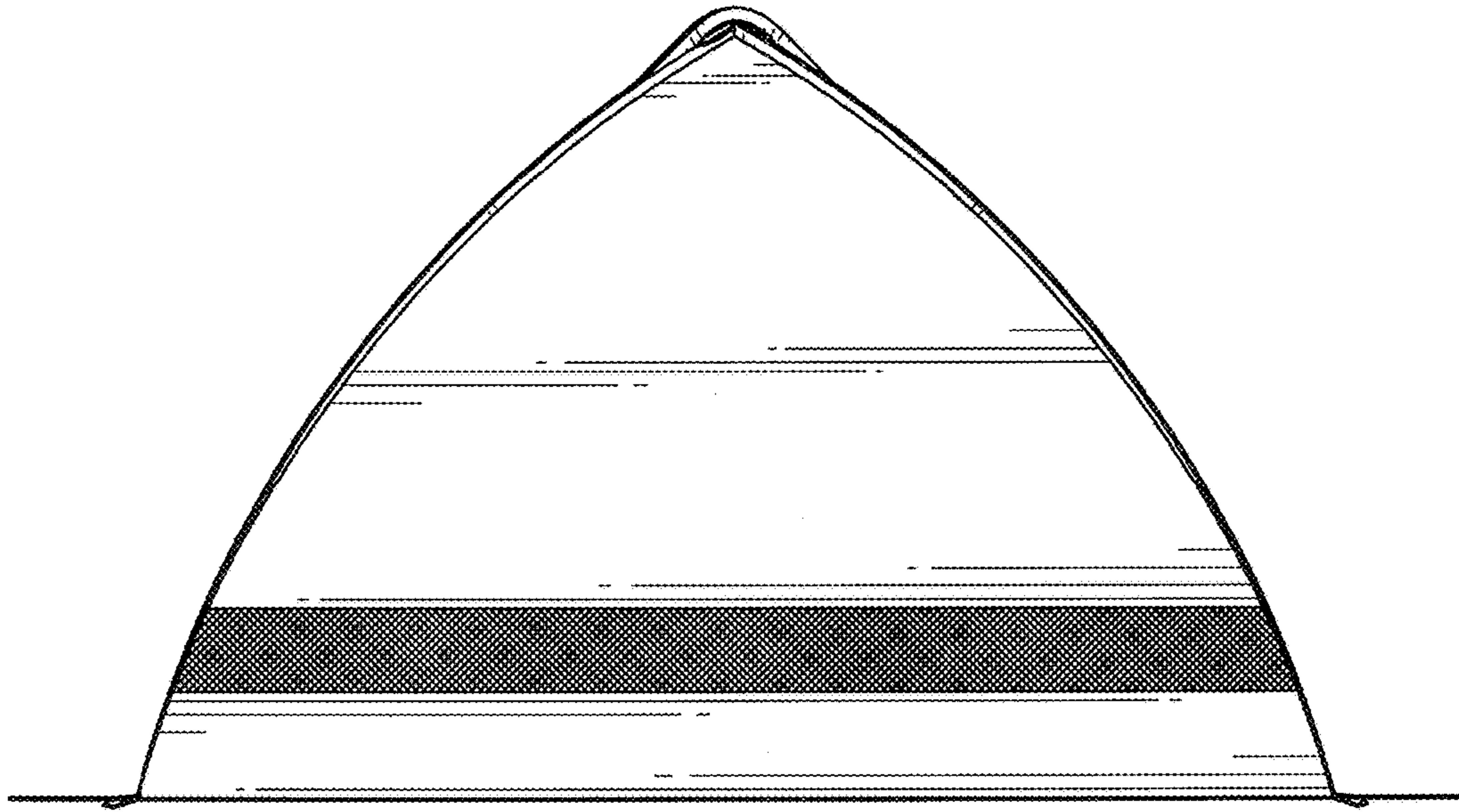


FIG. 4

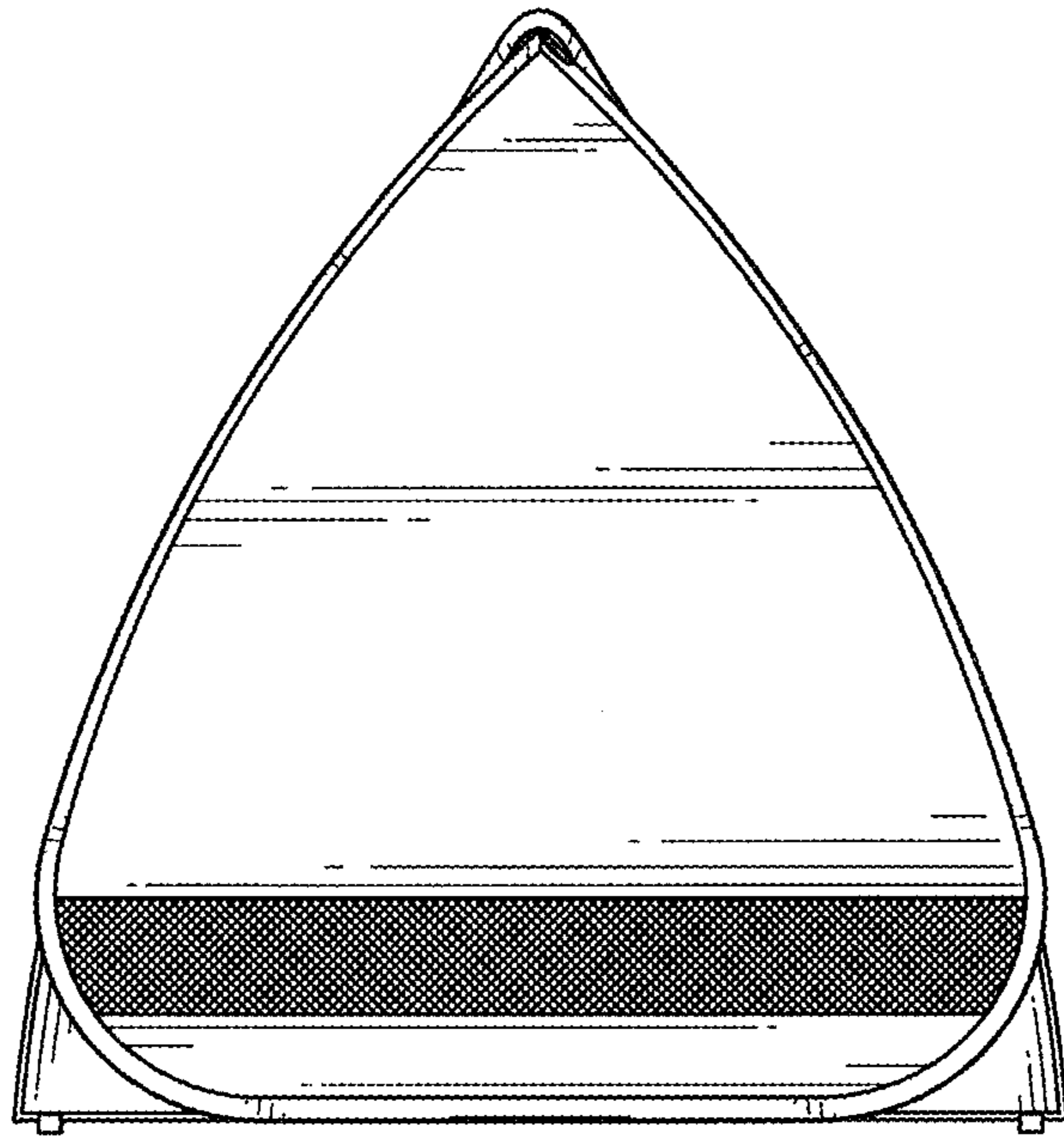


FIG. 5

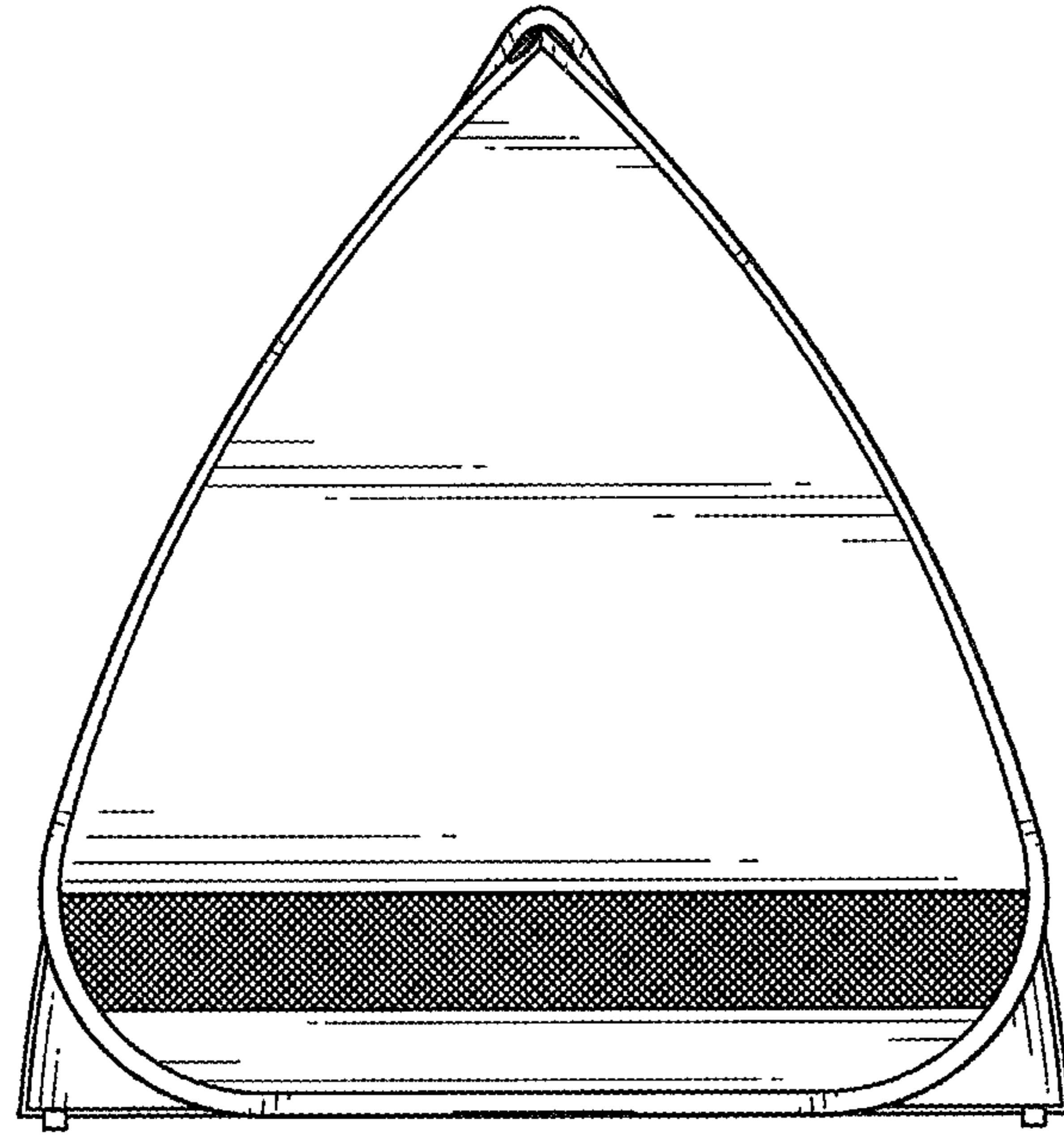


FIG. 6

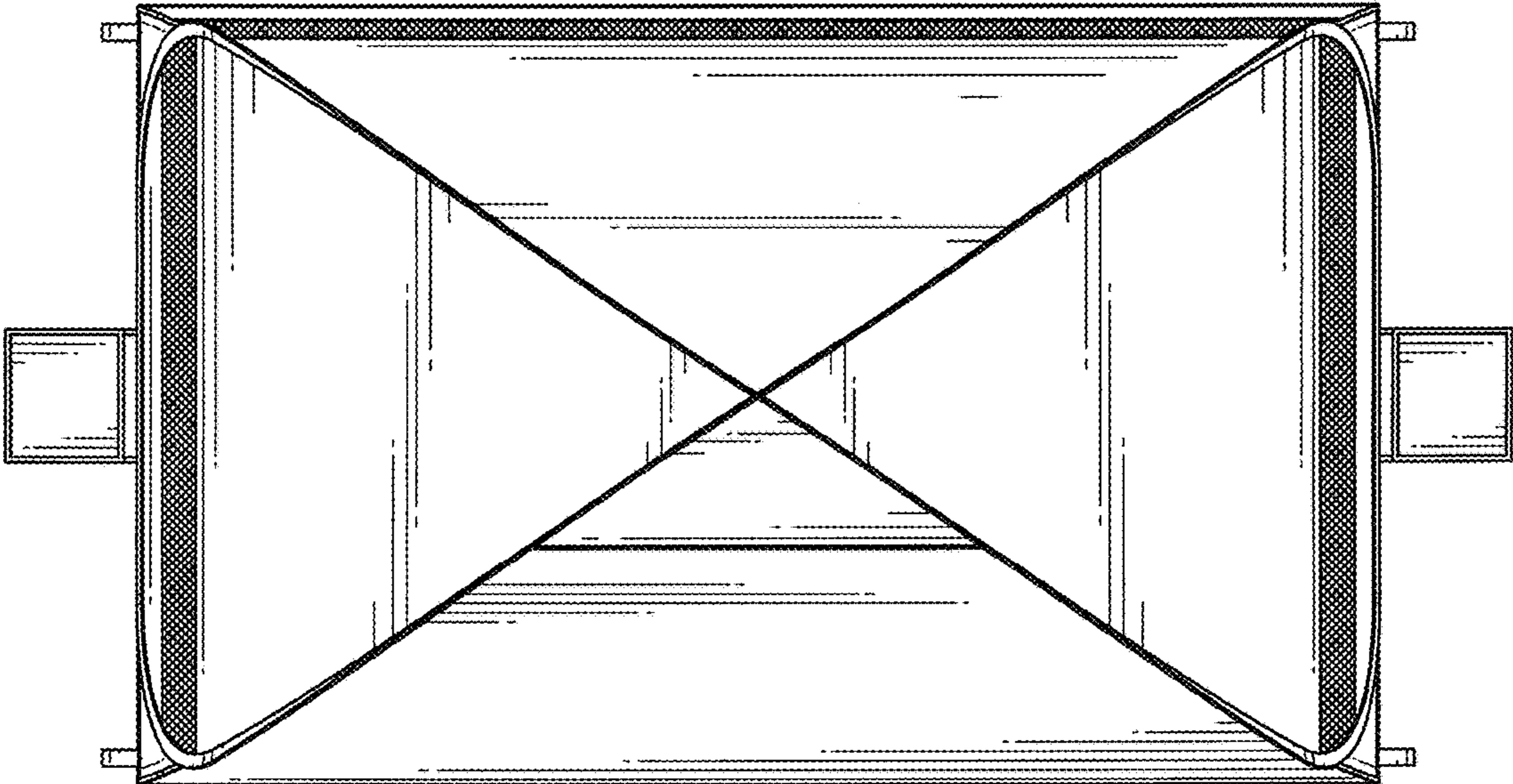


FIG. 7



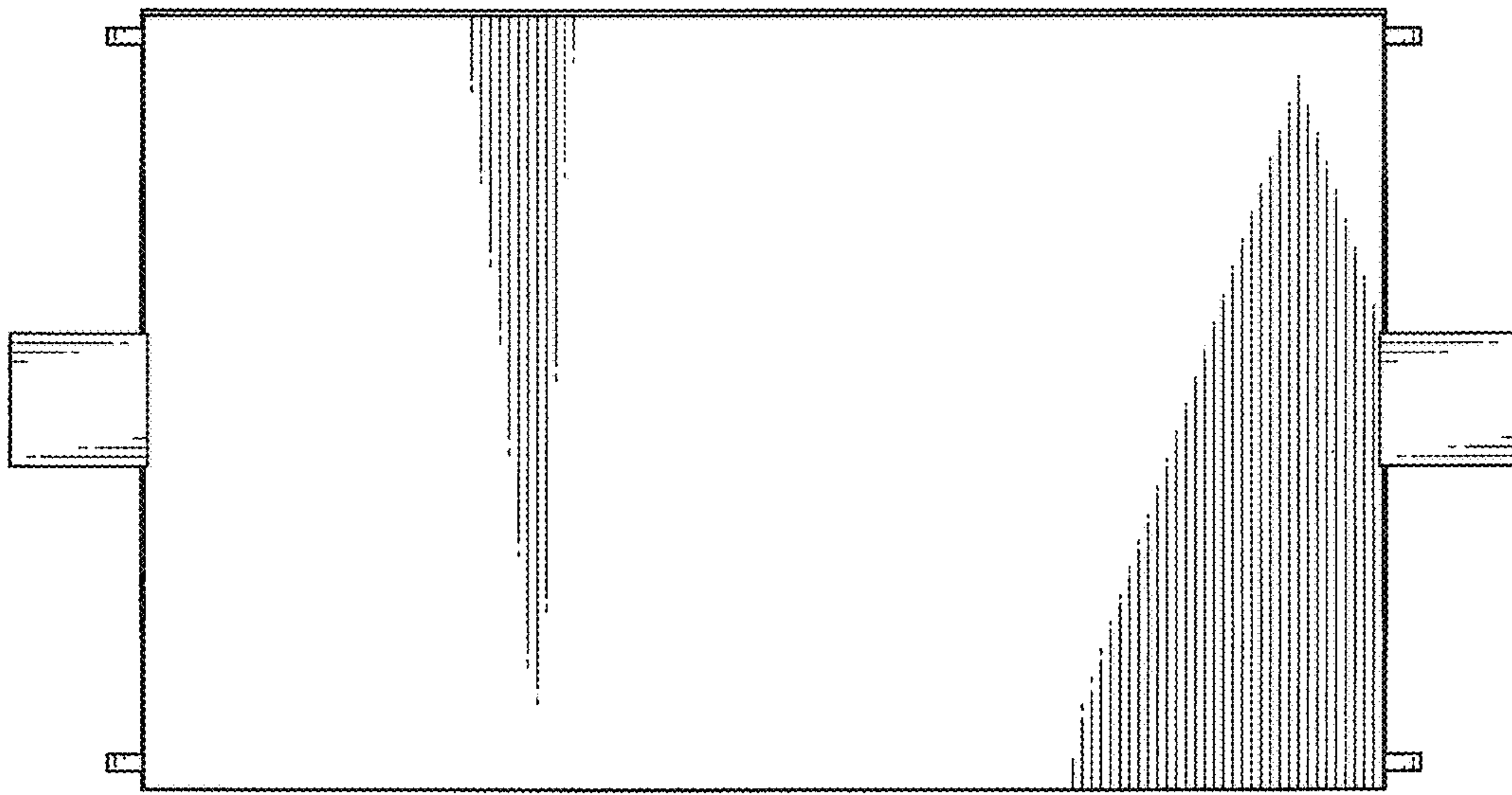


FIG. 8