



US00D831772S

(12) **United States Design Patent** (10) **Patent No.:** **US D831,772 S**  
**Hanley** (45) **Date of Patent:** **\*\* Oct. 23, 2018**

(54) **POINTED TOP AIR SUSPENDED PLAY FORT WITH WINDOW**

FOREIGN PATENT DOCUMENTS

(71) Applicant: **AIR FORT, LLC**, Del Mar, CA (US)

WO 2017024291 A2 2/2017

(72) Inventor: **Edward Hanley**, Del Mar, CA (US)

OTHER PUBLICATIONS

(\*\*) Term: **15 Years**

Air Fort, "Air Fort in Action," <<https://www.youtube.com/watch?v=q18cz2Qwfzo>> webpage accessed Feb. 16, 2017.

(21) Appl. No.: **29/627,799**

(Continued)

(22) Filed: **Nov. 29, 2017**

*Primary Examiner* — Robin V Webster

(51) **LOC (11) Cl.** ..... **21-04**

*Assistant Examiner* — Keith J Wilson

(52) **U.S. Cl.**

(74) *Attorney, Agent, or Firm* — David B. Waller

USPC ..... **D21/834**

(58) **Field of Classification Search**

(57) **CLAIM**

USPC ..... D21/834, 835, 836, 837, 838, 839, 840  
CPC ..... E04H 15/00; E04H 15/02; E04H 15/18;  
E04H 15/28; E04H 15/32; E04H 15/34;  
E04H 15/40; E04H 15/42; E04H 15/425;  
E04H 15/50

The ornamental design for a pointed top air suspended play fort with window, as shown and described.

See application file for complete search history.

**DESCRIPTION**

(56) **References Cited**

FIG. 1 is a perspective view of the pointed top air suspended play fort with window.

U.S. PATENT DOCUMENTS

FIG. 2 is a side view of the pointed top air suspended play fort with window.

|                |         |               |                        |
|----------------|---------|---------------|------------------------|
| 2,910,994 A    | 11/1959 | Joy           |                        |
| 3,284,969 A *  | 11/1966 | Walters       | E04B 1/3211<br>52/578  |
| 3,862,876 A    | 1/1975  | Graves        |                        |
| 4,634,618 A    | 1/1987  | Greer et al.  |                        |
| D305,790 S *   | 1/1990  | Soderstrom    | D21/834                |
| 5,485,701 A *  | 1/1996  | Hecht         | E04B 1/3211<br>446/476 |
| D370,266 S *   | 5/1996  | Queen         | D25/18                 |
| 5,636,478 A    | 6/1997  | Chen          |                        |
| 5,970,661 A    | 10/1999 | Bishop et al. |                        |
| D418,573 S *   | 1/2000  | Ju            | D21/834                |
| 6,363,551 B1   | 4/2002  | Flores        |                        |
| 6,421,963 B1 * | 7/2002  | Pratola       | A63H 33/008<br>135/94  |
| D484,942 S *   | 1/2004  | Rapaport      | D21/834                |
| D560,741 S *   | 1/2008  | Bernart       | D21/836                |

FIG. 3 is a side view of the pointed top air suspended play fort with window.

FIG. 4 is a front view of the pointed top air suspended play fort with window.

FIG. 5 is a back view of the pointed top air suspended play fort with window.

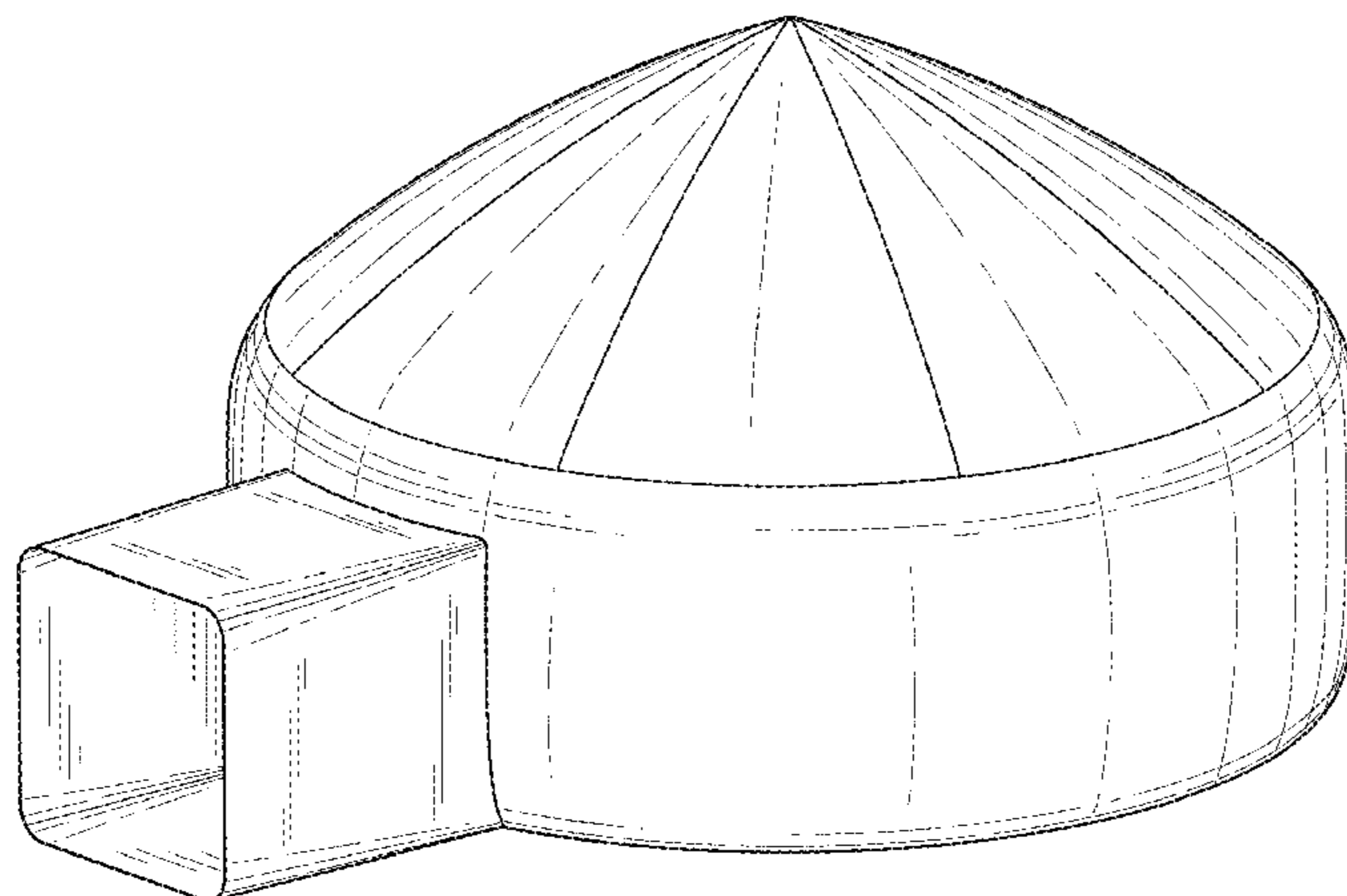
FIG. 6 is a top view of the pointed top air suspended play fort with window; and,

FIG. 7 is a bottom view of the pointed top air suspended play fort with window.

The present application is directed to the design illustrated in the drawings. The elements shown in broken lines are included for illustrative purposes only and form no part of the claimed design.

(Continued)

**1 Claim, 7 Drawing Sheets**



(56)

**References Cited**

U.S. PATENT DOCUMENTS

D652,885 S \* 1/2012 Frey ..... D21/834  
D667,912 S \* 9/2012 O'Neil ..... D21/835  
D739,614 S \* 9/2015 Ausman ..... D30/121  
2006/0285836 A1 12/2006 Coppola

OTHER PUBLICATIONS

Air Fort, "Air Fort," <<https://web.archive.org/web/20160108165436/myairfort.com/>> webpage accessed Feb. 16, 2017.

International Search Report and Written Opinion for Application No. PCT/US2016/045926 dated Mar. 24, 2017 (9 pages).

Lindstrom, "Remember fun filled fantasies in fan filled forts?," <<https://www.kickstarter.com/projects/1353512235/remember-fun-filled-fantasies-in-fan-filled-forts/updates>> webpage accessed Feb. 16, 2017.

\* cited by examiner

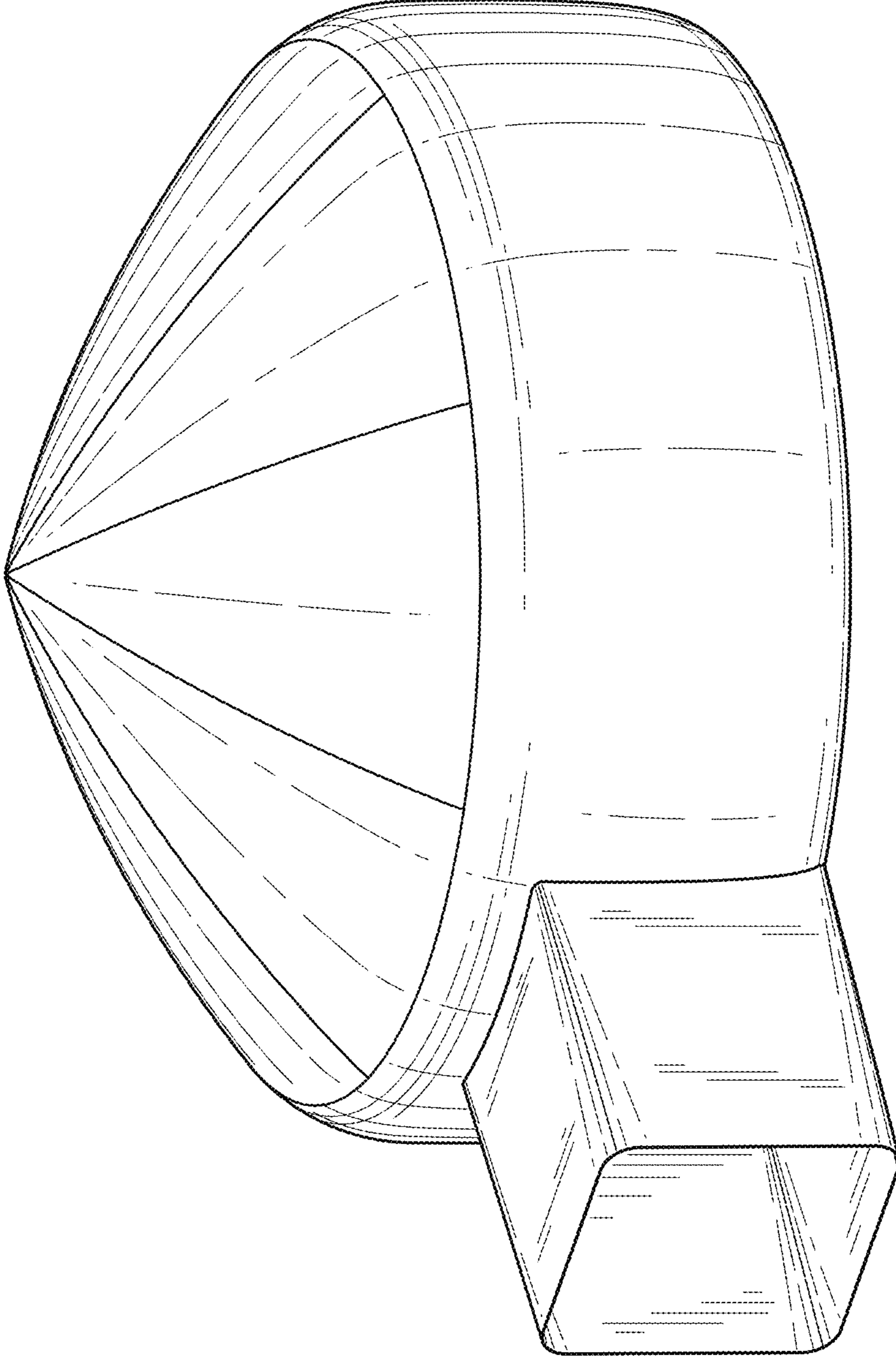


FIG. 1

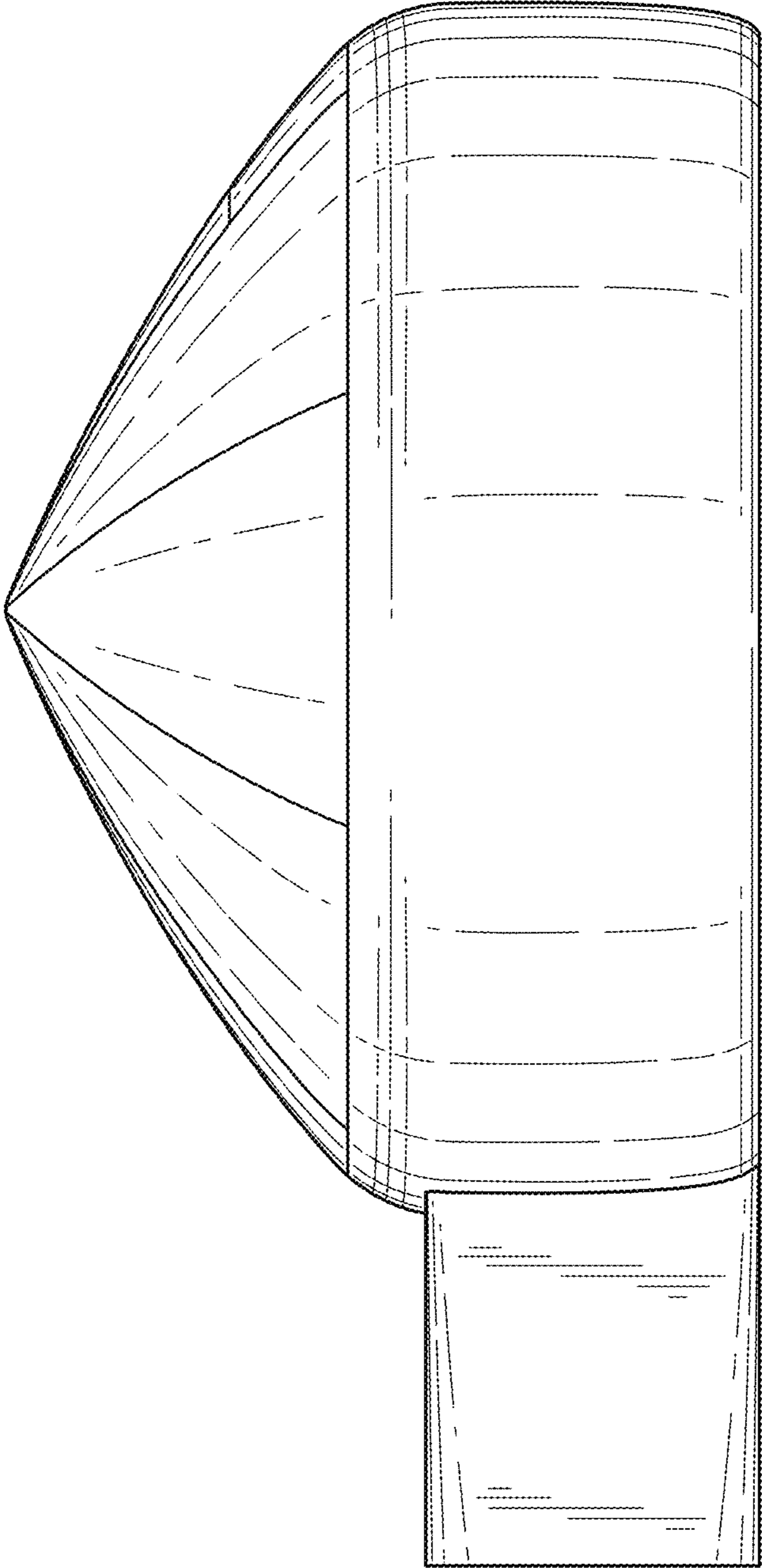


FIG. 2

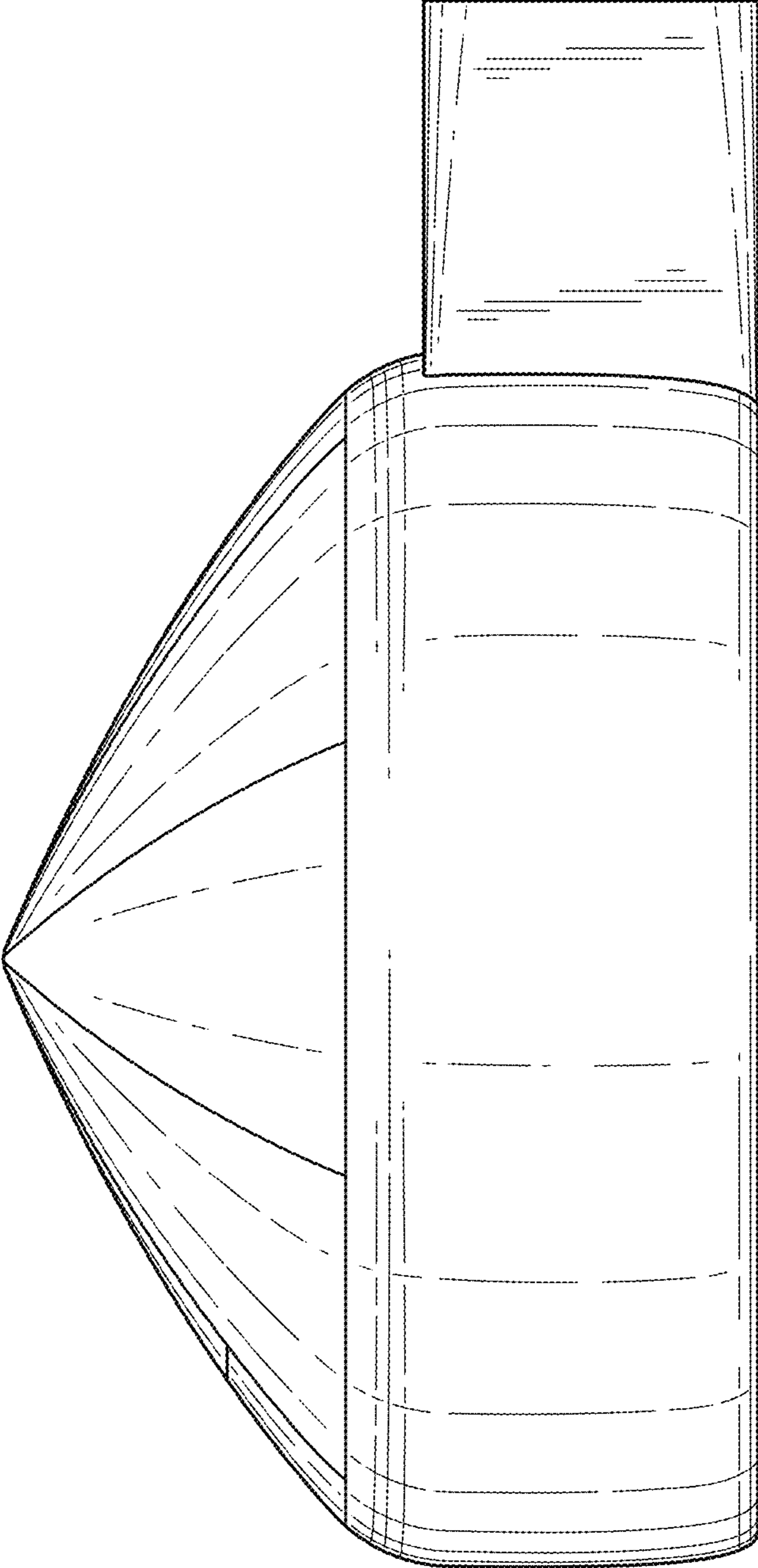
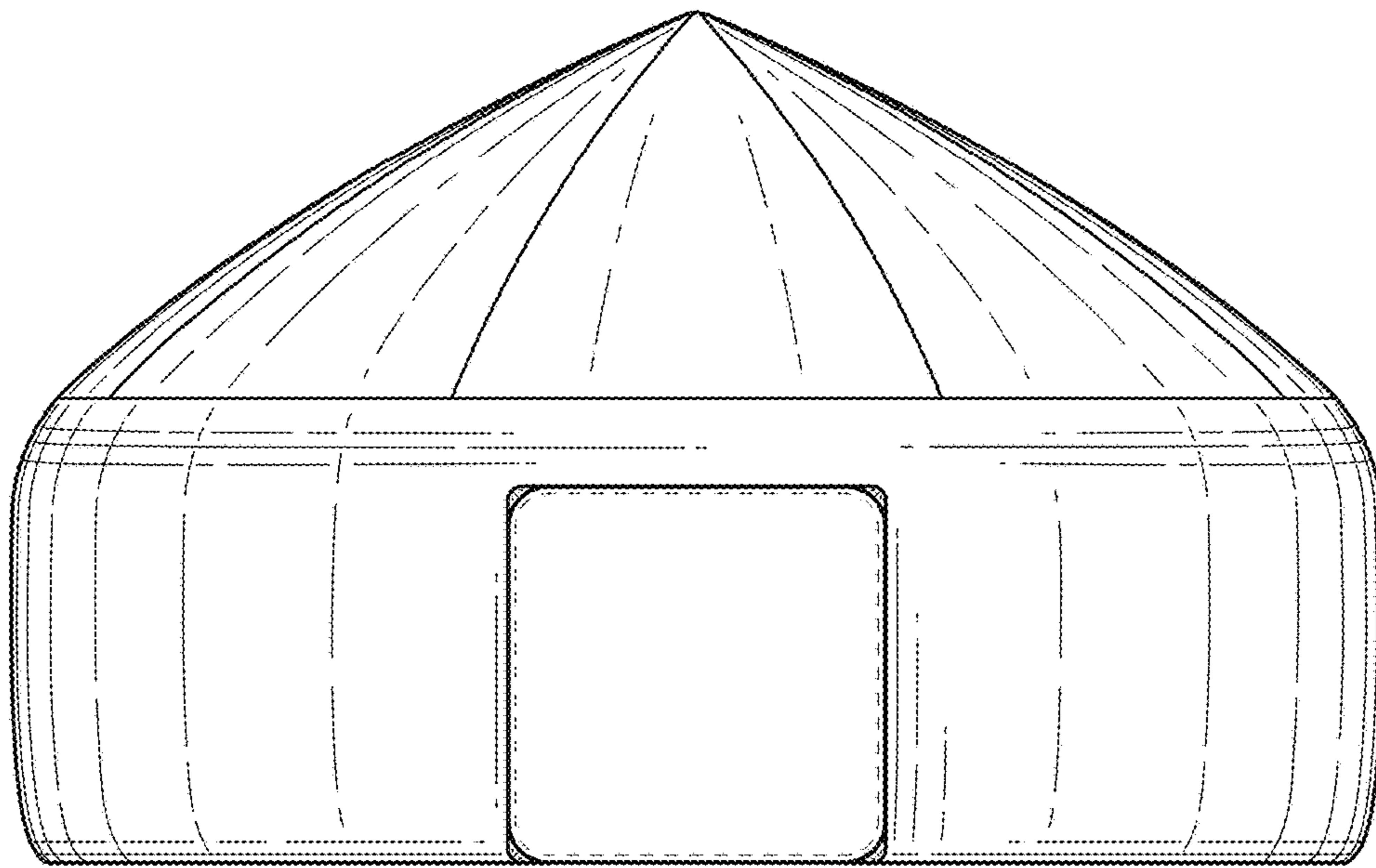
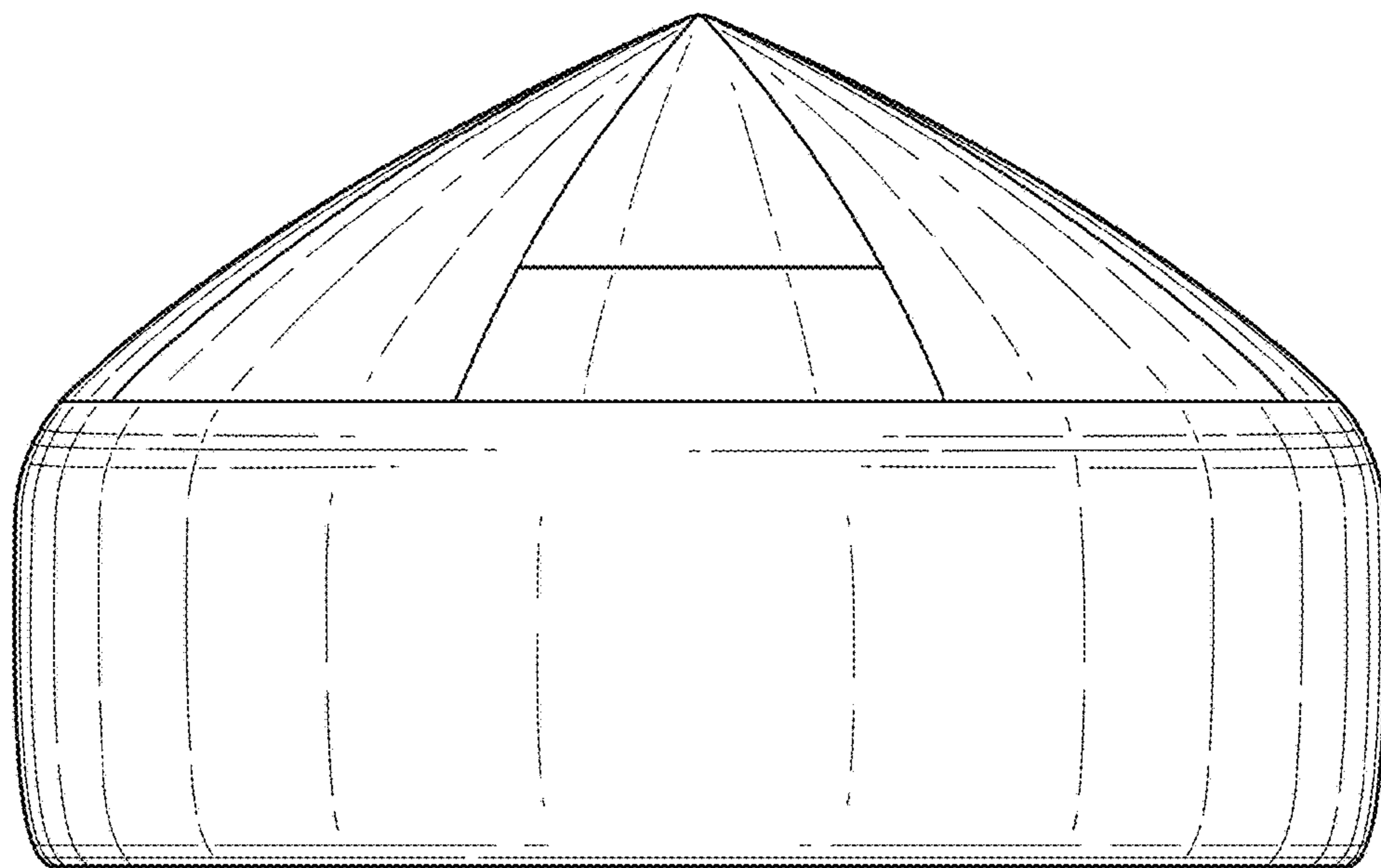


FIG. 3

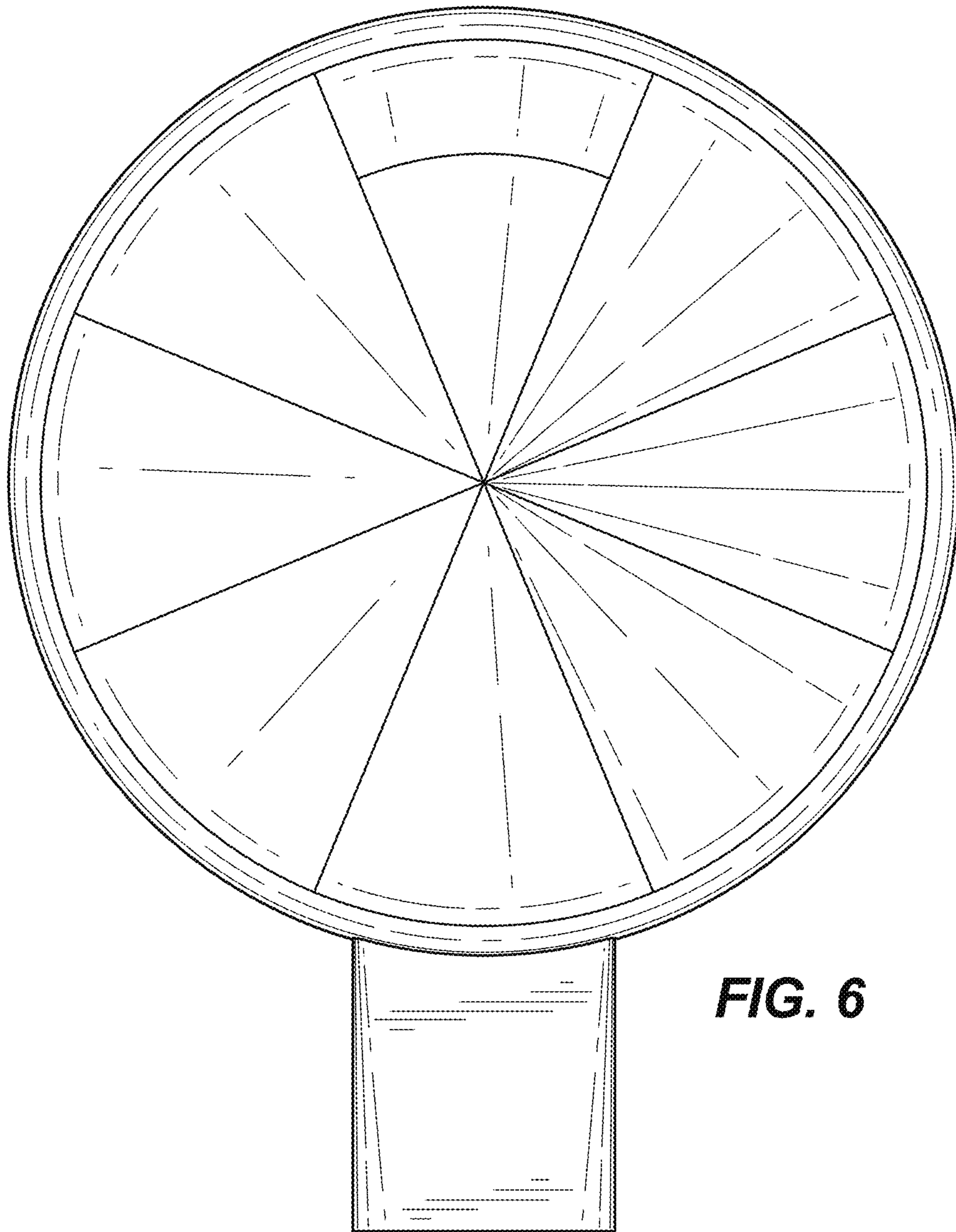




**FIG. 4**

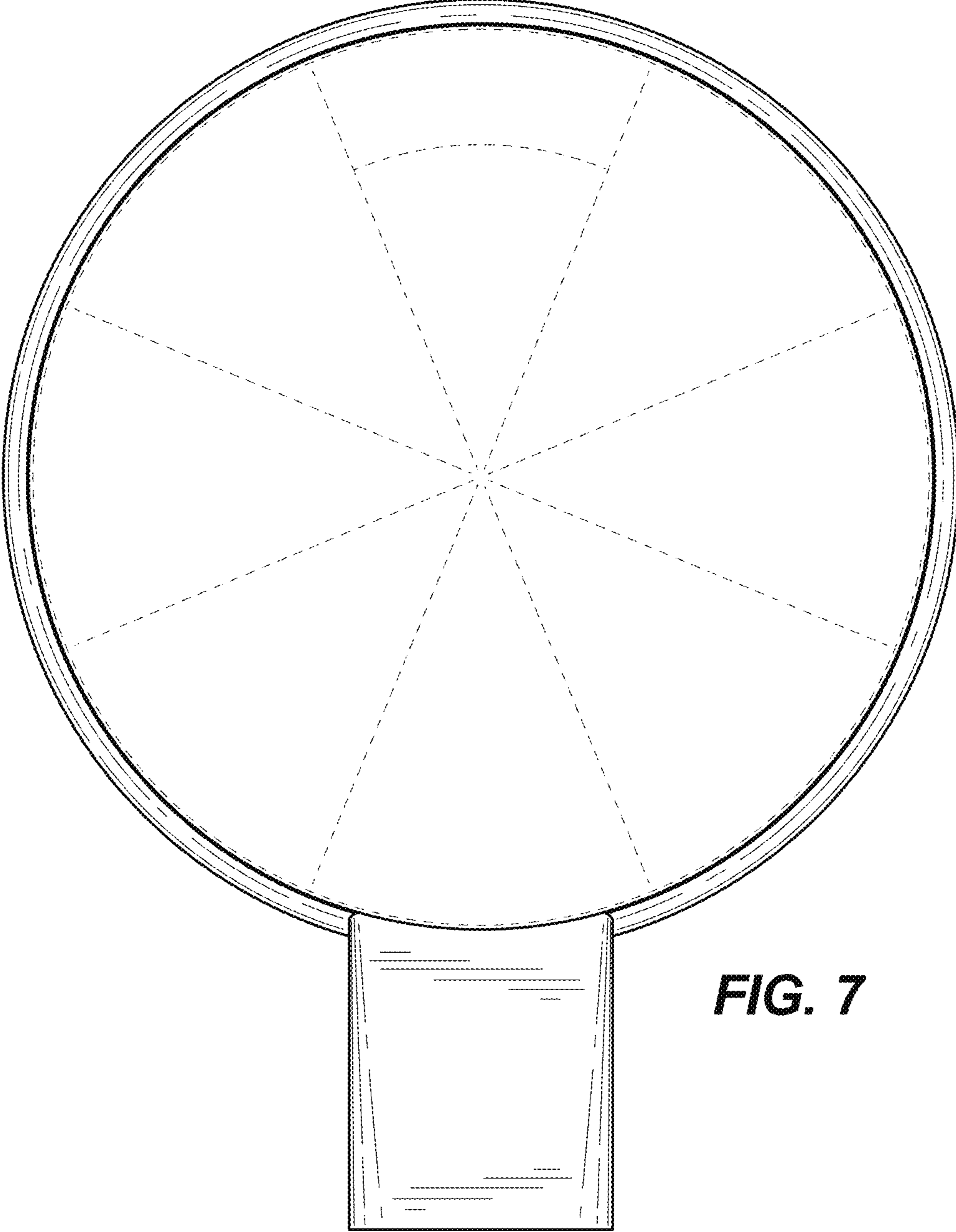


**FIG. 5**



**FIG. 6**





**FIG. 7**