



US00D831768S

(12) **United States Design Patent**
Andreasyan

(10) **Patent No.:** **US D831,768 S**

(45) **Date of Patent:** **** Oct. 23, 2018**

- (54) **SKATEBOARD**
- (71) Applicant: **Arthur Andreasyan**, North Hollywood, CA (US)
- (72) Inventor: **Arthur Andreasyan**, North Hollywood, CA (US)
- (**) Term: **15 Years**
- (21) Appl. No.: **29/621,396**
- (22) Filed: **Oct. 6, 2017**
- (51) **LOC (11) Cl.** **21-02**
- (52) **U.S. Cl.**
USPC **D21/765**
- (58) **Field of Classification Search**
USPC D21/419, 421, 423, 426, 662, 760, 765, D21/766, 769, 771, 776, 803
CPC A63C 17/01; A63C 17/011; A63C 17/012; A63C 17/014; A63C 17/015; A63C 17/02; A63C 17/26; A63C 5/003; B60Q 1/326; B62K 3/001
See application file for complete search history.

- 7,976,034 B1 * 7/2011 Hong A63C 17/01 280/87.042
- 8,317,206 B1 * 11/2012 Novitzky A63C 17/008 280/87.042
- 8,523,205 B2 * 9/2013 Hsu A63C 17/014 280/87.041
- D692,079 S * 10/2013 Mackay D21/765
- D692,080 S * 10/2013 Hamborg D21/765
- D698,881 S * 2/2014 Hamborg D21/765
- D703,780 S * 4/2014 Fox D21/765
- D705,371 S * 5/2014 Slater D21/765
- D705,372 S * 5/2014 Harris D21/765
- 8,746,715 B2 * 6/2014 Woncik A63C 17/0006 280/87.042
- D709,154 S * 7/2014 Brotherson D21/765
- D720,419 S * 12/2014 Norman D21/765
- D720,823 S * 1/2015 Norman D21/765
- D720,824 S * 1/2015 Norman D21/765
- D720,825 S * 1/2015 Norman D21/765
- D722,664 S * 2/2015 Norman D21/765

(Continued)

Primary Examiner — Robin V Webster
Assistant Examiner — Keith J Wilson
(74) *Attorney, Agent, or Firm* — Kevin Prince

(57) **CLAIM**

I claim the ornamental design for a skateboard, as shown and described.

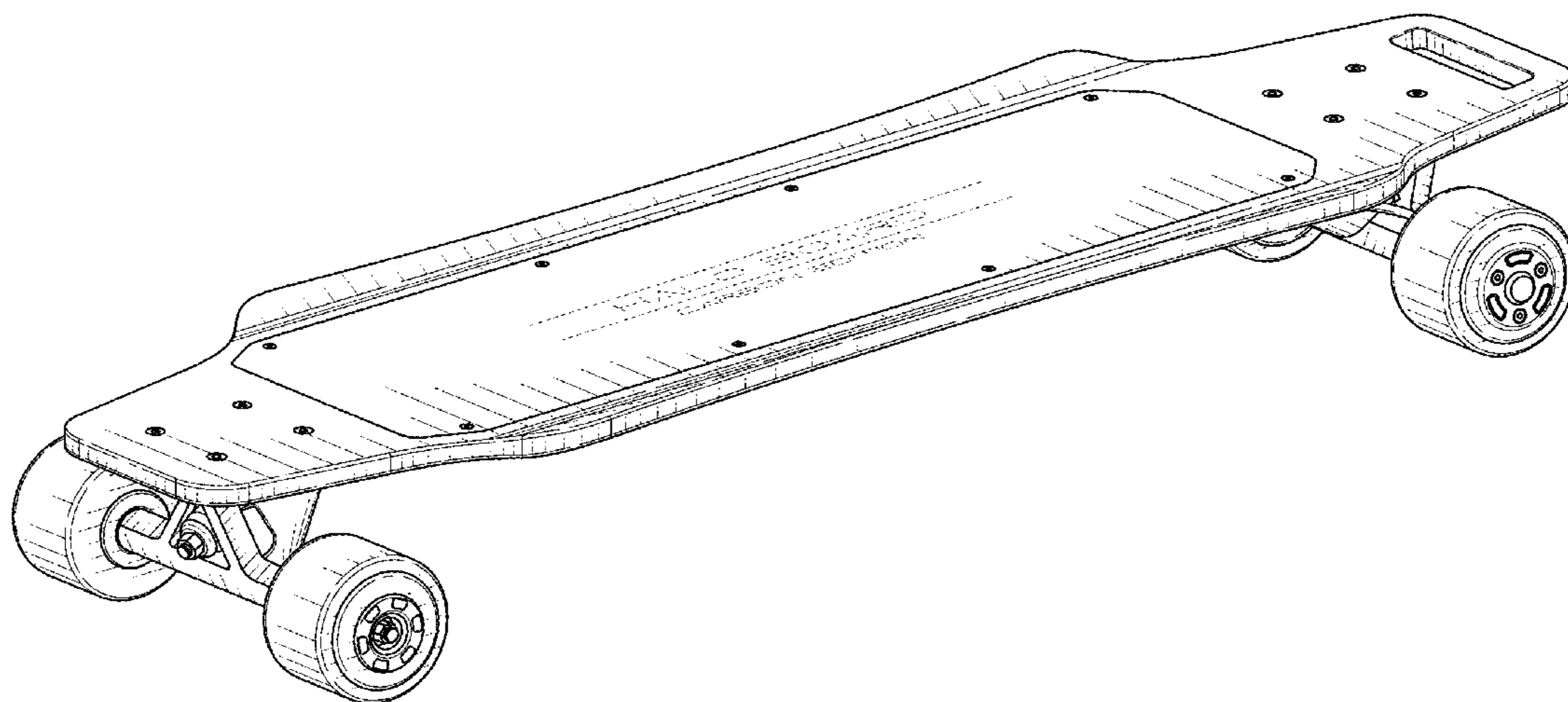
DESCRIPTION

FIG. 1 is a perspective view of a skateboard, showing my new design;
FIG. 2 is a front elevational view thereof;
FIG. 3 is a rear elevational view thereof;
FIG. 4 is a left-side elevational view thereof;
FIG. 5 is a right-side elevational view thereof;
FIG. 6 is a top plan view thereof; and,
FIG. 7 is a bottom plan view thereof.
The broken lines in the figures depict portions of the skateboard that form no part of the claimed design.

1 Claim, 4 Drawing Sheets

(56) **References Cited**
U.S. PATENT DOCUMENTS

- D413,954 S * 9/1999 Gerlach D21/765
- D422,661 S * 4/2000 Edwards D21/765
- D422,662 S * 4/2000 Edwards D21/765
- D505,470 S * 5/2005 Hong A63C 17/12 D21/765
- D513,425 S * 1/2006 Kohl D21/765
- 7,044,486 B2 * 5/2006 Wright A63C 17/0046 280/87.041
- D556,283 S * 11/2007 Hamborg D21/765
- D558,290 S * 12/2007 Findling D21/765
- D608,851 S * 1/2010 Hillman D21/765
- D629,859 S * 12/2010 Buksa D21/765
- D633,584 S * 3/2011 Hong A63C 17/12 D21/765



(56)

References Cited

U.S. PATENT DOCUMENTS

D722,665	S *	2/2015	Norman	D21/765
D723,123	S *	2/2015	Norman	D21/765
D723,642	S *	3/2015	Fissell	D21/765
D724,166	S *	3/2015	Hamborg	D21/765
D725,733	S *	3/2015	Norman	D21/765
D728,048	S *	4/2015	Stover	D21/765
D733,241	S *	6/2015	Fissell	D21/765
D745,617	S *	12/2015	Jensen	D21/765
D751,160	S *	3/2016	Tian	D21/765
D761,927	S *	7/2016	Belcher	D21/765
9,403,081	B2 *	8/2016	Rawlins	A63C 17/0093
D770,585	S *	11/2016	Desberg	D21/765
9,504,901	B1 *	11/2016	Lu	A63C 17/017
D784,470	S *	4/2017	Kesselman	D21/765
9,675,868	B2 *	6/2017	Willis	A63C 17/017
D797,227	S *	9/2017	Treadway	D21/765
D798,407	S *	9/2017	Pang	D21/765
D815,226	S *	4/2018	Treadway	D21/765
D817,427	S *	5/2018	Pang	D21/765
D818,068	S *	5/2018	Southard	D21/760
D818,069	S *	5/2018	Torres	D21/765
D818,070	S *	5/2018	Pang	D21/765
D820,157	S *	6/2018	Chen	D12/1
D824,464	S *	7/2018	Garner	D21/765
D825,014	S *	8/2018	Giang	D21/765

* cited by examiner

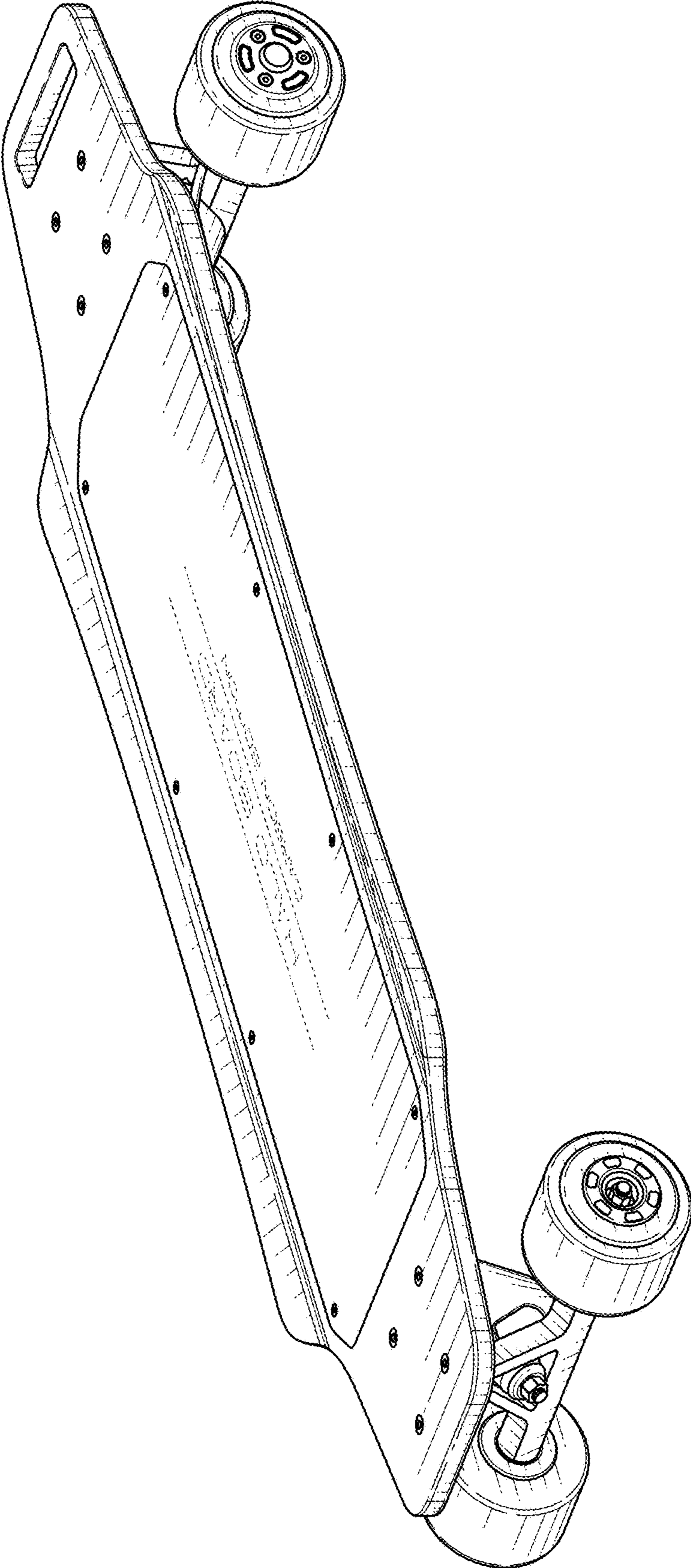


FIG. 1

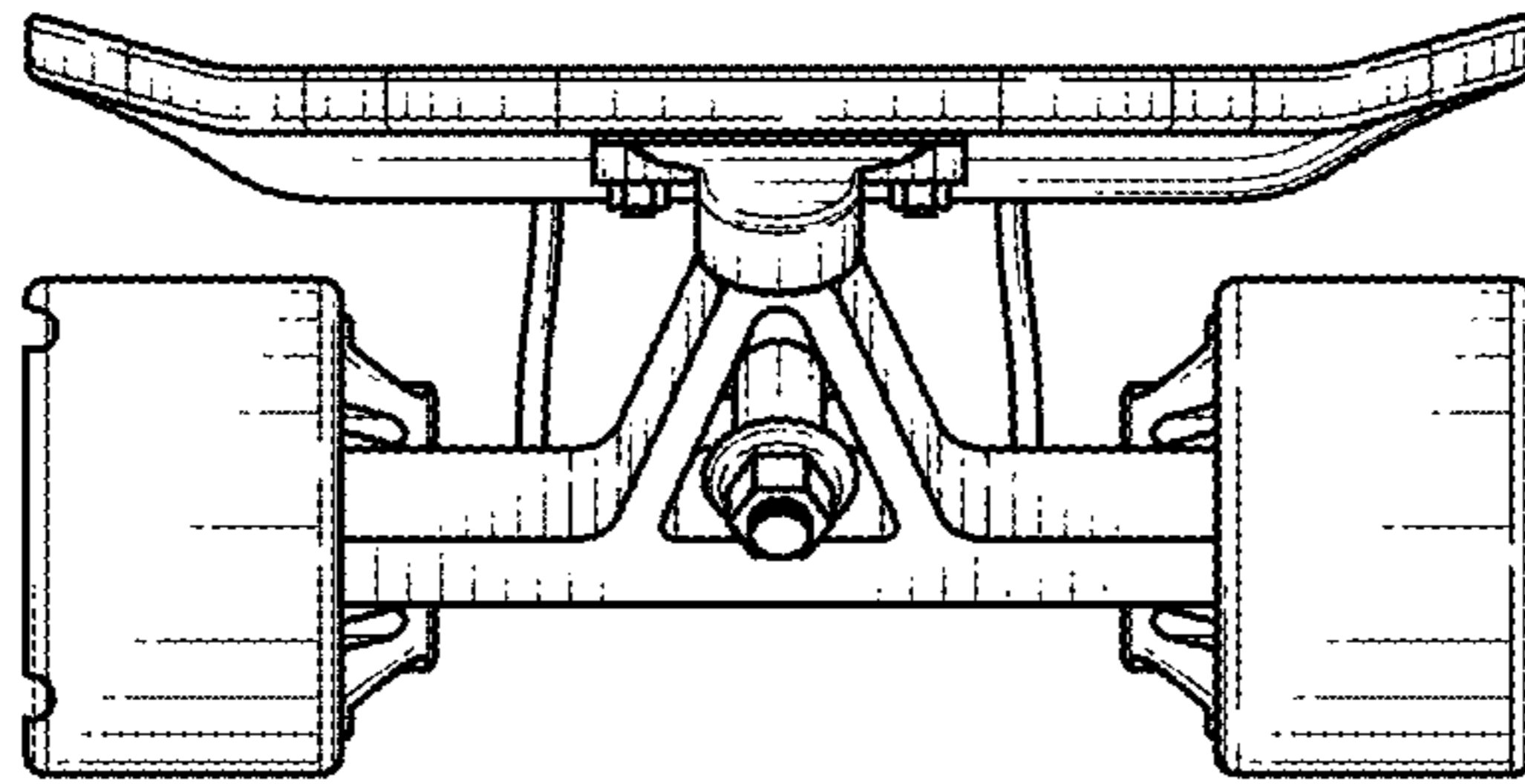


FIG. 2

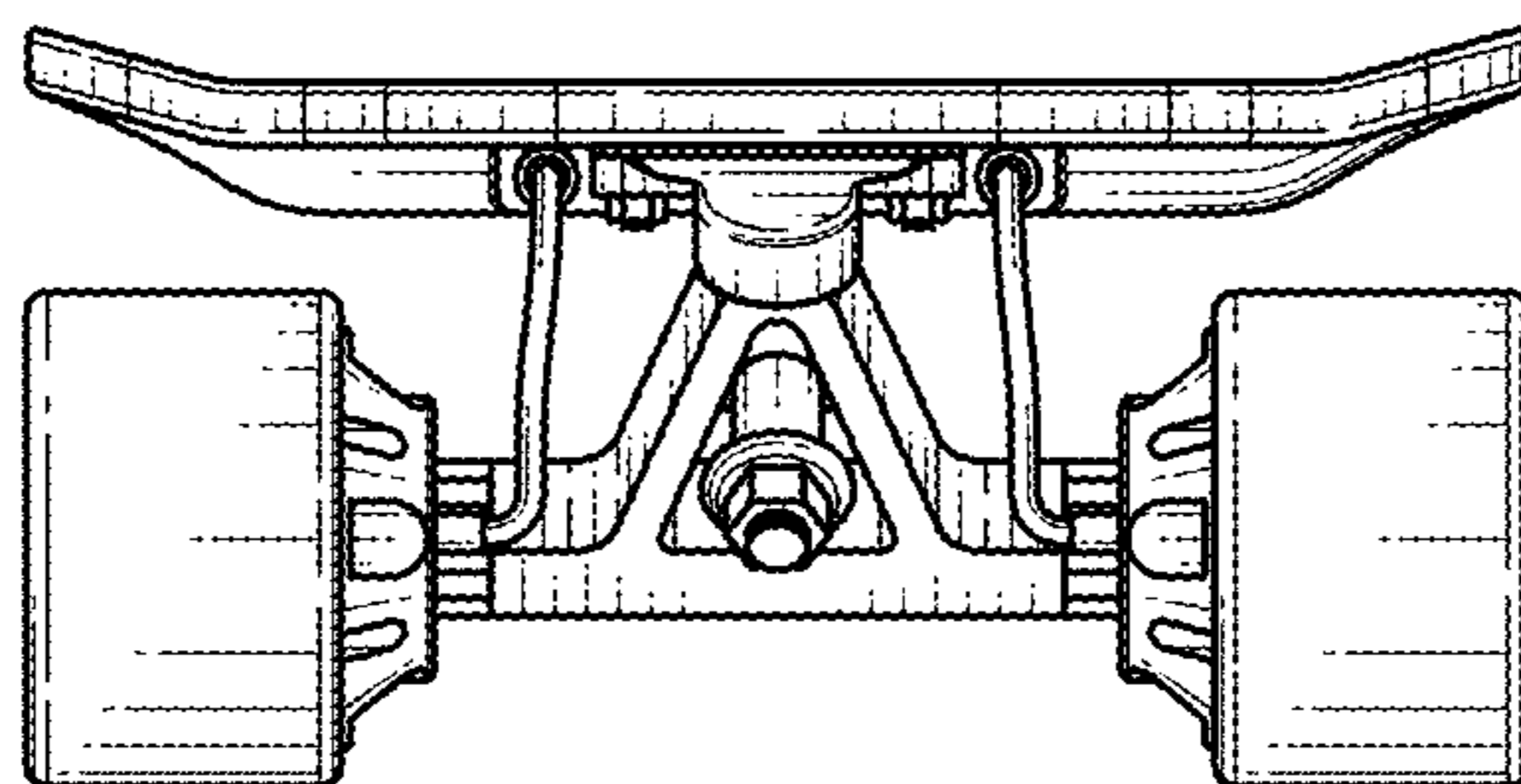


FIG. 3

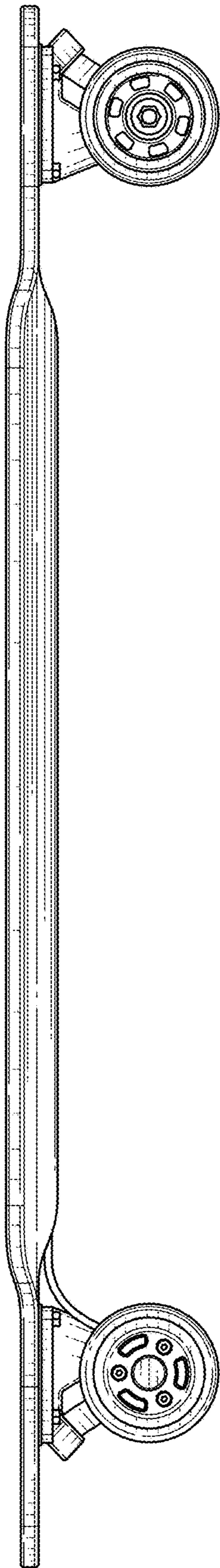


FIG. 4

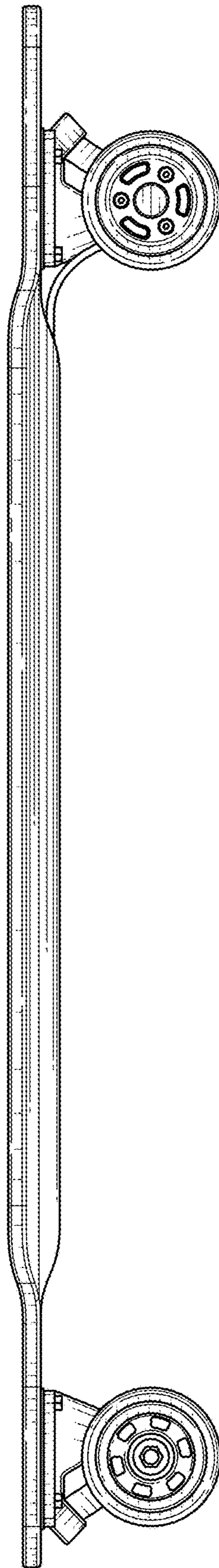


FIG. 5

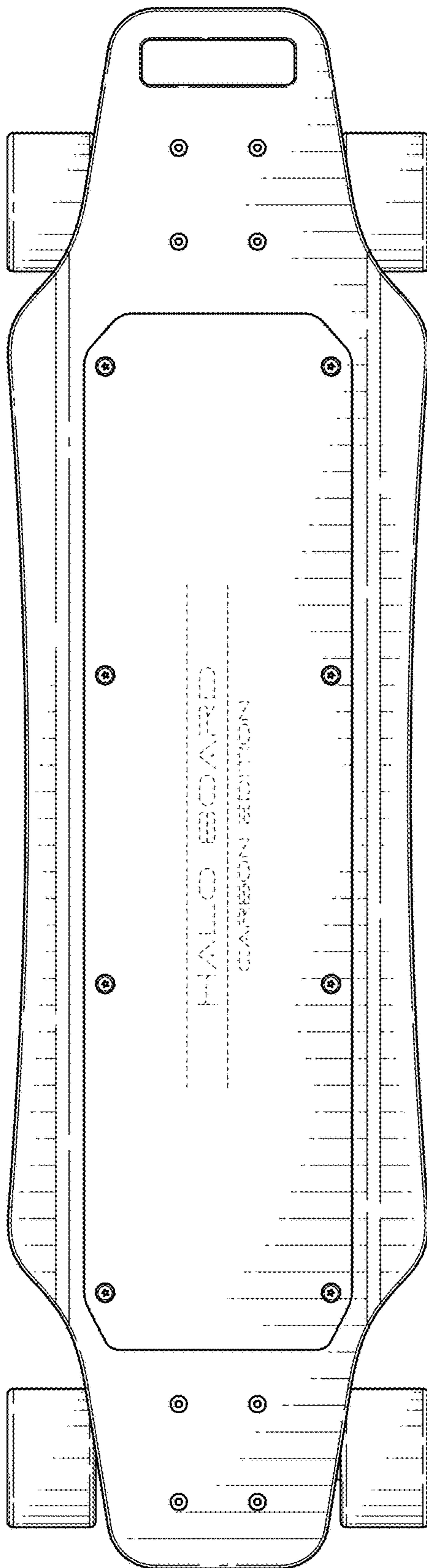


FIG. 6

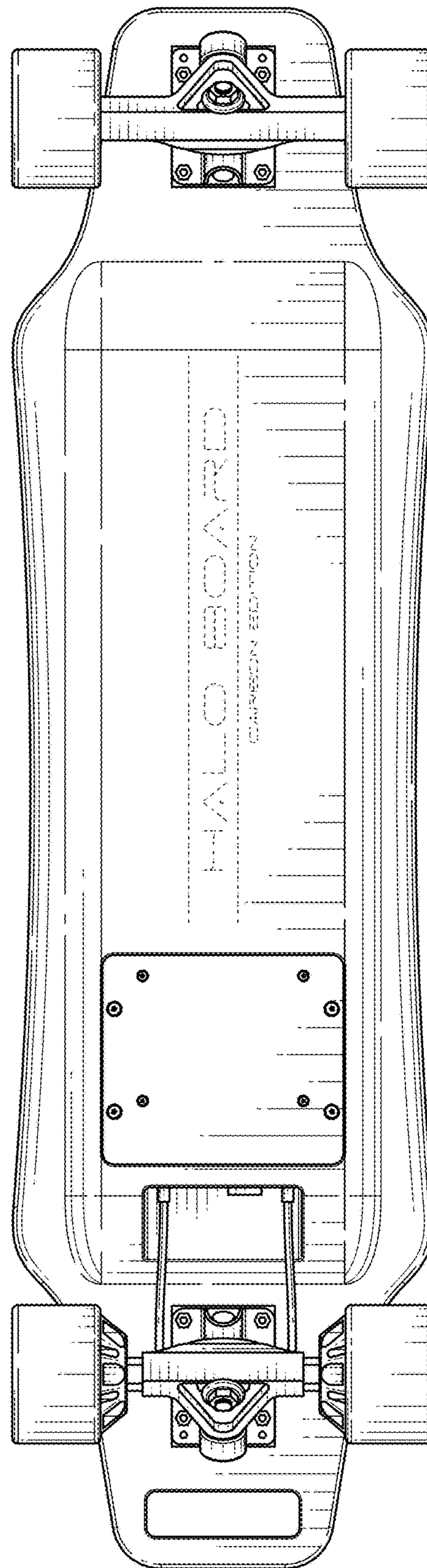


FIG. 7