



US00D831767S

(12) **United States Design Patent** (10) **Patent No.:** **US D831,767 S**
Fraise et al. (45) **Date of Patent:** **** Oct. 23, 2018**

(54) **COMBINED RIDING AND SLIDING SPORTS APPARATUS**

(71) Applicants: **Aymeric Rlph Henri Fraise**, Shanghai (CN); **David Wayne Dieter**, San Diego, CA (US); **Scott Christopher Stefan**, Fort Pierce, FL (US)

(72) Inventors: **Aymeric Rlph Henri Fraise**, Shanghai (CN); **David Wayne Dieter**, San Diego, CA (US); **Scott Christopher Stefan**, Fort Pierce, FL (US)

(73) Assignee: **Flipsled Limited**, Wanchai (CN)

(**) Term: **15 Years**

(21) Appl. No.: **29/595,824**

(22) Filed: **Mar. 2, 2017**

(51) **LOC (11) Cl.** **21-02**

(52) **U.S. Cl.**
USPC **D21/760**; D12/6

(58) **Field of Classification Search**
USPC D21/419, 426, 760, 763; D12/6, 11
CPC B62B 13/18; B62B 15/008; B62B 15/009;
B62B 19/00; B62B 19/02; B62B 19/04;
A63C 17/004; A63C 2203/06
See application file for complete search history.

(56) **References Cited**

U.S. PATENT DOCUMENTS

2,063,627 A 12/1936 Ruf
D117,554 S * 11/1939 Bojesen D21/561
2,467,932 A 4/1949 Foulke
2,633,365 A 3/1953 Cwynar
3,273,908 A 9/1966 Geiser, Jr.
D219,463 S * 12/1970 Diamond et al. D12/11
3,870,334 A * 3/1975 Cole B62M 1/16
188/20
D302,958 S * 8/1989 Shippee D12/6

D322,770 S * 12/1991 Helms D12/6
5,141,241 A * 8/1992 Avila B62B 3/10
188/19
D333,899 S * 3/1993 Caceres D34/12
D347,407 S * 5/1994 Dowell D12/6
D380,705 S * 7/1997 Fenton D12/11
D393,233 S 4/1998 Emanuel
5,810,376 A * 9/1998 Matheny A63C 17/004
280/87.021

(Continued)

Primary Examiner — Cynthia M. Chin

(74) *Attorney, Agent, or Firm* — Keeley DeAngelo LLP

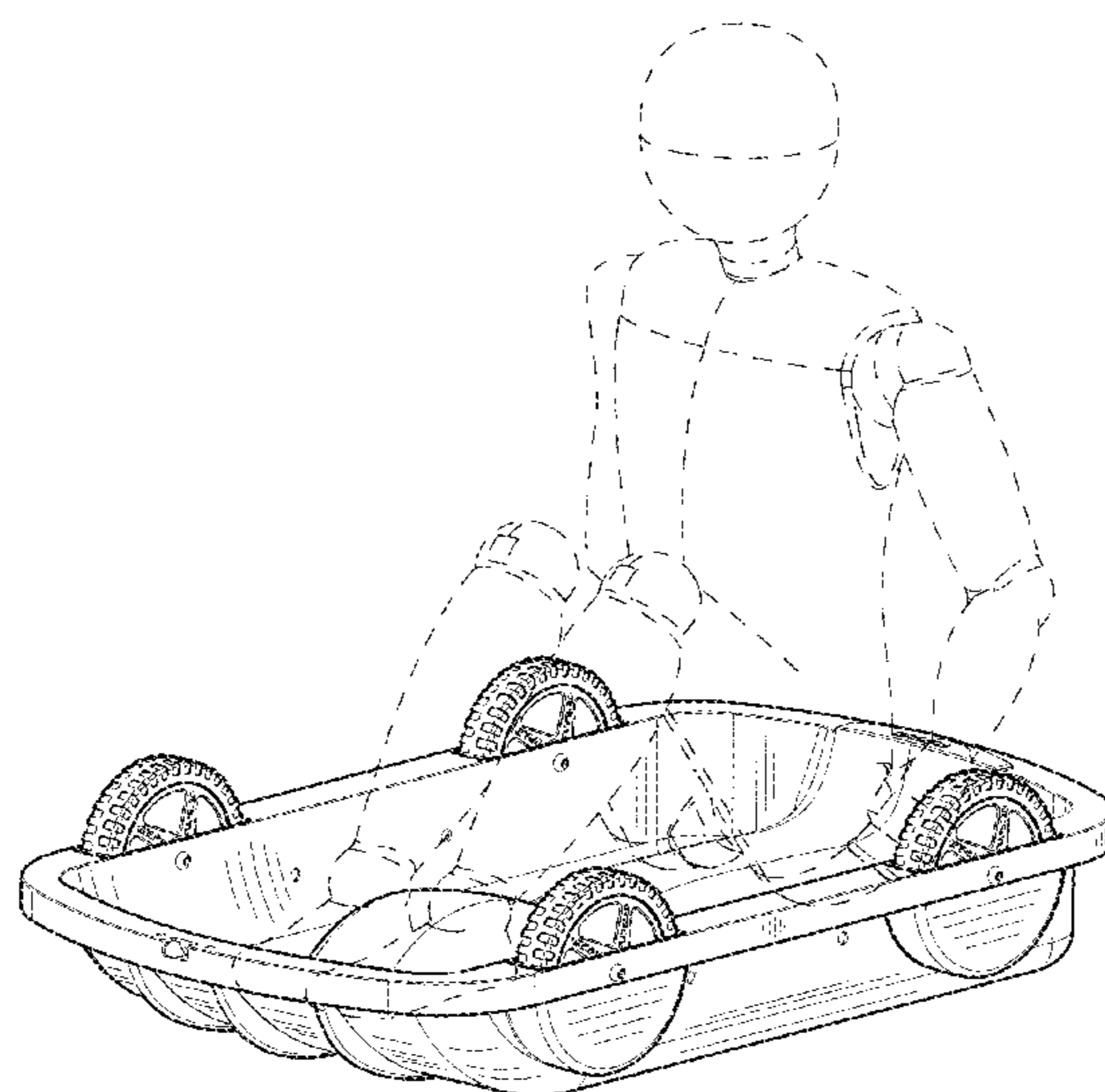
(57) **CLAIM**

The ornamental design for a combined riding and sliding sports apparatus, as shown and described.

DESCRIPTION

FIG. 1 is a front right perspective view of a combined riding and sliding sports apparatus;
FIG. 2 is a rear right perspective view of a combined riding and sliding sports apparatus;
FIG. 3 is a front plan view in elevation of the combined riding and sliding sports apparatus of FIGS. 1 and 2;
FIG. 4 is a side view in elevation of the combined riding and sliding sports apparatus of FIGS. 1 and 2 as seen from the right-hand side thereof;
FIG. 5 is a rear view in elevation of the combined riding and sliding sports apparatus of FIGS. 1 and 2;
FIG. 6 is a side view in elevation of the combined riding and sliding sports apparatus of FIGS. 1 and 2 as seen from the left-hand side thereof;
FIG. 7 is a top plan view of the combined riding and sliding sports apparatus of FIGS. 1 and 2; and,
FIG. 8 is a bottom plan view of the combined riding and sliding sports apparatus of FIGS. 1 and 2.
The portions shown in broken lines represent the article in use and forms no part of the claimed design.

1 Claim, 8 Drawing Sheets



(56)

References Cited

U.S. PATENT DOCUMENTS

6,824,148	B1 *	11/2004	Key	B62B 19/02 280/13
6,926,293	B1	8/2005	Pope	
7,021,636	B1	4/2006	Berliner	
7,201,386	B2	4/2007	Walker, IV	
7,419,167	B1 *	9/2008	Nguyen	B62B 13/18 280/10
D594,622	S	6/2009	Kissun	
D630,550	S *	1/2011	Kleinsasser	D12/6
2006/0082080	A1 *	4/2006	Gulseth	B62B 13/18 280/7.12
2007/0296167	A1	12/2007	Beswick et al.	
2014/0131963	A1 *	5/2014	Bengtzen	A45B 23/00 280/32

* cited by examiner

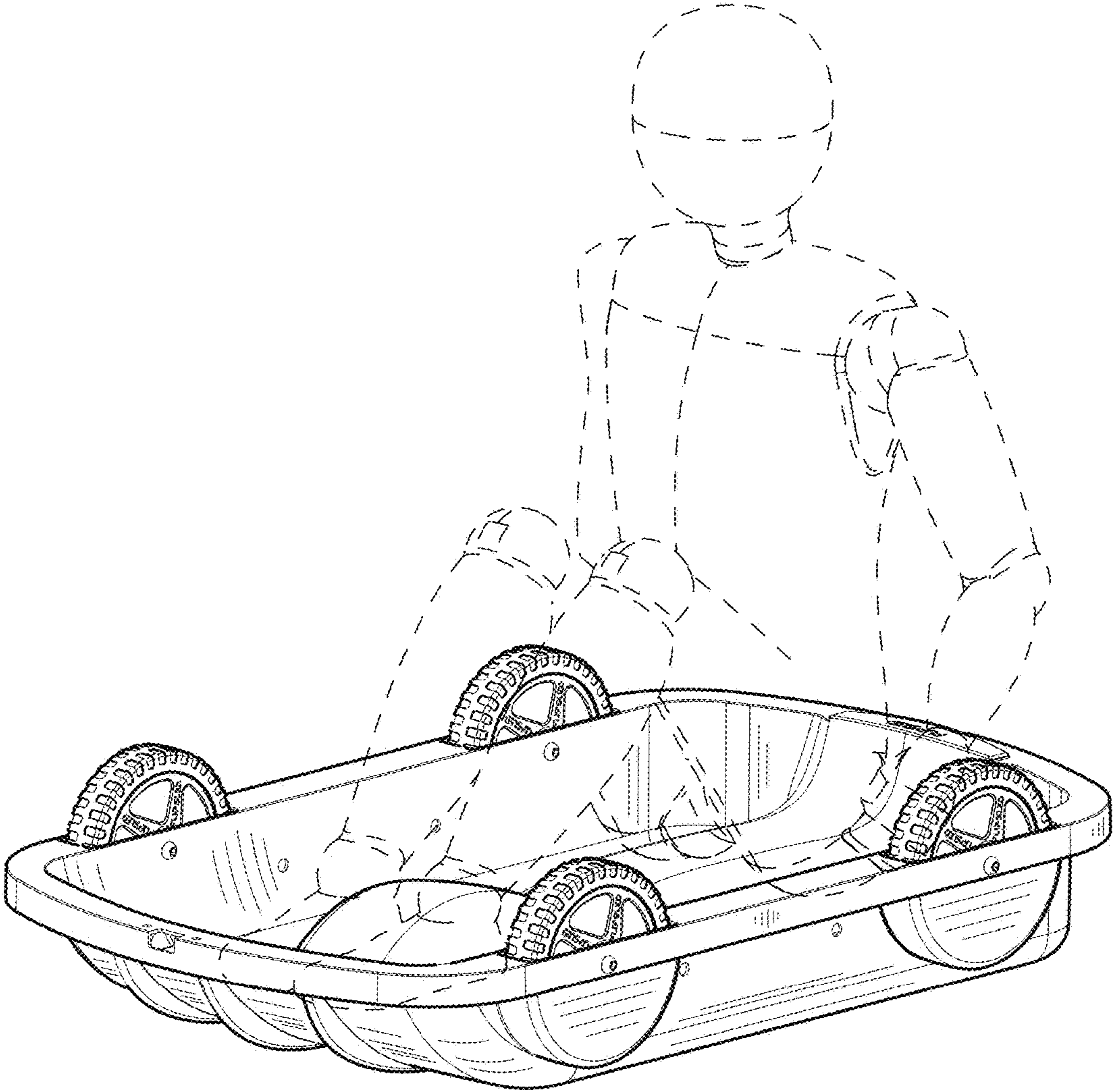


Figure 1

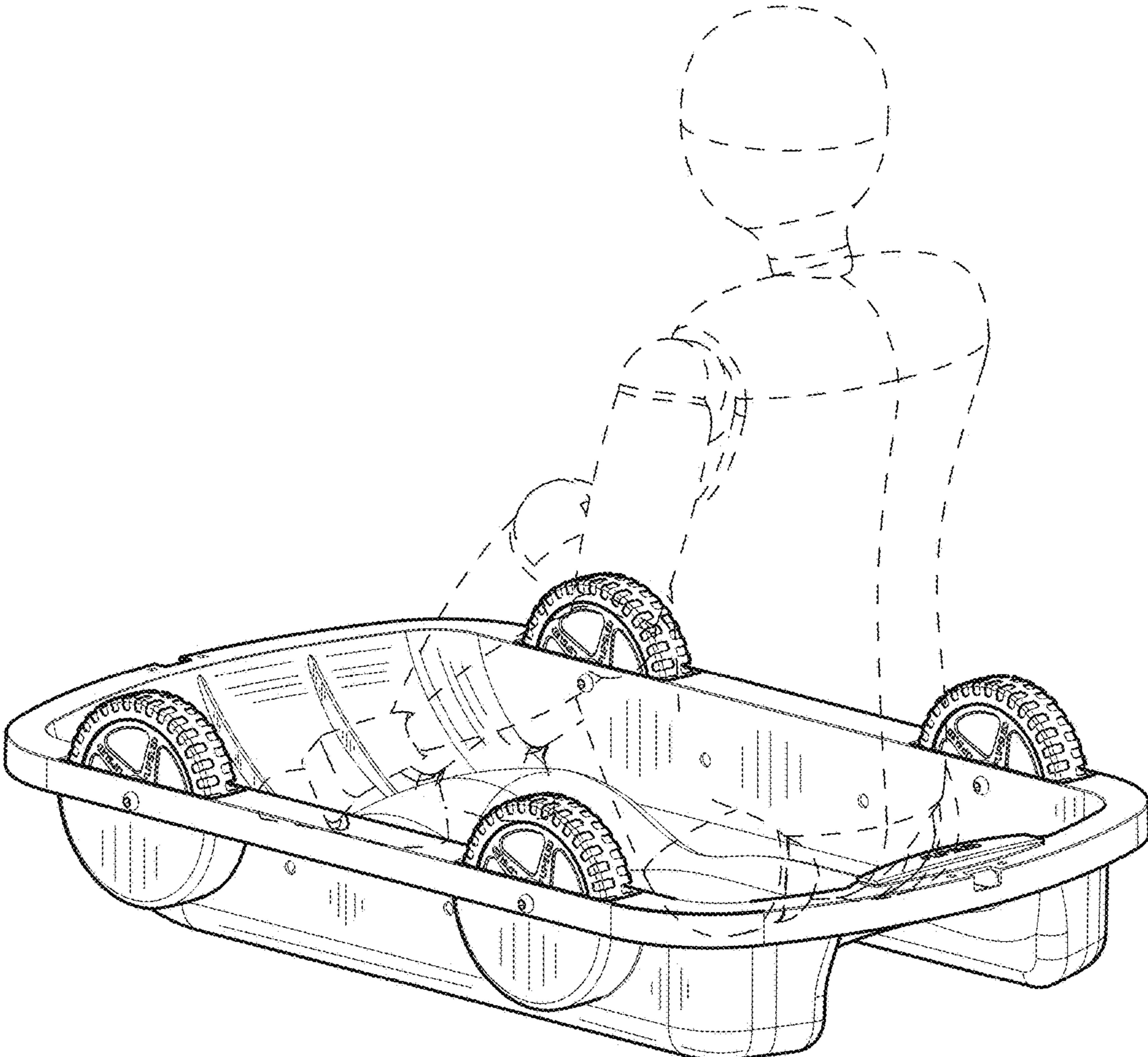


Figure 2

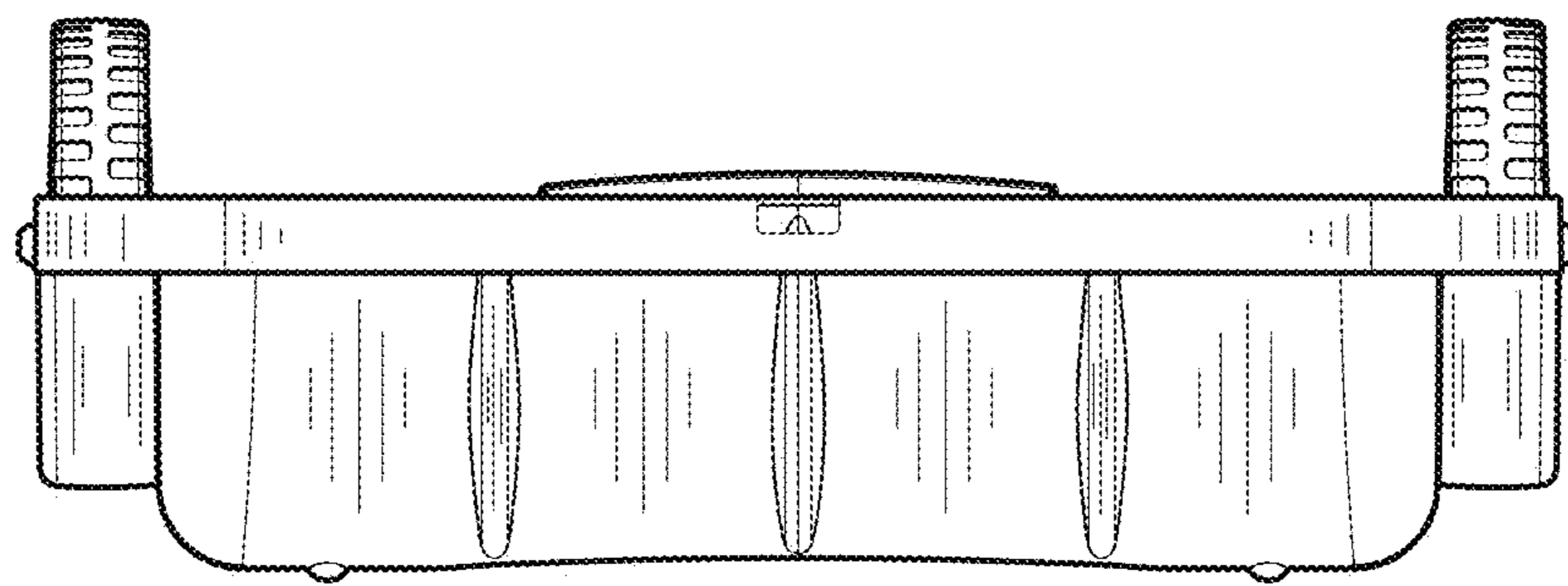


Figure 3

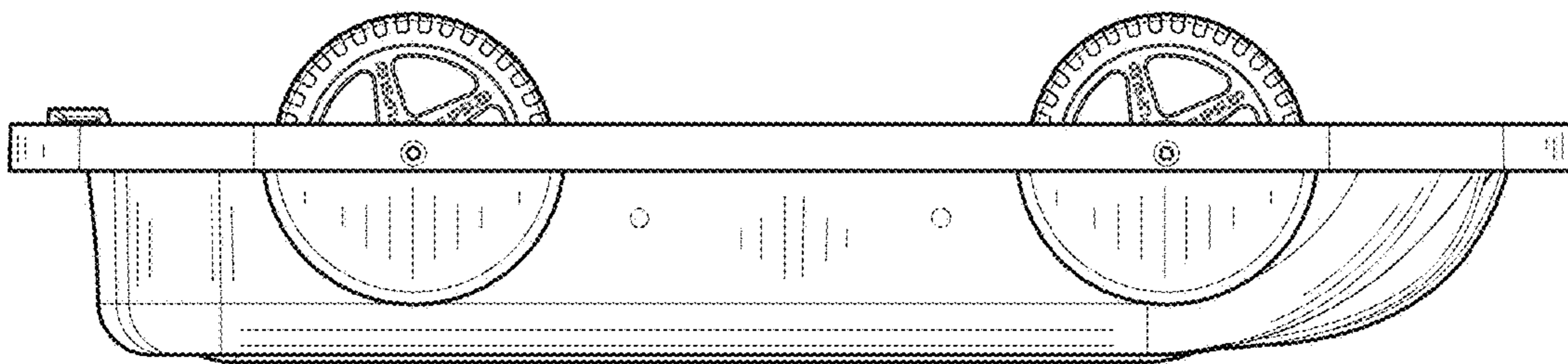


Figure 4

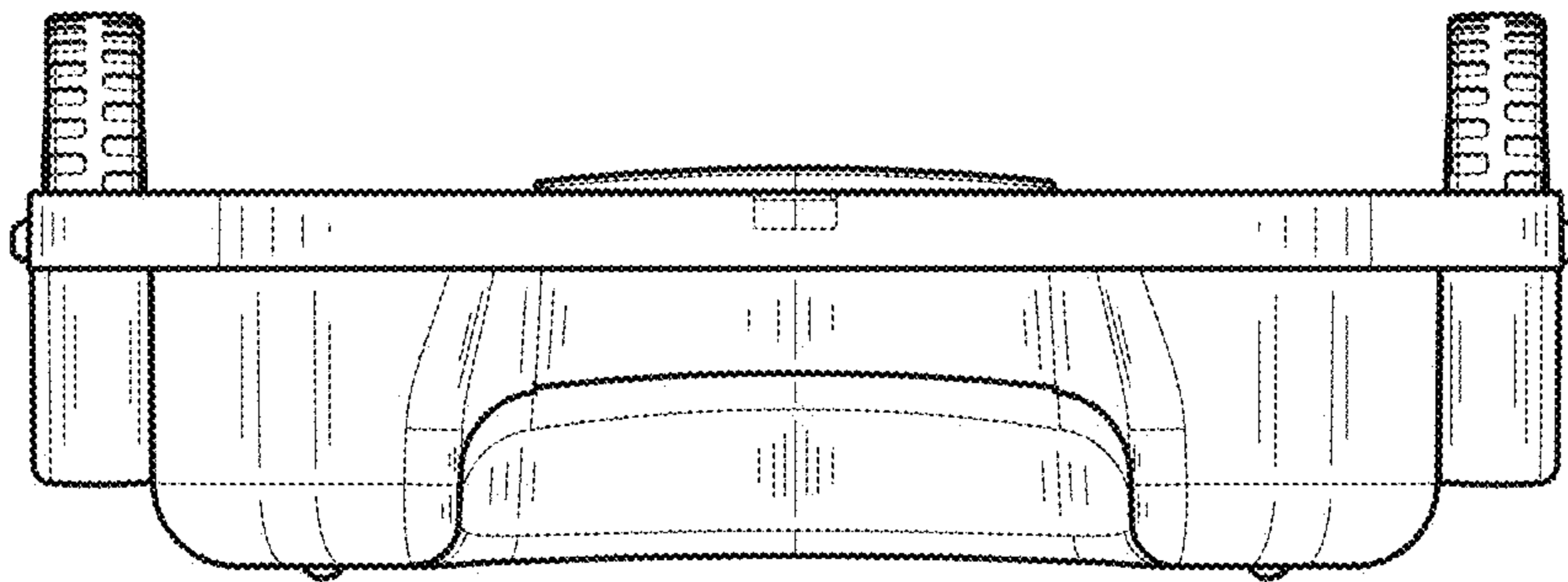


Figure 5

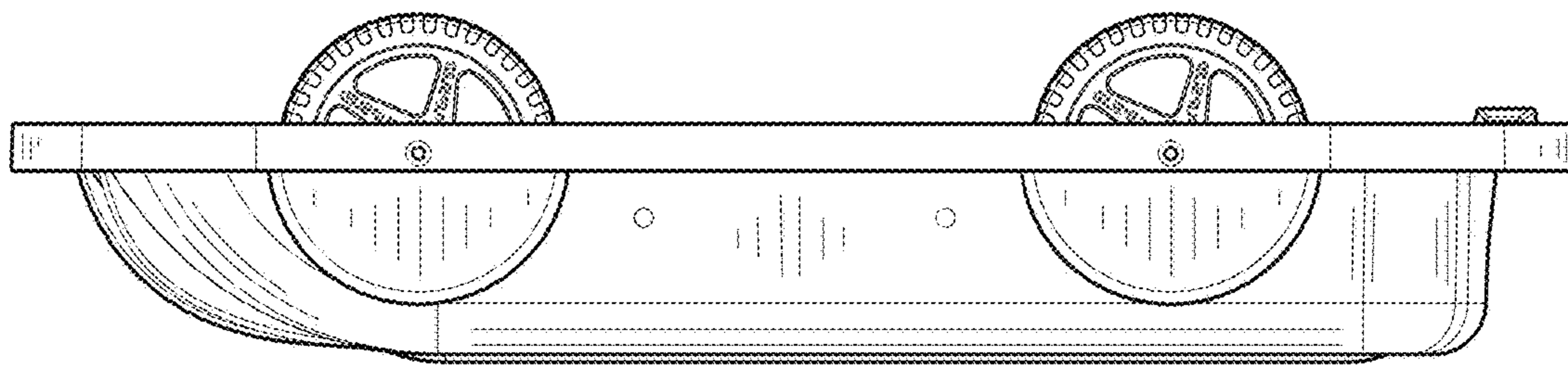


Figure 6

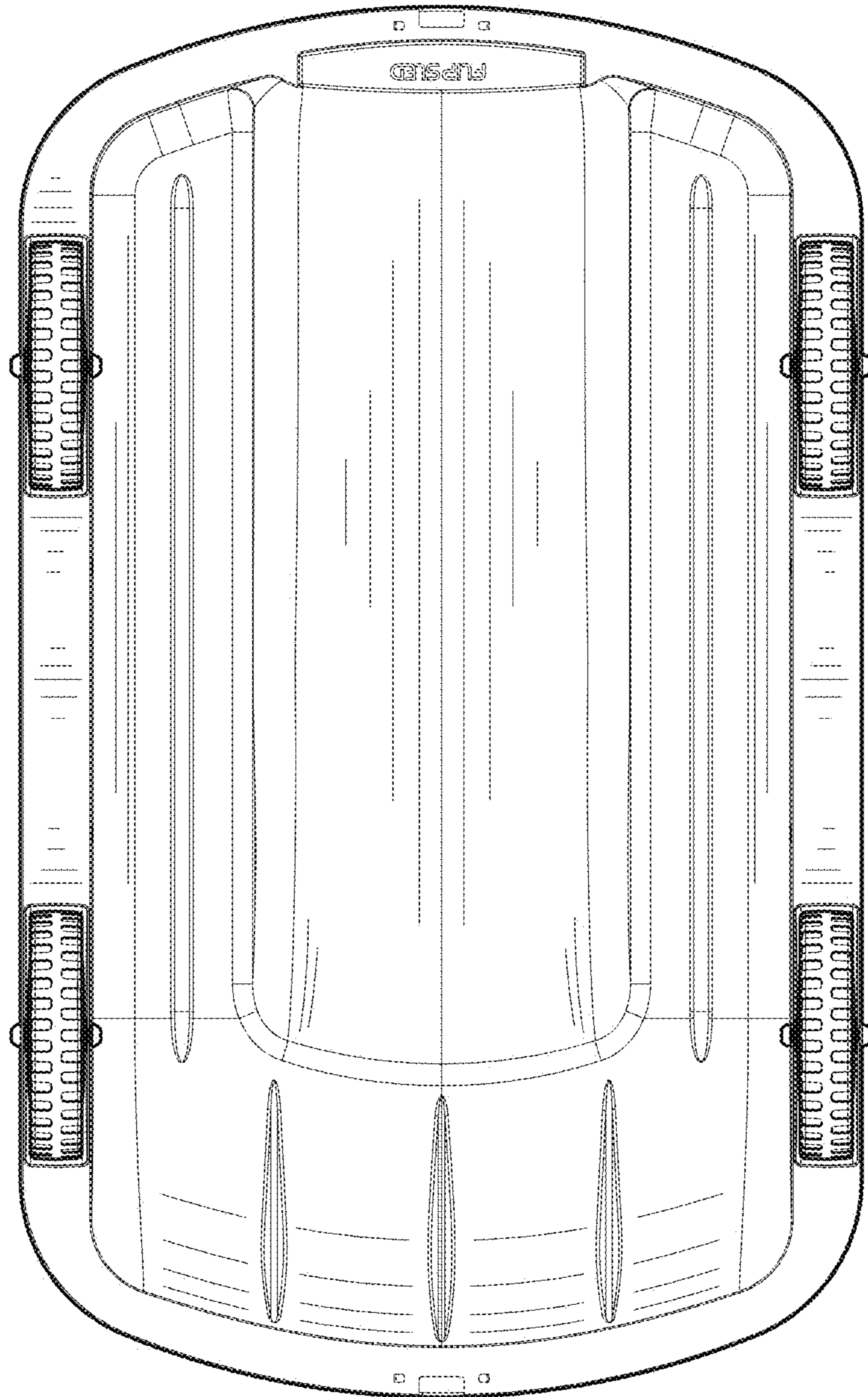


Figure 7

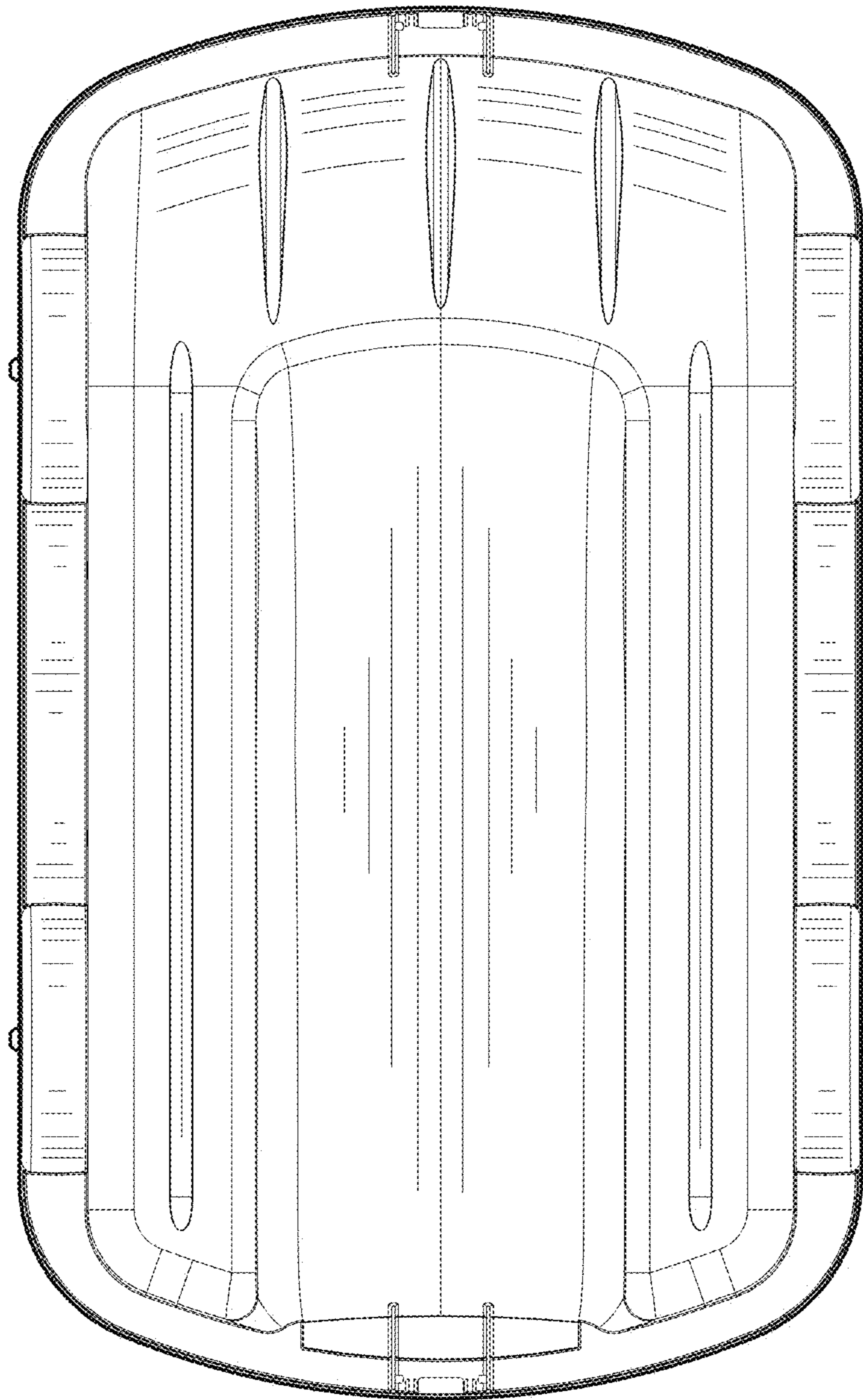


Figure 8