



US00D831766S

(12) **United States Design Patent**  
**Schweigert**

(10) **Patent No.:** **US D831,766 S**  
(45) **Date of Patent:** **\*\* Oct. 23, 2018**

(54) **GOLD CLUB HEAD**

(71) Applicant: **PARSONS XTREME GOLF, LLC**,  
Scottsdale, AZ (US)

(72) Inventor: **Bradley D. Schweigert**, Anthem, AZ  
(US)

(73) Assignee: **PARSONS XTREME GOLF, LLC**,  
Scottsdale, AZ (US)

(\*\*) Term: **15 Years**

(21) Appl. No.: **29/609,415**

(22) Filed: **Jun. 30, 2017**

**Related U.S. Application Data**

(63) Continuation-in-part of application No. 29/604,609,  
filed on May 18, 2017.

(51) **LOC (11) Cl.** ..... **21-02**

(52) **U.S. Cl.**  
USPC ..... **D21/743**

(58) **Field of Classification Search**  
USPC ..... D21/736-746, 759  
CPC ..... A63B 53/00; A63B 53/04; A63B 53/007;  
A63B 53/065; A63B 53/0487; A63B  
60/00; A63B 60/46

See application file for complete search history.

(56) **References Cited**

**U.S. PATENT DOCUMENTS**

922,444 A	5/1909	Youds
RE19,178 E	5/1934	Spiker
4,043,562 A	6/1977	Shillington
4,754,977 A	7/1988	Sahm
4,869,507 A	9/1989	Sahm
D335,317 S	5/1993	Shearer
D335,692 S	5/1993	Antonious

(Continued)

**FOREIGN PATENT DOCUMENTS**

JP 2005/160691 A 6/2005

**OTHER PUBLICATIONS**

U.S. Appl. No. 29/523,587, Schweigert, "Golf Club Head," filed  
Apr. 10, 2015.

(Continued)

*Primary Examiner* — Mitchell I. Siegel

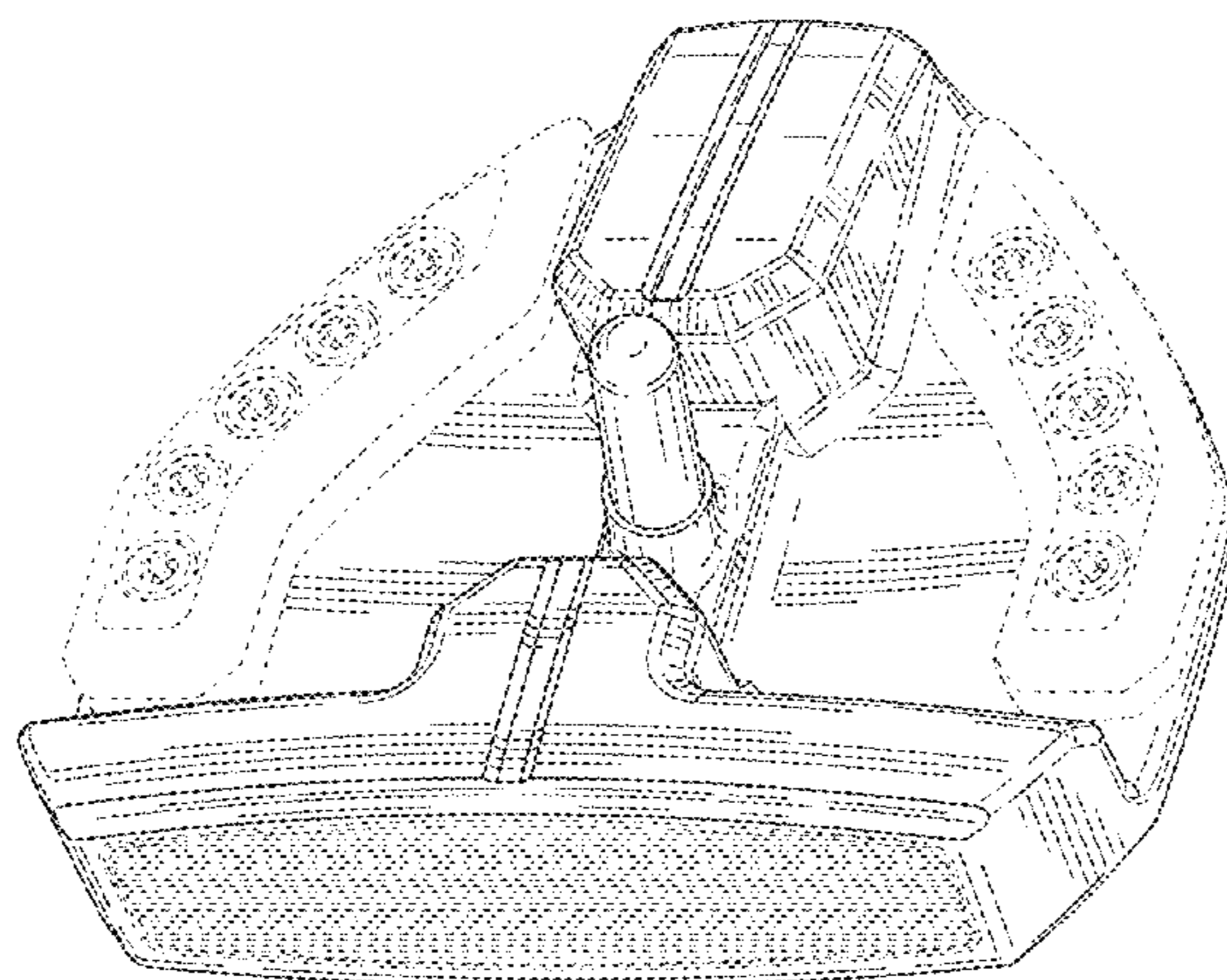
(57) **CLAIM**

The ornamental design for a golf club head, as shown and  
described.

**DESCRIPTION**

FIG. 1 is a top perspective view of a golf club head;  
FIG. 2 is a bottom perspective view of the golf club head of  
FIG. 1;  
FIG. 3 is a front elevational view of the golf club head of  
FIG. 1;  
FIG. 4 is a rear elevational view of the golf club head of FIG.  
1;  
FIG. 5 is a top view of the golf club head of FIG. 1;  
FIG. 6 is a bottom view of the golf club head of FIG. 1;  
FIG. 7 is a left side view of the golf club head of FIG. 1;  
FIG. 8 is a right side view of the golf club head of FIG. 1;  
FIG. 9 is a top perspective view of a second embodiment of  
a golf club head;  
FIG. 10 is a bottom perspective view of the golf club head  
of FIG. 9;  
FIG. 11 is a front elevational view of the golf club head of  
FIG. 9;  
FIG. 12 is a rear elevational view of the golf club head of  
FIG. 9;  
FIG. 13 is a top view of the golf club head of FIG. 9;  
FIG. 14 is a bottom view of the golf club head of FIG. 9;  
FIG. 15 is a left side view of the golf club head of FIG. 9;  
and,  
FIG. 16 is a right side view of the golf club head of FIG. 9.  
The broken lines are included for the purpose of illustration  
only. None of the broken lines forms part of the claimed  
design.

**1 Claim, 12 Drawing Sheets**



(56)

References Cited

U.S. PATENT DOCUMENTS

D336,757 S 6/1993 Antonious  
 D350,582 S 9/1994 Miansian et al.  
 5,429,366 A 7/1995 McCabe  
 D363,101 S 10/1995 Sturm  
 D365,864 S 1/1996 Sturm  
 5,489,097 A 2/1996 Simmons  
 D368,751 S 4/1996 Rife  
 D369,393 S 4/1996 Takahashi et al.  
 5,571,053 A 11/1996 Lane  
 D378,688 S 4/1997 Cameron  
 D385,609 S 10/1997 Cameron  
 5,683,307 A 11/1997 Rife  
 5,685,784 A \* 11/1997 Butler ..... A63B 53/0487  
 473/255  
 D388,143 S 12/1997 Huan-Chiang  
 D389,207 S 1/1998 Cameron  
 D396,685 S 9/1998 Masuda  
 D399,290 S 10/1998 Sizemore, Jr.  
 D399,911 S 10/1998 Nicolette et al.  
 5,839,974 A 11/1998 McAllister  
 D405,836 S 2/1999 Nicolette et al.  
 D409,701 S 5/1999 Ashcraft et al.  
 5,924,938 A 7/1999 Hines  
 D422,655 S 4/2000 Hicks  
 D426,276 S 6/2000 Besnard et al.  
 D431,854 S 10/2000 Cameron  
 D432,192 S 10/2000 Hicks  
 D436,151 S 1/2001 Nicolette et al.  
 D437,374 S 2/2001 Cameron  
 D441,820 S 5/2001 Nicolette et al.  
 D443,668 S 6/2001 Nicolette et al.  
 D443,905 S 6/2001 Nicolette et al.  
 D444,833 S 7/2001 Wells et al.  
 6,264,571 B1 7/2001 Lekavich  
 D449,664 S 10/2001 Beebe et al.  
 D449,865 S 10/2001 Fife, Jr. et al.  
 D450,799 S 11/2001 Nicolette et al.  
 D451,973 S 12/2001 Wells et al.  
 6,348,014 B1 2/2002 Chiu  
 6,354,959 B1 3/2002 Nicolette et al.  
 6,394,910 B1 5/2002 McCarthy  
 D472,949 S 4/2003 Serrano  
 D474,821 S 5/2003 Wells et al.  
 D474,949 S 5/2003 Schaffeld et al.  
 D483,086 S 12/2003 Schweigert et al.  
 D486,872 S 2/2004 Schweigert et al.  
 D488,200 S 4/2004 Olsavsky  
 D498,276 S 11/2004 Schweigert et al.  
 6,902,496 B2 6/2005 Solheim et al.  
 D512,116 S 11/2005 Mirafflor et al.  
 6,988,956 B2 1/2006 Cover et al.  
 D520,088 S 5/2006 Parr  
 D531,242 S 10/2006 Adams  
 D532,067 S 11/2006 Soracco et al.  
 7,153,220 B2 12/2006 Lo  
 D534,595 S 1/2007 Hasebe  
 7,156,752 B1 1/2007 Bennett  
 D536,401 S 2/2007 Kawami  
 D536,403 S 2/2007 Kawami  
 D538,371 S 3/2007 Kawami  
 7,204,765 B2 4/2007 Cover et al.  
 D542,869 S 5/2007 Adams  
 D543,598 S 5/2007 Kuan et al.  
 D543,601 S 5/2007 Kawami  
 D555,219 S 11/2007 Lin  
 D556,277 S 11/2007 Broom  
 D561,854 S 2/2008 Morris  
 7,331,876 B2 2/2008 Klein  
 7,351,162 B2 4/2008 Soracco et al.  
 D569,461 S 5/2008 Morris  
 D569,930 S 5/2008 Nehrbas  
 7,396,289 B2 7/2008 Soracco et al.  
 D577,085 S 9/2008 Nicolette et al.  
 D577,086 S 9/2008 Nicolette et al.  
 D579,506 S 10/2008 Nicolette et al.

D579,995 S 11/2008 Nicolette et al.  
 D582,497 S 12/2008 Rollinson  
 7,473,189 B2 1/2009 Schweigert et al.  
 7,491,131 B2 \* 2/2009 Vinton ..... A63B 53/0487  
 473/251  
 D595,793 S 7/2009 Rollinson  
 D599,425 S 9/2009 Laub  
 D600,763 S 9/2009 Cameron  
 7,744,485 B2 6/2010 Jones et al.  
 D620,993 S 8/2010 Laub  
 D621,461 S 8/2010 Serrano  
 D623,709 S 9/2010 Serrano et al.  
 D631,925 S 2/2011 Broom  
 7,887,432 B2 2/2011 Jones et al.  
 7,909,707 B2 3/2011 Klein  
 7,918,745 B2 4/2011 Morris et al.  
 D636,891 S 5/2011 Nicolette et al.  
 D642,643 S 8/2011 Nicolette et al.  
 D643,485 S 8/2011 Nicolette et al.  
 D645,104 S 9/2011 Nicolette et al.  
 8,096,039 B2 1/2012 Soracco et al.  
 D653,718 S 2/2012 Stokke et al.  
 D661,753 S 6/2012 Cameron et al.  
 D666,260 S 8/2012 Cynn  
 8,376,878 B2 2/2013 Bennett et al.  
 D688,341 S 6/2013 Rollinson  
 D688,339 S 8/2013 Hilton et al.  
 D691,226 S 10/2013 Hilton et al.  
 D699,308 S 2/2014 Rollinson  
 D704,782 S 5/2014 Rollinson  
 8,721,472 B2 5/2014 Kuan et al.  
 8,790,193 B2 7/2014 Serrano et al.  
 D711,483 S 8/2014 Wong  
 D715,388 S 10/2014 Serrano  
 D722,350 S 2/2015 Schweigert  
 D722,351 S \* 2/2015 Parsons ..... D21/736  
 D722,352 S 2/2015 Nicolette et al.  
 D723,120 S 2/2015 Nicolette  
 D724,164 S 3/2015 Schweigert et al.  
 D725,208 S \* 3/2015 Schweigert ..... D21/743  
 D726,265 S 4/2015 Nicolette  
 D726,846 S \* 4/2015 Schweigert ..... D21/743  
 D730,462 S 5/2015 Becktor  
 D732,122 S 6/2015 Becktor  
 D732,618 S 6/2015 Becktor  
 D733,234 S 6/2015 Nicolette  
 D738,447 S 9/2015 Schweigert  
 D738,449 S \* 9/2015 Schweigert ..... D21/759  
 D739,487 S 9/2015 Schweigert  
 D741,426 S 10/2015 Schweigert  
 D748,213 S \* 1/2016 Parsons ..... D21/742  
 D748,215 S \* 1/2016 Parsons ..... D21/759  
 9,233,263 B2 1/2016 Schweigert  
 D750,186 S \* 2/2016 Schweigert ..... D21/746  
 D753,252 S \* 4/2016 Schweigert ..... D21/759  
 9,440,124 B2 9/2016 Parsons et al.  
 D783,101 S \* 4/2017 Schweigert ..... D21/736  
 D796,604 S \* 9/2017 Serrano ..... D21/744  
 D801,458 S \* 10/2017 Rollinson ..... D21/742  
 9,895,585 B2 \* 2/2018 Kroloff ..... A63B 53/0487  
 D815,703 S \* 4/2018 Schweigert ..... D21/736  
 2007/0142122 A1 6/2007 Bonneau  
 2007/0207875 A1 9/2007 Kuan et al.  
 2007/0238548 A1 10/2007 Johnson  
 2008/0139333 A1 6/2008 Klein  
 2008/0146372 A1 6/2008 John  
 2008/0176672 A1 7/2008 Roach et al.  
 2011/0165959 A1 7/2011 Klein  
 2013/0165256 A1 6/2013 Stevenson  
 2013/0210537 A1 8/2013 Ainscough et al.

OTHER PUBLICATIONS

TourSpecGolf (Gold's Factory Multi Weighted Custom Putter) [online]. Nov. 20, 2010 [retrieved Apr. 21, 2016]. Retrieved from the internet: <URL: <http://www.toursecgolf.com/blog/golds-factory-multi-weighted-custom-putter/>>.

\* cited by examiner

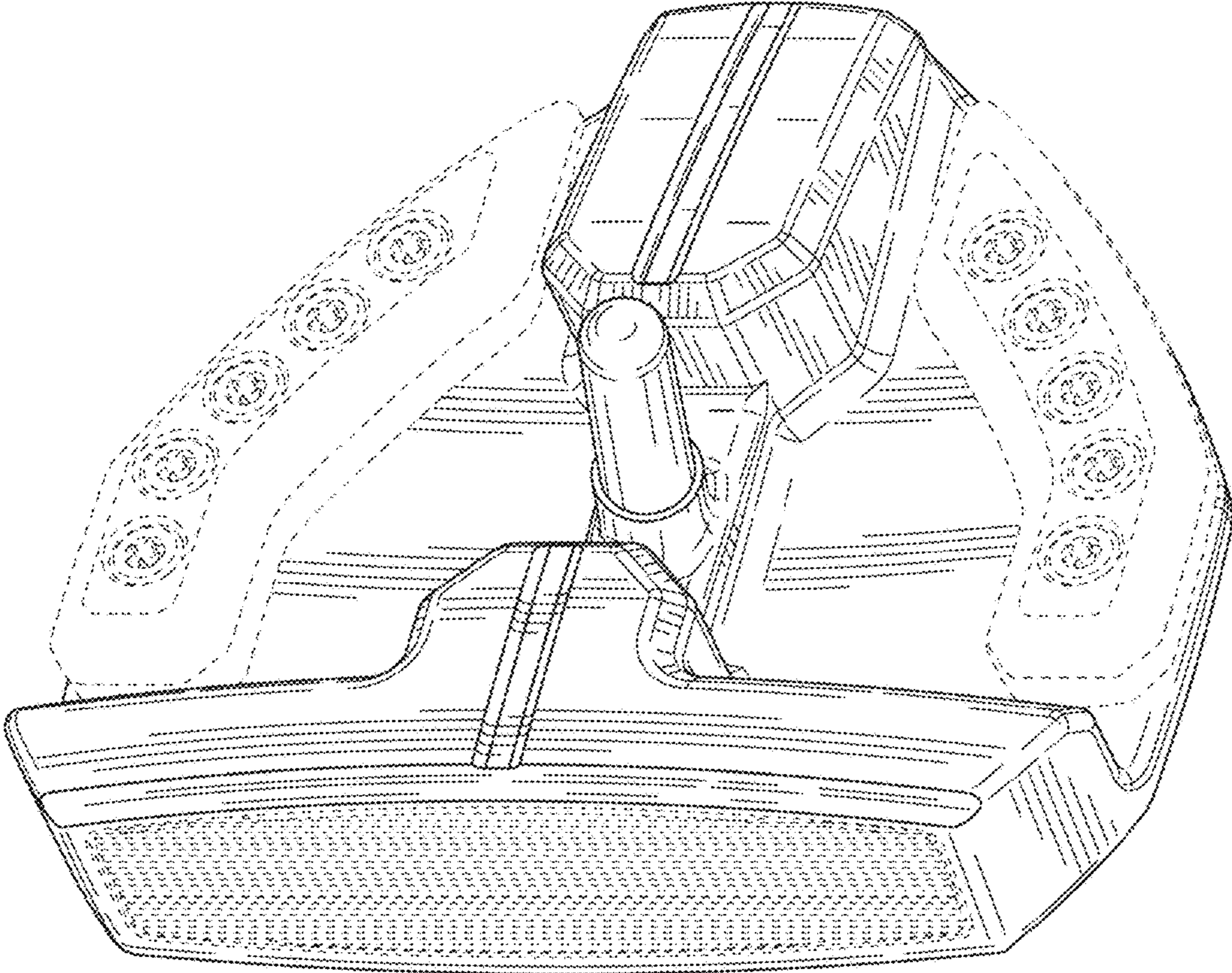


FIG. 1

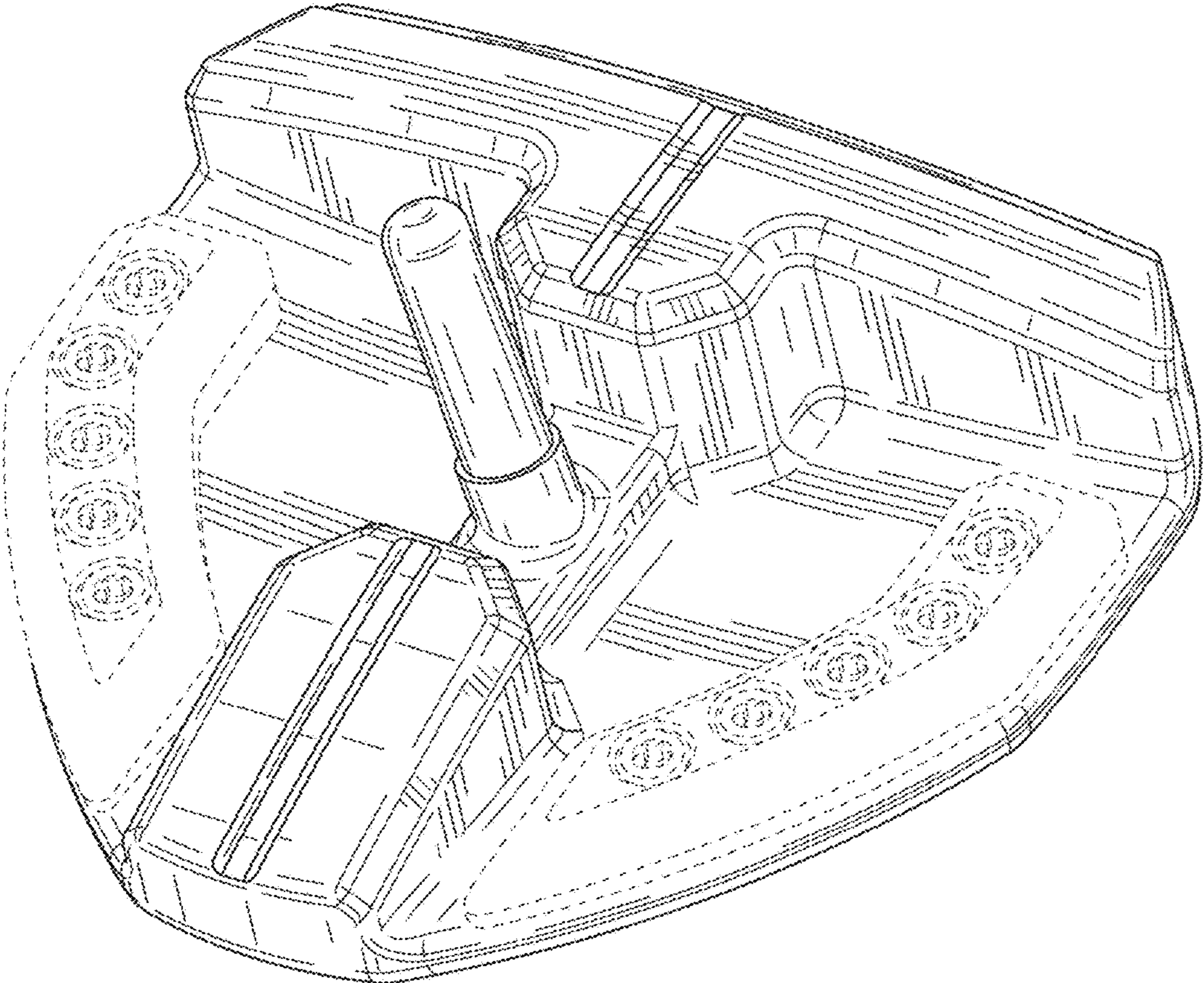


FIG. 2

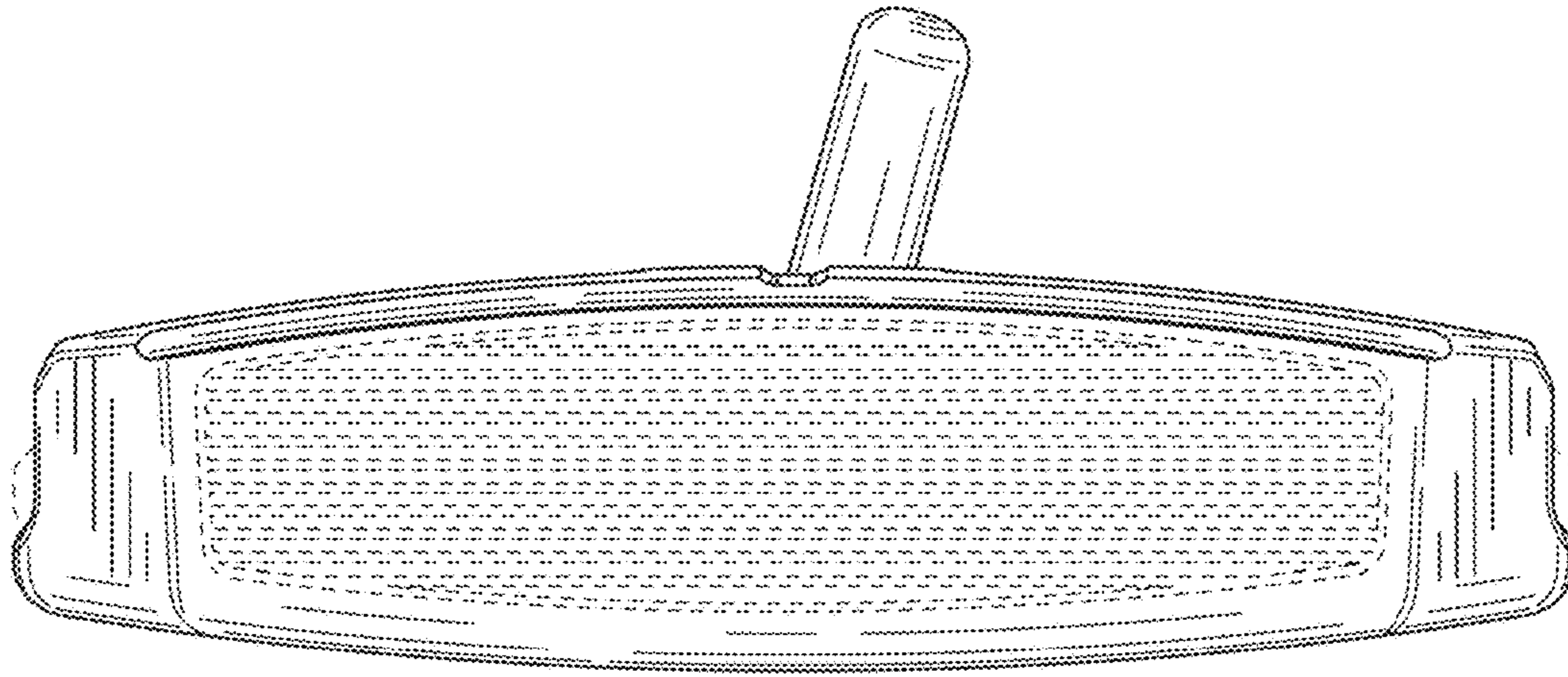


FIG. 3

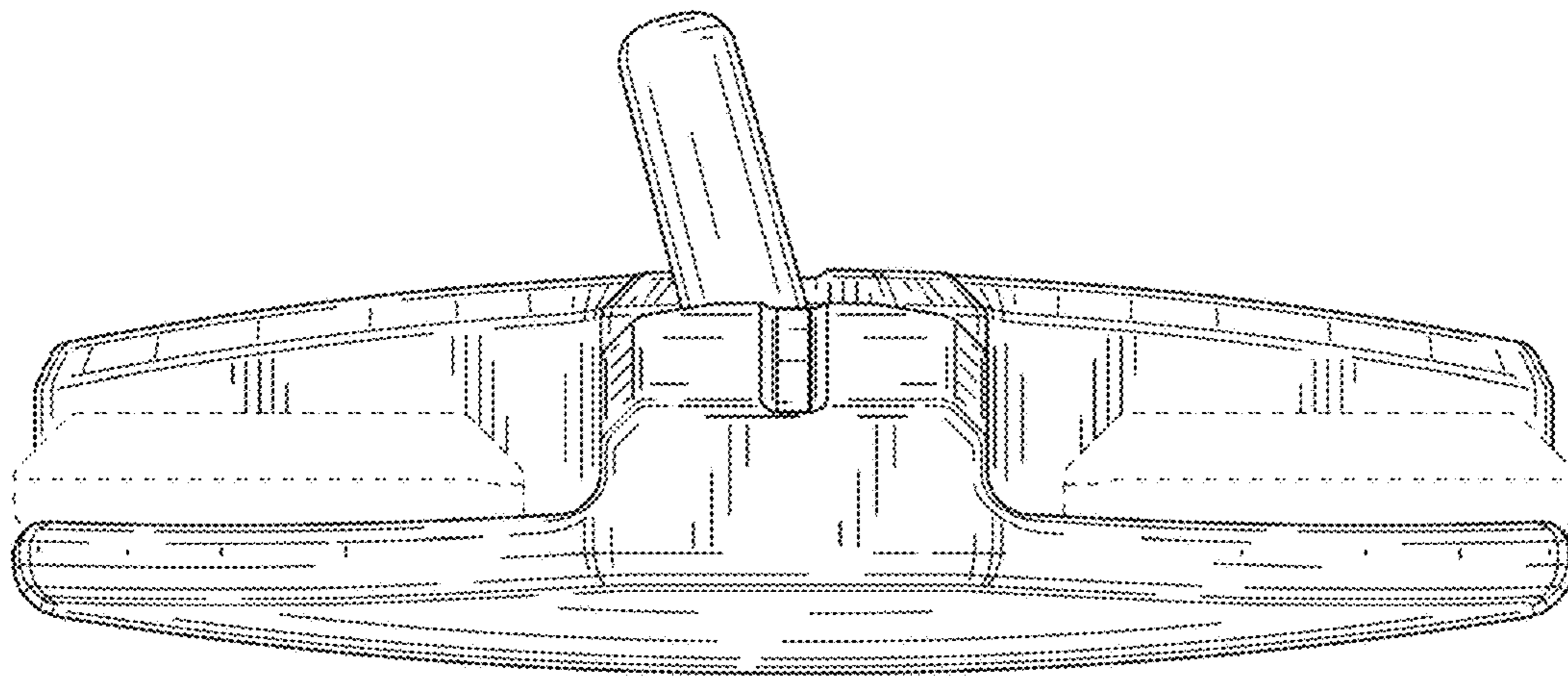


FIG. 4

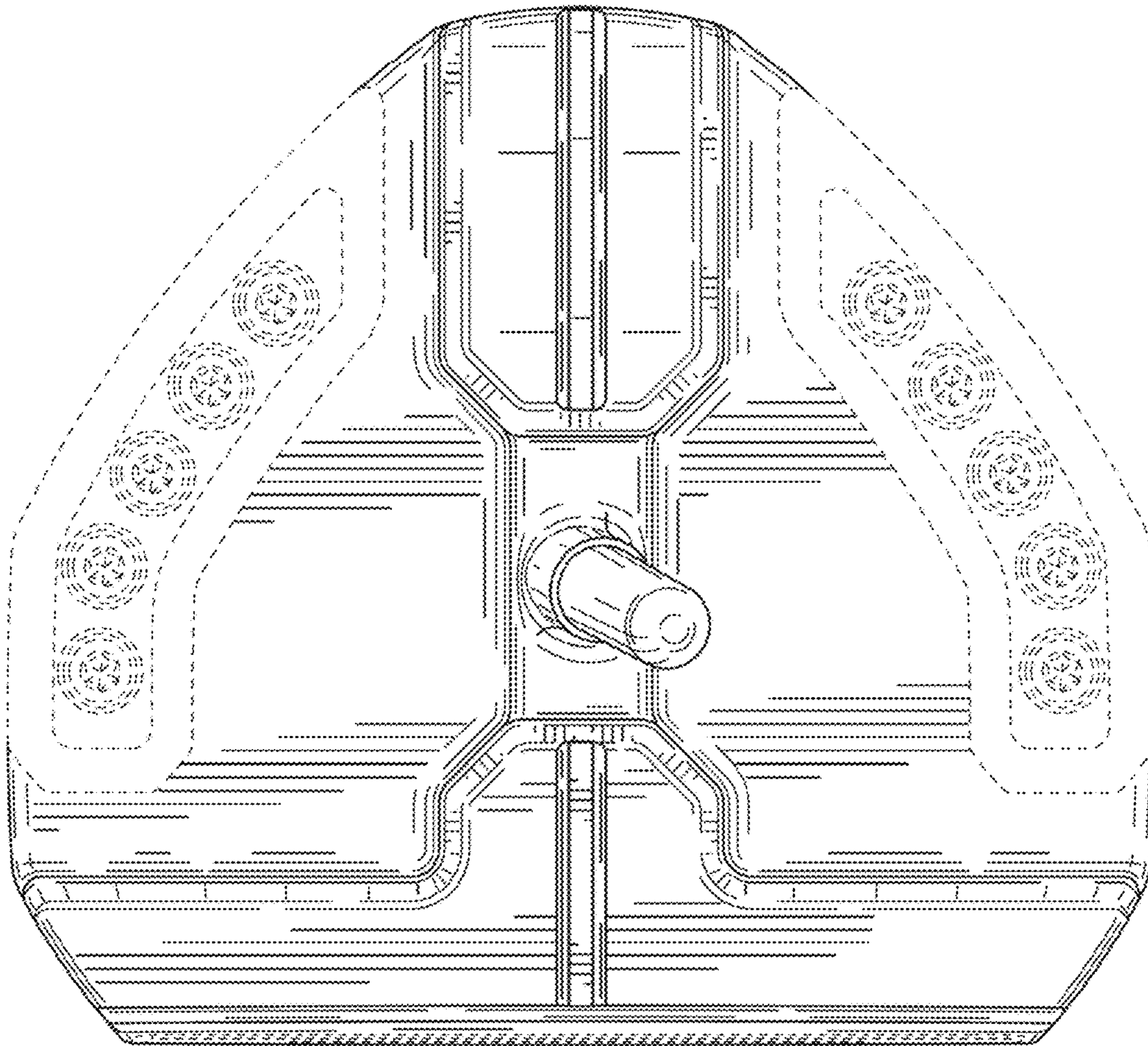


FIG. 5

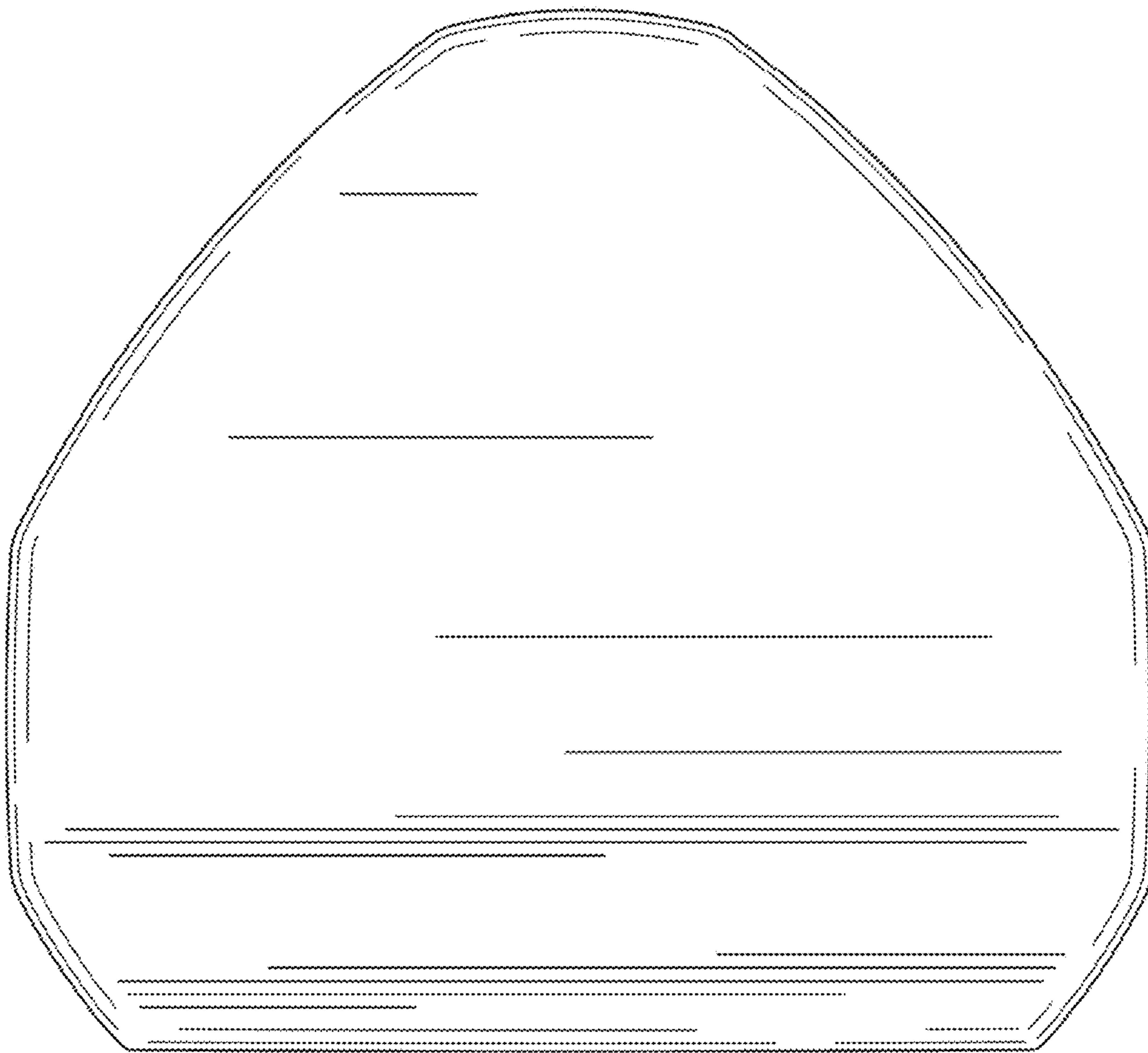


FIG. 6

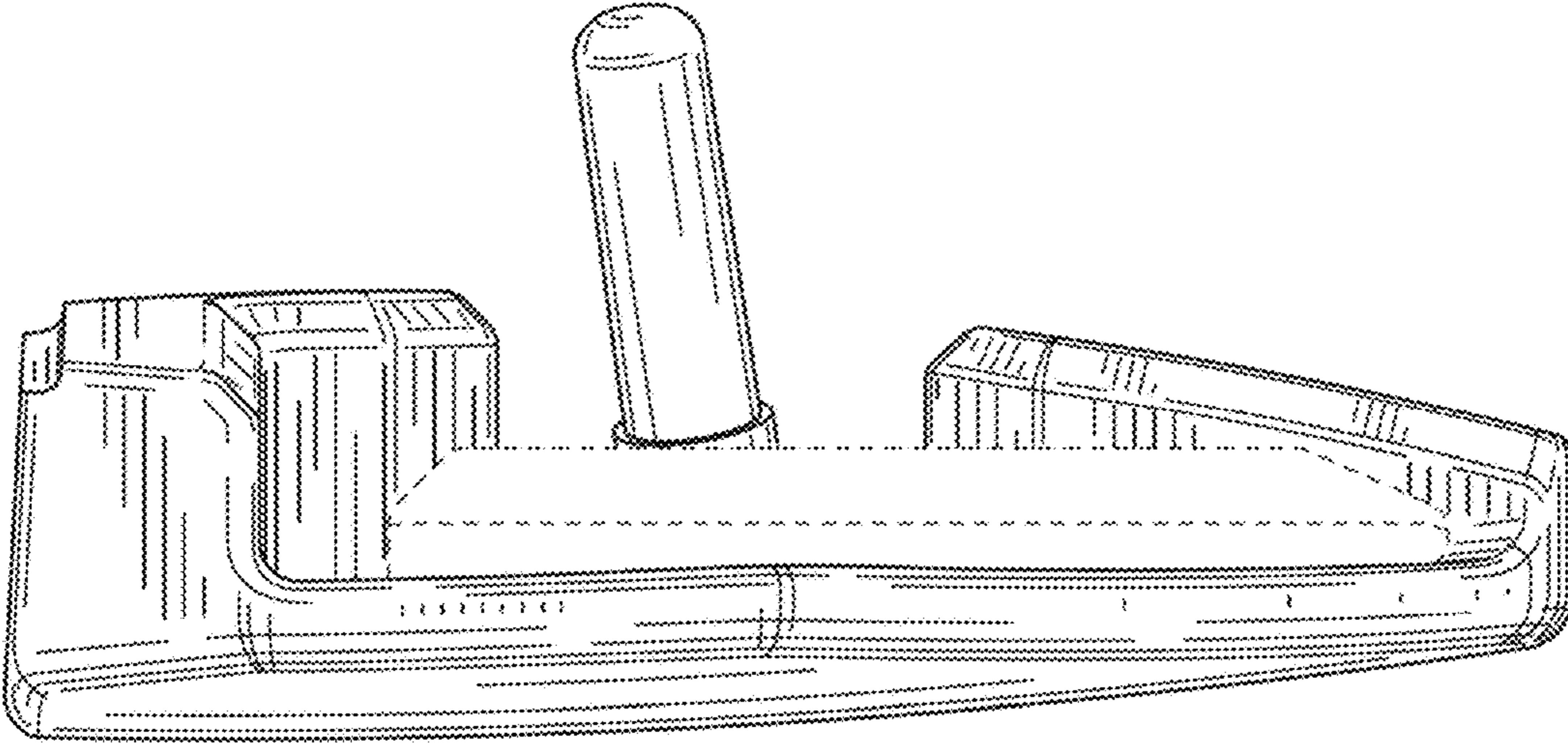


FIG. 7

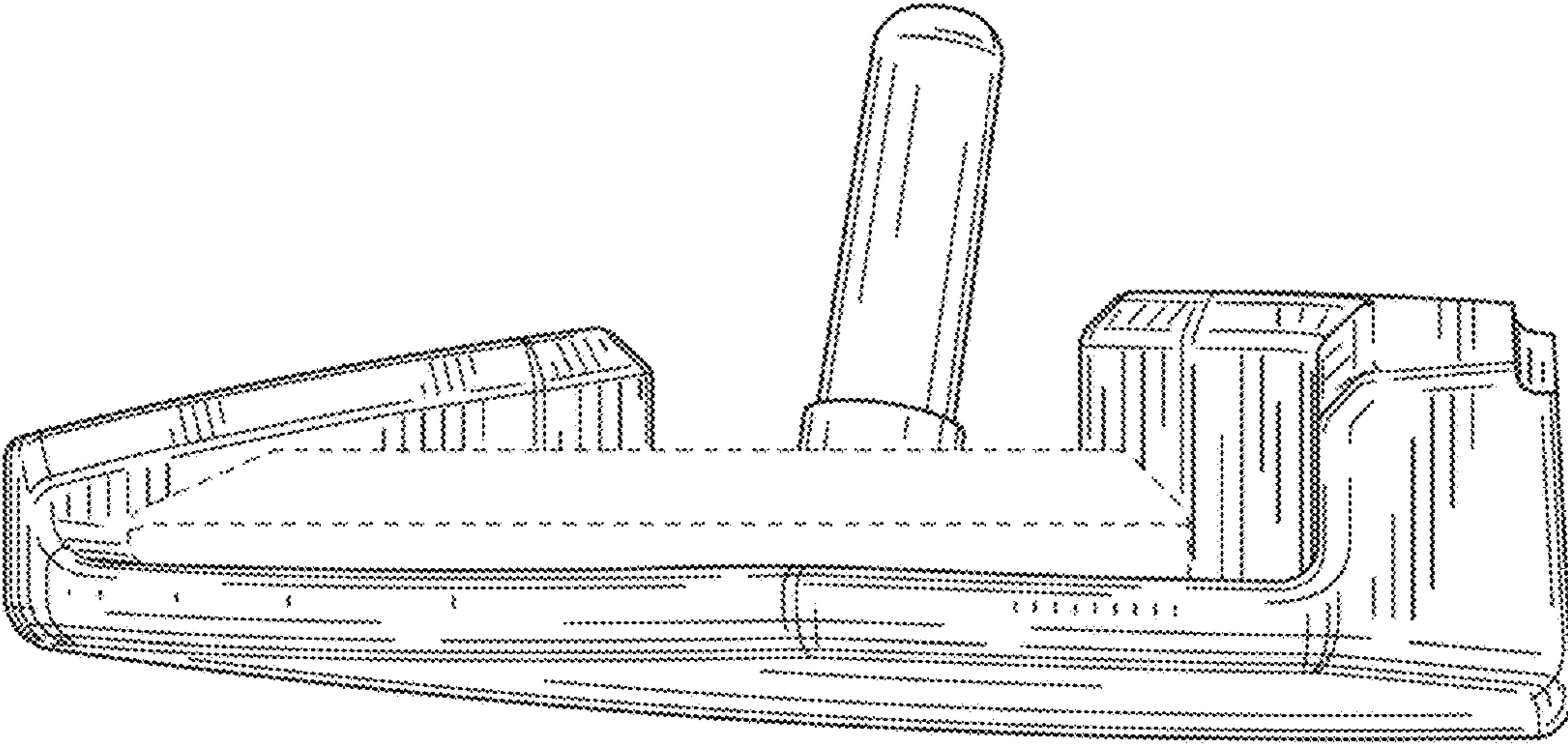


FIG. 8



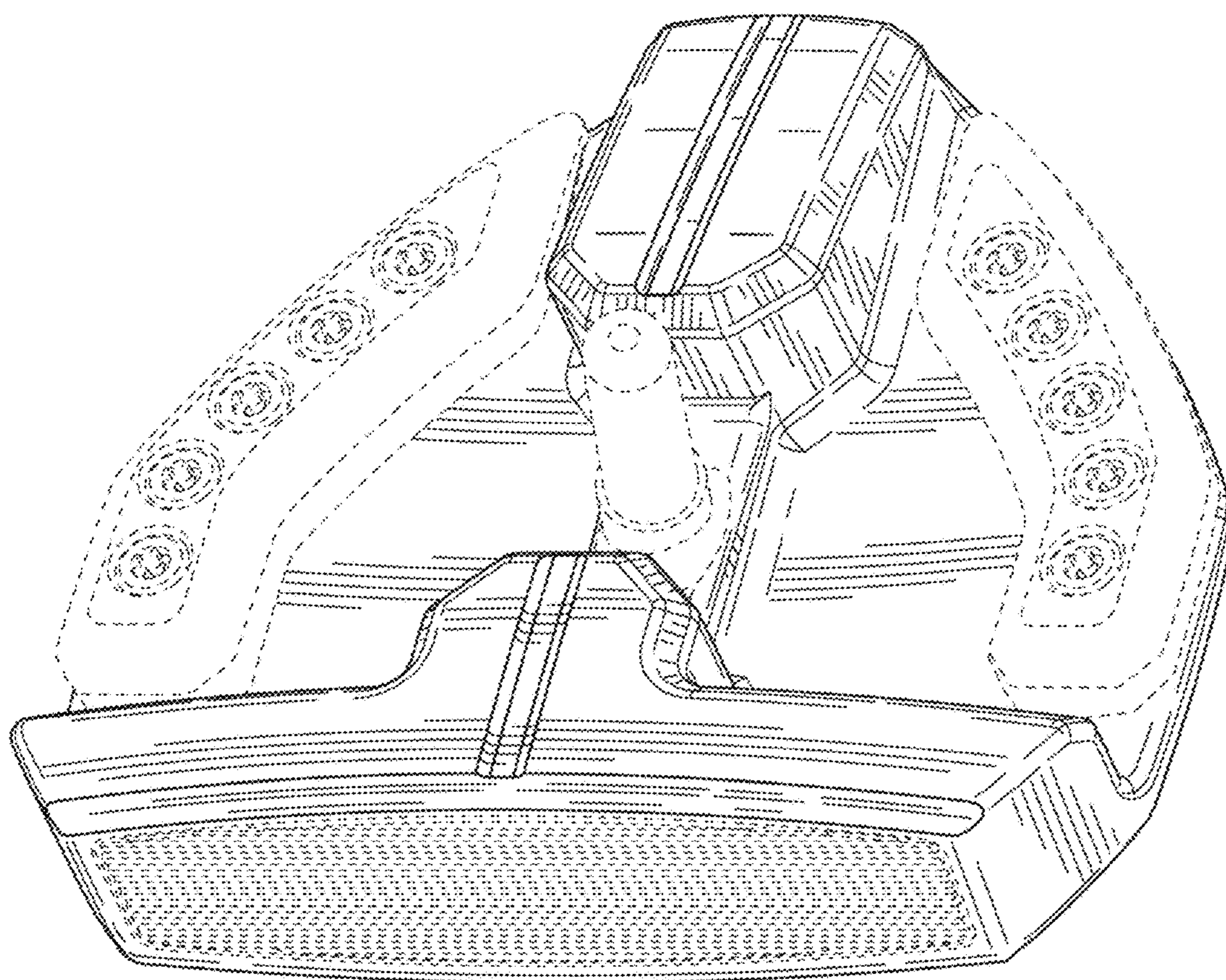


FIG. 9

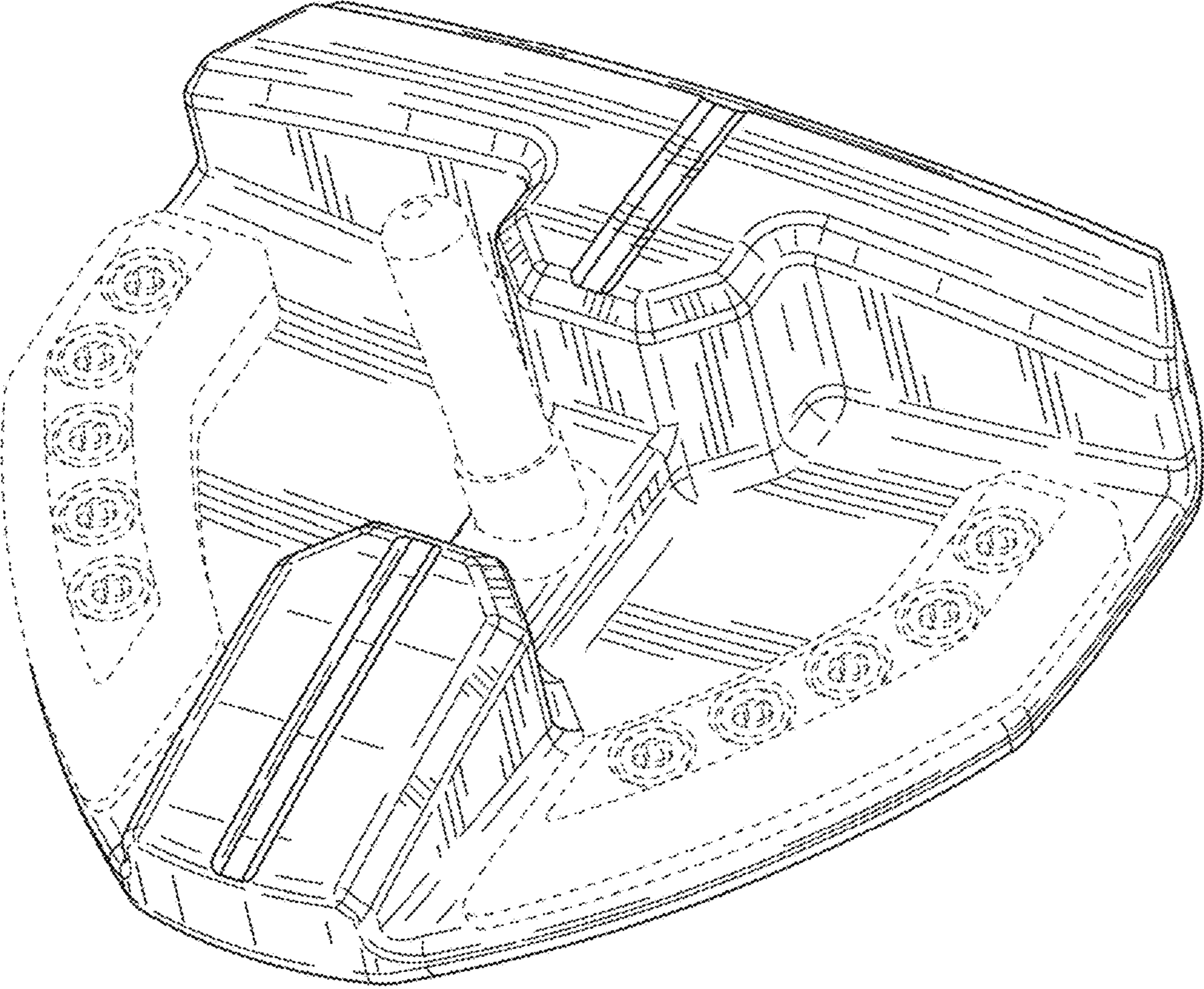


FIG. 10

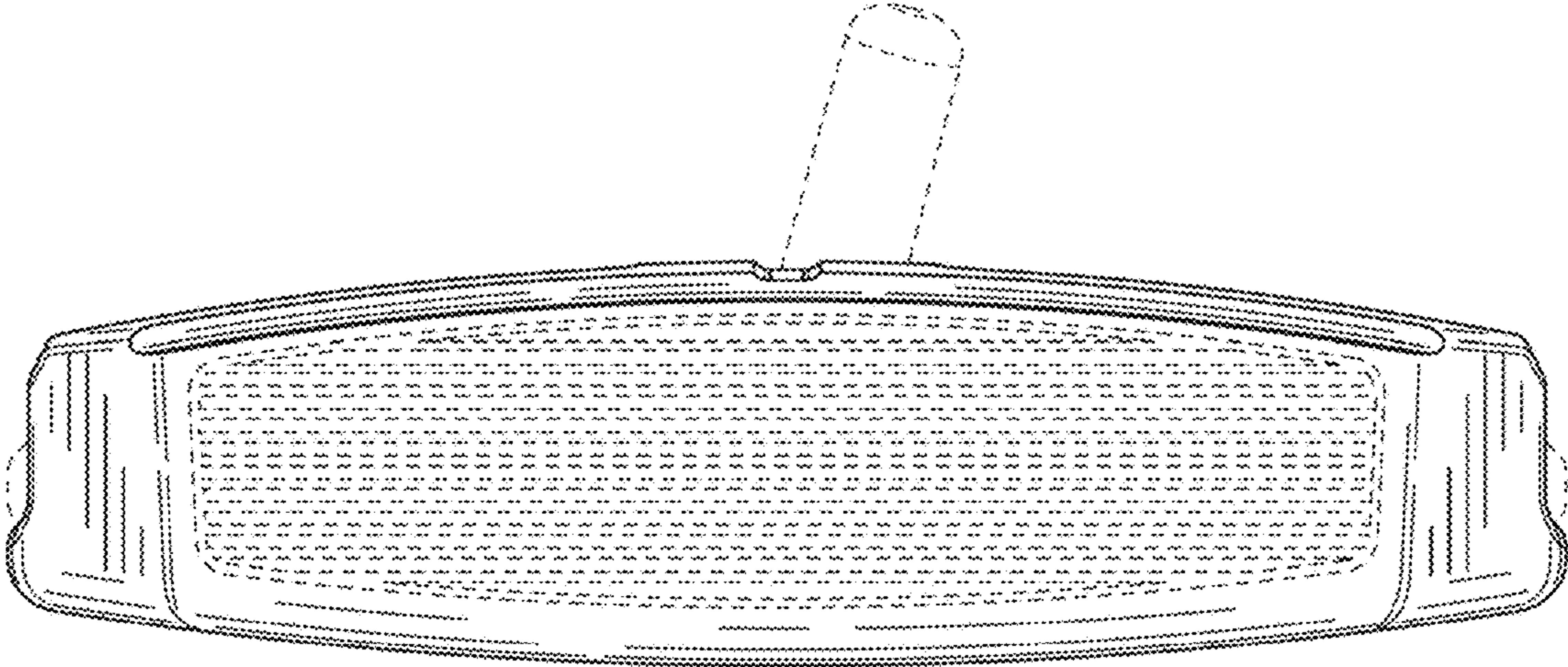


FIG. 11

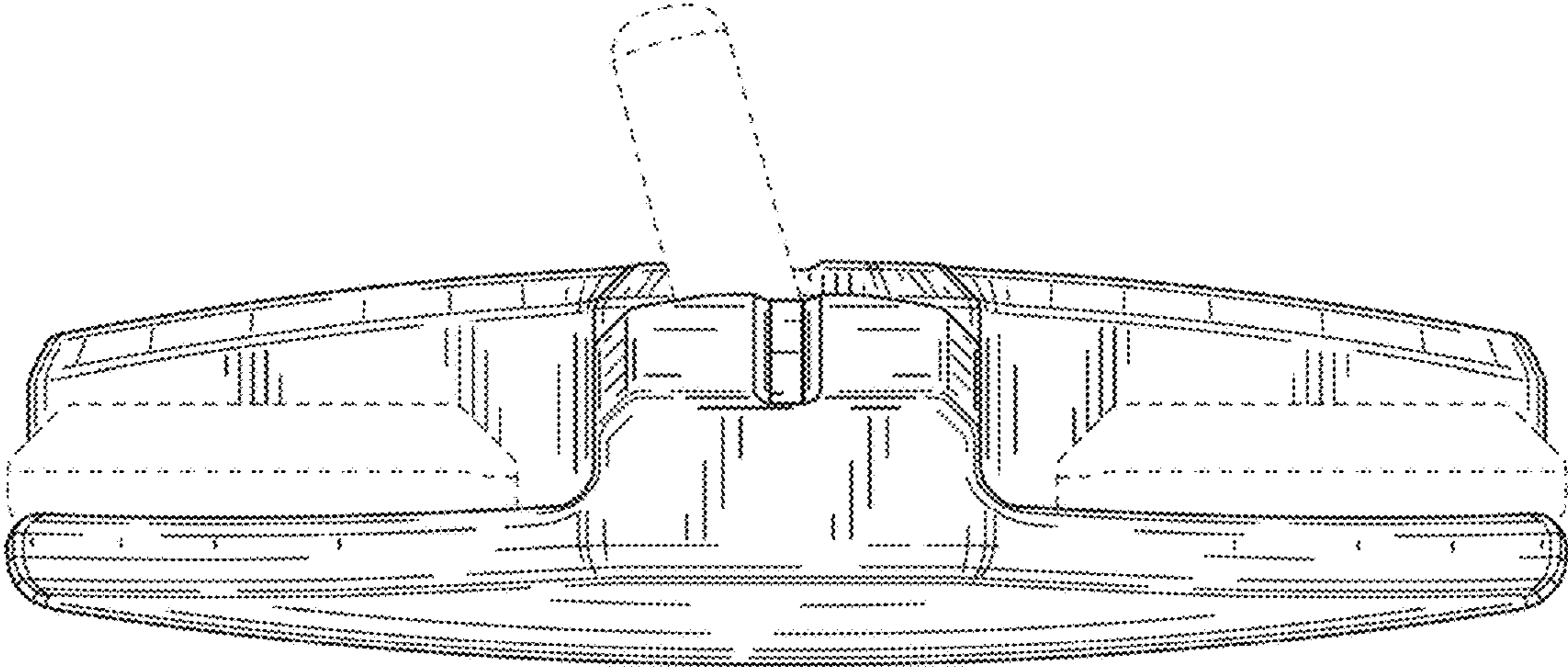


FIG. 12

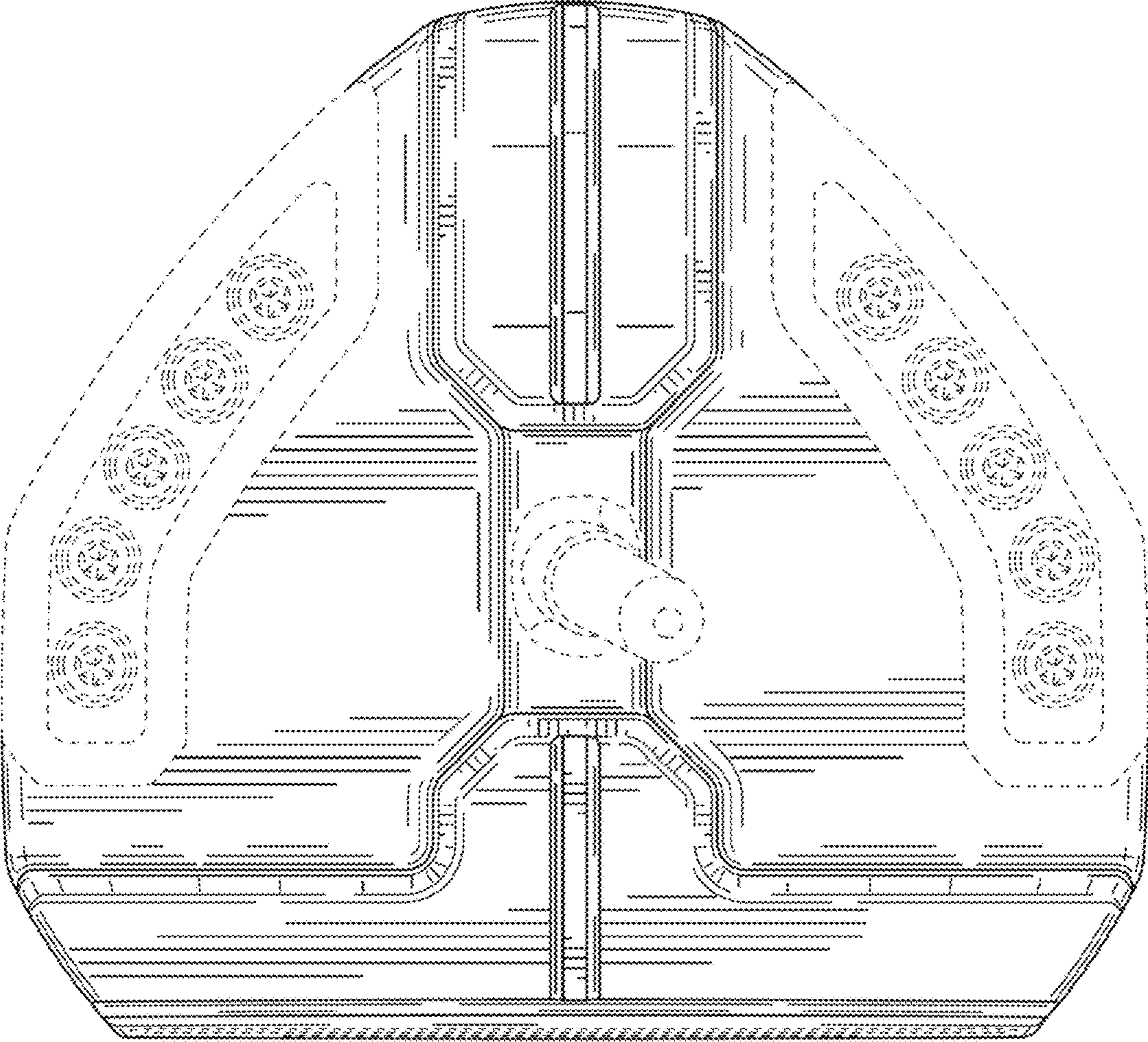


FIG. 13

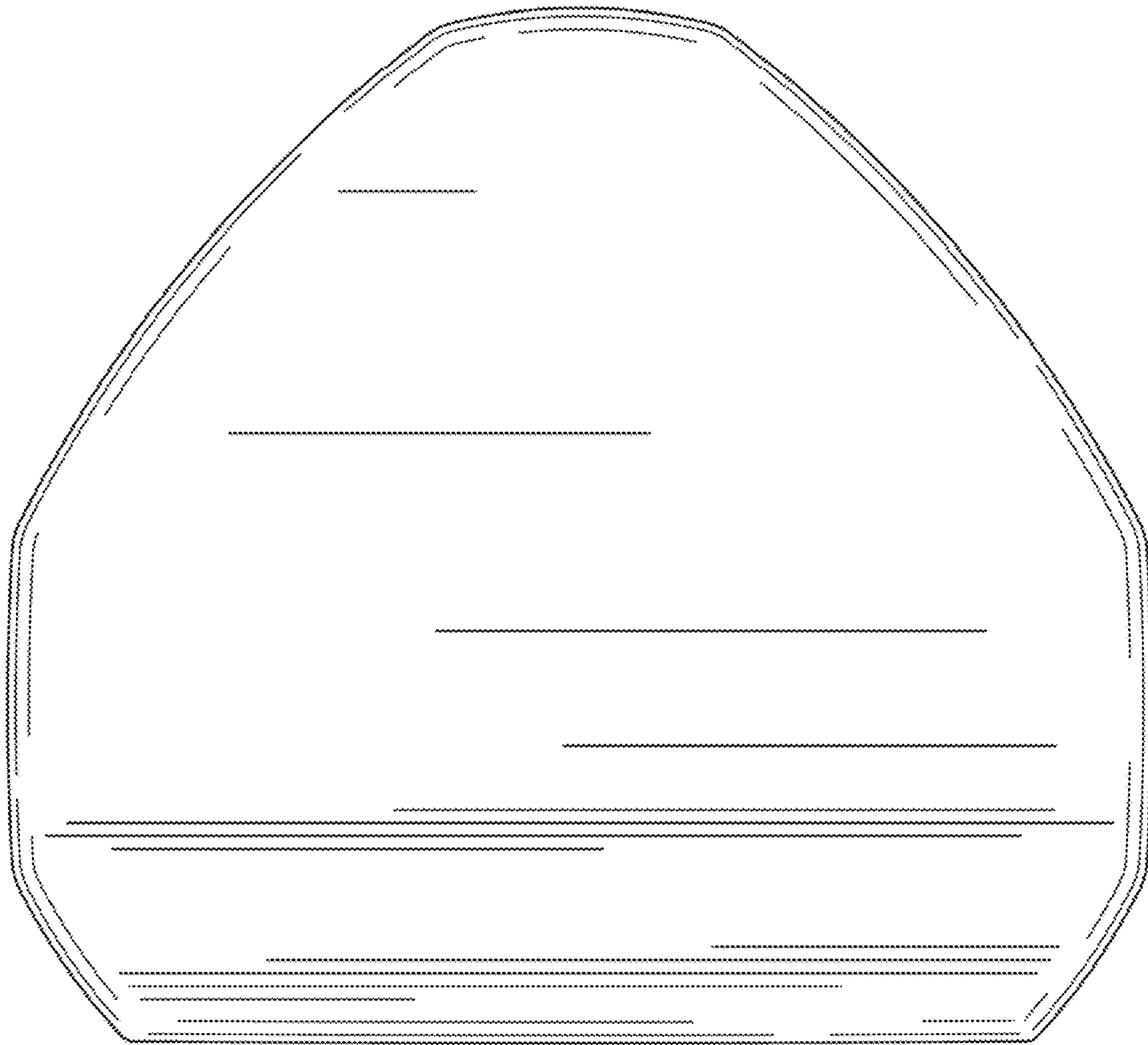


FIG. 14

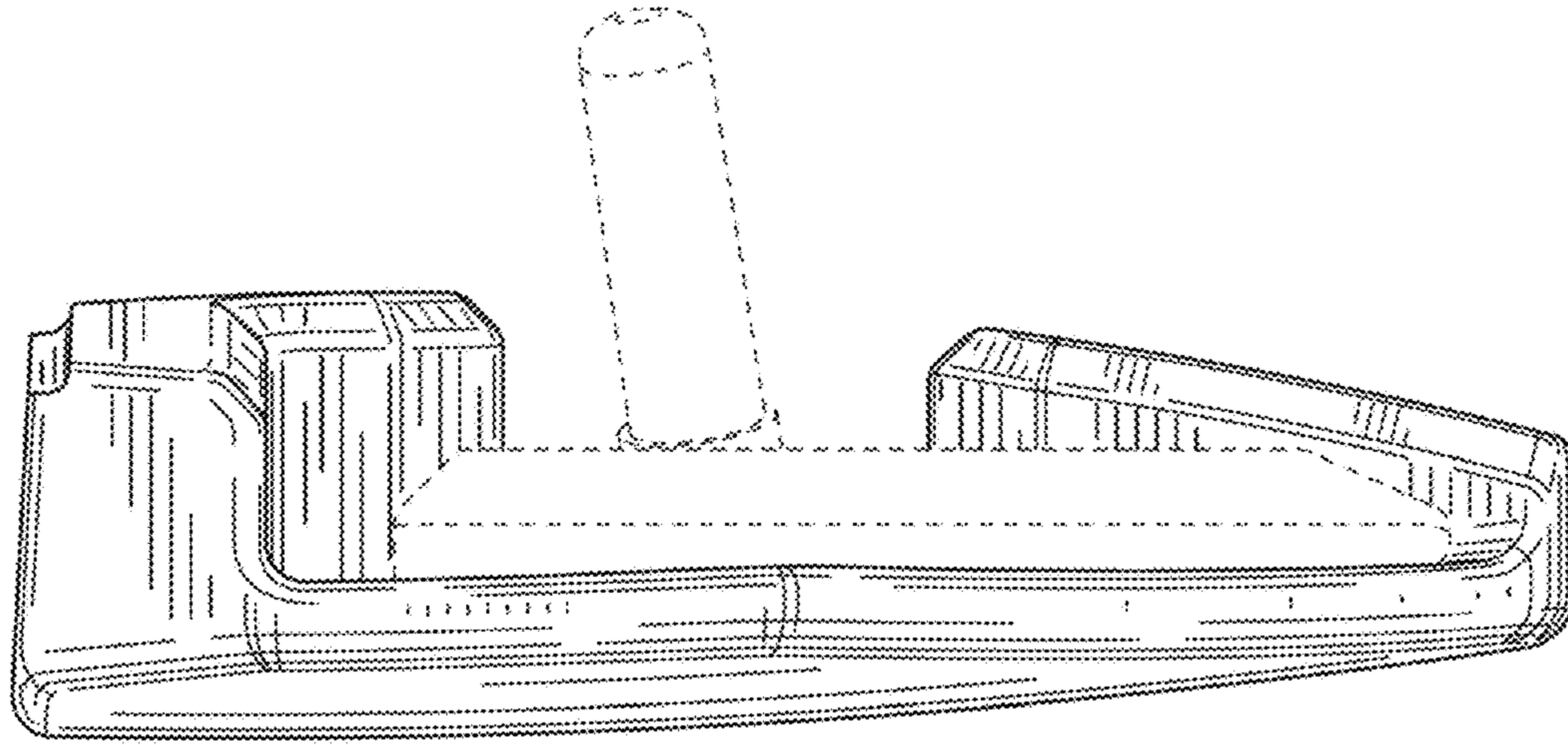


FIG. 15

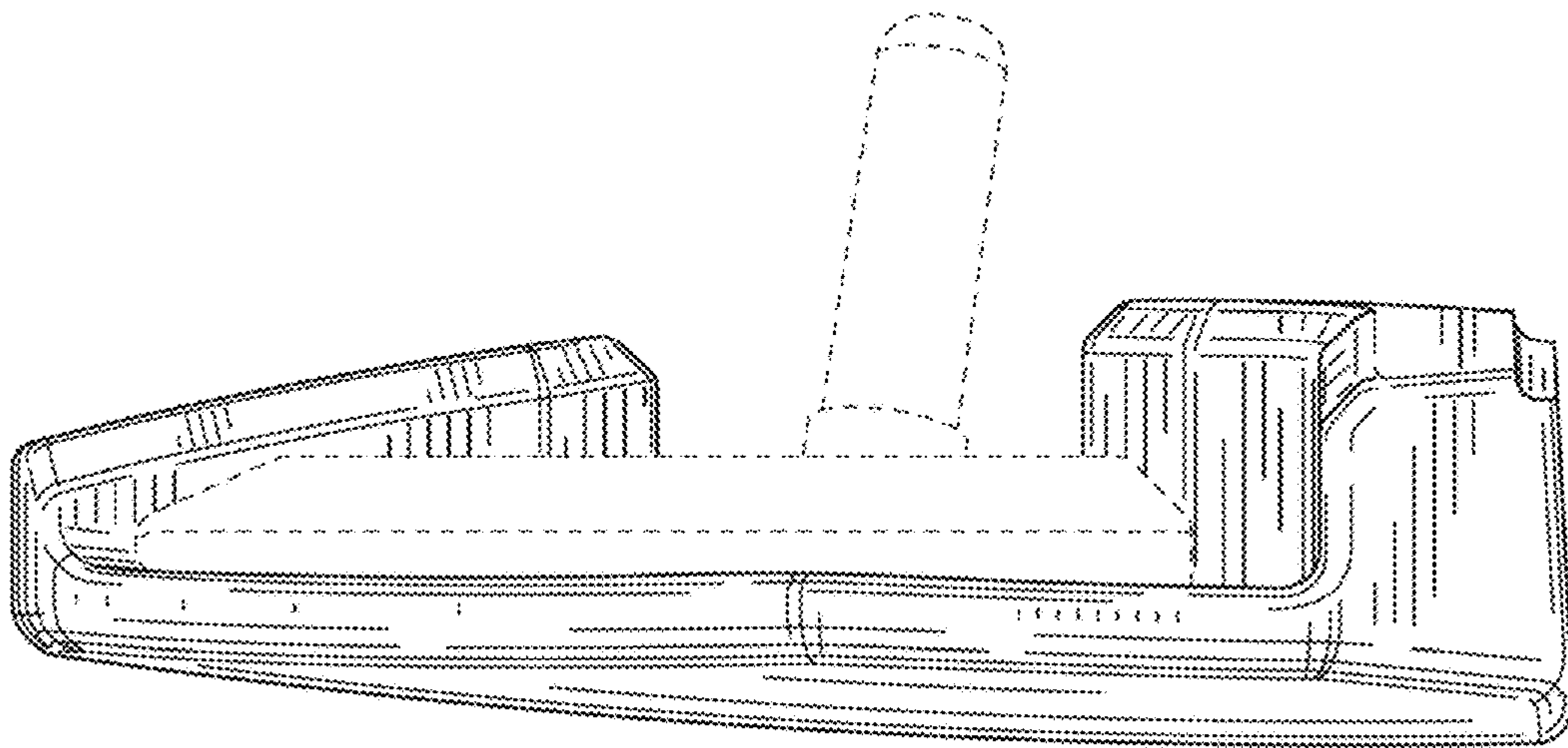


FIG. 16