



US00D831763S

(12) **United States Design Patent** (10) **Patent No.:** **US D831,763 S**
Assad et al. (45) **Date of Patent:** **** Oct. 23, 2018**

(54) **PELVIC MUSCLE EXERCISE MACHINE**

(71) Applicant: **HCD Agency LLC**, Los Angeles, CA (US)

(72) Inventors: **Hanna Elisabeth Assad**, Los Angeles, CA (US); **David G. Vogt, Jr.**, Salt Lake City, UT (US); **Henrik Stranne**, Ekerö (SE)

(73) Assignee: **HCD AGENCY LLC**, Los Angeles, CA (US)

(**) Term: **15 Years**

(21) Appl. No.: **29/637,069**

(22) Filed: **Feb. 13, 2018**

Related U.S. Application Data

(63) Continuation of application No. 29/572,397, filed on Jul. 27, 2016, now Pat. No. Des. 810,848, which is a continuation-in-part of application No. 14/958,169, filed on Dec. 3, 2015.

(51) **LOC (11) Cl.** **21-02**

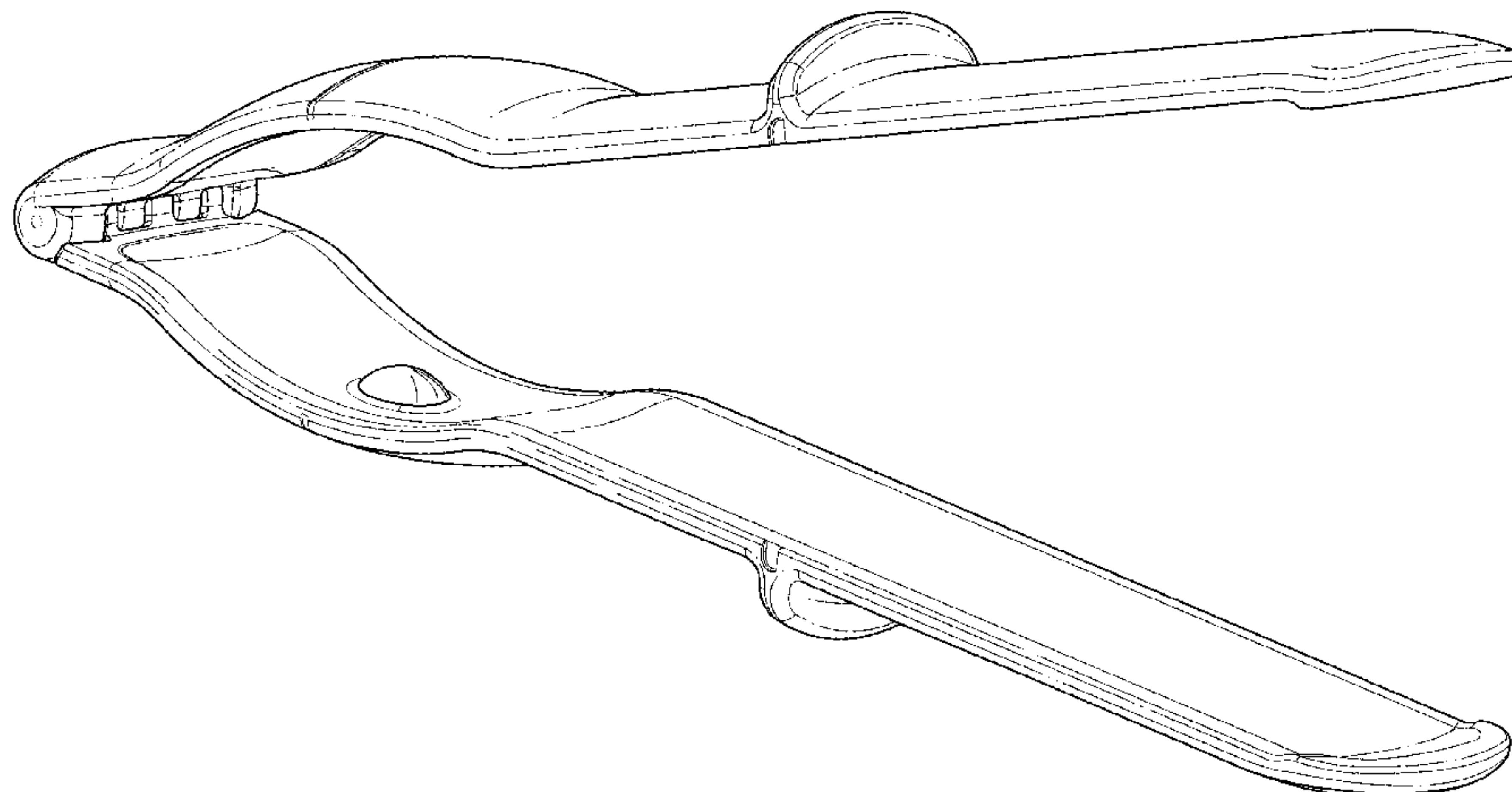
(52) **U.S. Cl.**
USPC **D21/692**; D24/135

(58) **Field of Classification Search**
USPC 482/47, 45, 49, 48, 44, 121, 105, 122, 482/128, 112, 141, 51, 66, 70, 126, 46, 482/107, 8, 901, 139, 108, 82, 106, 594, 482/124, 131, 11, 93, 97; D21/684, 692, D21/662, 679, 693, 714, 682, 501; 127/45; D11/133; D19/97, 82, 96; D27/156; D32/35; D22/112; 73/379.03; 84/465, 265; D8/303; D24/211; 74/558; 601/125, 133, 135, 137, 204, 38; 473/594
CPC A63B 21/0552; A63B 2208/0204; A63B 22/001; A63B 21/00069; A63B 23/12
See application file for complete search history.

(56) **References Cited**

U.S. PATENT DOCUMENTS

3,036,389 A	5/1962	Wesch	
4,332,380 A	6/1982	Cardin	
D281,802 S *	12/1985	Gordon	D21/684
4,729,560 A	3/1988	Cho	
5,072,927 A	12/1991	Santos	
5,222,926 A	6/1993	Eggen	
5,267,929 A	12/1993	Chen	
5,360,385 A	11/1994	Wang	
5,380,259 A	1/1995	Robertson	
D358,857 S *	5/1995	Yang	D21/684
5,529,551 A	6/1996	Chin	
5,554,092 A	9/1996	Harpstead	
D379,104 S *	5/1997	Beard	D21/684
5,674,164 A *	10/1997	Kravitz	A63B 21/0004 482/121
5,752,896 A	5/1998	White	
5,833,580 A	11/1998	Chiu	
5,865,715 A	2/1999	Wallick	
D408,062 S *	4/1999	Beard	D21/684
6,063,006 A	5/2000	Chiu	
D428,631 S *	7/2000	Stein	D21/662
6,258,015 B1	7/2001	Blackford	
D446,561 S *	8/2001	Beard	D21/662
D446,857 S *	8/2001	Stein	D24/133
D447,234 S *	8/2001	Stein	D24/135
D447,235 S *	8/2001	Stein	D24/135
D460,505 S *	7/2002	Yang	D21/684
6,786,849 B1 *	9/2004	Faulconer	A63B 21/0004 482/121
6,881,177 B2	4/2005	An	
D505,169 S *	5/2005	Kuo	D21/684
7,001,315 B1	2/2006	Diodati	
D521,086 S *	5/2006	Faulconer	D21/684
D561,850 S *	2/2008	Yang	D21/684
D626,188 S *	10/2010	Bisson	D21/684
D634,796 S *	3/2011	Batiste	D21/684
7,955,237 B2 *	6/2011	Bisson	A63B 21/0004 482/126
D654,126 S	2/2012	Eckermann	
8,118,726 B1	2/2012	Blackford	
8,133,158 B2	3/2012	An	
D671,179 S *	11/2012	Chang	D21/684
8,376,912 B1	2/2013	Dedvukaj	
8,556,786 B2 *	10/2013	Chen	A63B 21/0004 482/122
9,149,675 B2 *	10/2015	Kubik	A63B 23/03
D747,167 S *	1/2016	Harkin	D8/72
9,364,711 B1	6/2016	Keck	
2002/0147082 A1	10/2002	Harding-Randle	



2003/0036464	A1	2/2003	Zavilevich	
2006/0166797	A1	7/2006	Hamer	
2007/0037665	A1	2/2007	Robbins	
2007/0060448	A1	3/2007	Silagy	
2009/0239721	A1*	9/2009	Bisson	A63B 21/0004 482/126
2010/0004102	A1	1/2010	Harding-Randle	
2010/0093506	A1	4/2010	Aigner	
2010/0248918	A1	9/2010	Nakamura	
2011/0136634	A1*	6/2011	Batiste	A63B 21/02 482/127
2014/0113771	A1	4/2014	Kubik et al.	
2016/0279469	A1	9/2016	Rose	

FOREIGN PATENT DOCUMENTS

DE 19620945 A1 11/1997

OTHER PUBLICATIONS

U.S. Appl. No. 14/121,186, filed Aug. 11, 2014, Henry C. Keck.
 U.S. Appl. No. 14/958,169, filed Dec. 3, 2015, Hanna Elisabeth Claesson.
 U.S. Appl. No. 29/572,397, filed Jul. 27, 2016, Hanna Elisabeth Claesson.
<https://kegelmaster.com/>, Kegelmaster 2000 Kegel Exercise Device Official Company Website—Kegelmaster 2000, Copyright 2010-2016 Kegelmaster.com.
<http://www.perifit.fr/>, Copyright 2016 Perifit.
<https://www.elvie.com/>, 2014-2017 Chiaro.
<https://www.minnalife.com/products/kggoal>, 2016 Minna Life Inc.
<https://www.intimina.com/en/kegelsmart>, Intimina 2017.
 EP Search Report and Opinion of EP Application 16202060.6 dated Mar. 10, 2017.
 U.S. Appl. No. 14/121,186, dated Aug. 26, 2015, Office Action.
 U.S. Appl. No. 14/121,186, dated Feb. 16, 2016, Notice of Allowance.
 U.S. Appl. No. 14/958,169, dated Oct. 20, 2016, Office Action.
 U.S. Appl. No. 14/958,169, dated May 8, 2017, Final Office Action.
 U.S. Appl. No. 29/572,397, dated Dec. 18, 2017, Notice of Allowance.
 U.S. Appl. No. 14/958,169, dated Jun. 19, 2018, Office Action.

* cited by examiner

Primary Examiner — Philip S Hyder
Assistant Examiner — Ryan P Harvey
 (74) *Attorney, Agent, or Firm* — Workman Nydegger

(57) **CLAIM**

The ornamental design for a pelvic muscle exercise machine, as shown and described.

DESCRIPTION

FIG. 1 is a perspective view of a first embodiment of a pelvic muscle exercise machine.
 FIG. 2 is a top view of the pelvic muscle exercise machine of FIG. 1.
 FIG. 3 is a bottom view of the pelvic muscle exercise machine of FIG. 1.
 FIG. 4 is a left side view of the pelvic muscle exercise machine of FIG. 1.
 FIG. 5 is a right side view of the pelvic muscle exercise machine of FIG. 1.
 FIG. 6 is a rear view of the pelvic muscle exercise machine of FIG. 1, shown in a closed position.
 FIG. 7 is a front view of the pelvic muscle exercise machine of FIG. 1, shown in a closed position.

FIG. 8 is a perspective view of an upper arm of the pelvic muscle exercise machine of FIG. 1.
 FIG. 9 is a top view of the upper arm of the pelvic muscle exercise machine of FIG. 1.
 FIG. 10 is a bottom view of the upper arm of the pelvic muscle exercise machine of FIG. 1.
 FIG. 11 is a left side view of the upper arm of the pelvic muscle exercise machine of FIG. 1.
 FIG. 12 is a right side view of the upper arm of pelvic muscle exercise machine of FIG. 1.
 FIG. 13 is a rear view of the upper arm of pelvic muscle exercise machine of FIG. 1.
 FIG. 14 is a front view of the upper arm of pelvic muscle exercise machine of FIG. 1.
 FIG. 15 is a perspective view of a lower arm of the pelvic muscle exercise machine of FIG. 1.
 FIG. 16 is a top view of the lower arm of the pelvic muscle exercise machine of FIG. 1.
 FIG. 17 is a bottom view of the lower arm of the pelvic muscle exercise machine of FIG. 1.
 FIG. 18 is a left side view of the lower arm of the pelvic muscle exercise machine of FIG. 1;
 FIG. 19 is a right side view of the lower arm of the pelvic muscle exercise machine of FIG. 1.
 FIG. 20 is a rear view of the lower arm of the pelvic muscle exercise machine of FIG. 1.
 FIG. 21 is a front view of the lower arm of the pelvic muscle exercise machine of FIG. 1.
 FIG. 22 is a perspective view of a second embodiment of a pelvic muscle exercise machine.
 FIG. 23 is a top view of the pelvic muscle exercise machine of FIG. 22.
 FIG. 24 is a bottom view of the pelvic muscle exercise machine of FIG. 22.
 FIG. 25 is a left side view of the pelvic muscle exercise machine of FIG. 22.
 FIG. 26 is a right side view of the pelvic muscle exercise machine of FIG. 22.
 FIG. 27 is a rear view of the pelvic muscle exercise machine of FIG. 22, shown in a closed position.
 FIG. 28 is a front view of the pelvic muscle exercise machine of FIG. 22, shown in a closed position.
 FIG. 29 is a perspective view of an upper arm of the pelvic muscle exercise machine of FIG. 22.
 FIG. 30 is a top view of the upper arm of the pelvic muscle exercise machine of FIG. 22.
 FIG. 31 is a bottom view of the upper arm of the pelvic muscle exercise machine of FIG. 22.
 FIG. 32 is a left side view of the upper arm of the pelvic muscle exercise machine of FIG. 22.
 FIG. 33 is a right side view of the upper arm of pelvic muscle exercise machine of FIG. 22.
 FIG. 34 is a rear view of the upper arm of pelvic muscle exercise machine of FIG. 22.
 FIG. 35 is a front view of the upper arm of pelvic muscle exercise machine of FIG. 22.
 FIG. 36 is a perspective view of a lower arm of the pelvic muscle exercise machine of FIG. 22.
 FIG. 37 is a top view of the lower arm of the pelvic muscle exercise machine of FIG. 22.
 FIG. 38 is a bottom view of the lower arm of the pelvic muscle exercise machine of FIG. 22.
 FIG. 39 is a left side view of the lower arm of the pelvic muscle exercise machine of FIG. 22.

FIG. **40** is a right side view of the lower arm of the pelvic muscle exercise machine of FIG. **22**.

FIG. **41** is a rear view of the lower arm of the pelvic muscle exercise machine of FIG. **22**; and,

FIG. **42** is a front view of the lower arm of the pelvic muscle exercise machine of FIG. **22**.

Broken lines in the Figures illustrate portions of the pelvic muscle exercise machine that form no part of the claimed design.

1 Claim, 42 Drawing Sheets

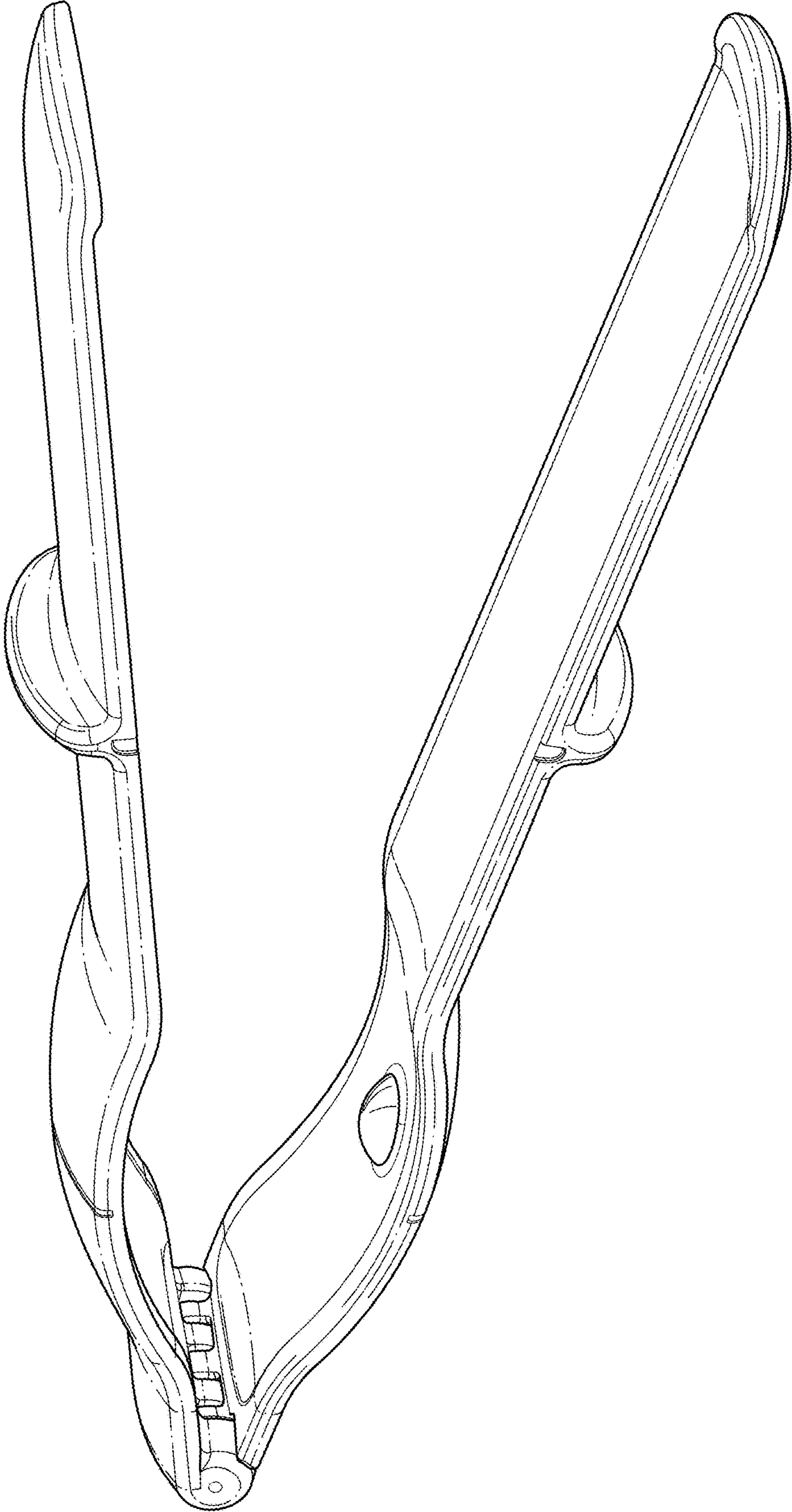


FIG. 1

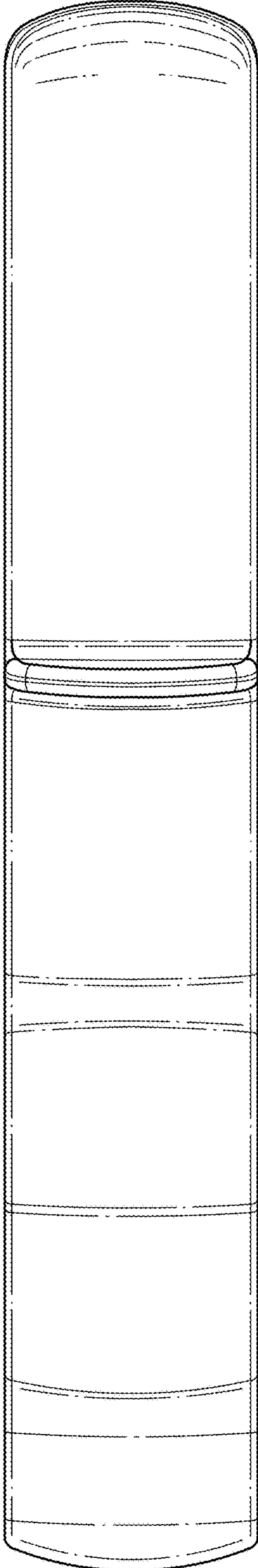


FIG. 2

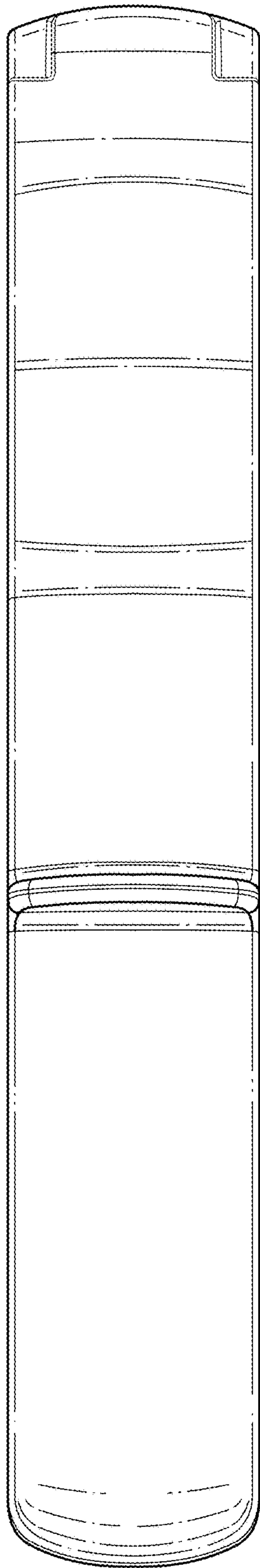


FIG. 3

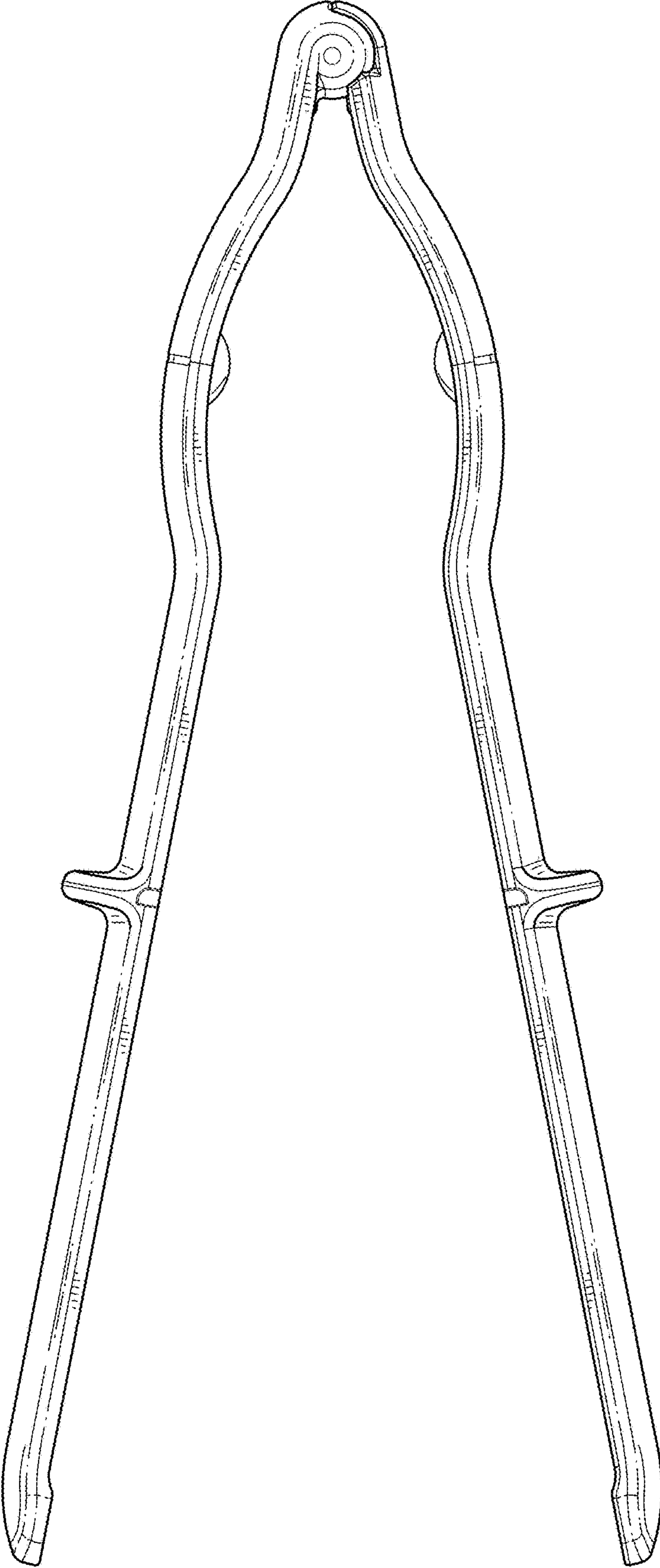


FIG. 4

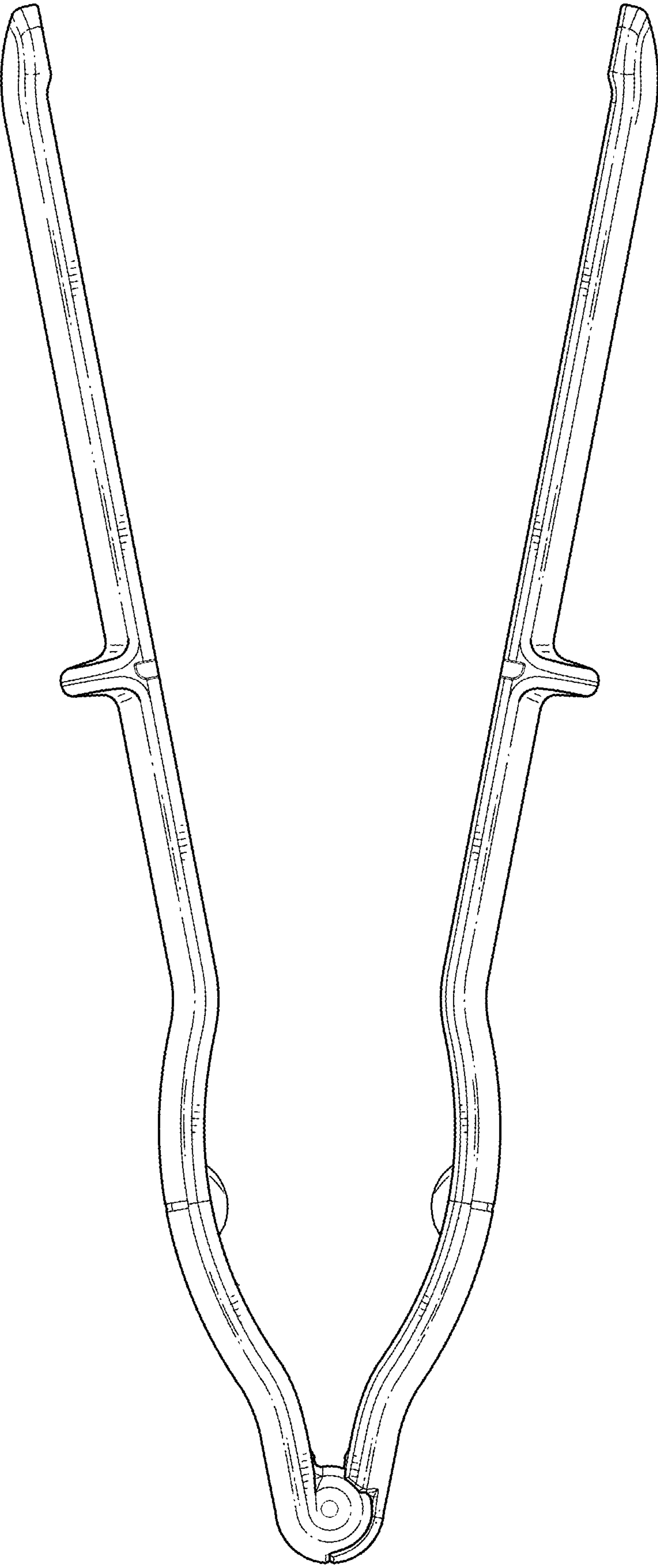


FIG. 5

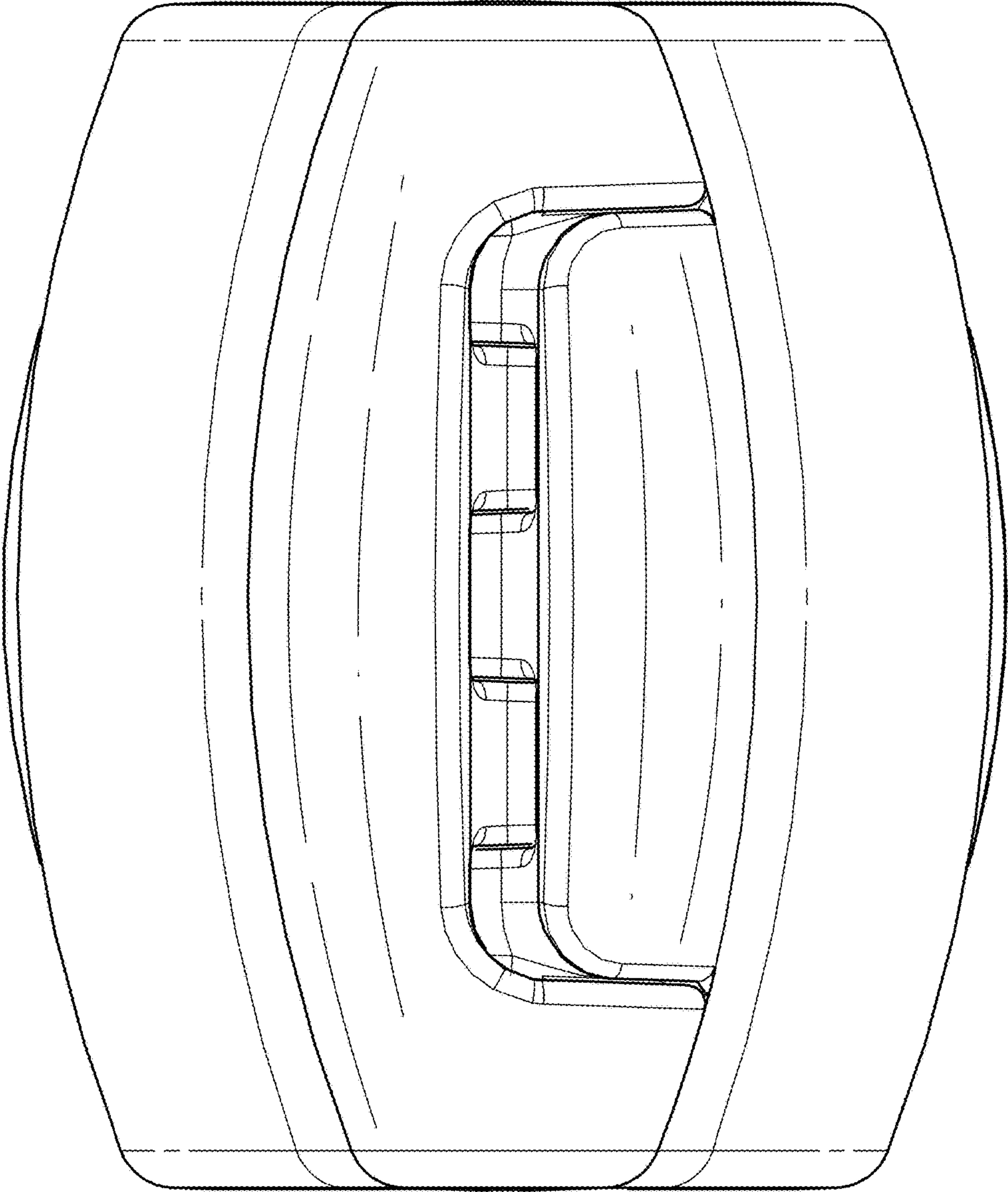


FIG. 6

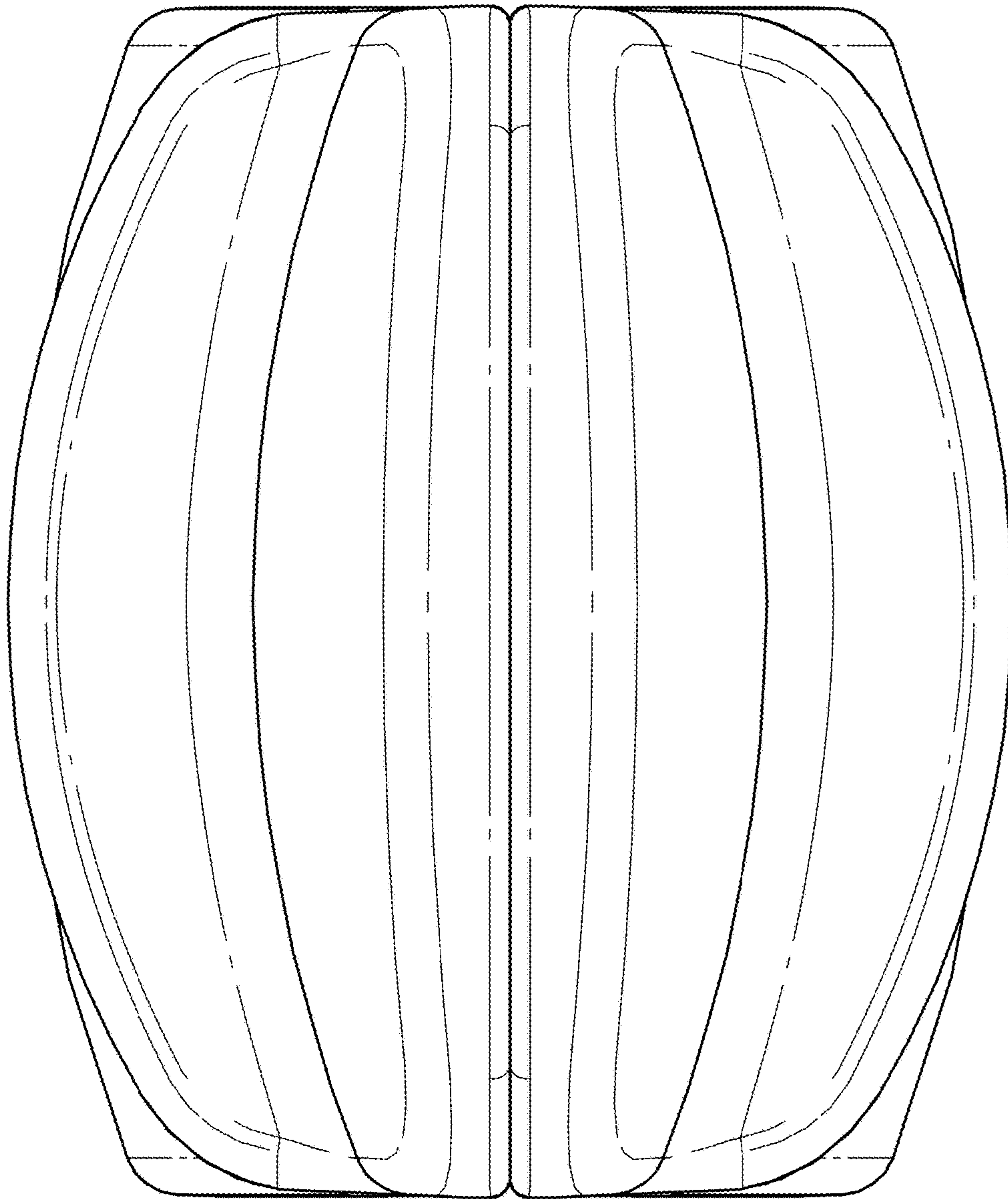


Fig. 7

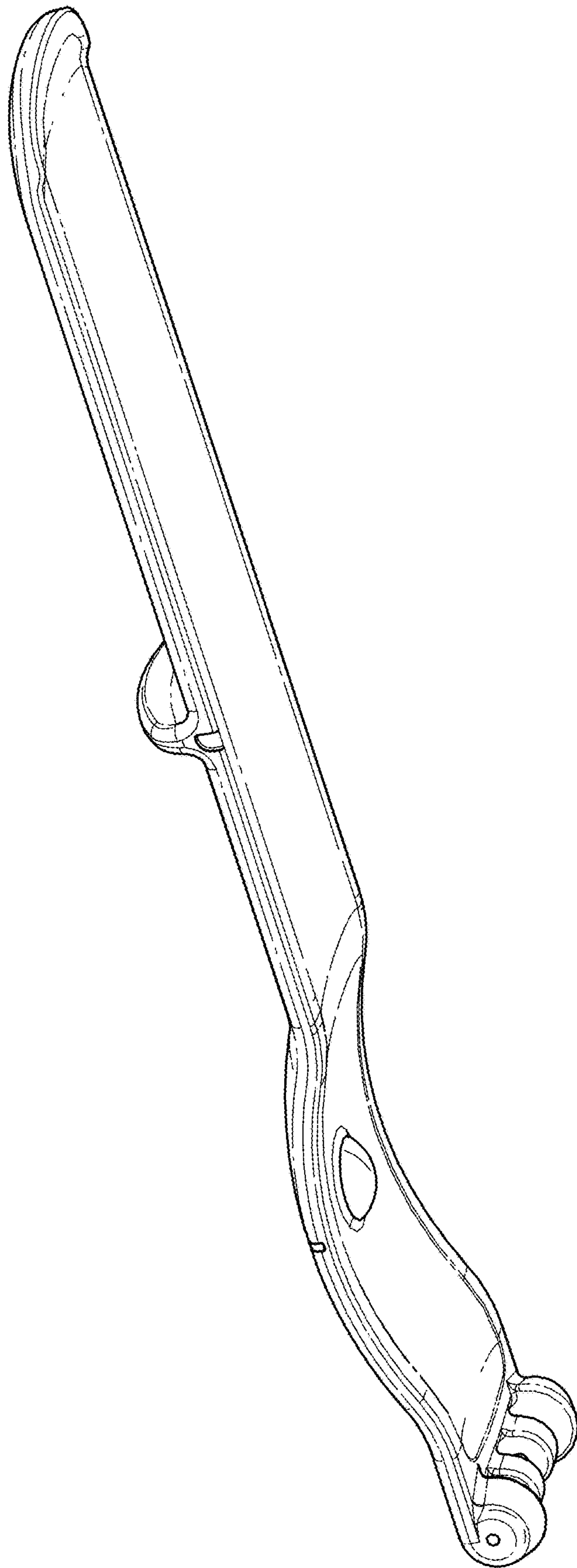


FIG. 8

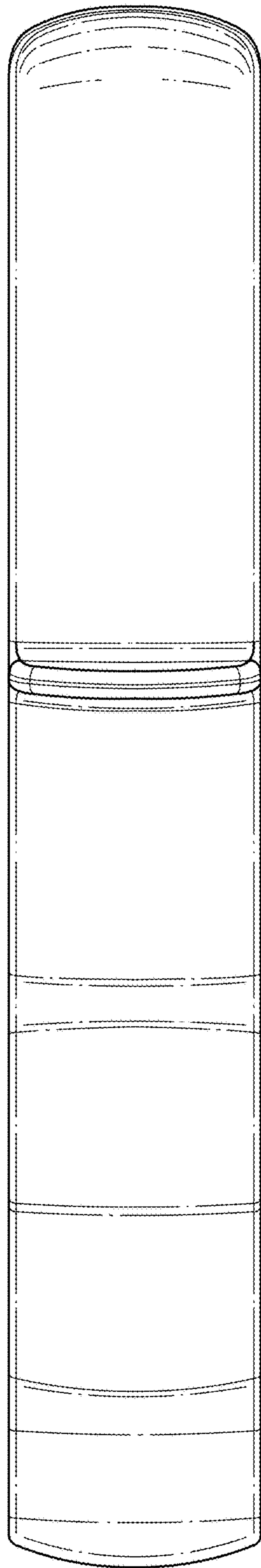


FIG. 9

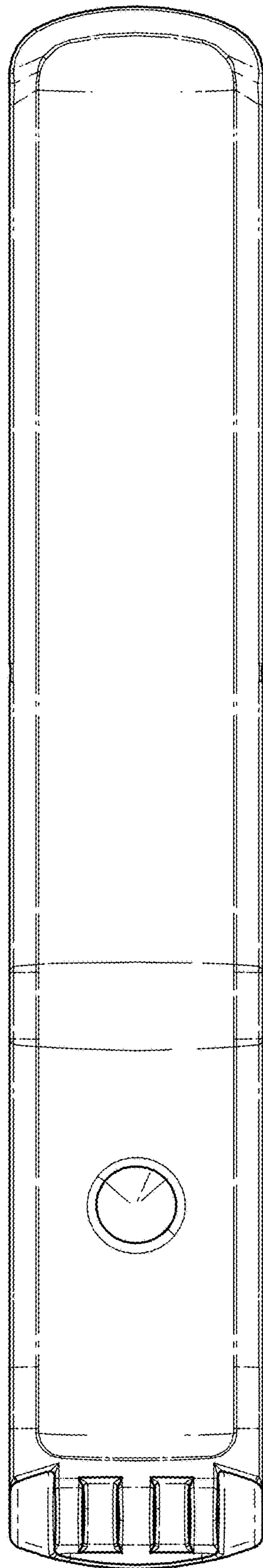


FIG. 10

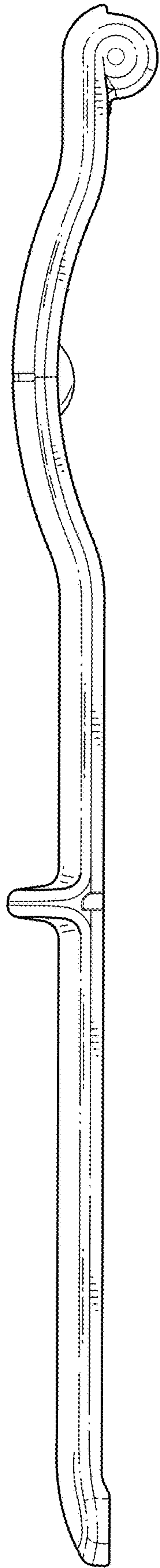


FIG. 11

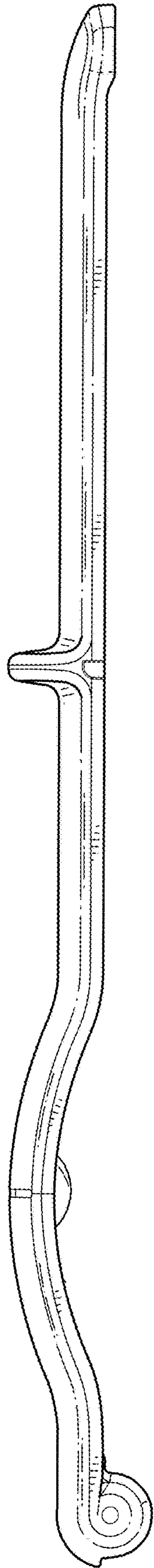


FIG. 12

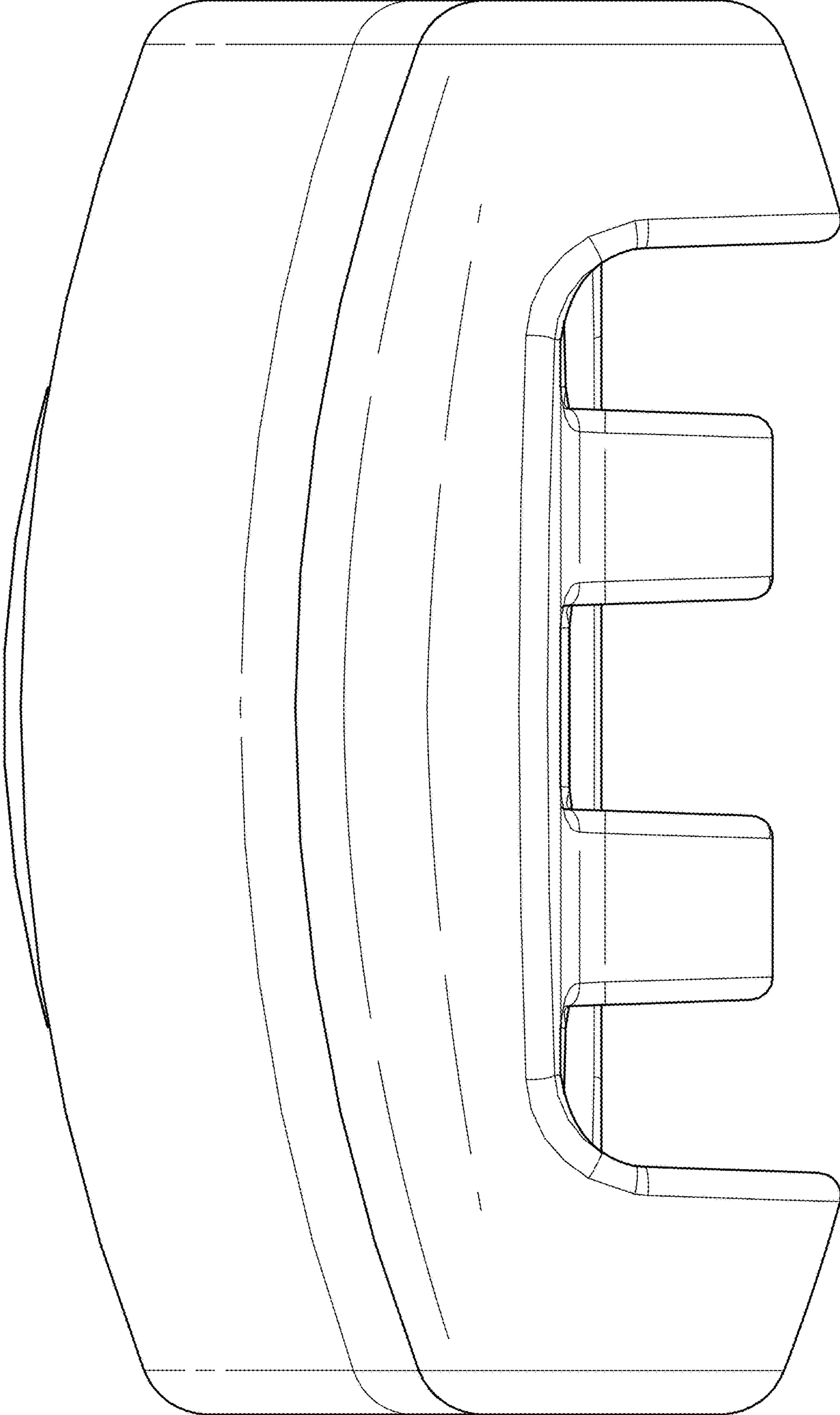


FIG. 13

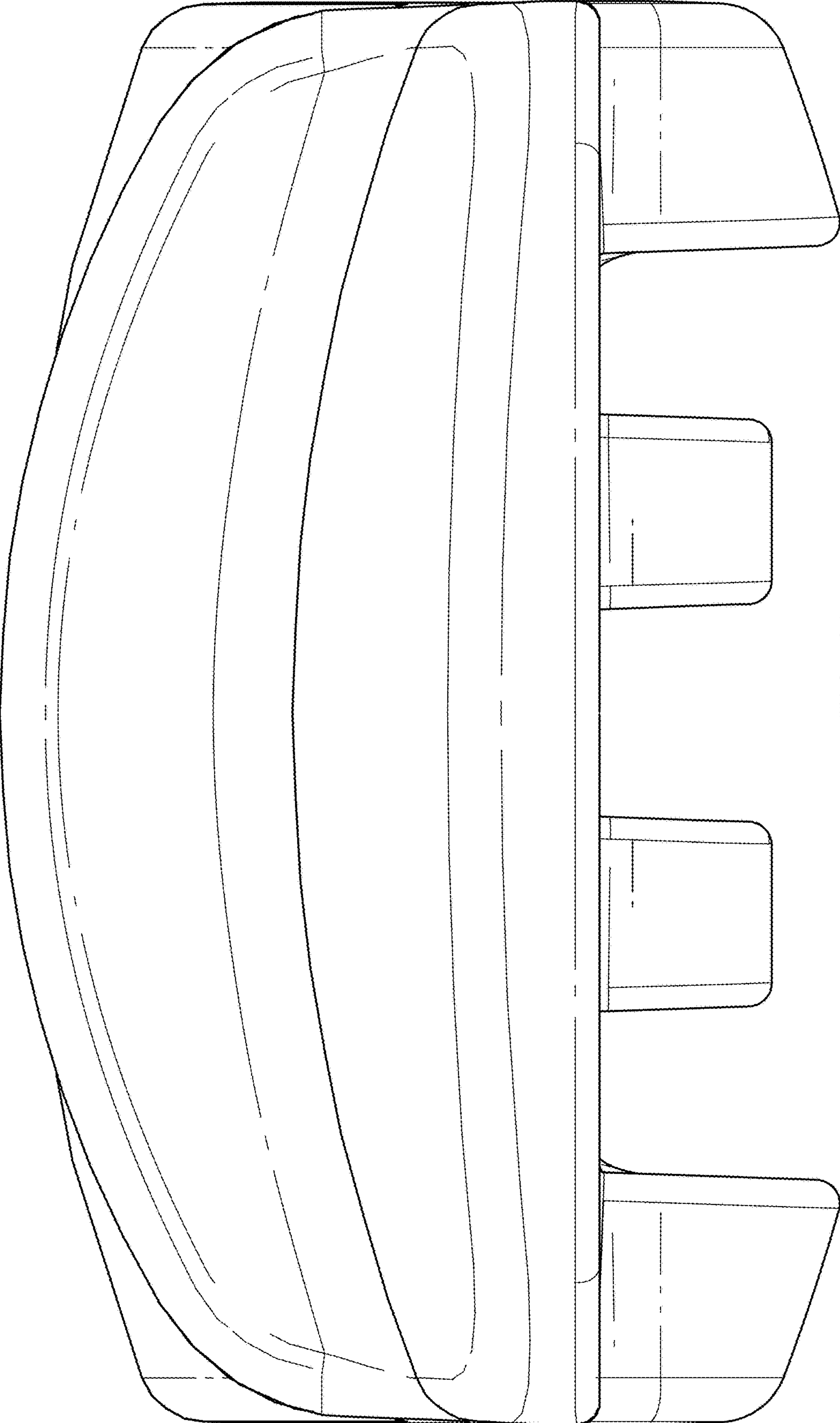


FIG. 14

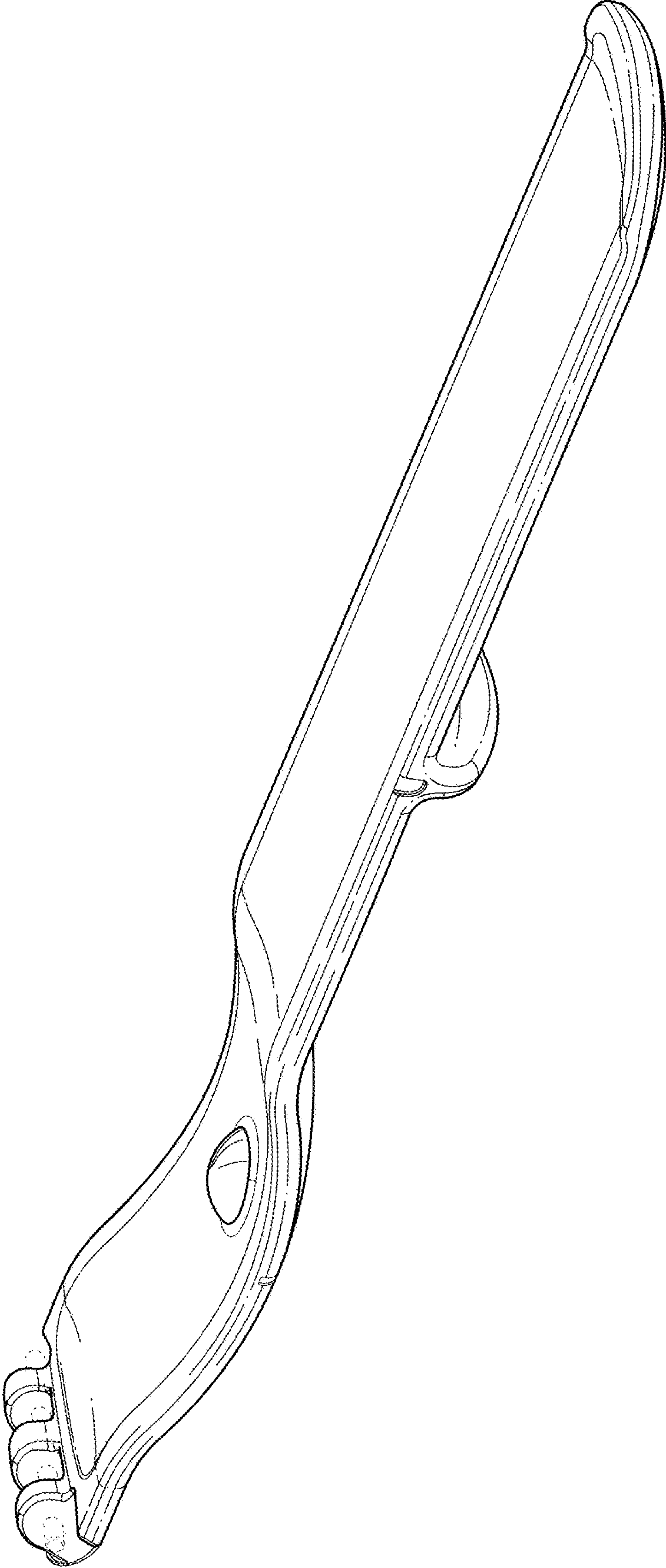


FIG. 15

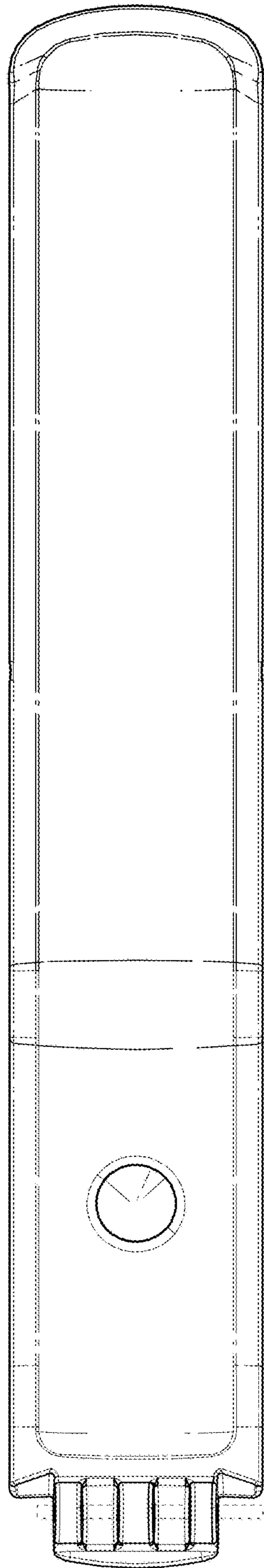


FIG. 16

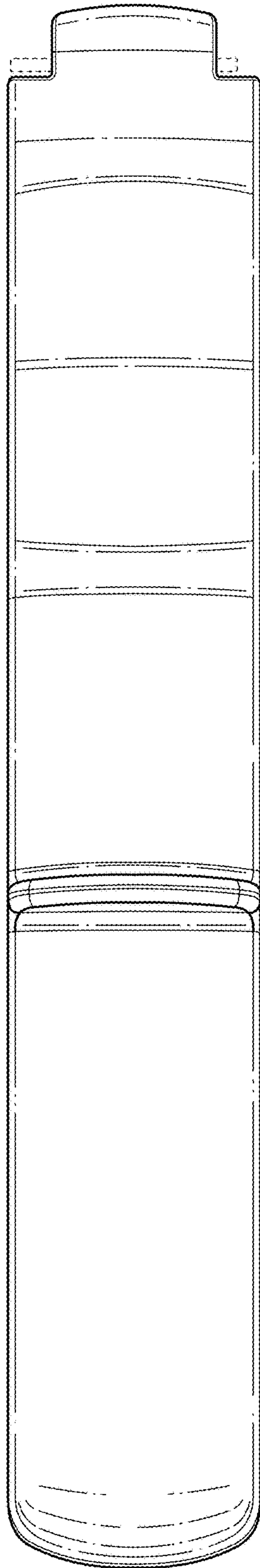


FIG. 17

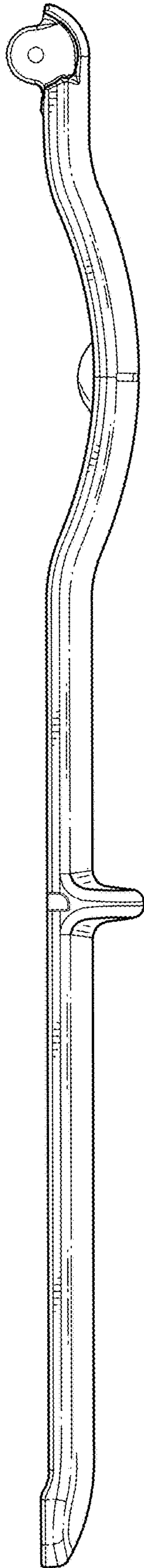


FIG. 18

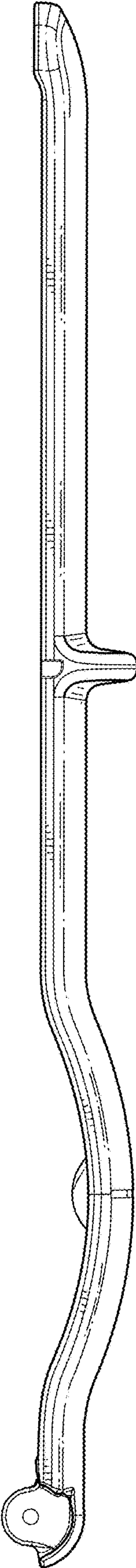


FIG. 19

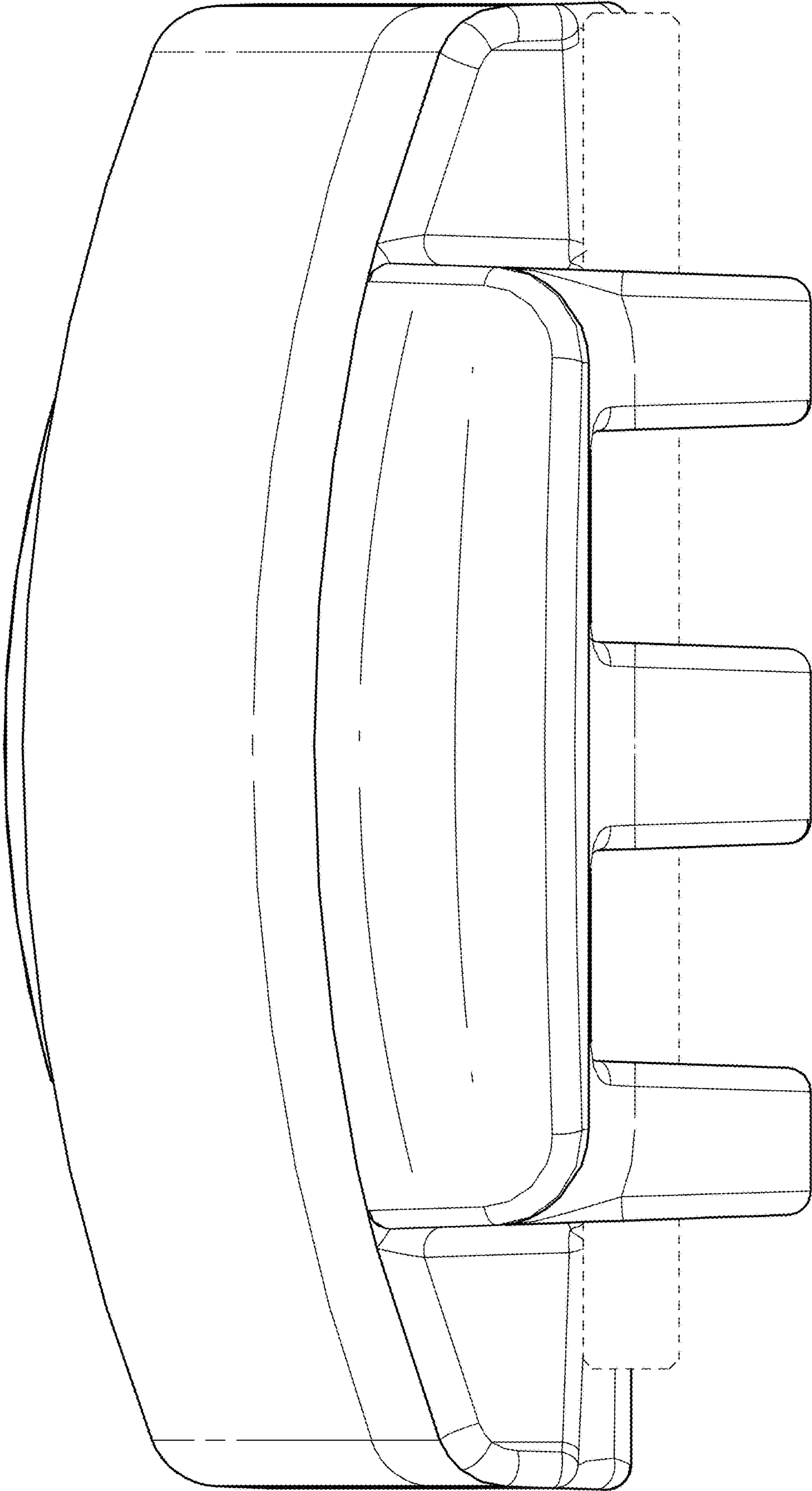


FIG. 20

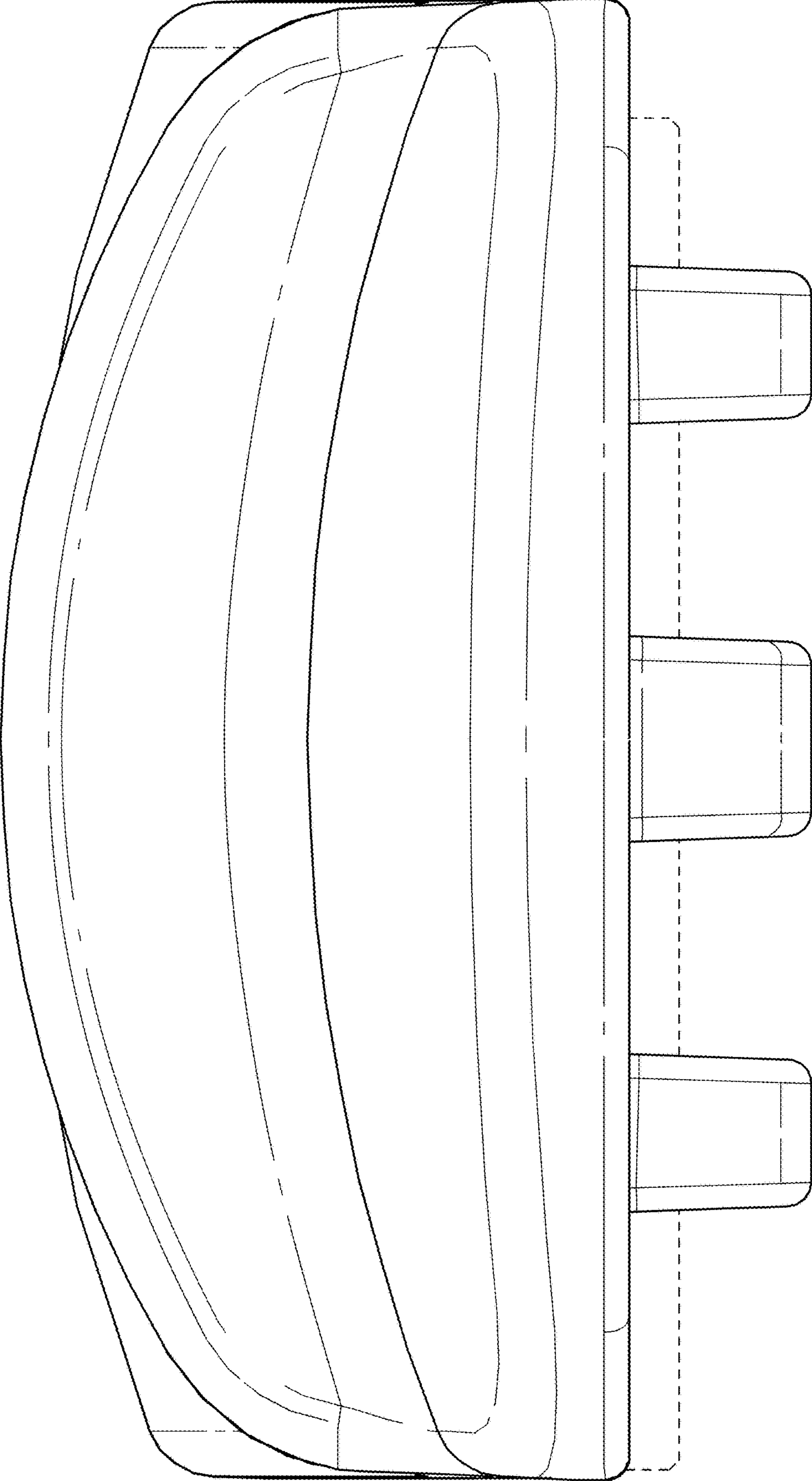


FIG. 21

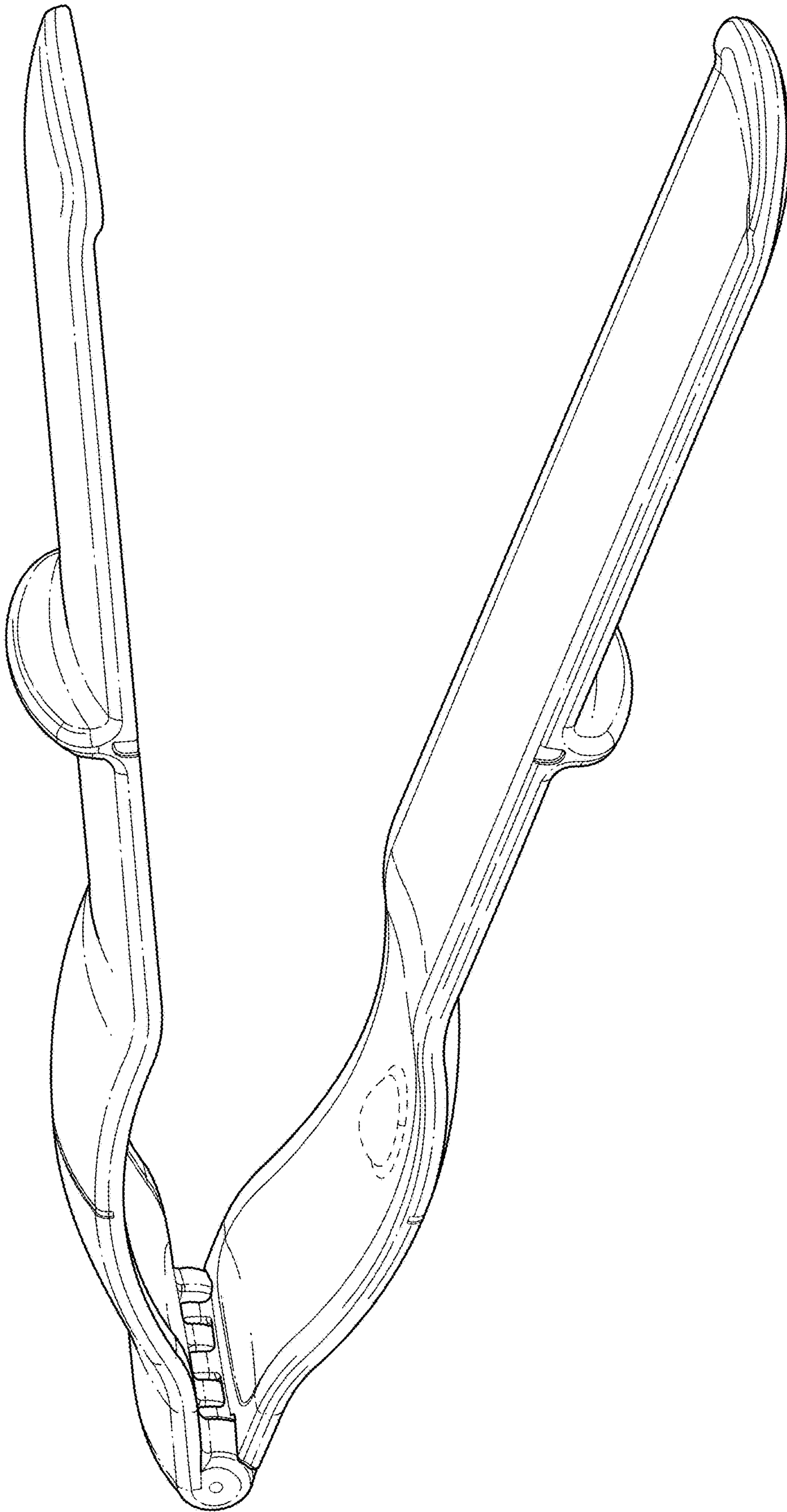


FIG. 22

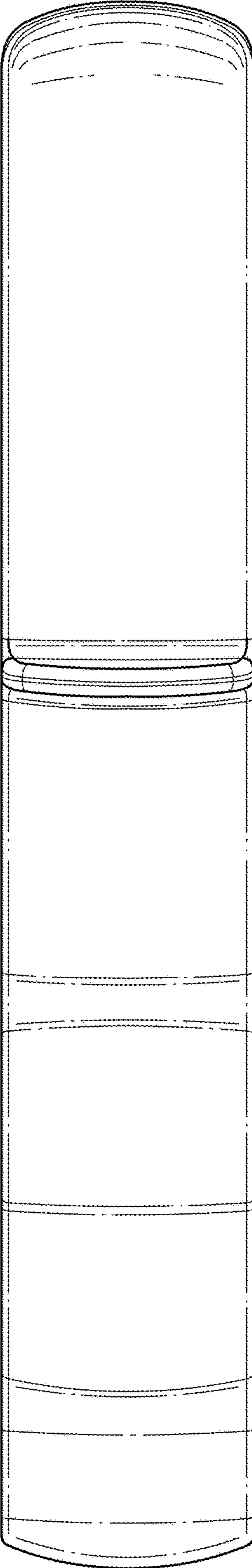


FIG. 23

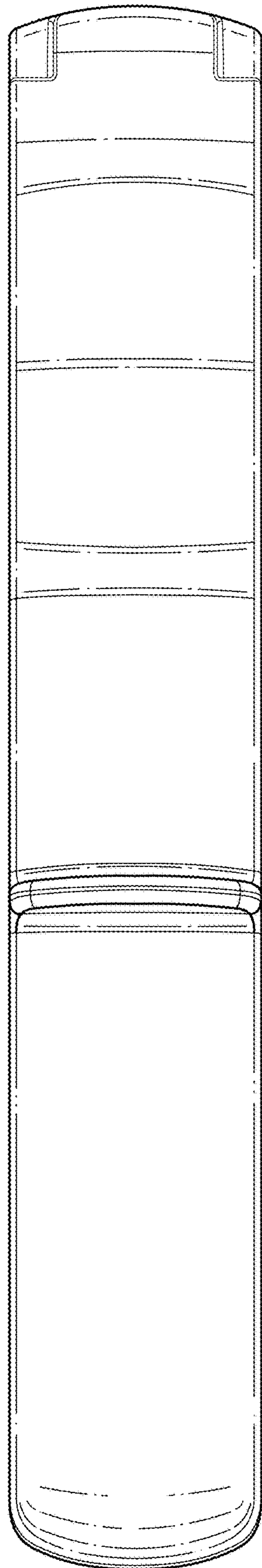


FIG. 24

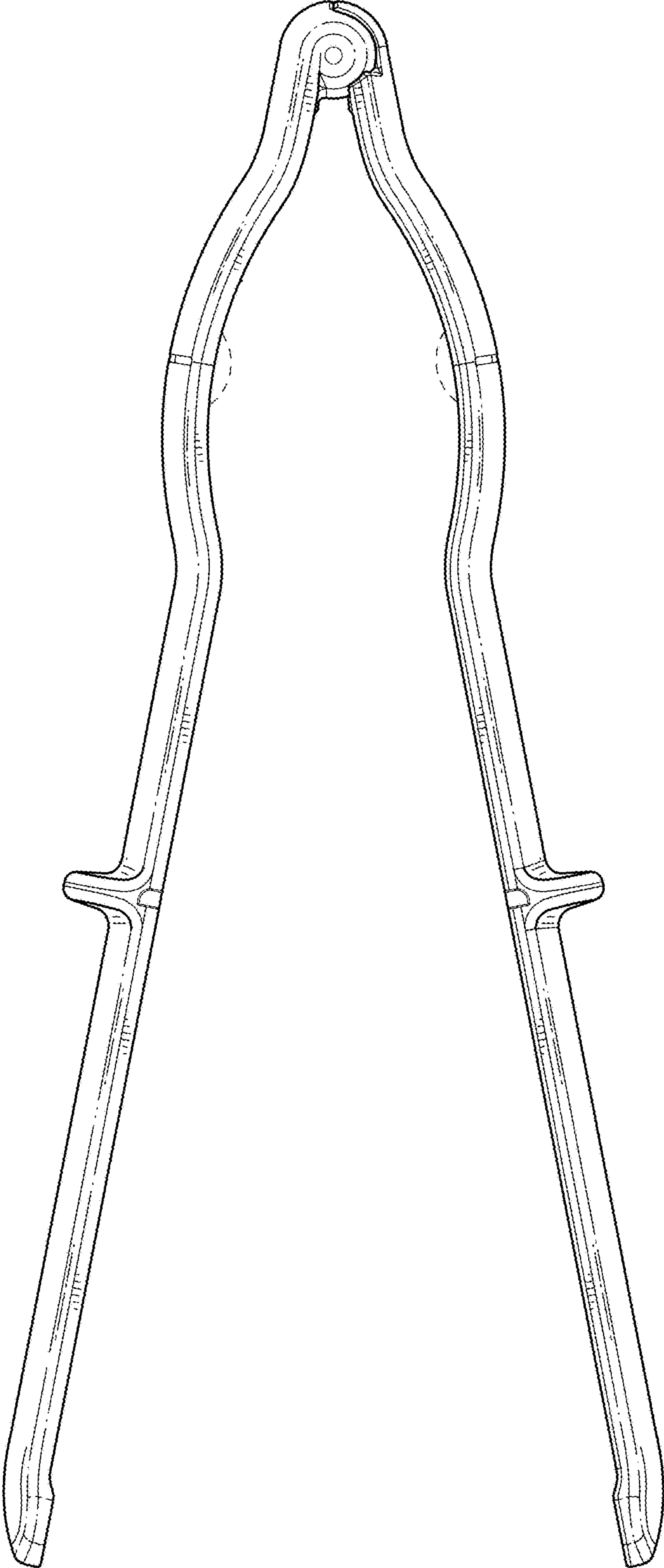


FIG. 25

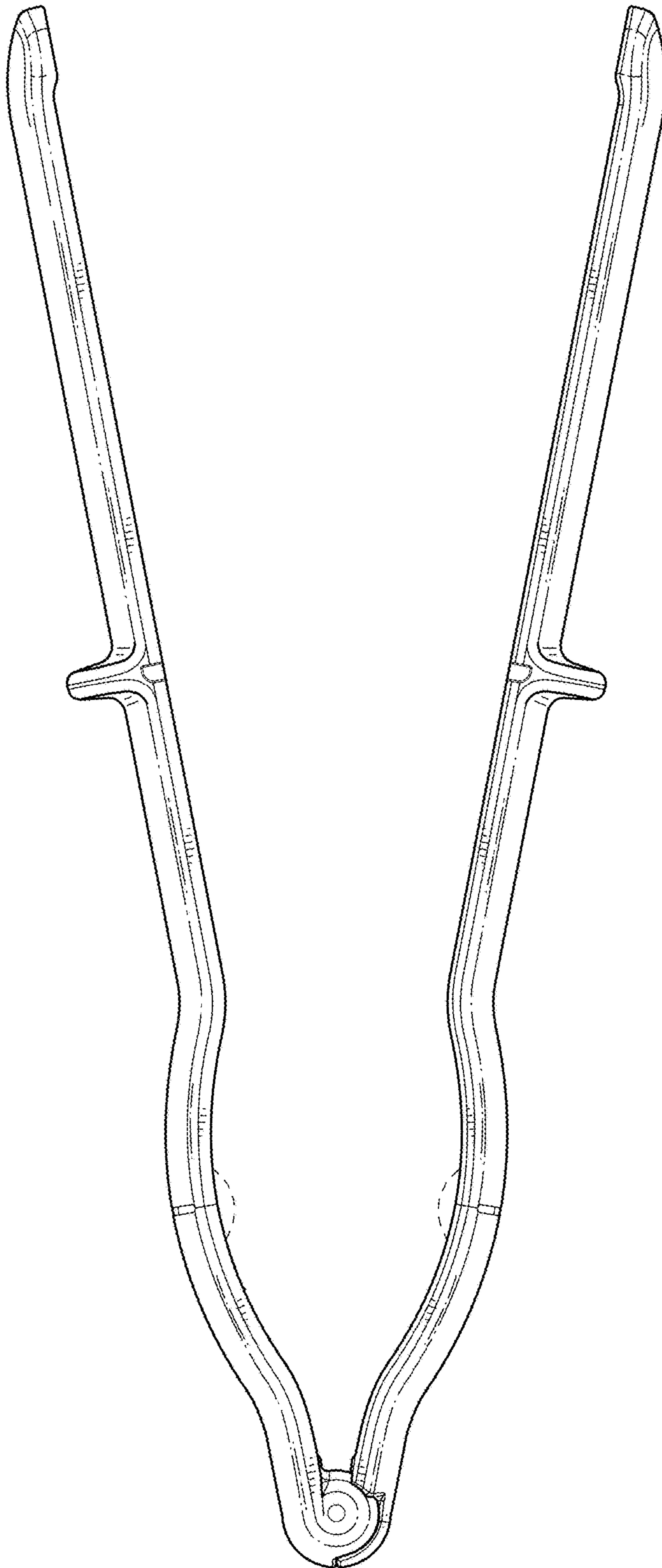


FIG. 26

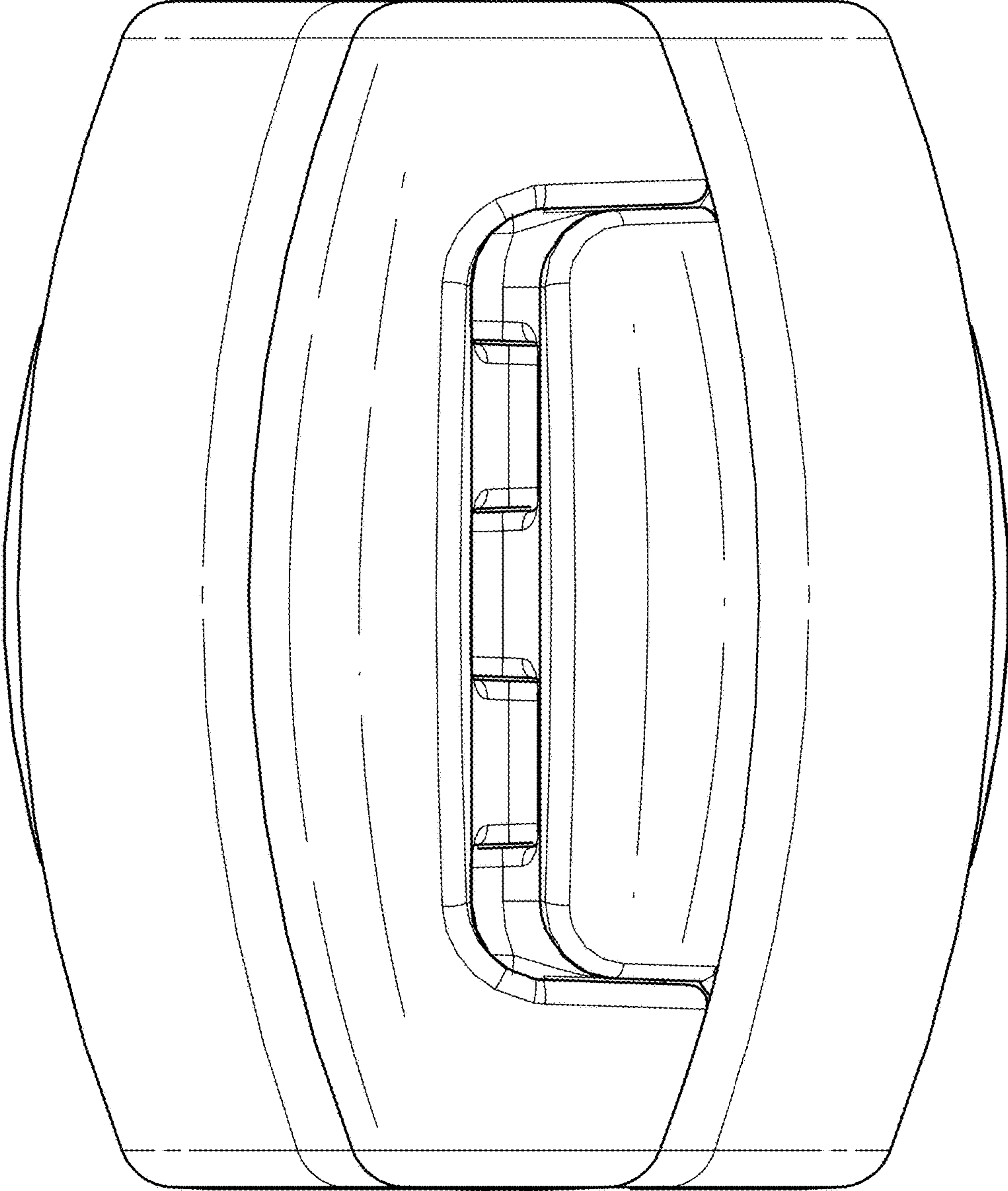


FIG. 27

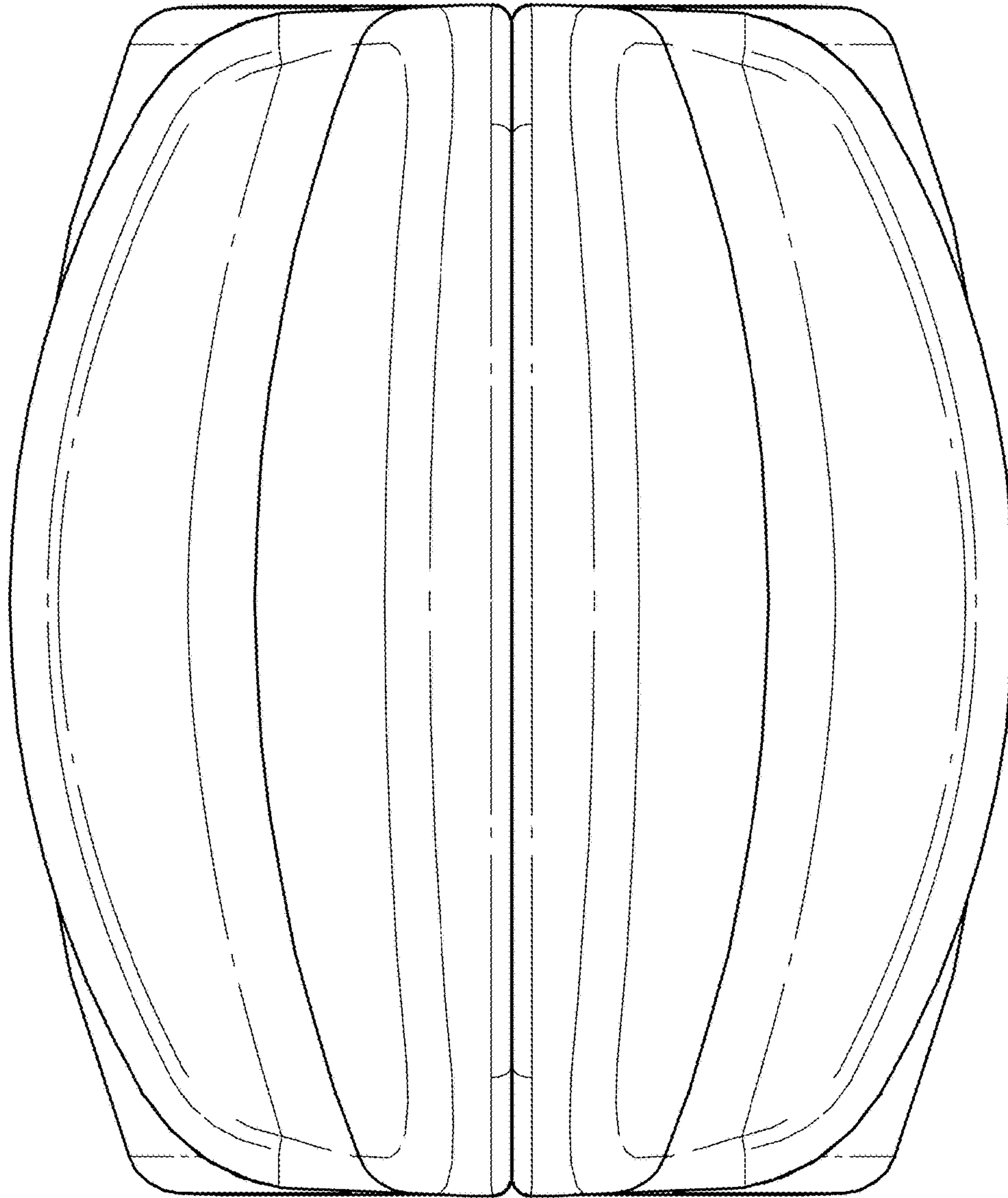


Fig. 28

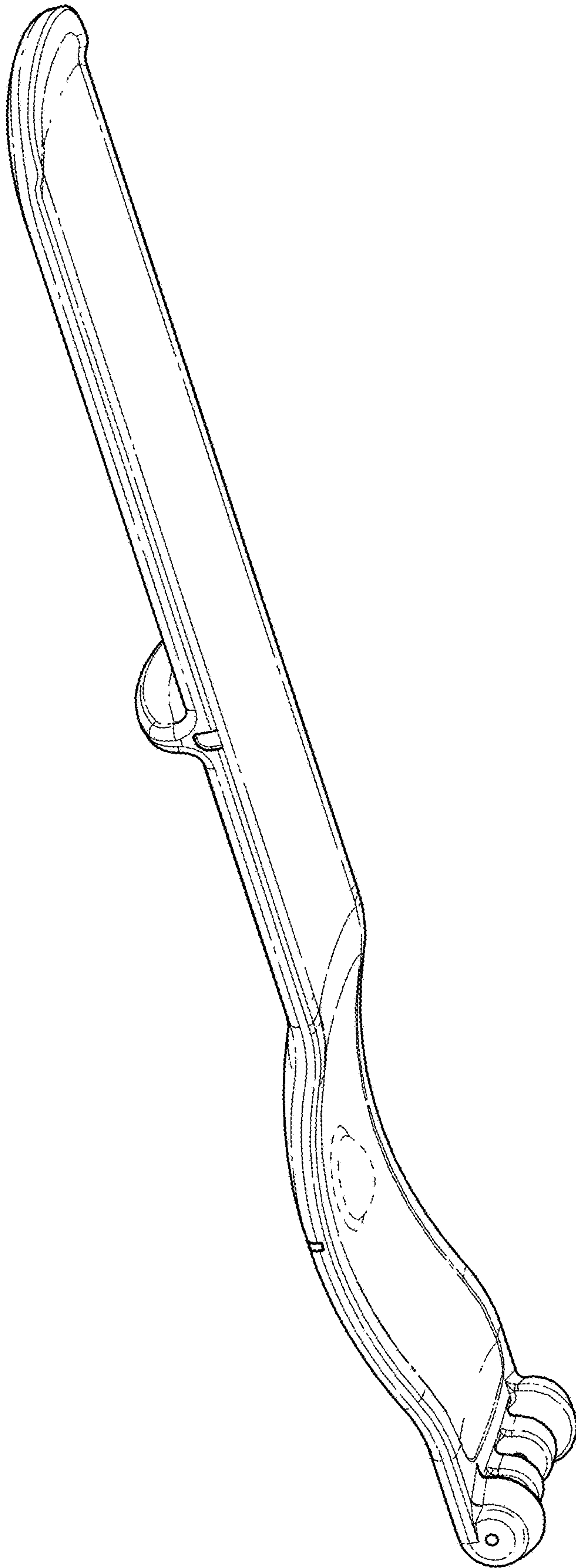


FIG. 29

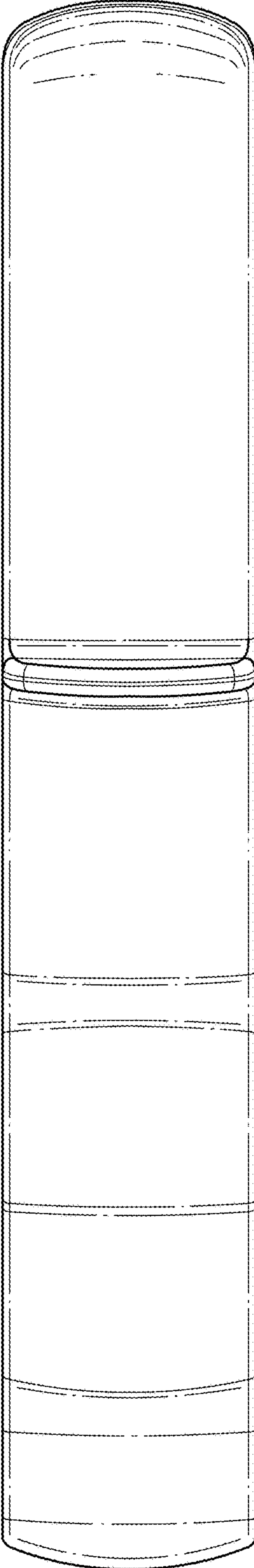


FIG. 30

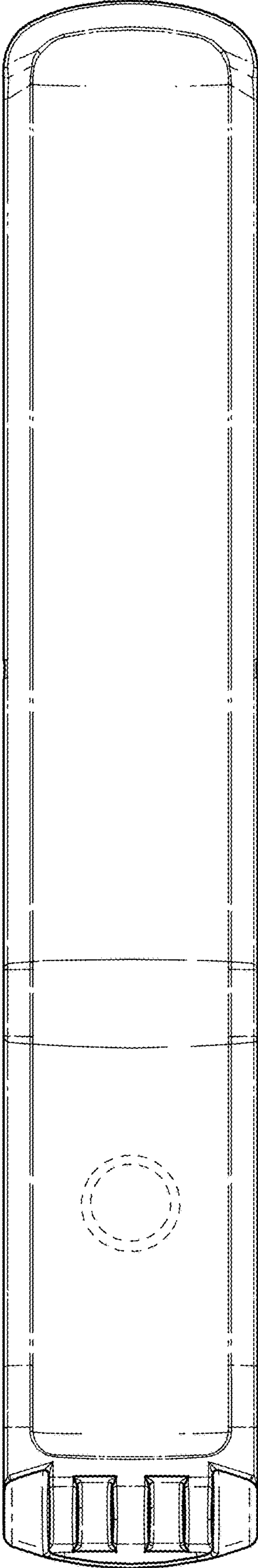


FIG. 31

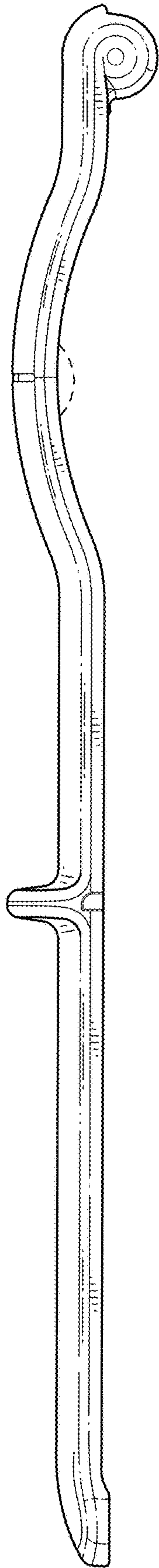


FIG. 32

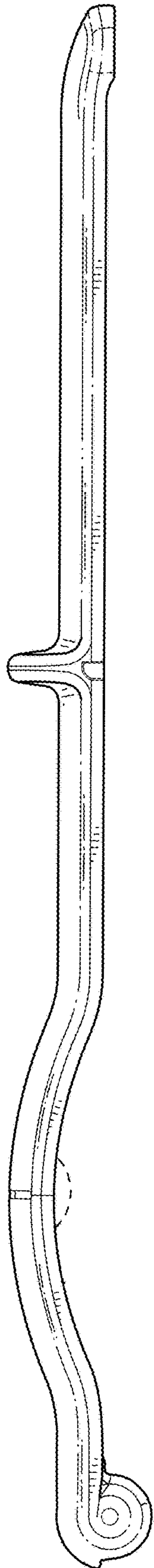


FIG. 33

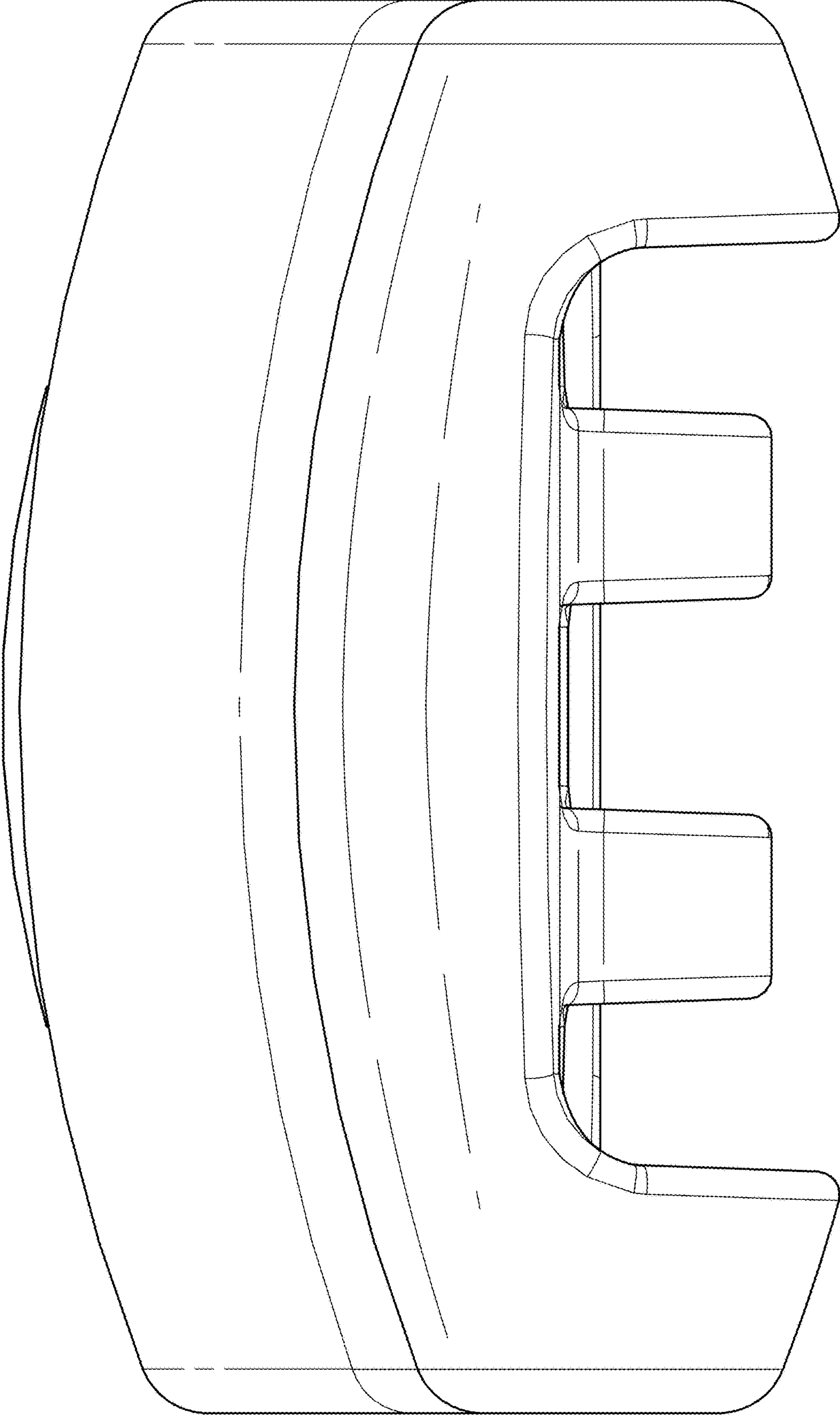


FIG. 34

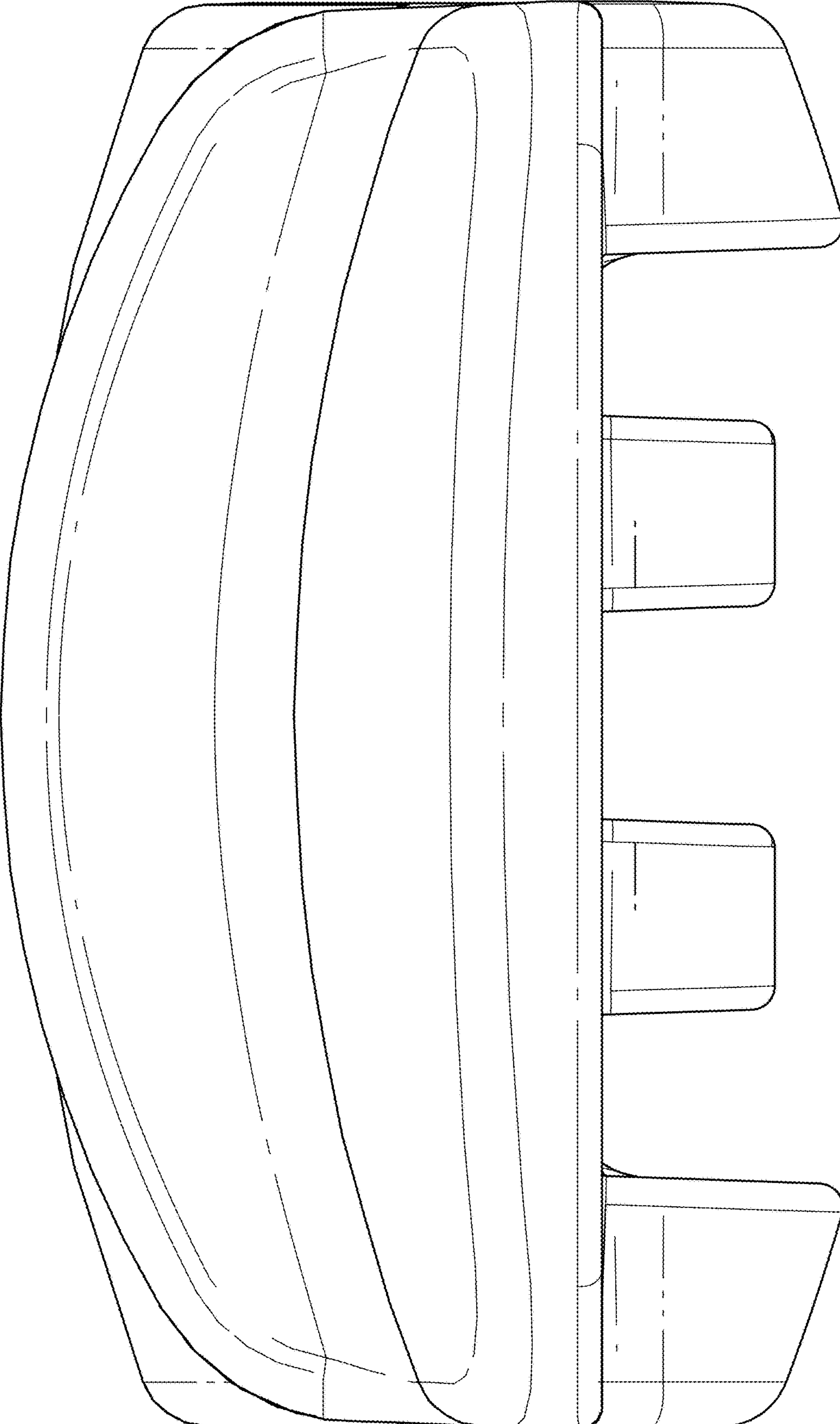


FIG. 35

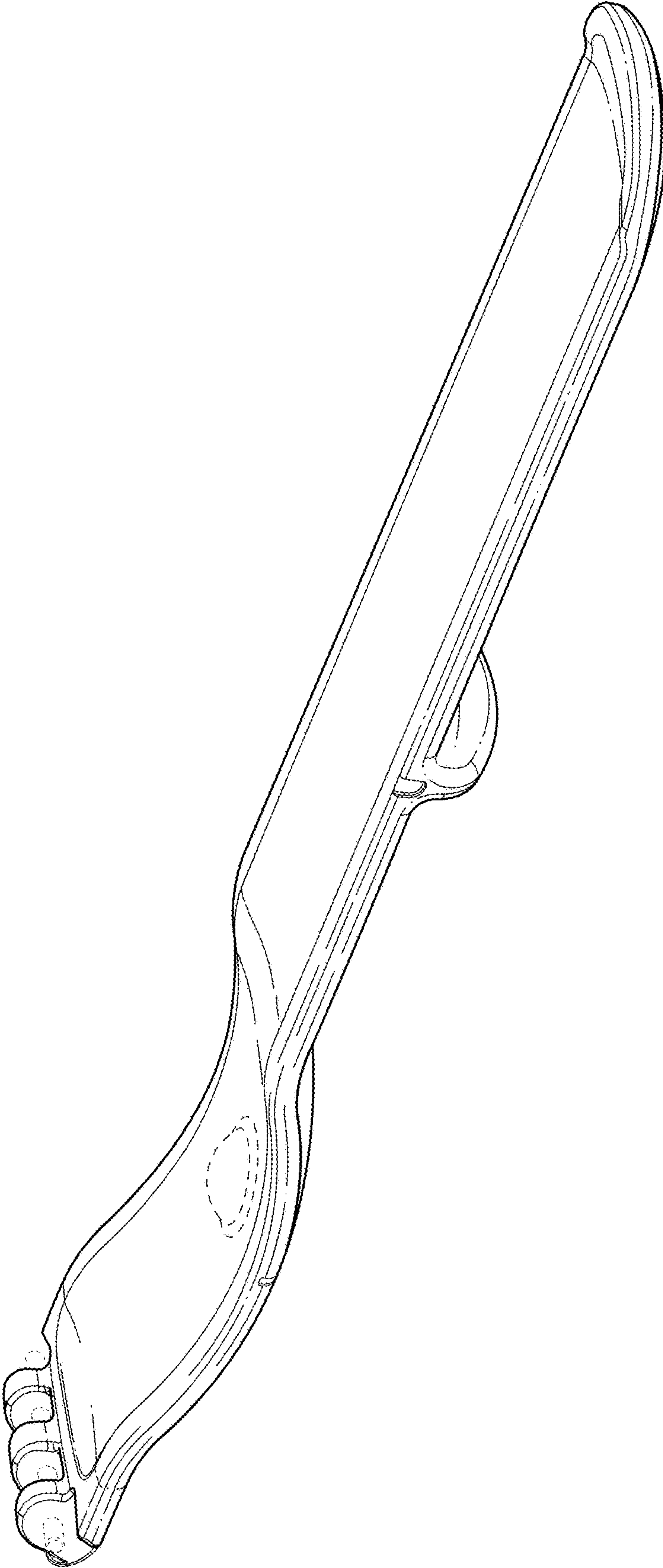


FIG. 36

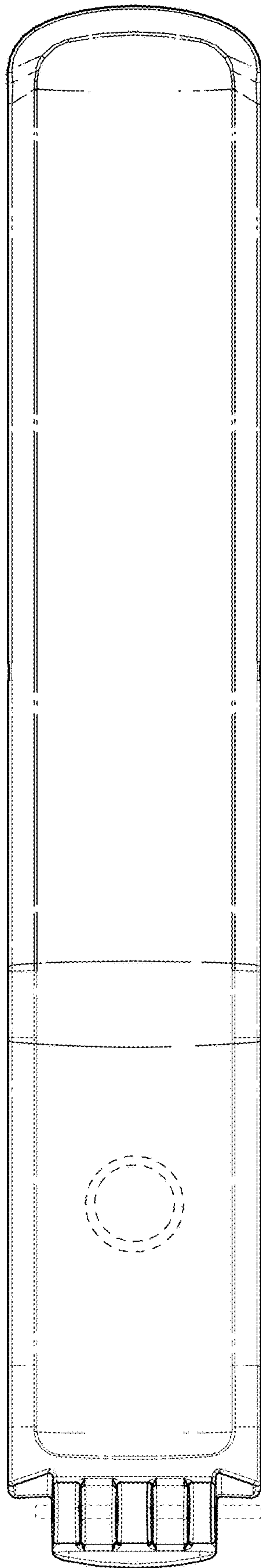


FIG. 37

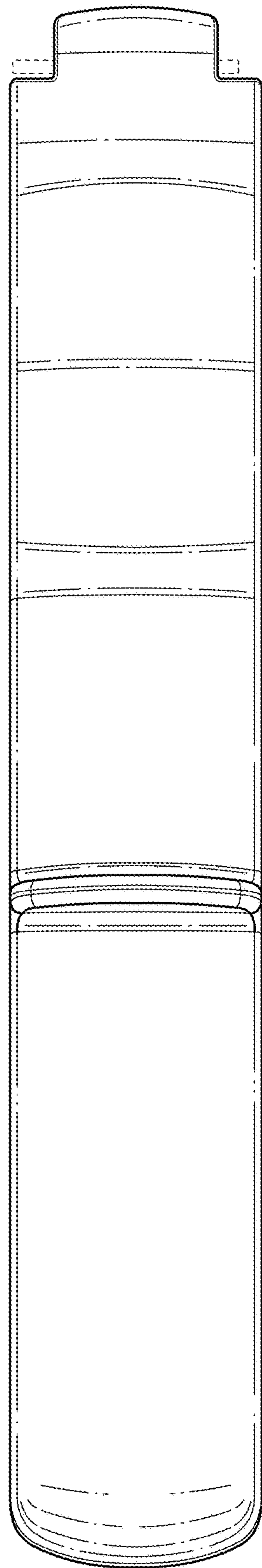


FIG. 38

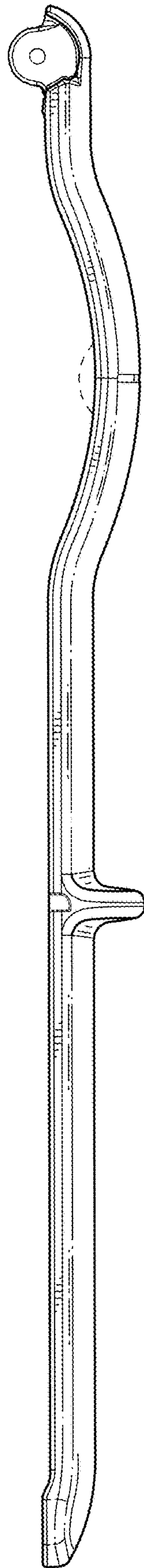


FIG. 39

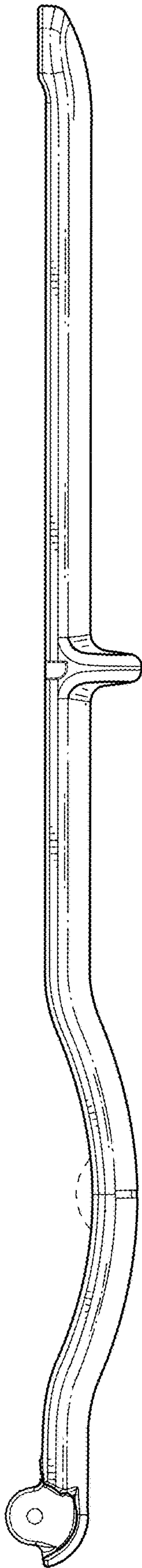


FIG. 40

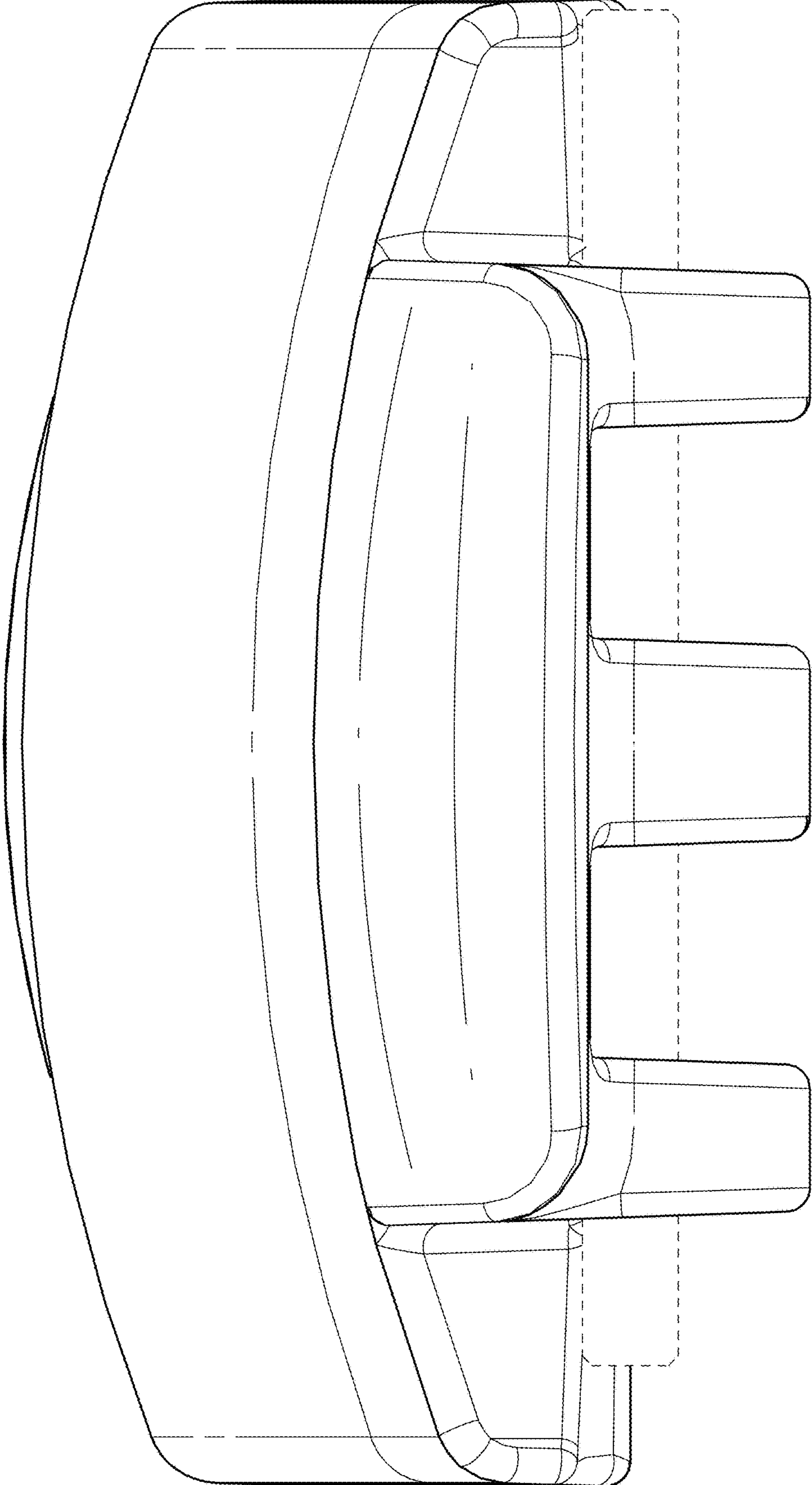


FIG. 41

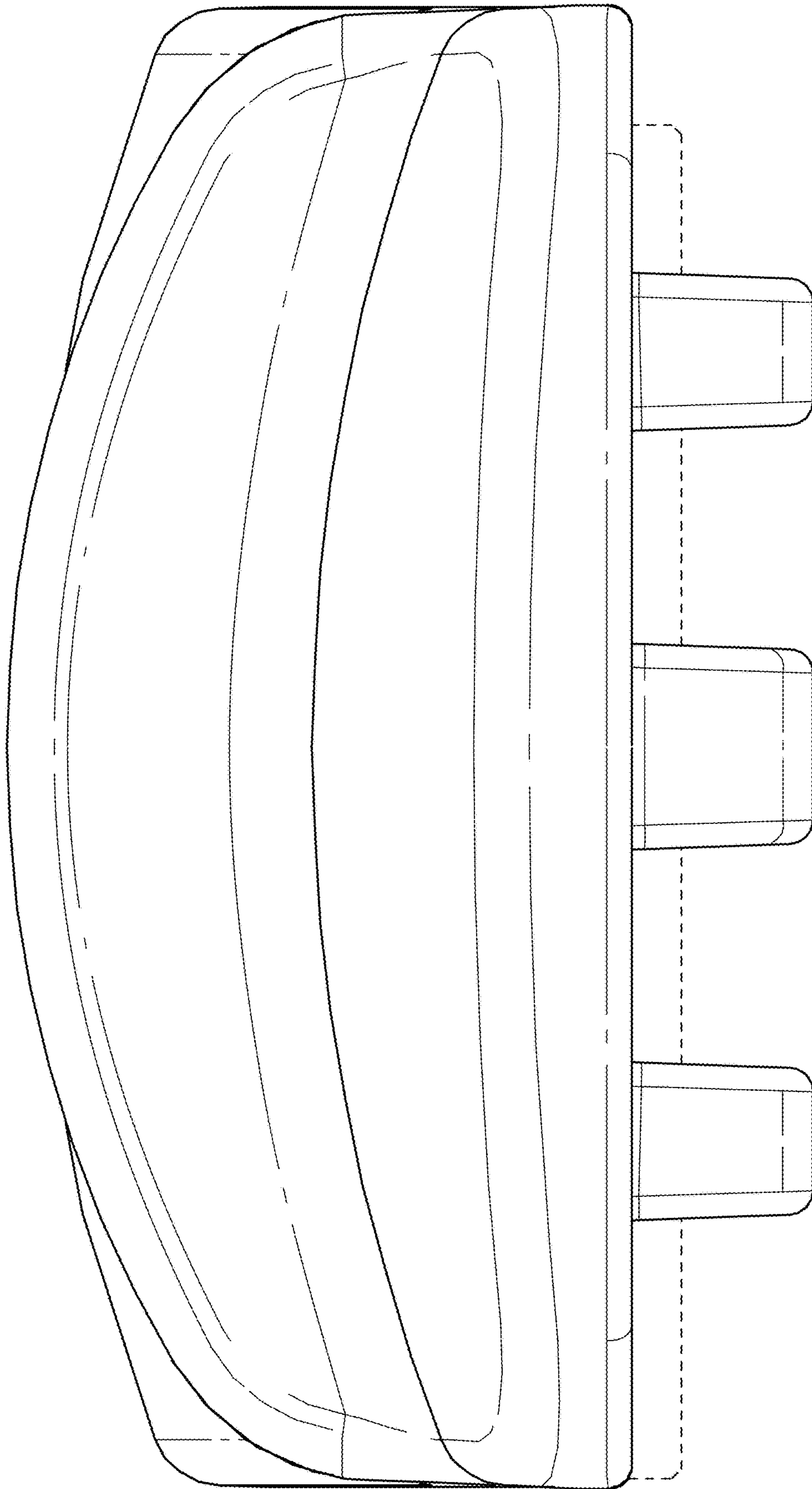


FIG. 42