



US00D831762S

(12) **United States Design Patent** (10) **Patent No.:** **US D831,762 S**
Donnelly et al. (45) **Date of Patent:** **** Oct. 23, 2018**

(54) **COMBINED WORKOUT AND STORAGE BENCH**

5,997,442 A 12/1999 Cordes
D423,237 S * 4/2000 Chang D6/336
D435,982 S * 1/2001 Gardner D6/671.2
6,454,683 B1 9/2002 Kaye
D502,023 S * 2/2005 Anderson D6/336
7,601,101 B2 * 10/2009 Jackson A63B 21/04
482/142

(71) Applicants: **John Robert Donnelly**, Shorewood, WI (US); **Tyler Steven William Danen**, Oconomowoc, WI (US); **David Thomas Rutledge**, Delafield, WI (US)

(Continued)

(72) Inventors: **John Robert Donnelly**, Shorewood, WI (US); **Tyler Steven William Danen**, Oconomowoc, WI (US); **David Thomas Rutledge**, Delafield, WI (US)

Primary Examiner — Cynthia Ramirez
Assistant Examiner — Michael A Maharajh
(74) *Attorney, Agent, or Firm* — Quickpatents, LLC; Kevin Prince

(73) Assignee: **FITBENCH LLC**, Oconomowoc, WI (US)

(57) **CLAIM**

The ornamental design for a combined workout and storage bench, as shown and described.

(**) Term: **15 Years**

DESCRIPTION

(21) Appl. No.: **29/581,845**

(22) Filed: **Oct. 21, 2016**

(51) **LOC (11) Cl.** **21-02**

(52) **U.S. Cl.**
USPC **D21/690**

(58) **Field of Classification Search**
USPC 482/52, 92, 94, 130, 142, 148; D6/328, D6/329, 334, 336, 552, 675, 691, 671.2; D21/686, 690, 695
CPC A63B 23/0458; A63B 21/078; A63B 21/4029

See application file for complete search history.

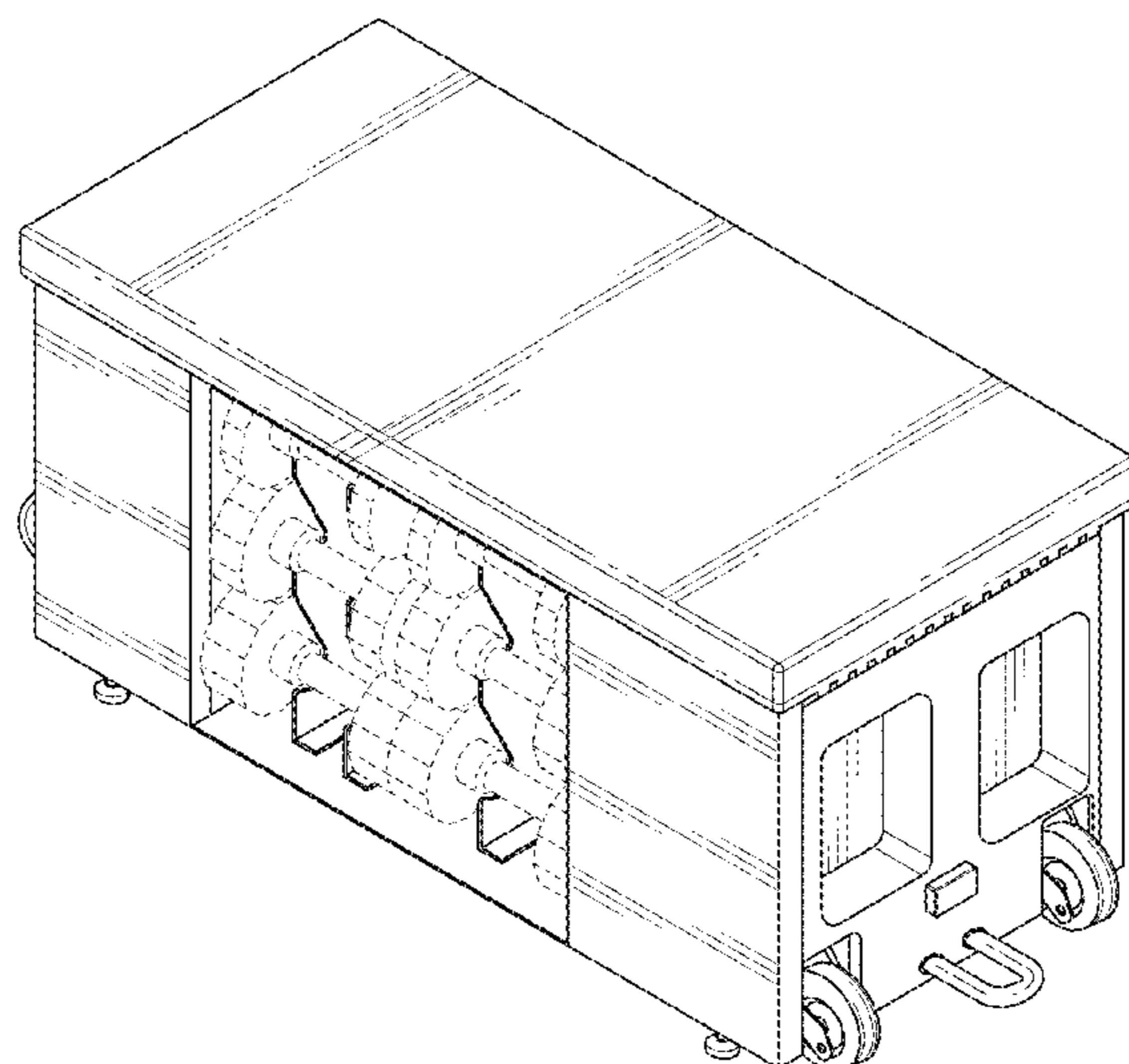
FIG. 1 is a front left perspective view of the combined workout and storage bench showing our new design; FIG. 2 is a rear left perspective view of FIG. 1; FIG. 3 is a front elevational view of FIG. 1; FIG. 4 is a rear elevational view of FIG. 1; FIG. 5 is a left-side elevational view of FIG. 1, the right-side elevational view being a mirror image thereof; FIG. 6 is a perspective right view of FIG. 1; FIG. 7 is a top plan view of FIG. 1; FIG. 8 is a bottom plan view of FIG. 1; FIG. 9 is a front left perspective view thereof, illustrated with the bench portion in a raised position; FIG. 10 is a rear perspective view of FIG. 9; FIG. 11 is a left-side elevational view of FIG. 9; and, FIG. 12 is a rear elevational view of FIG. 9. The dumbbells shown in broken lines in FIGS. 1, 6 and 9 are for the purpose of illustrating environmental structure which form no part of the claimed design. The remaining broken lines shown in drawings are for the purpose of illustrating portions of the combined workout and storage bench, which form no part of the claimed design.

(56) **References Cited**

U.S. PATENT DOCUMENTS

D245,297 S * 8/1977 Curtin D6/336
4,477,074 A 10/1984 Bushnell
5,316,528 A * 5/1994 Ziparo A63B 21/4029
482/142
D349,610 S * 8/1994 Scott, Jr. D6/336
5,575,742 A * 11/1996 Wu A63B 23/0211
482/142
D405,987 S * 2/1999 Kuehn D6/675

1 Claim, 9 Drawing Sheets



(56)

References Cited

U.S. PATENT DOCUMENTS

7,614,998	B2	11/2009	Kiser	
7,651,452	B2	1/2010	Weir et al.	
8,696,531	B1 *	4/2014	Spiller	A47C 9/002 482/129
D703,971	S *	5/2014	Parisi	D6/552
D705,574	S *	5/2014	Reid	D6/552
9,770,618	B2 *	9/2017	Wall	A63B 21/0557
D799,862	S *	10/2017	Laumerich	D6/675
2003/0186786	A1	10/2003	Hsu	
2003/0224915	A1 *	12/2003	Charoenchit	A61H 1/0214 482/148
2004/0082441	A1 *	4/2004	Kastelic	A63B 23/0458 482/52
2005/0164855	A1 *	7/2005	Li	A63B 23/0458 482/142
2013/0023392	A1 *	1/2013	Glickfield	A63B 17/04 482/142
2015/0141218	A1 *	5/2015	Magrella	A63B 21/4023 482/130
2017/0100622	A1 *	4/2017	Wall	A63B 21/0552

* cited by examiner

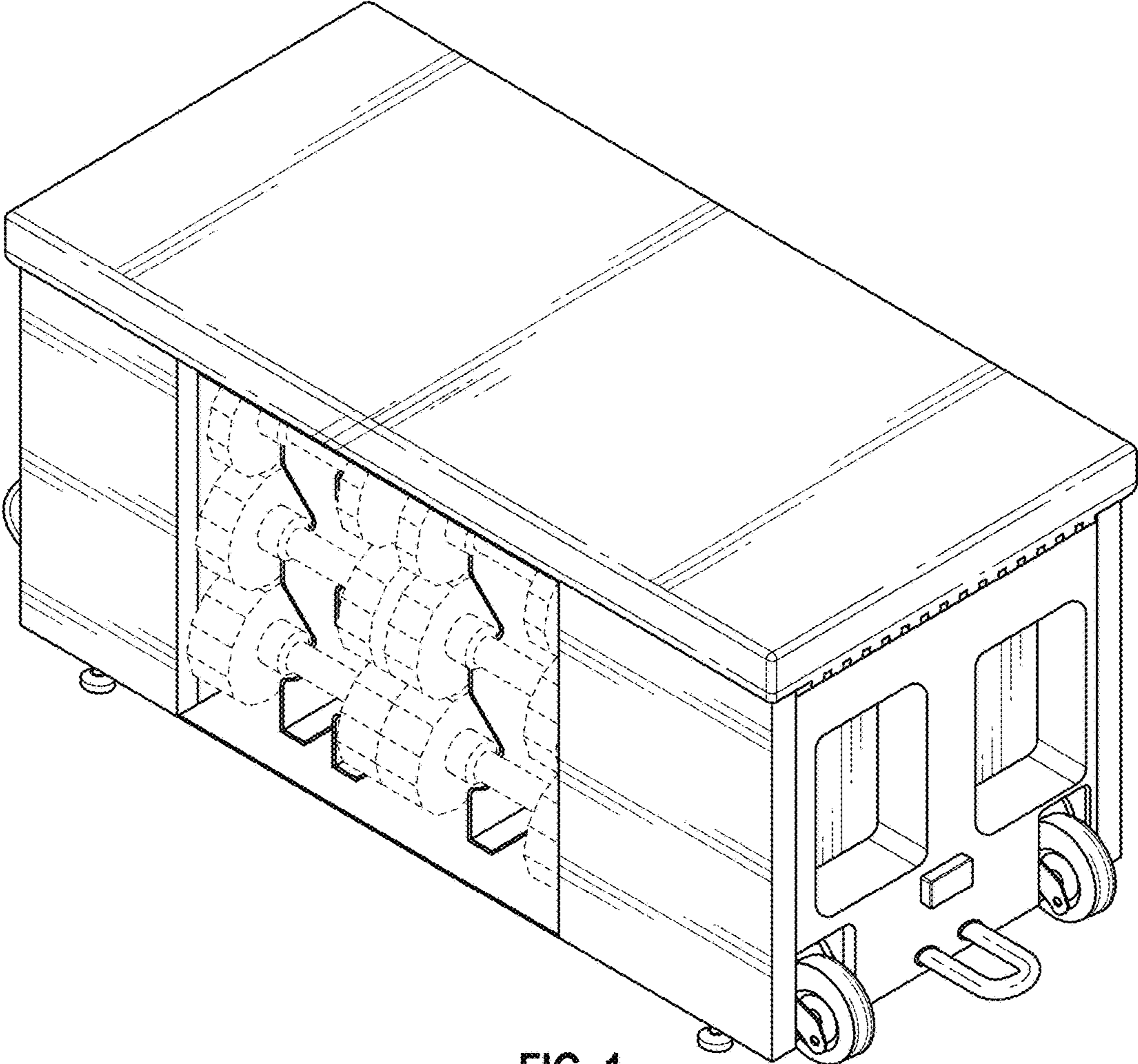


FIG. 1

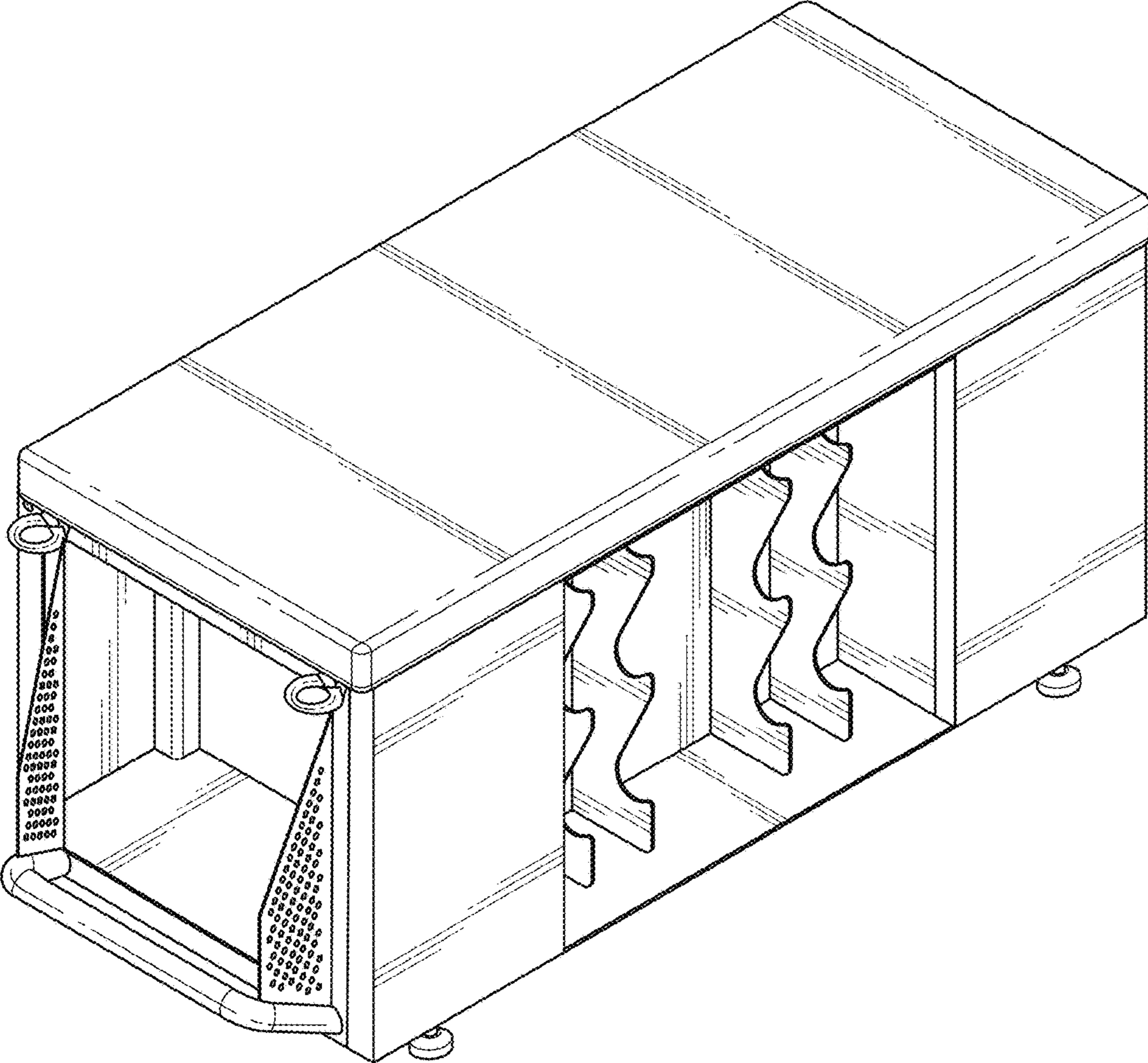


FIG. 2

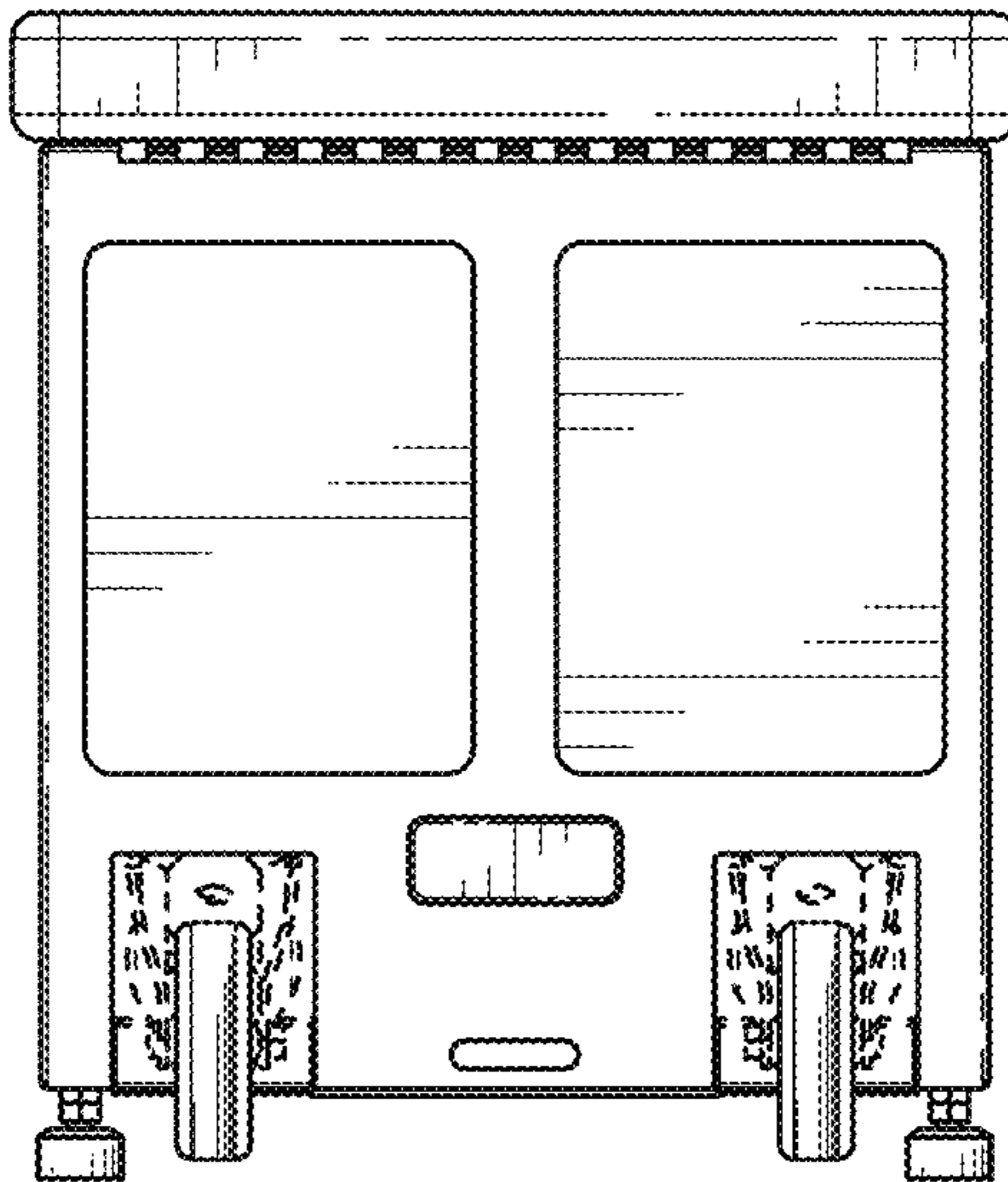


FIG. 3

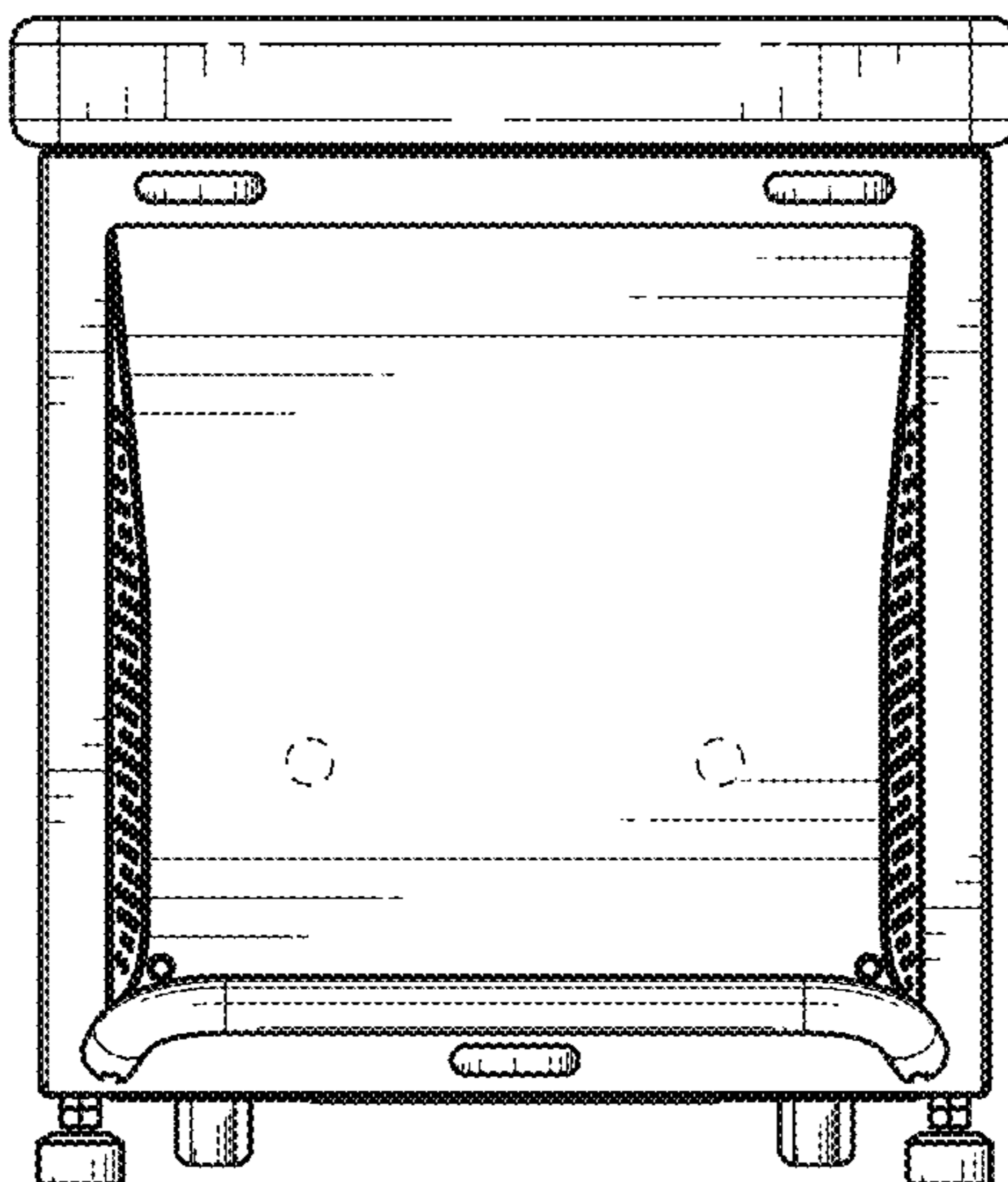


FIG. 4

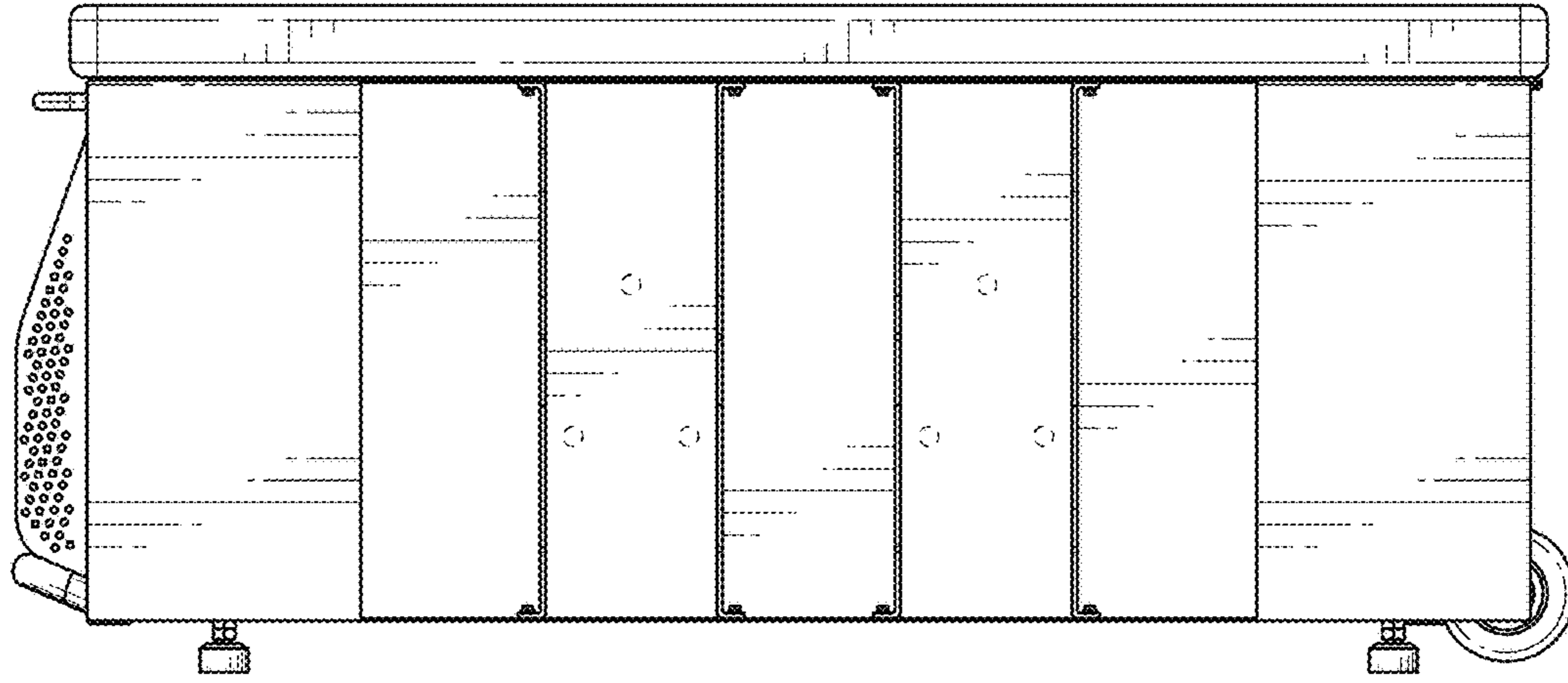


FIG. 5

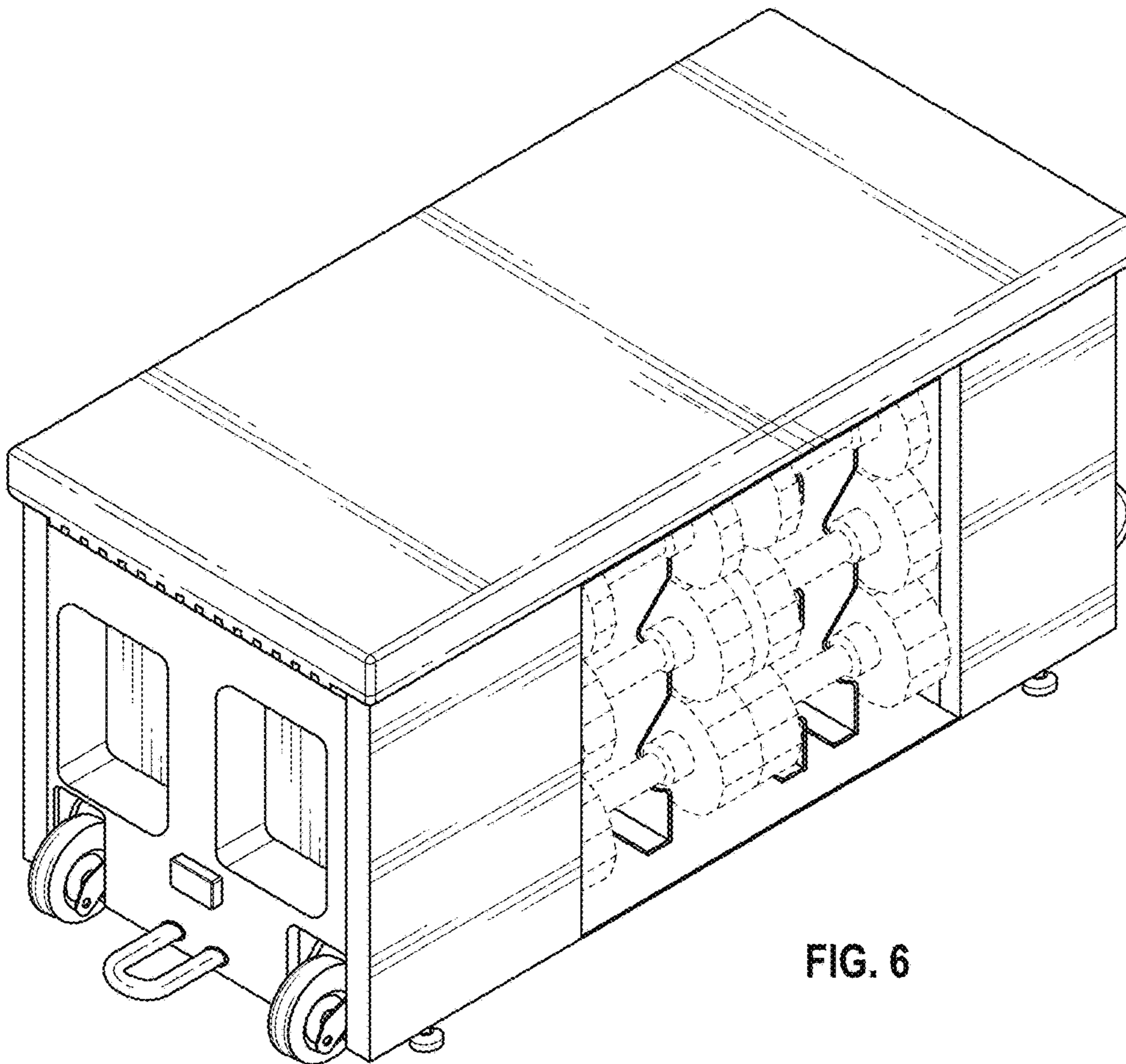


FIG. 6

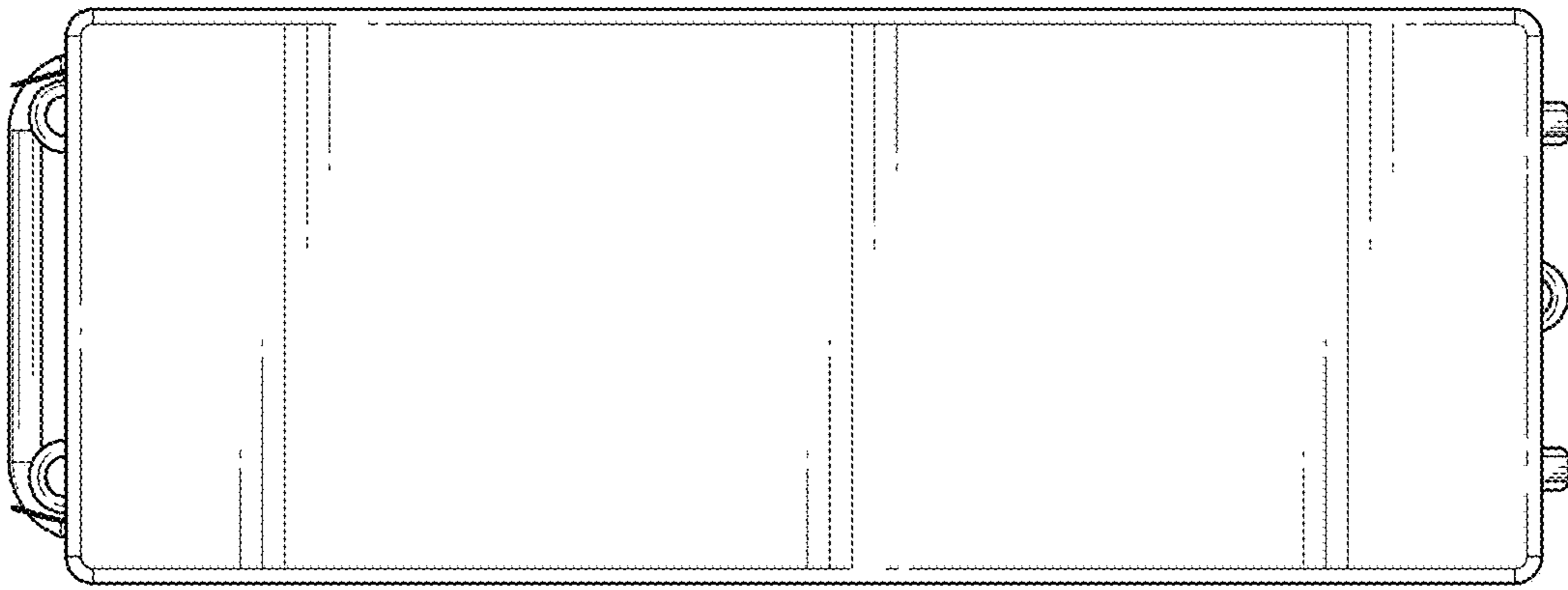


FIG. 7

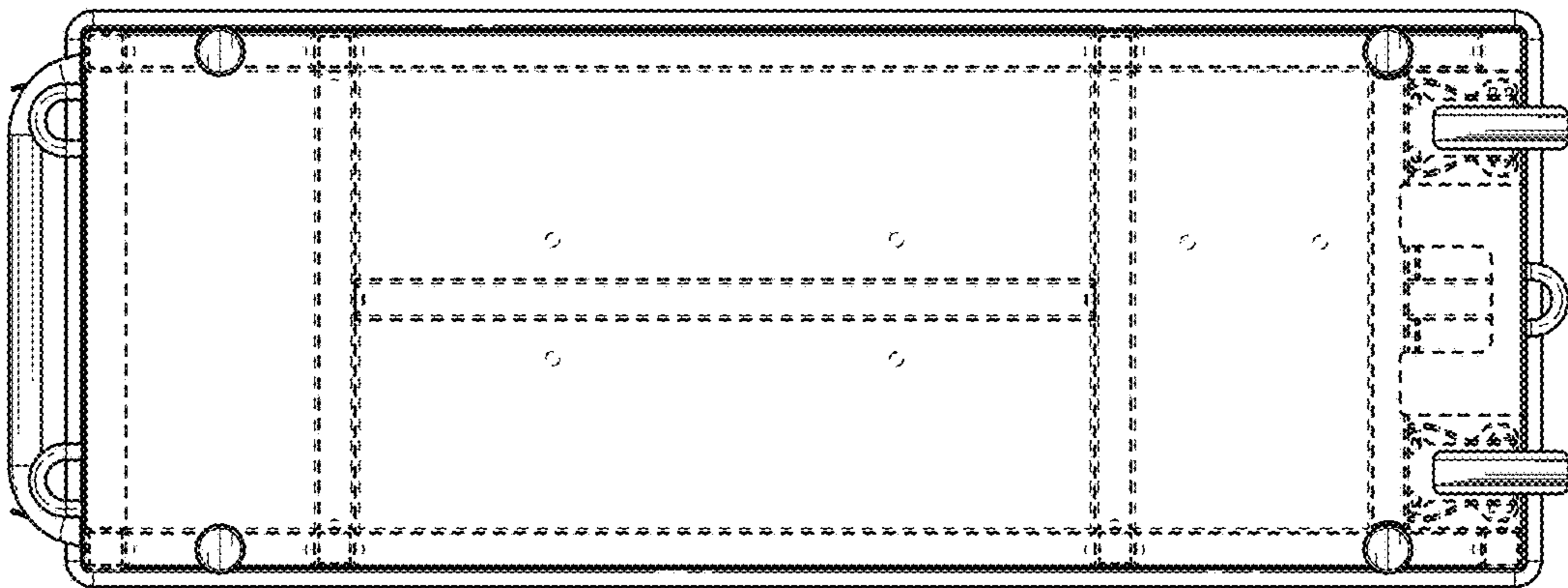


FIG. 8

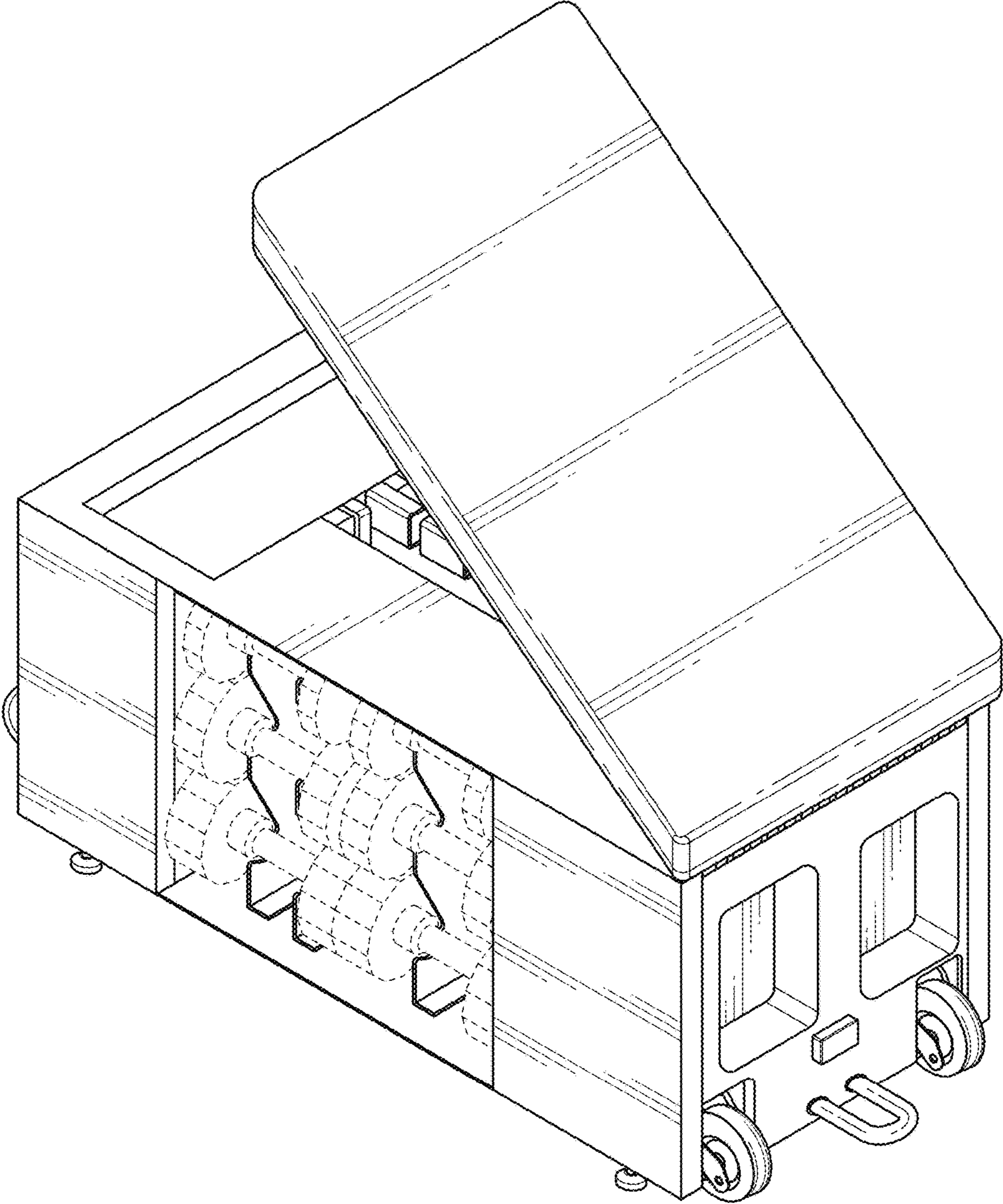


FIG. 9

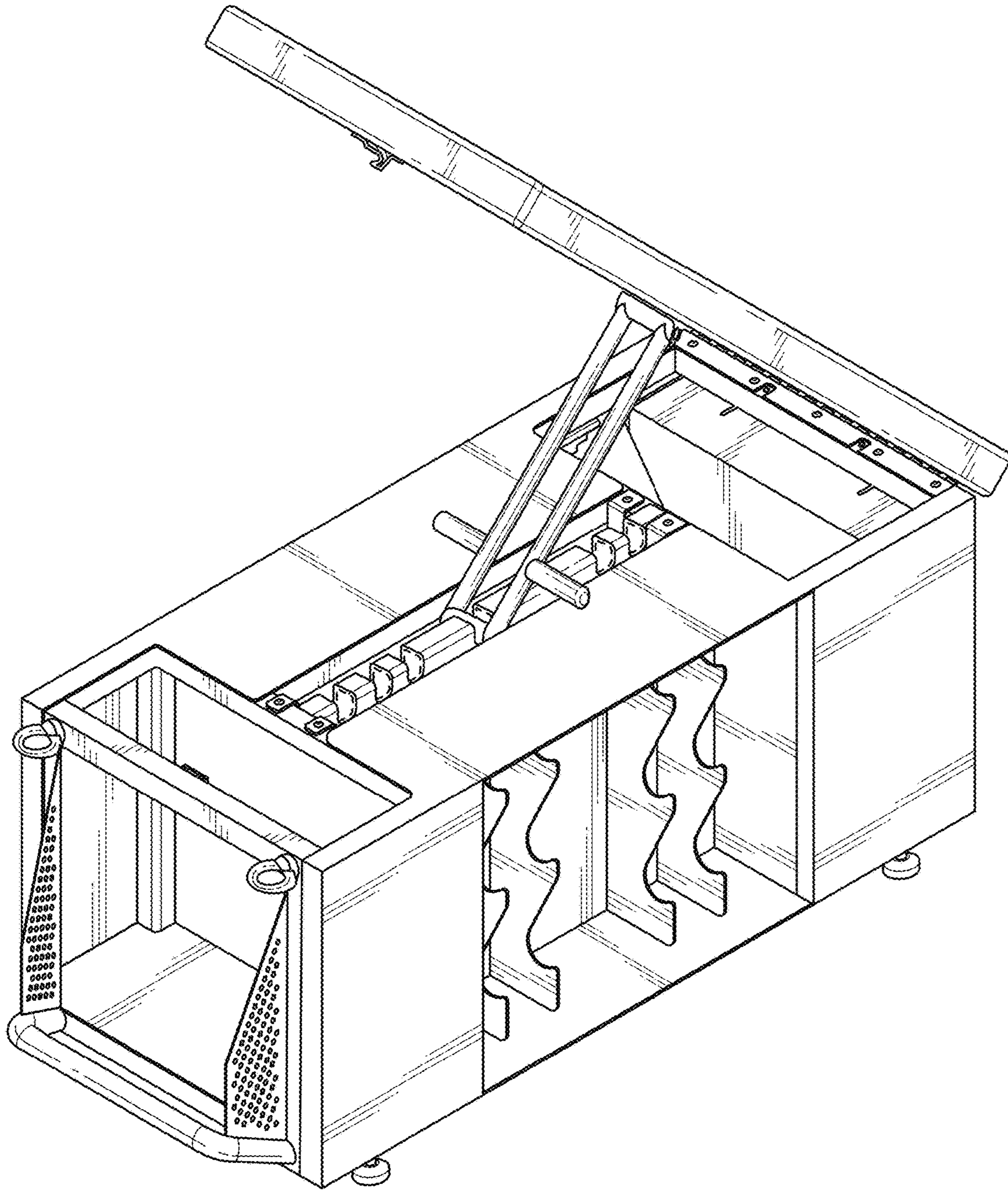


FIG. 10

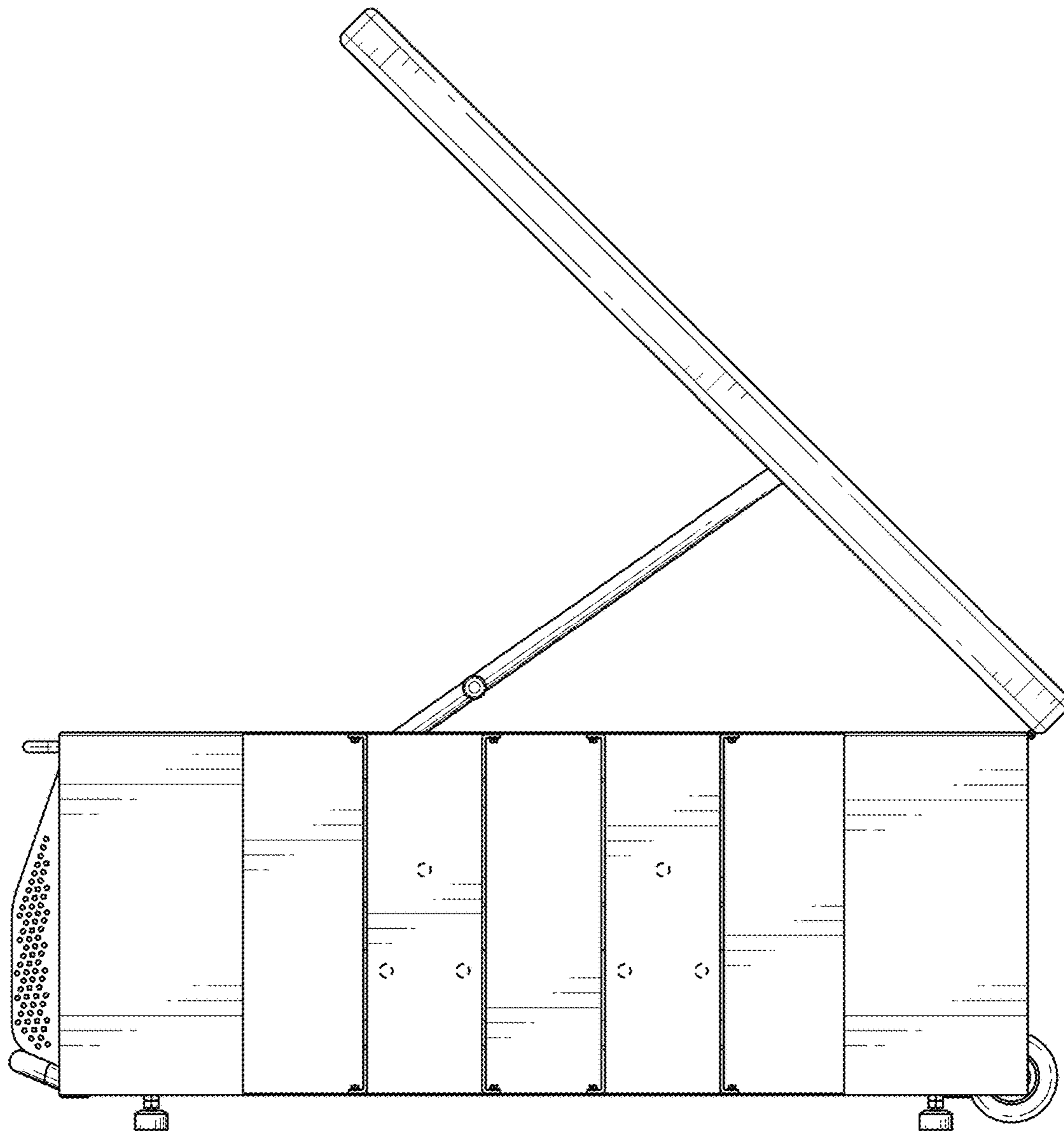


FIG. 11

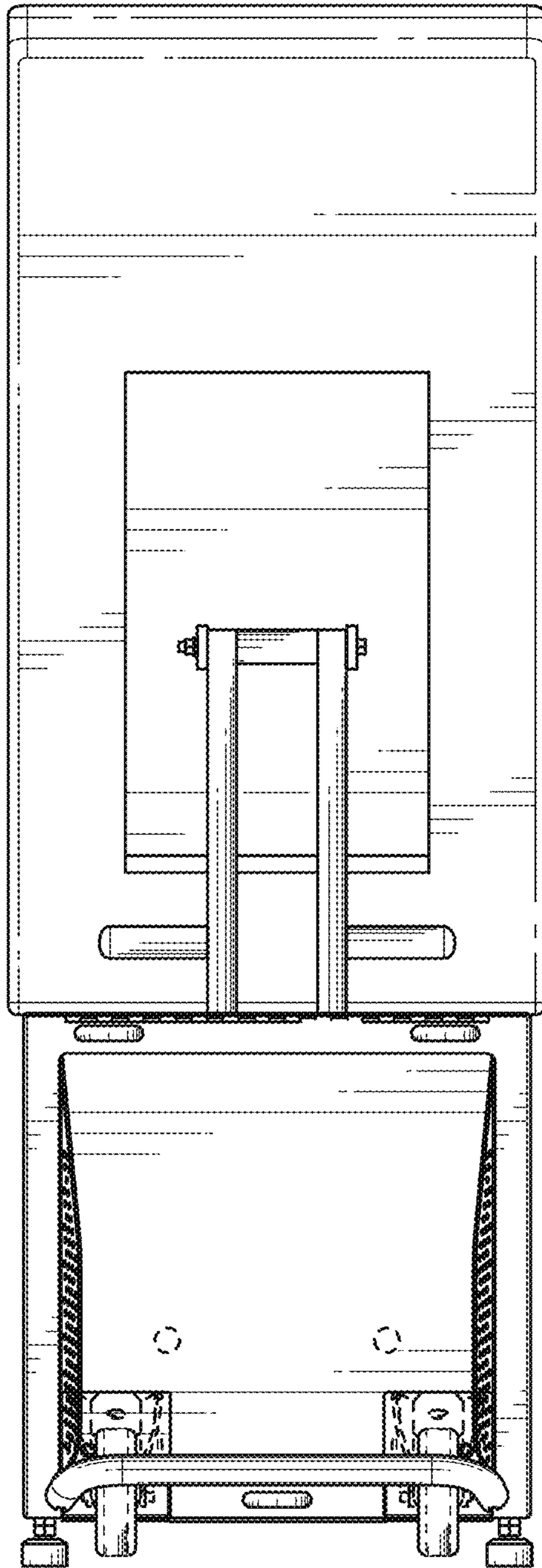


FIG. 12