



US00D831761S

(12) **United States Design Patent** (10) **Patent No.:** **US D831,761 S**
Stricklin (45) **Date of Patent:** **** Oct. 23, 2018**

(54) **HANDSPRING TRAINER**
(71) Applicants: **NORBERT'S ATHLETIC PRODUCTS, INC.**, Wilmington, CA (US); **VICTORY ATHLETICS INC.**, Madison, MS (US)
(72) Inventor: **Caleb J. Stricklin**, Madison, MS (US)
(73) Assignees: **Norbert's Athletic Products, Inc.**, Wilmington, CA (US); **Victory Athletics, Inc.**, Madison, MS (US)

2,822,554 A 2/1958 Wenzelberger
3,628,790 A 12/1971 Gordon
D238,266 S * 12/1975 Dalton D12/410
4,210,322 A * 7/1980 Pritchard A63B 21/00047
446/216
D278,004 S * 3/1985 Sigona D6/361
4,969,222 A 11/1990 Serola
D325,087 S * 3/1992 Brinker D24/190
D360,796 S * 8/1995 Goldado 5/648
D361,905 S * 9/1995 Adams D6/334
D406,718 S * 3/1999 Jacobs D21/686
D469,648 S * 2/2003 Meldeau D21/687
6,575,885 B1 6/2003 Week et al.
6,623,270 B1 * 9/2003 Meldeau A63B 21/00047
432/140

(**) Term: **15 Years** (Continued)

(21) Appl. No.: **29/600,712**

OTHER PUBLICATIONS

(22) Filed: **Apr. 14, 2017**

Norbert's by Norbertsathletic dated Aug. 22, 2017. Found online [Apr. 12, 2018] <https://www.youtube.com/watch?v=h4aK2Kc3eFA>.*

(51) **LOC (11) Cl.** **21-02**

(Continued)

(52) **U.S. Cl.**

USPC **D21/688**

(58) **Field of Classification Search**

USPC D6/601, 691.4, 375, 334, 361, 349, 596, D6/604, 597, 691.3, 691.8, 374; D21/686, 687, 662, 797, 688, 484, 671, D21/690; D24/190, 191, 192, 183, 186; 432/140; 482/141, 142, 121, 140, 23, 15, 482/127, 139, 35, 130, 148, 106; D12/410; D30/160; D25/118, 113, 114; 52/596, 677, 431, 603, 604, 605, 632, 52/630

CPC A63B 21/0552; A63B 21/4035; A63B 23/0211; A63B 21/4047; A63B 2210/50; A63B 2208/0204; A63B 21/0557; Y10S 482/907

See application file for complete search history.

Primary Examiner — Philip S Hyder

Assistant Examiner — Ryan Harvey

(74) *Attorney, Agent, or Firm* — Davis & Bujold PLLC; Michael J. Bujold

(57) **CLAIM**

I claim the ornamental design for a handspring trainer, as shown and described.

DESCRIPTION

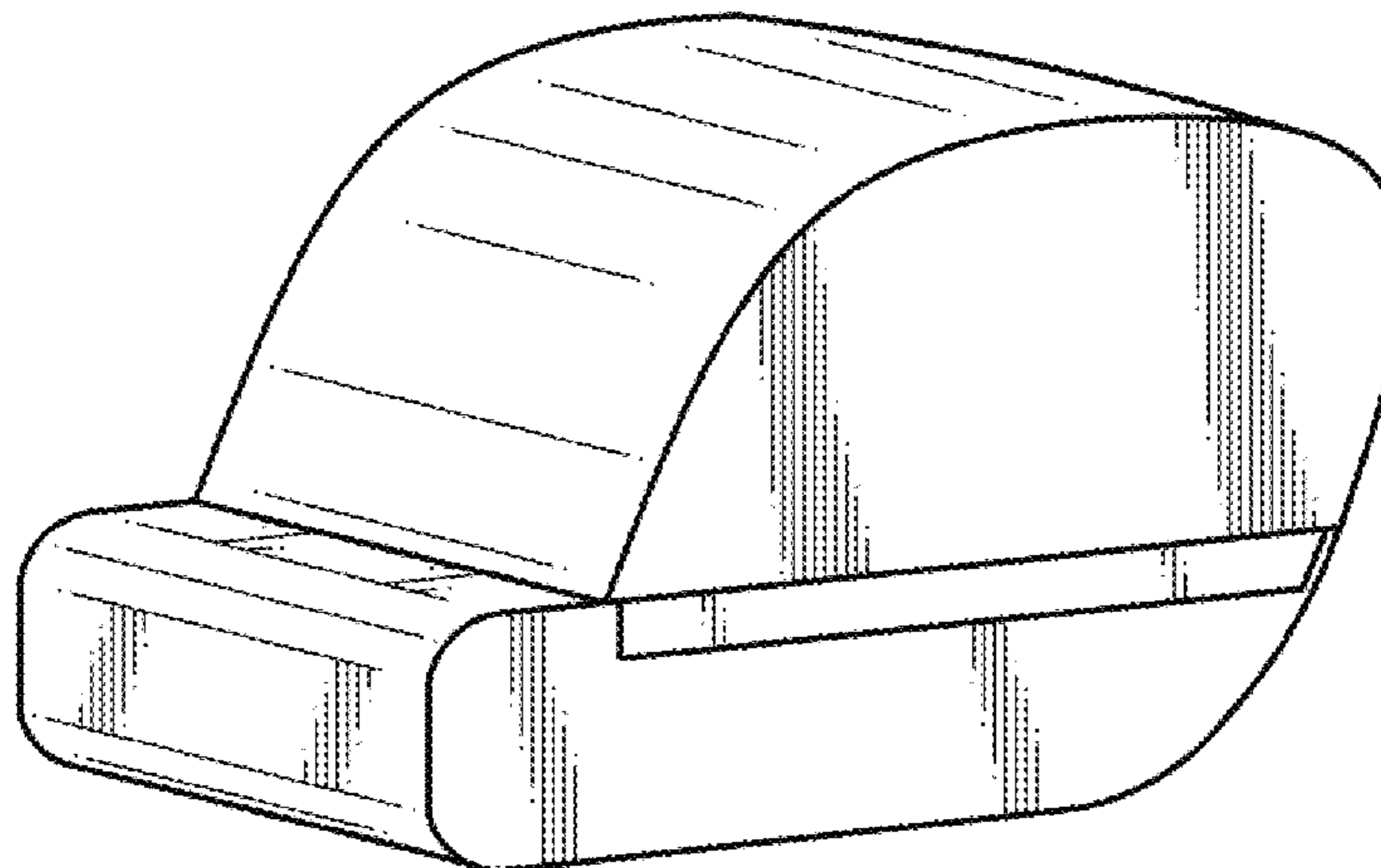
FIG. 1 is a perspective view of a handspring trainer embodying my new design;
FIG. 2 is a right side elevational view thereof;
FIG. 3 is a front elevational view thereof;
FIG. 4 is a rear elevational view thereof;
FIG. 5 is a left side elevational view thereof;
FIG. 6 is a top plan view thereof; and,
FIG. 7 is a bottom plan view thereof.

(56) **References Cited**

U.S. PATENT DOCUMENTS

2,107,377 A 2/1938 Howland
2,521,530 A 9/1950 McGuffage

1 Claim, 1 Drawing Sheet



(56)

References Cited

U.S. PATENT DOCUMENTS

D500,622 S * 1/2005 Owen D6/596
 D509,270 S * 9/2005 Stangler D21/686
 D521,301 S * 5/2006 Dickson D6/601
 D523,494 S 6/2006 Van Straaten
 D523,913 S * 6/2006 Van Straaten D21/662
 7,134,988 B2 * 11/2006 Van Straaten A63B 23/0211
 482/142
 D543,064 S * 5/2007 Hale D6/596
 D555,741 S * 11/2007 Wachtfogel D21/662
 D562,600 S * 2/2008 Diekman D6/349
 D569,161 S * 5/2008 Gaddy D6/597
 D571,871 S * 6/2008 Backstrand D21/686
 D578,805 S * 10/2008 Diekman D6/601
 7,563,217 B2 * 7/2009 Endelman A63B 21/00047
 482/121
 7,789,805 B2 9/2010 Lim
 7,901,328 B1 * 3/2011 Kessler A63B 5/16
 482/130
 D642,412 S * 8/2011 Cuba D6/601
 D643,638 S * 8/2011 Weichselbaumer D6/361
 D651,369 S * 12/2011 Seliskar D30/160
 8,202,203 B2 6/2012 Lim
 D665,506 S * 8/2012 Derrick D24/191
 D675,267 S * 1/2013 Jamison, Jr. D21/686
 RE43,981 E * 2/2013 Endelman A63B 21/4037
 482/121
 D691,222 S * 10/2013 Sterios D21/686
 8,671,484 B1 * 3/2014 Logiodice A47D 15/005
 5/655
 D740,902 S * 10/2015 Albert D21/797
 9,192,801 B1 * 11/2015 Gouloubev A63B 21/00047

D753,311 S * 4/2016 Long D24/186
 D753,312 S * 4/2016 Long D24/186
 D774,329 S * 12/2016 Brown D6/601
 D779,600 S * 2/2017 Dean D21/686
 D787,072 S * 5/2017 Pryce-Jones D24/183
 D796,232 S * 9/2017 Brown D6/601
 D813,321 S * 3/2018 Zaki D21/662
 2004/0019971 A1 * 2/2004 Rhodes A61B 5/055
 5/632
 2004/0033873 A1 * 2/2004 Van Straaten A47C 3/16
 482/142
 2004/0226096 A1 * 11/2004 Davis A47C 16/02
 5/632
 2007/0117695 A1 * 5/2007 Endelman 482/140
 2008/0096740 A1 4/2008 Nichols
 2010/0062918 A1 * 3/2010 Scholder A63B 21/00047
 482/148
 2010/0184567 A1 * 7/2010 Lim A63B 21/0004
 482/23
 2013/0029815 A1 * 1/2013 Lu A63B 21/0004
 482/142
 2013/0190151 A1 * 7/2013 Scholder A63B 21/4039
 482/142

OTHER PUBLICATIONS

gibsonathletic.com, 2013 Resource Guide, p. 34, Gibson Athletic, Denver, CO USA.
 www.norberts.net, Norbert's Athletic Products, Catalog 36, Jun. 2008, San Pedro, CA USA.
 www.coreathletics.com, Core Athletics, 2009, Newburyport, MA USA.

* cited by examiner

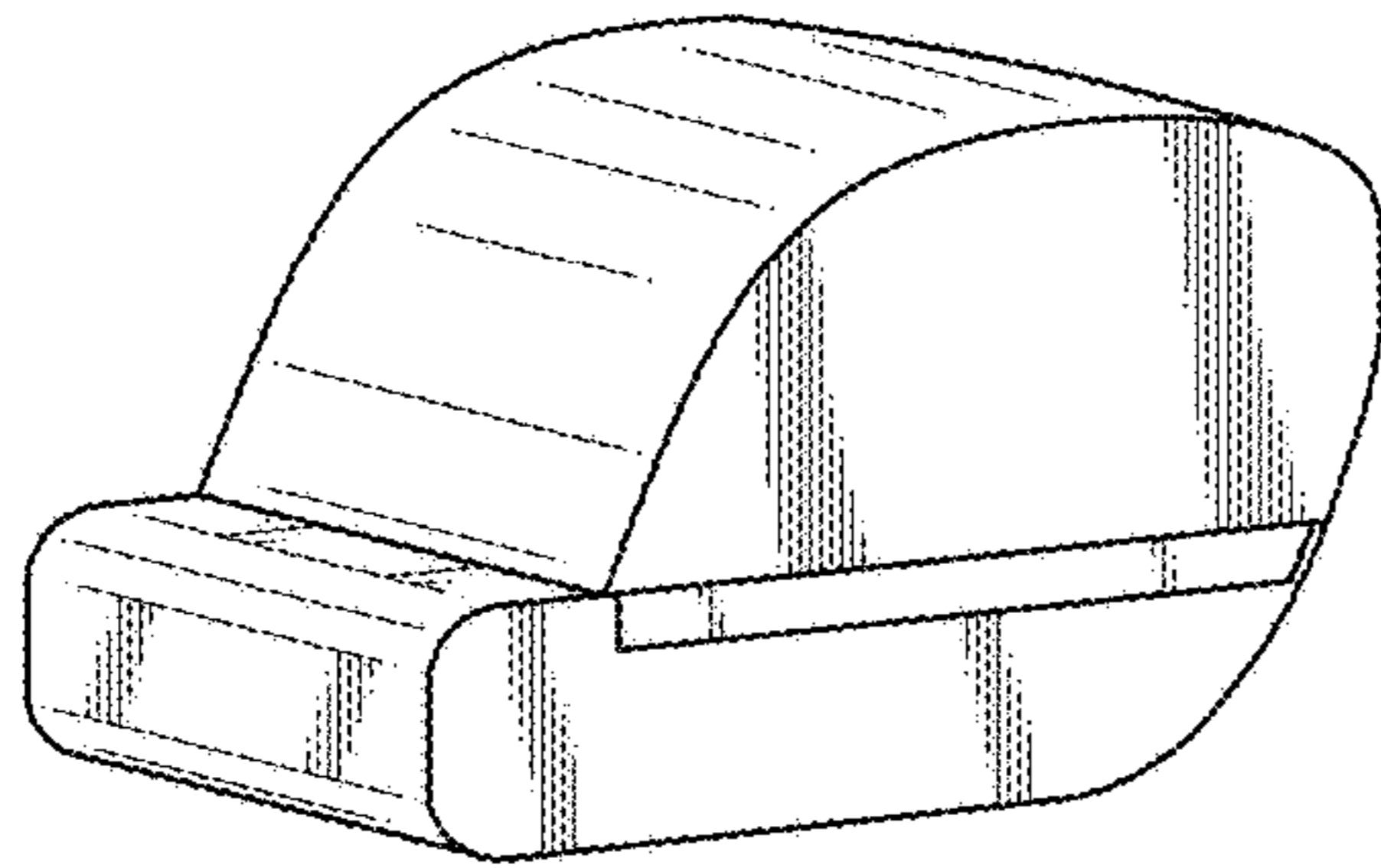


FIG. 1

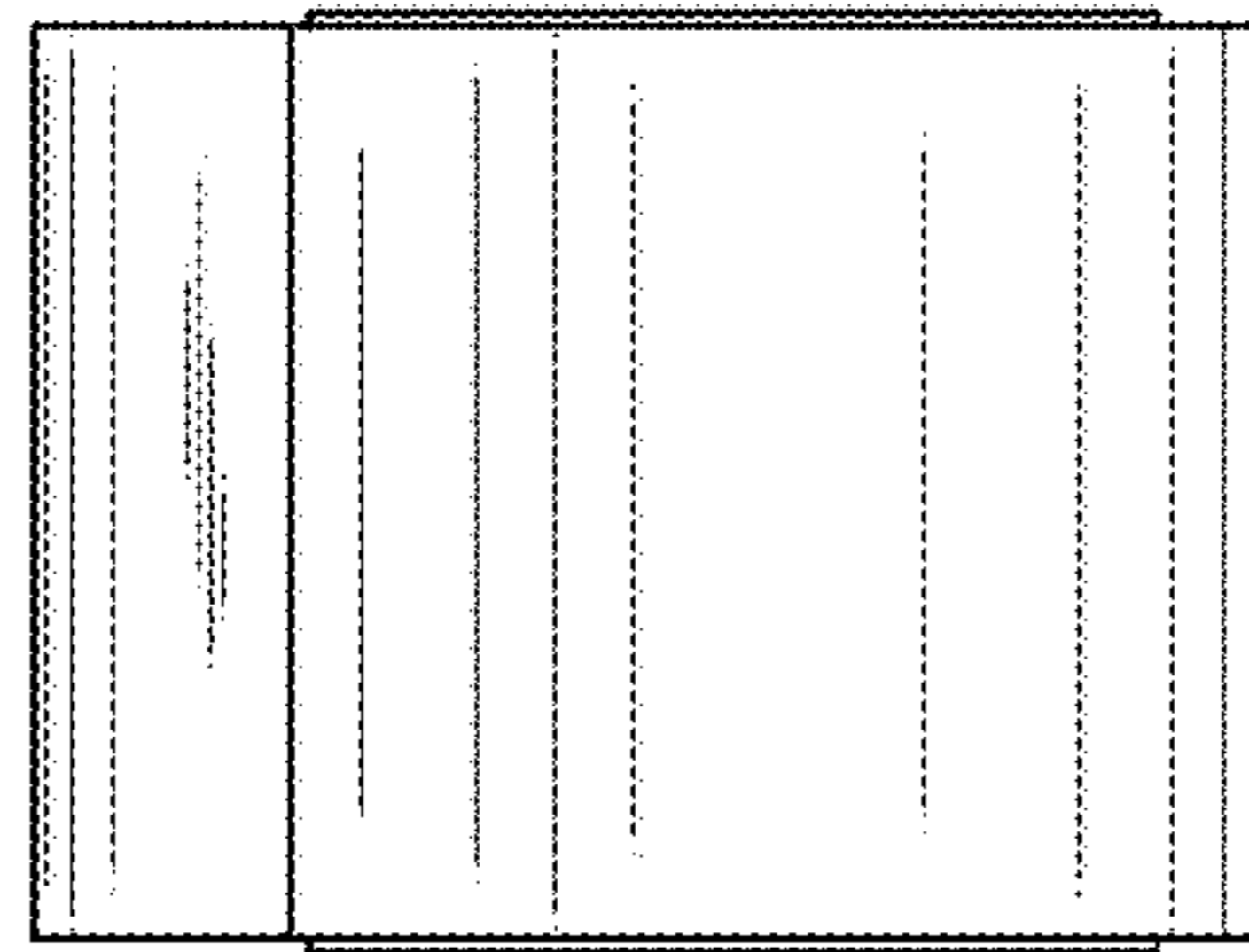


FIG. 6

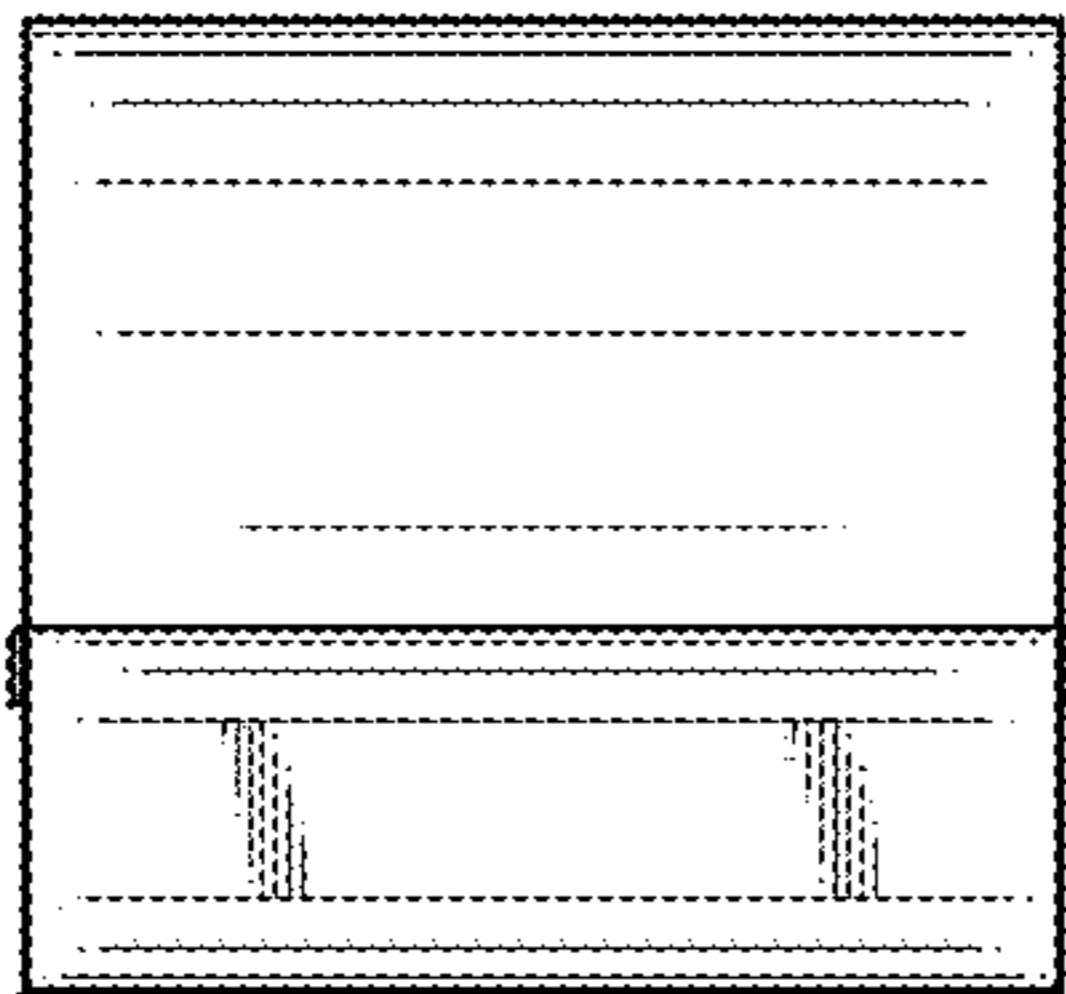


FIG. 3

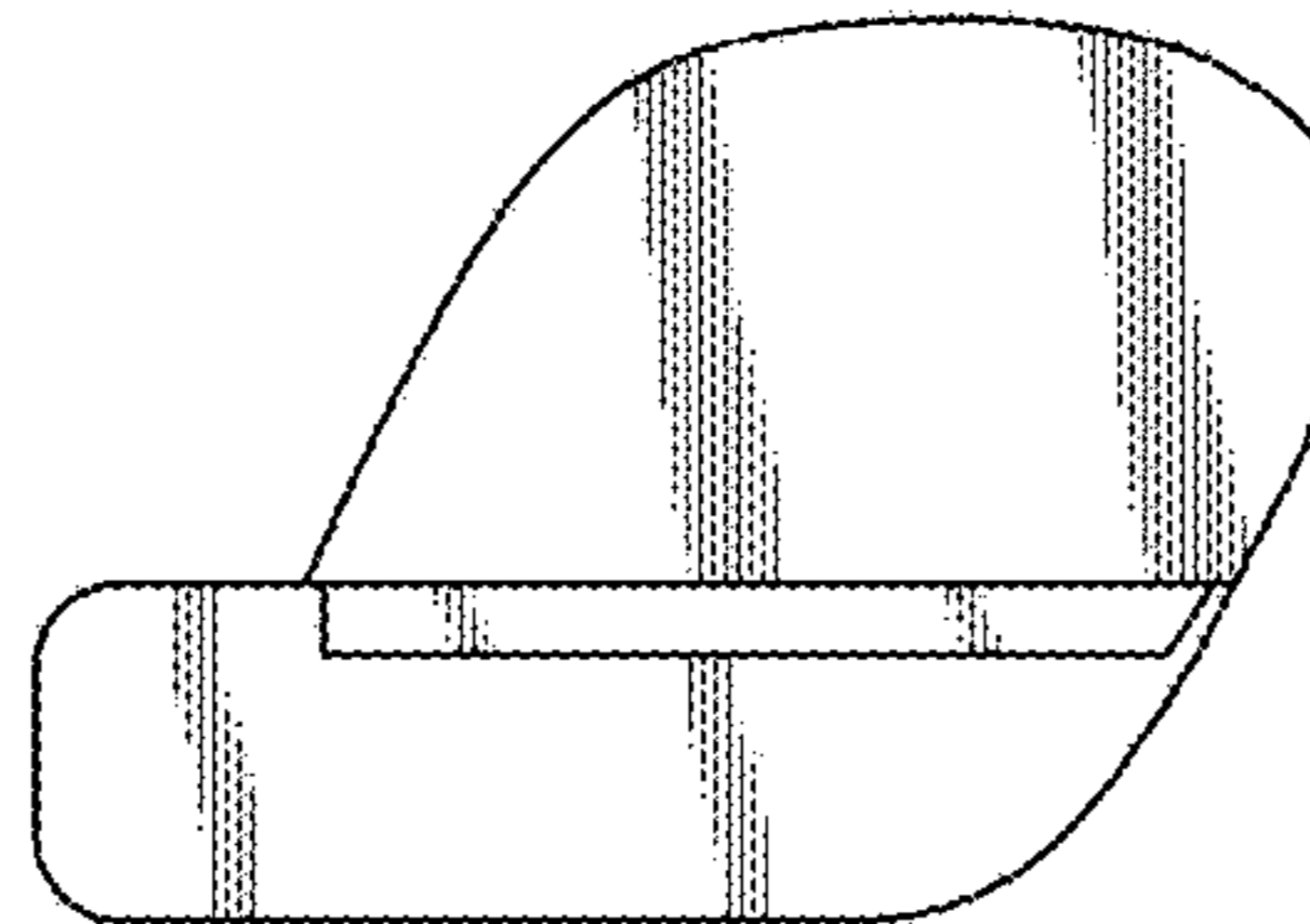


FIG. 2

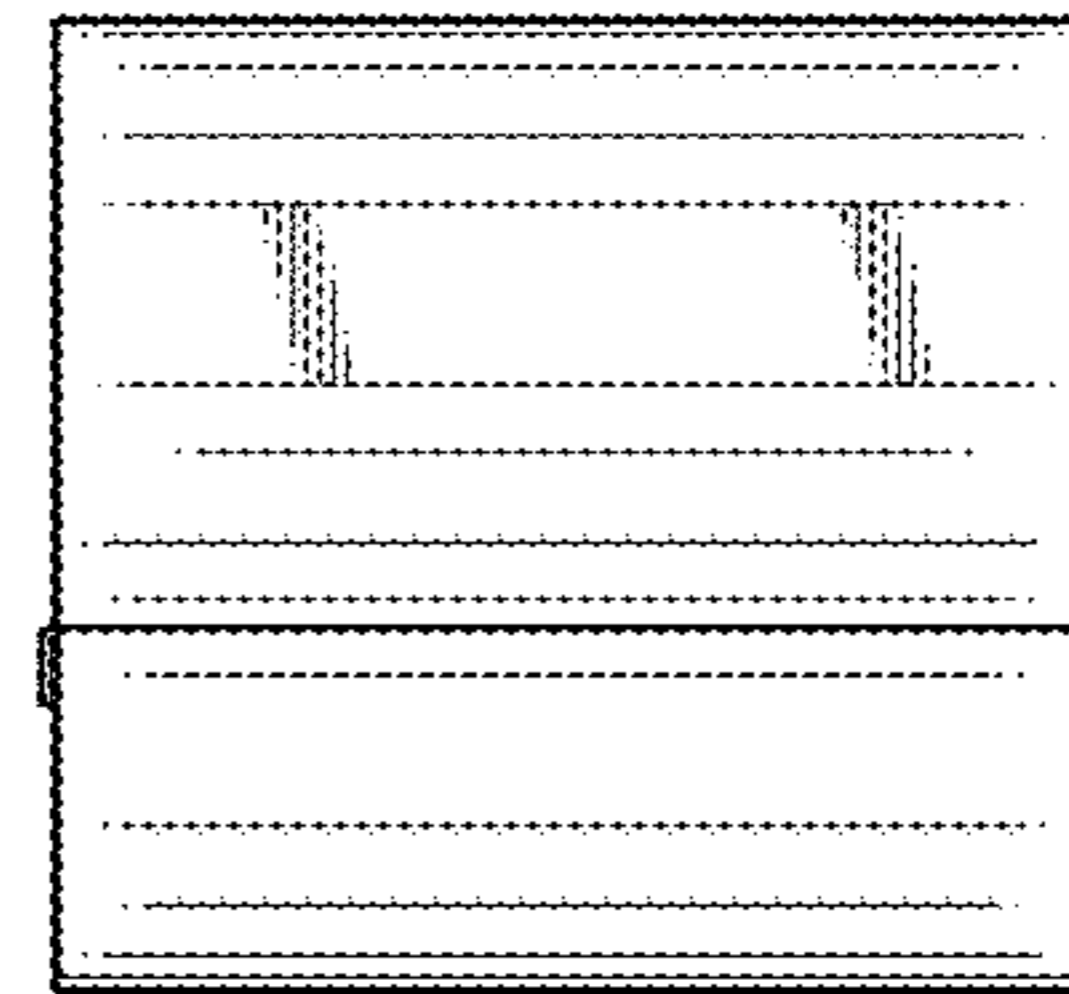


FIG. 4

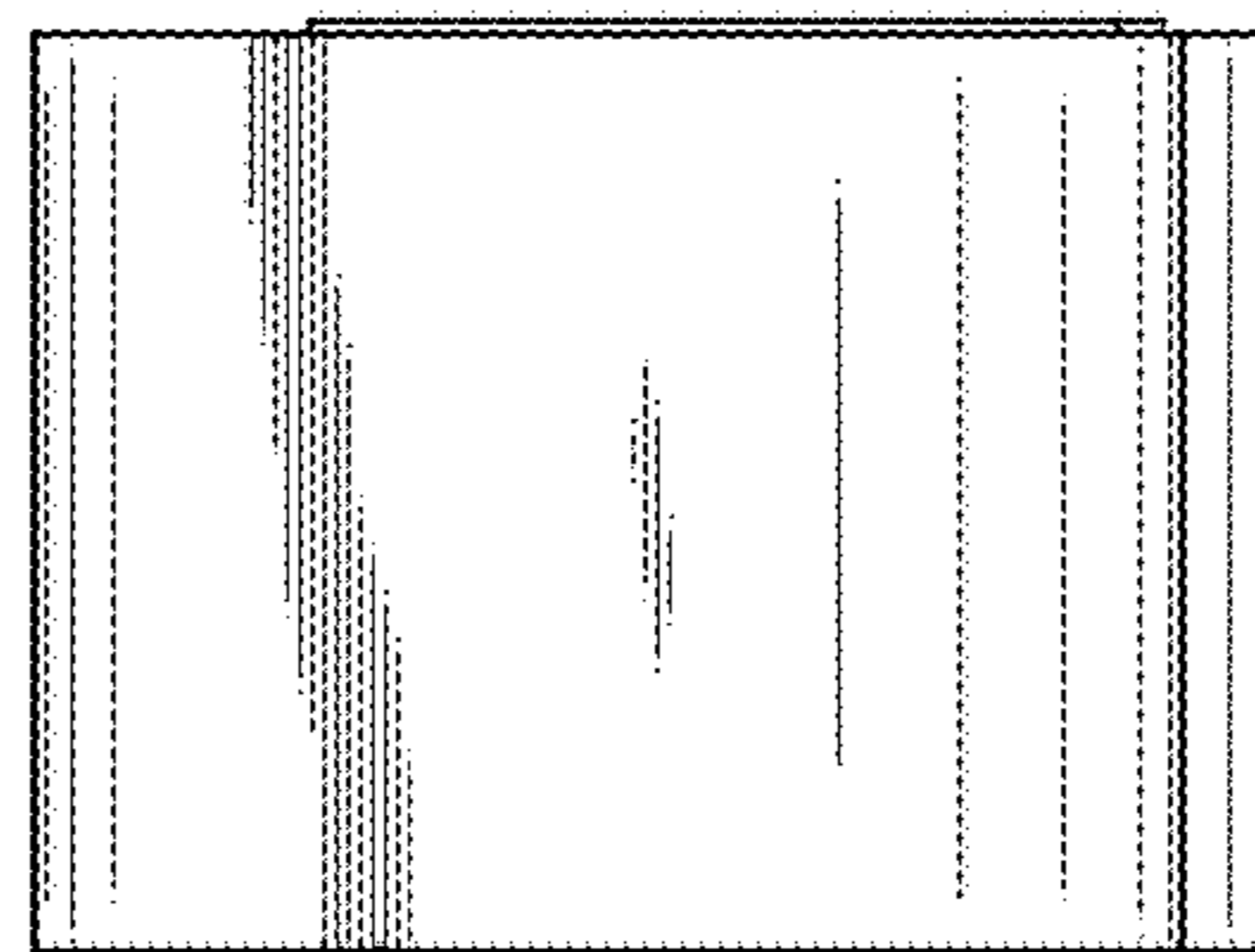


FIG. 7

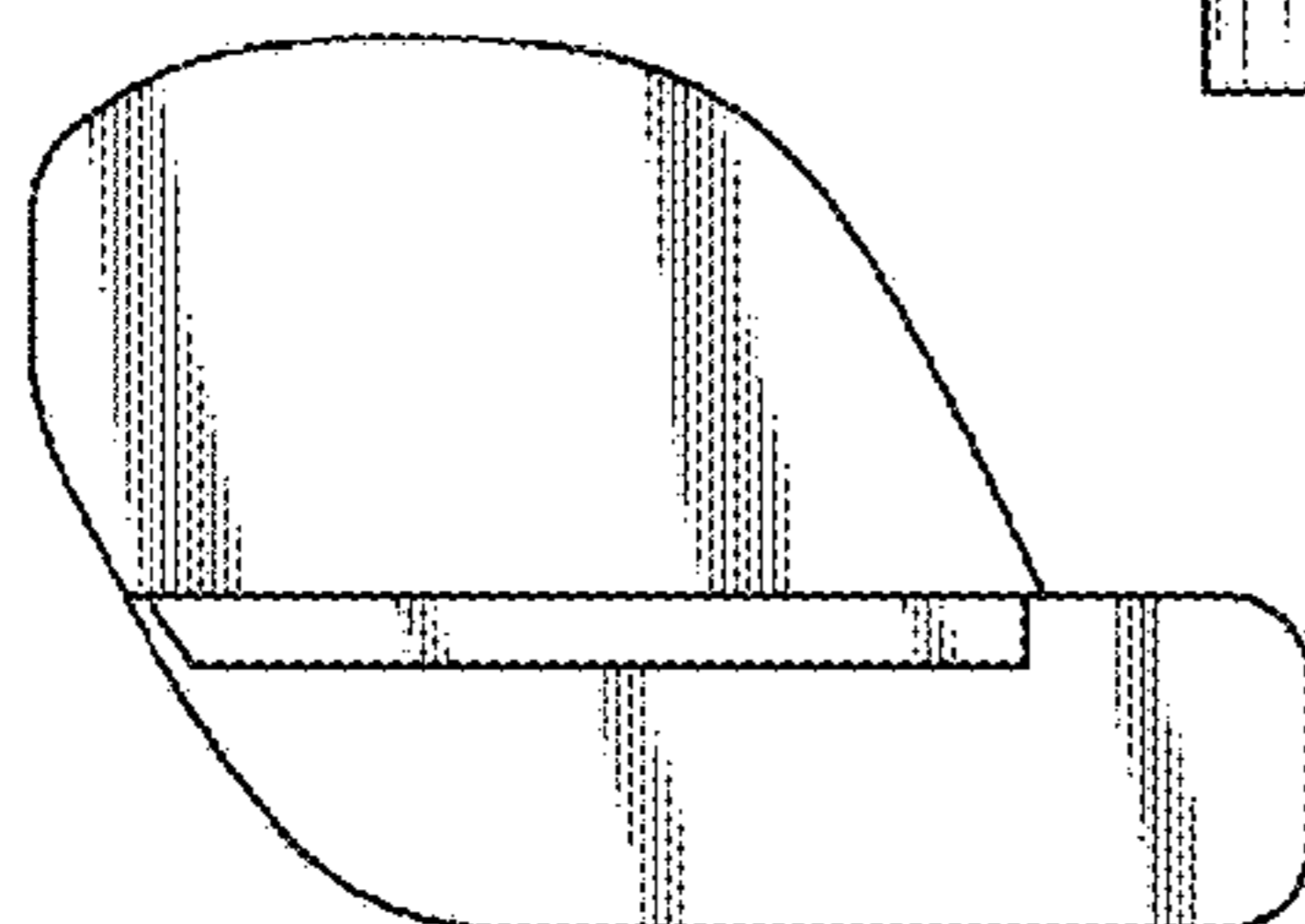


FIG. 5