



US00D831759S

(12) **United States Design Patent**  
**Cerreta**

(10) **Patent No.:** **US D831,759 S**

(45) **Date of Patent:** **\*\* Oct. 23, 2018**

(54) **FINGER AND HAND EXERCISER**

(71) Applicant: **Ronald Cerreta**, Katy, TX (US)

(72) Inventor: **Ronald Cerreta**, Katy, TX (US)

(\*\*) Term: **15 Years**

(21) Appl. No.: **29/599,726**

(22) Filed: **Apr. 6, 2017**

(51) **LOC (11) Cl.** ..... **21-02**

(52) **U.S. Cl.**  
USPC ..... **D21/684**

(58) **Field of Classification Search**  
USPC ..... 482/47, 45, 49, 48, 44, 121, 105, 122,  
482/128, 112, 141, 51, 66, 70, 126, 46,  
482/107, 8, 901, 139, 108, 82, 106, 594,  
482/124, 131, 11, 93, 97; D21/684, 692,  
D21/662, 679, 693, 714, 682, 807, 532;  
411/56, 58; D8/10, 303; D24/211, 188  
CPC . A63B 23/16; A63B 21/4035; A63B 21/0004;  
A63B 21/4017; A63B 21/072; A63B  
21/4019  
See application file for complete search history.

5,147,256 A \* 9/1992 Silagy ..... A63B 23/16  
482/128

D352,754 S 11/1994 Silagy

5,431,611 A \* 7/1995 Silagy ..... A63B 23/16  
482/122

D385,603 S \* 10/1997 Ditsch ..... D21/684

5,690,585 A \* 11/1997 Ditsch ..... A63B 23/16  
482/121

D405,134 S \* 2/1999 Hug ..... D21/684

D416,299 S \* 11/1999 Hug ..... D21/684

D418,180 S \* 12/1999 Hug ..... D21/684

D418,560 S \* 1/2000 Hug ..... D21/684

(Continued)

**OTHER PUBLICATIONS**

Gripmaster by Amazon dated Jan. 20, 2008. Found online [May 31, 2018] <https://tinyuri.com/y8jaus4x>.\*

(Continued)

*Primary Examiner* — Philip S Hyder  
*Assistant Examiner* — Ryan Harvey  
 (74) *Attorney, Agent, or Firm* — Dunlap Bennett & Ludwig PLLC

(57) **CLAIM**

The ornamental design for a finger and hand exerciser, as shown and described.

**DESCRIPTION**

FIG. 1 is a top front perspective view of a finger and hand exerciser, showing my new design;  
 FIG. 2 is a front view thereof;  
 FIG. 3 is a right side elevation view thereof;  
 FIG. 4 is a top plan view thereof;  
 FIG. 5 is a bottom plan view thereof;  
 FIG. 6 is a rear view thereof;  
 FIG. 7 is a left side view thereof; and,  
 FIG. 8 is a bottom front perspective view of the finger and hand exerciser.

**1 Claim, 1 Drawing Sheet**

(56) **References Cited**

**U.S. PATENT DOCUMENTS**

1,229,658 A \* 6/1917 Sandow ..... A63B 21/0726  
43/23

1,796,216 A \* 3/1931 Petterson ..... A63B 23/16  
482/47

2,837,334 A \* 6/1958 Long ..... A63B 23/16  
482/49

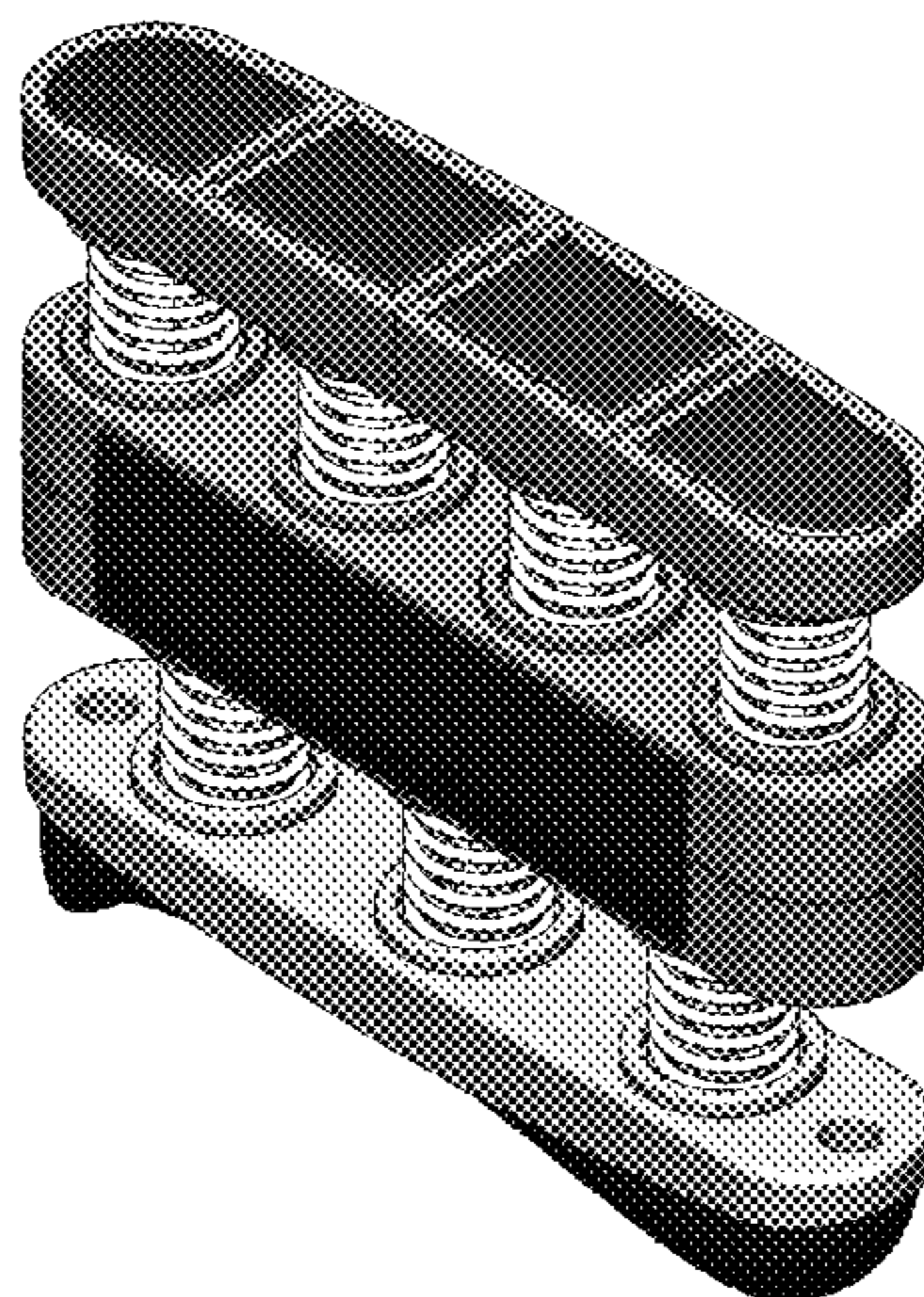
3,447,415 A \* 6/1969 Kime ..... G09B 15/06  
267/177

3,738,651 A \* 6/1973 Norman ..... A63B 23/16  
482/128

4,678,181 A \* 7/1987 Ditsch ..... A63B 23/16  
482/128

D294,614 S \* 3/1988 Ditsch ..... D21/684

D325,411 S \* 4/1992 Everly ..... D21/684



(56)

**References Cited**

U.S. PATENT DOCUMENTS

|              |      |         |                  |                        |
|--------------|------|---------|------------------|------------------------|
| D419,210     | S *  | 1/2000  | Hug .....        | D21/684                |
| 7,967,732    | B2   | 6/2011  | D'Addario et al. |                        |
| D683,804     | S *  | 6/2013  | Huang .....      | D21/684                |
| D721,144     | S *  | 1/2015  | Goldberg .....   | D21/684                |
| 9,005,084    | B2 * | 4/2015  | Silagy .....     | A63B 21/023<br>482/44  |
| D732,615     | S *  | 6/2015  | Goldberg .....   | D21/684                |
| D732,616     | S *  | 6/2015  | Goldberg .....   | D21/684                |
| D733,227     | S *  | 6/2015  | Goldberg .....   | D21/684                |
| D733,228     | S *  | 6/2015  | Goldberg .....   | D21/684                |
| D733,229     | S *  | 6/2015  | Goldberg .....   | D21/684                |
| 9,072,939    | B2 * | 7/2015  | Silagy .....     | A63B 23/16             |
| 9,421,419    | B1 * | 8/2016  | Goldberg .....   | A63B 23/16             |
| 9,474,932    | B1 * | 10/2016 | Goldberg .....   | A63B 23/16             |
| 9,597,547    | B1 * | 3/2017  | Goldberg .....   | A63B 23/16             |
| 9,700,758    | B1 * | 7/2017  | Goldberg .....   | A63B 23/16             |
| 2003/0131710 | A1   | 7/2003  | Goldiner         |                        |
| 2008/0300112 | A1 * | 12/2008 | Crout .....      | A63B 21/0004<br>482/48 |
| 2009/0318269 | A1 * | 12/2009 | D'Addario .....  | A63B 21/023<br>482/47  |
| 2015/0190675 | A1 * | 7/2015  | Silagy .....     | A63B 23/16<br>482/47   |

OTHER PUBLICATIONS

Hewolf by Aliexpress dated Feb. 28, 2018. Found online [May 31, 2018] <https://tinyuri.com/ybwowfc5>.\*

\* cited by examiner

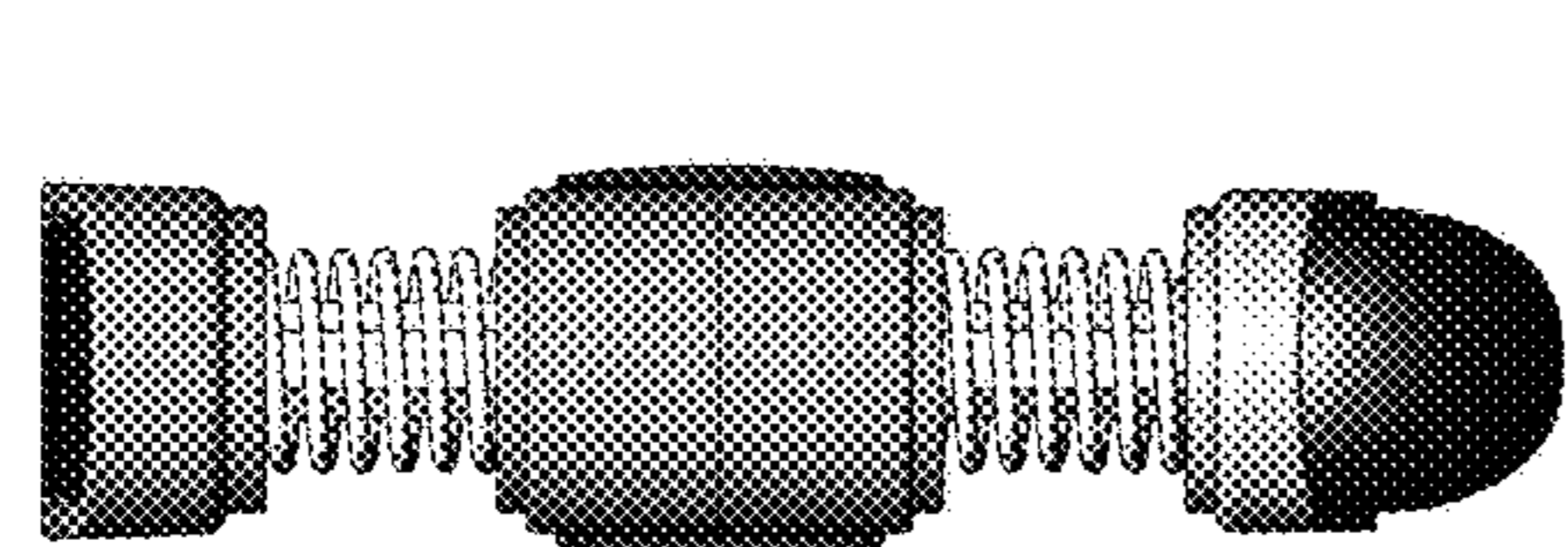


FIG. 7

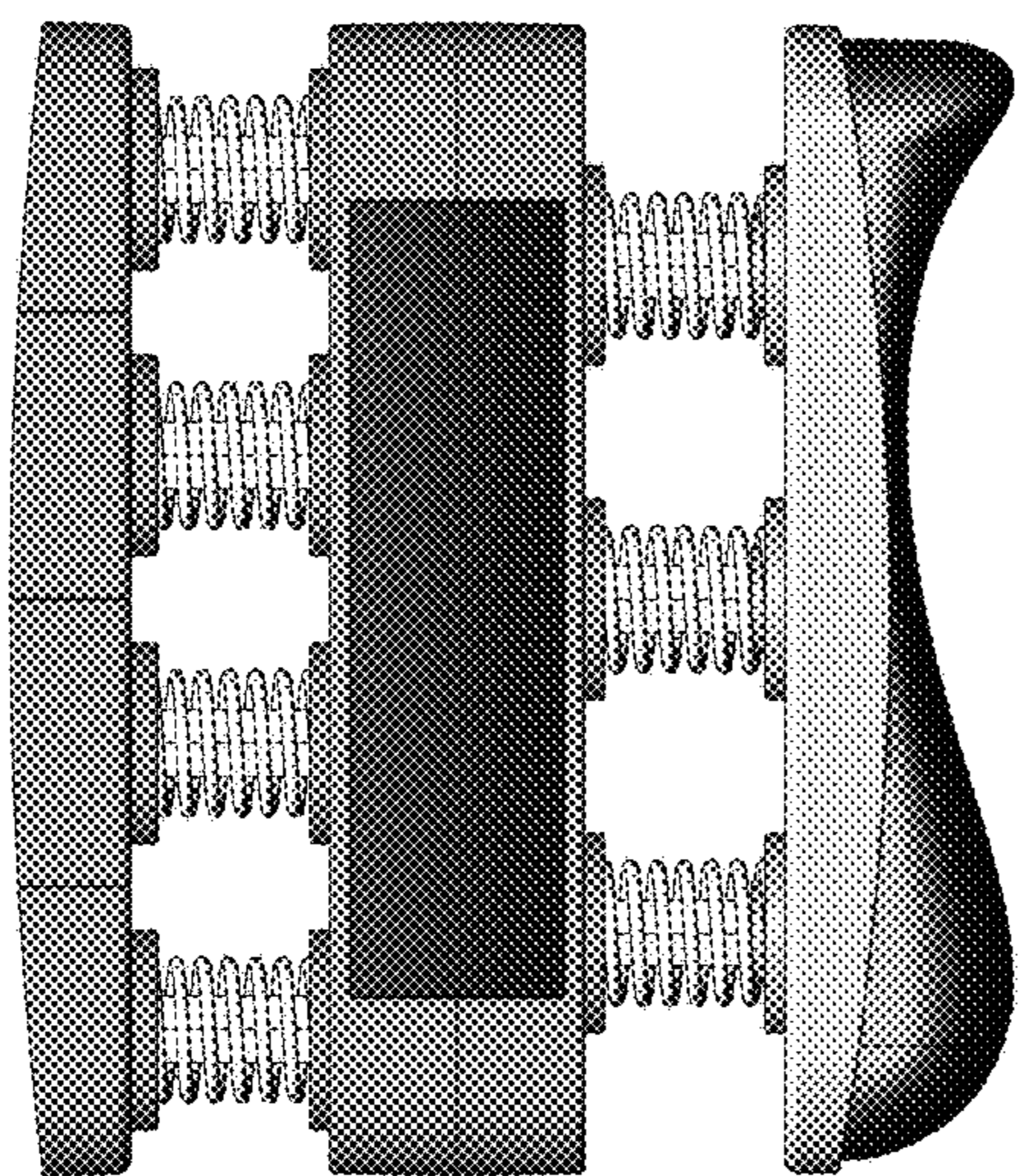


FIG. 6

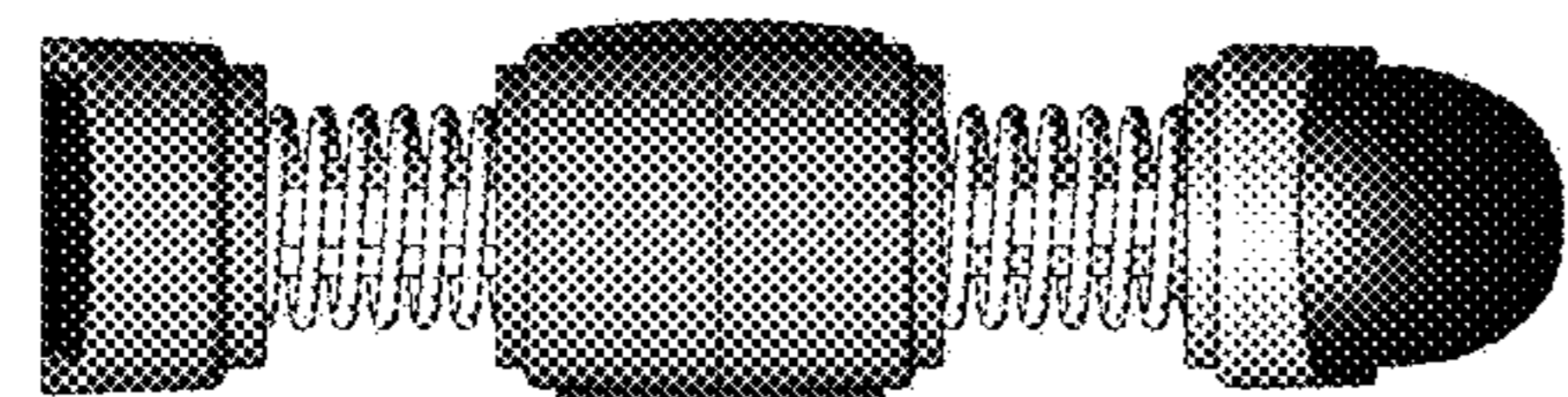


FIG. 3

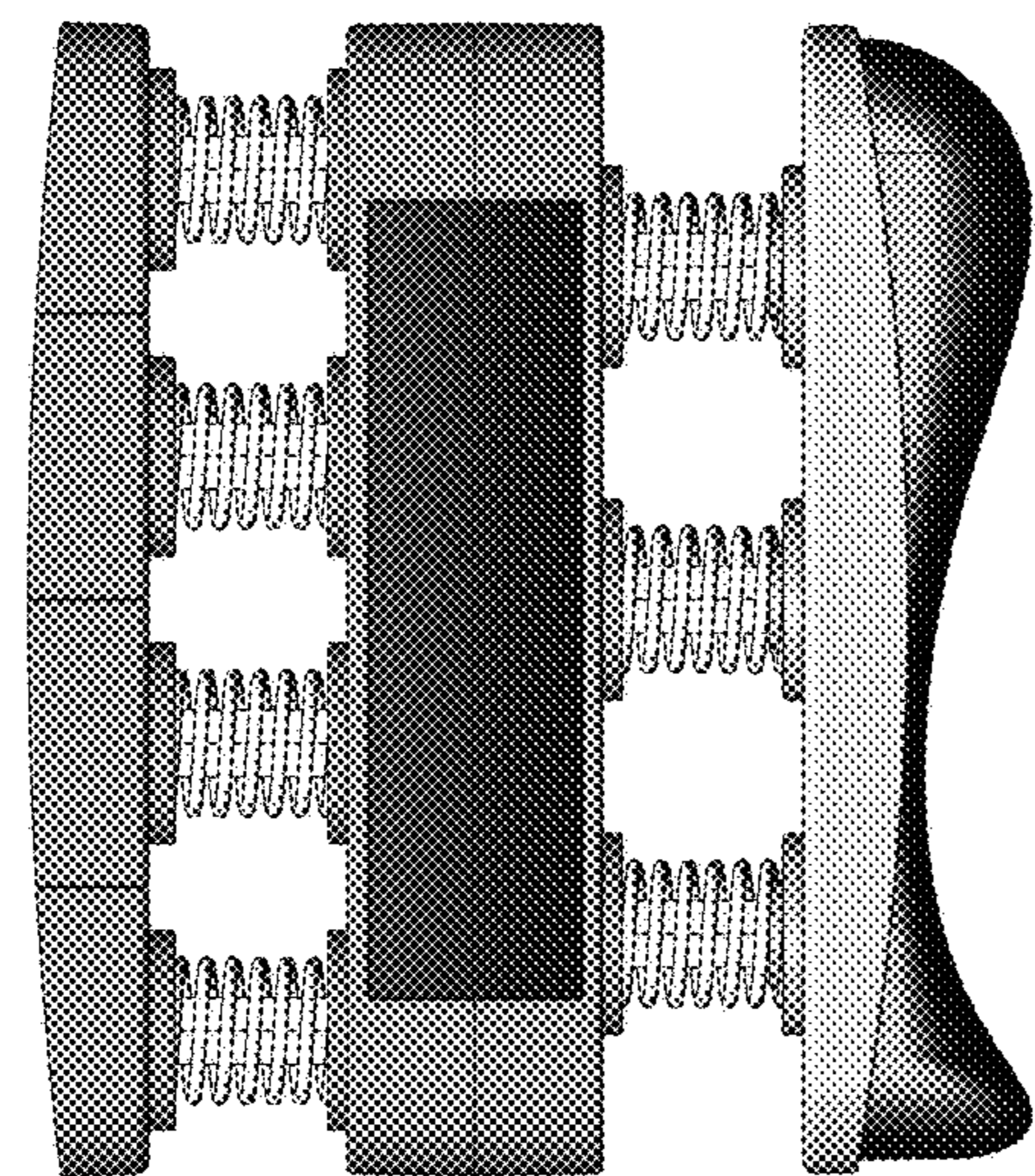


FIG. 2

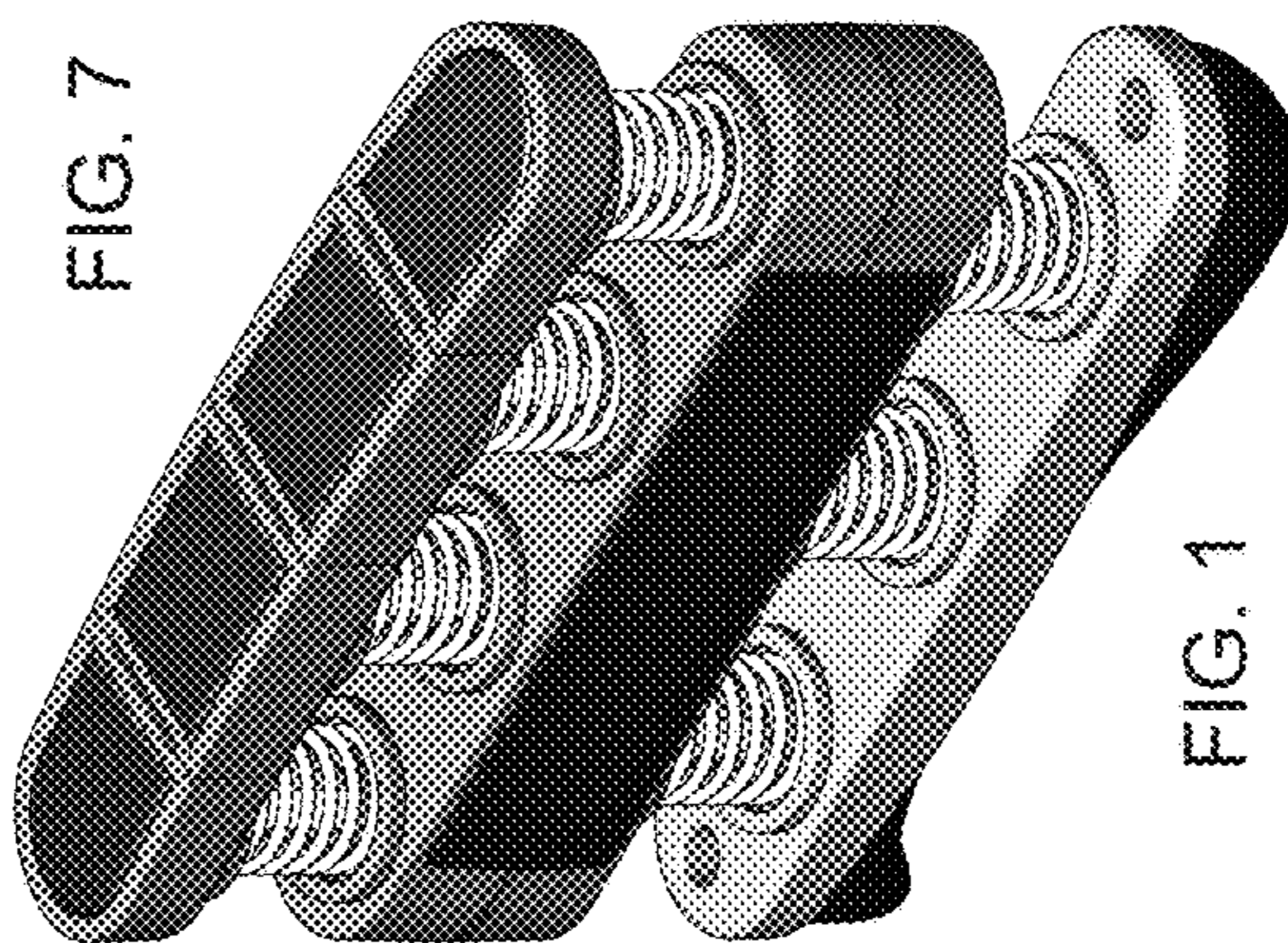


FIG. 1

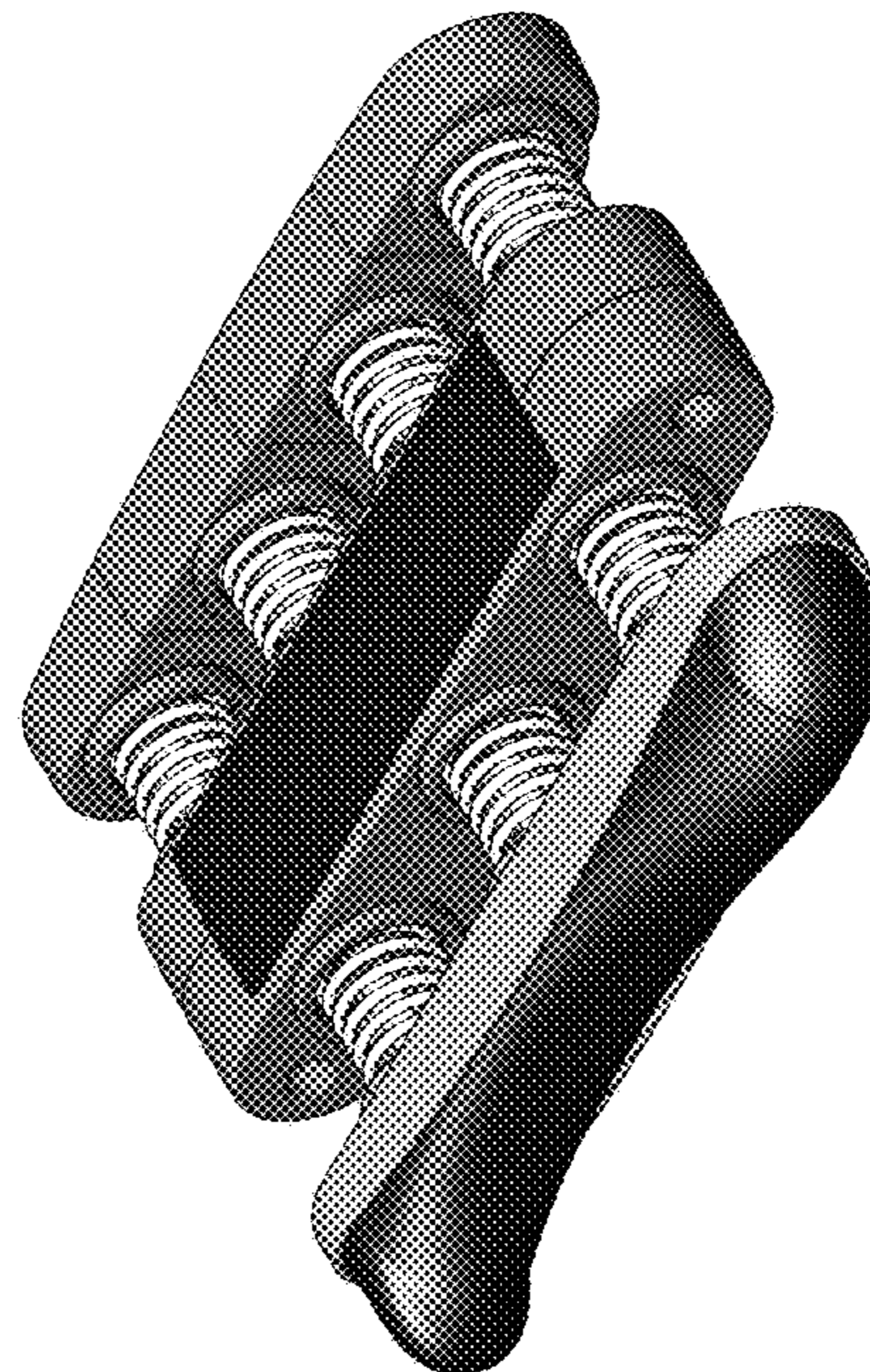


FIG. 8

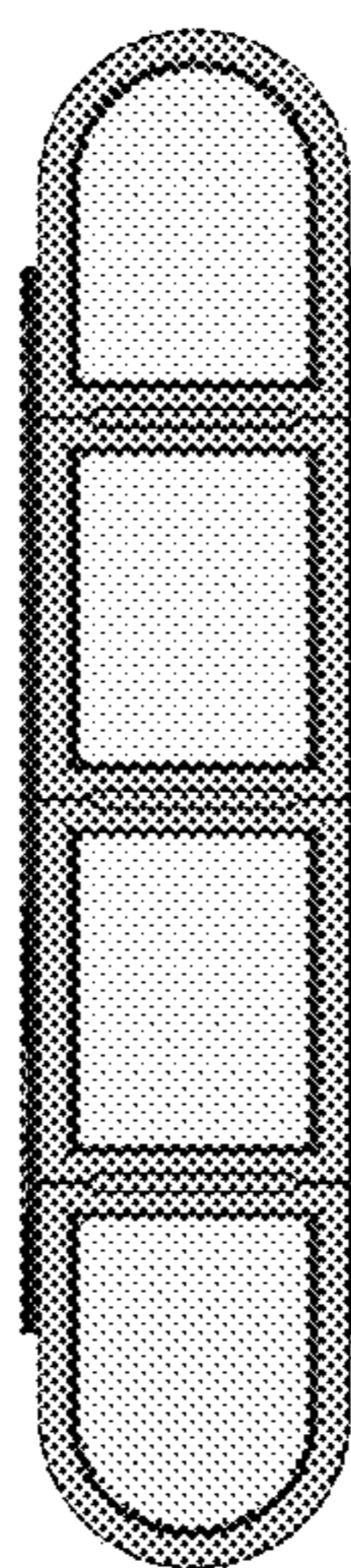


FIG. 4

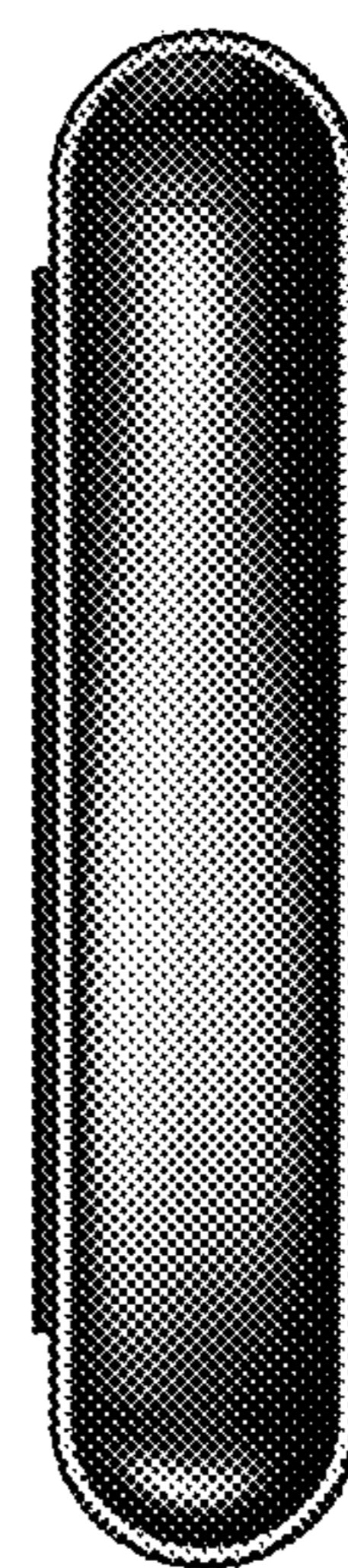


FIG. 5