

US00D831758S

(12) **United States Design Patent** (10) **Patent No.:** **US D831,758 S**
Pei (45) **Date of Patent:** **** Oct. 23, 2018**

(54) **STATIONARY EXERCISE BIKE**
(71) Applicant: **Xubo Pei**, Shenzhen (CN)
(72) Inventor: **Xubo Pei**, Shenzhen (CN)
(**) Term: **15 Years**
(21) Appl. No.: **29/575,755**
(22) Filed: **Aug. 29, 2016**
(51) **LOC (11) Cl.** **21-02**
(52) **U.S. Cl.**
USPC **D21/663**
(58) **Field of Classification Search**
USPC D21/663, 667, 666, 697, 694, 665, 668,
D21/664, 690, 676; 482/57, 62, 111,
482/139, 145, 60, 51, 123, 72, 61, 58, 9;
74/502.4, 502.6, 594.2, 594.1, 48;
D12/178, 411, 345; D23/382, 381, 378,
D23/412, 411; D13/115; D15/7
CPC ... A63B 22/0605; A63B 21/225; A63B 69/16;
A63B 2225/09; A63B 21/015; A63B
2022/0652; A63B 22/0012
See application file for complete search history.

D381,379 S * 7/1997 Lee D21/663
D384,380 S * 9/1997 Wang D21/667
D401,644 S * 11/1998 Chen D21/663
D406,288 S * 3/1999 Chen D21/663
5,971,894 A * 10/1999 Chen A63B 22/0605
482/57
6,039,676 A * 3/2000 Clive A63B 22/0605
482/57
D429,508 S * 8/2000 Clive D21/663
D430,240 S * 8/2000 Chang D21/663
6,273,845 B1 * 8/2001 Liou A63B 21/0051
188/164
6,569,063 B2 * 5/2003 Chen A63B 21/0051
482/57
D478,135 S * 8/2003 Mival D21/663
D480,119 S * 9/2003 Chen D21/663
D615,136 S * 5/2010 Jenkins D21/662
D636,826 S * 4/2011 Chan D21/663

(Continued)

Primary Examiner — Philip S Hyder
Assistant Examiner — Ryan Harvey
(74) *Attorney, Agent, or Firm* — Novoclaims Patent
Services LLC; Mei Lin Wong

(57) **CLAIM**

The ornamental design for an stationary exercise bike, as shown and described.

(56) **References Cited**

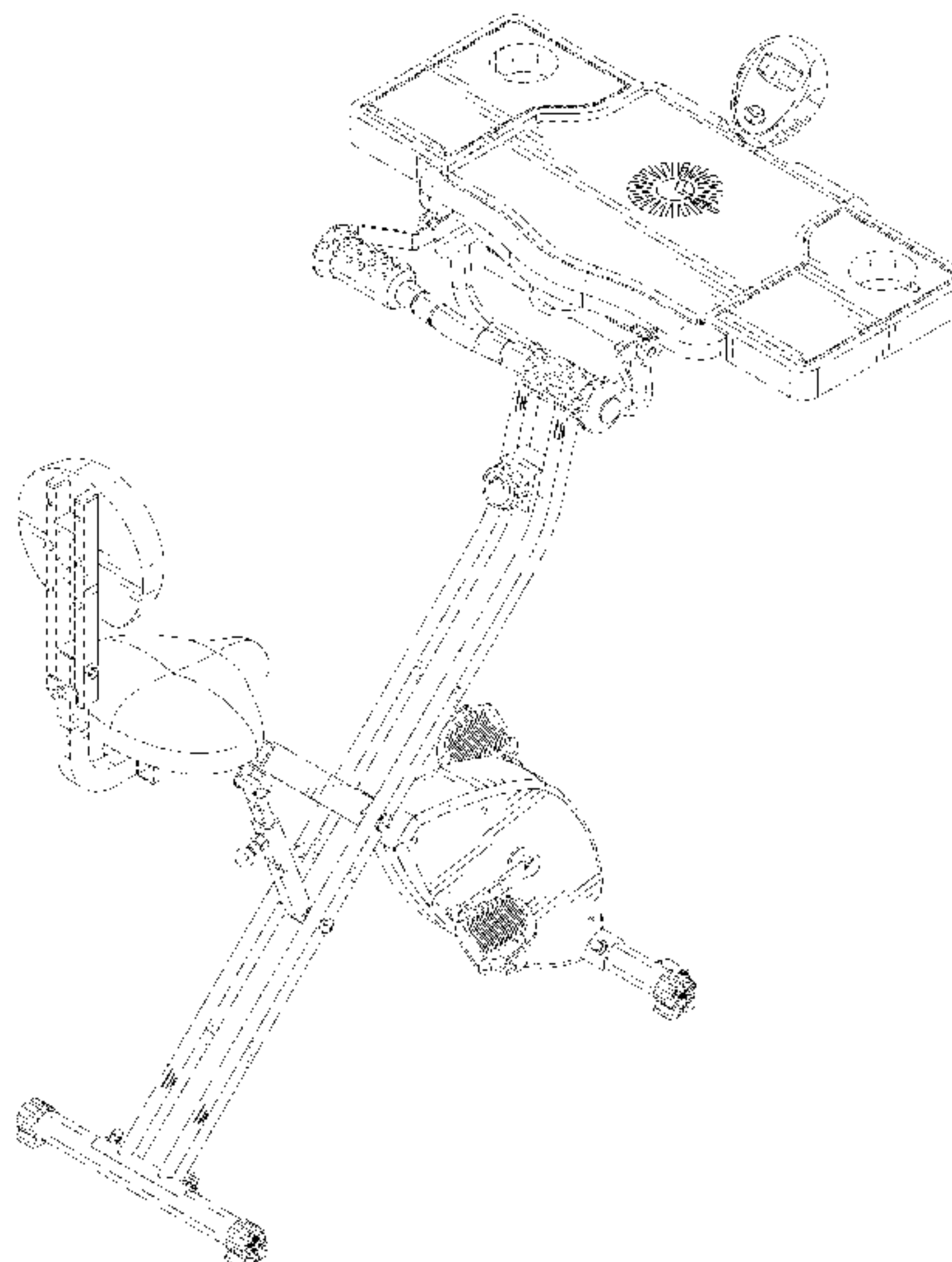
U.S. PATENT DOCUMENTS

D218,623 S * 9/1970 Margolies 482/57
D224,329 S * 7/1972 Hjelmqvist 482/57
D225,070 S * 11/1972 Proctor 482/57
D233,160 S * 10/1974 Jouk D21/663
D251,309 S * 3/1979 Nelson D21/667
D279,206 S * 6/1985 Smith D21/663
D280,227 S * 8/1985 LaMarsh D21/665
D281,711 S * 12/1985 Hiivola D21/667
D291,822 S * 9/1987 Liu D21/663
D307,782 S * 5/1990 Birrell D21/663
D344,776 S * 3/1994 Lertyaovarit D21/667
D372,060 S * 7/1996 Wang D21/666
D377,672 S * 1/1997 Wanzer D21/663

DESCRIPTION

FIG. 1 is a perspective view of an stationary exercise bike, showing my new design.
FIG. 2 is a front elevational view thereof.
FIG. 3 is a rear elevational view thereof.
FIG. 4 is a left side elevational view thereof.
FIG. 5 is a right side elevational view thereof.
FIG. 6 is a top plan view thereof; and,
FIG. 7 is a bottom plan view thereof.
The broken lines depict unclaimed portions of the stationary exercise bike that form no part of the claim.

1 Claim, 7 Drawing Sheets



(56)

References Cited

U.S. PATENT DOCUMENTS

D643,887 S * 8/2011 Keiser A63B 21/0051
D21/667
D786,368 S * 5/2017 Malek D21/663
9,707,440 B2 * 7/2017 Zeng
D797,866 S * 9/2017 Yi-Tzu D21/663
9,750,343 B2 * 9/2017 McBride A47B 83/02
2008/0119334 A1 * 5/2008 Peng A63B 21/0056
482/64
2008/0300113 A1 * 12/2008 Battiston A63B 21/012
482/51
2015/0238805 A1 * 8/2015 Yang A63B 22/0015
482/57
2015/0335936 A1 * 11/2015 Shakespeare A63B 21/0084
482/58
2017/0259111 A1 * 9/2017 Hsieh A63B 22/0605

* cited by examiner

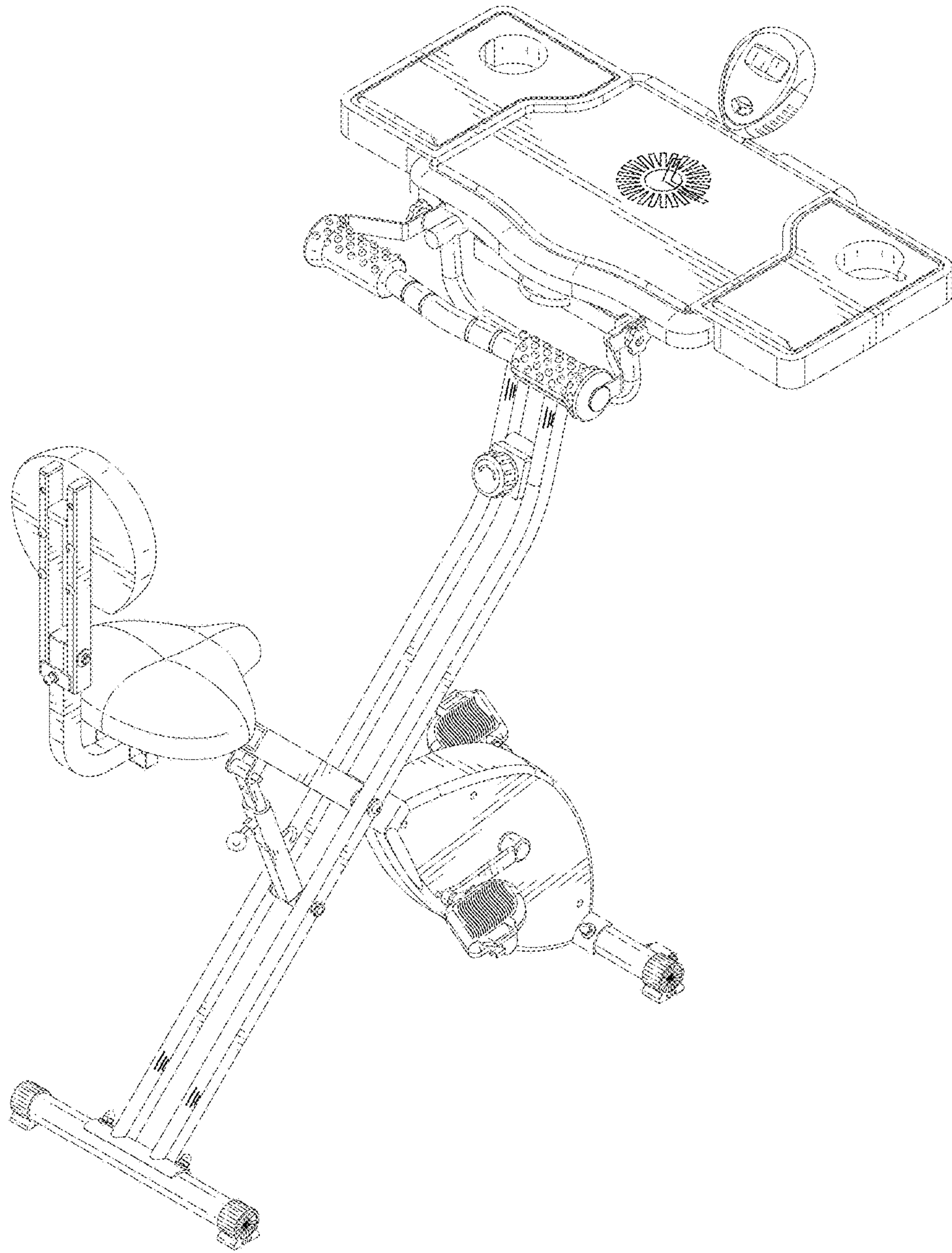


FIG.1

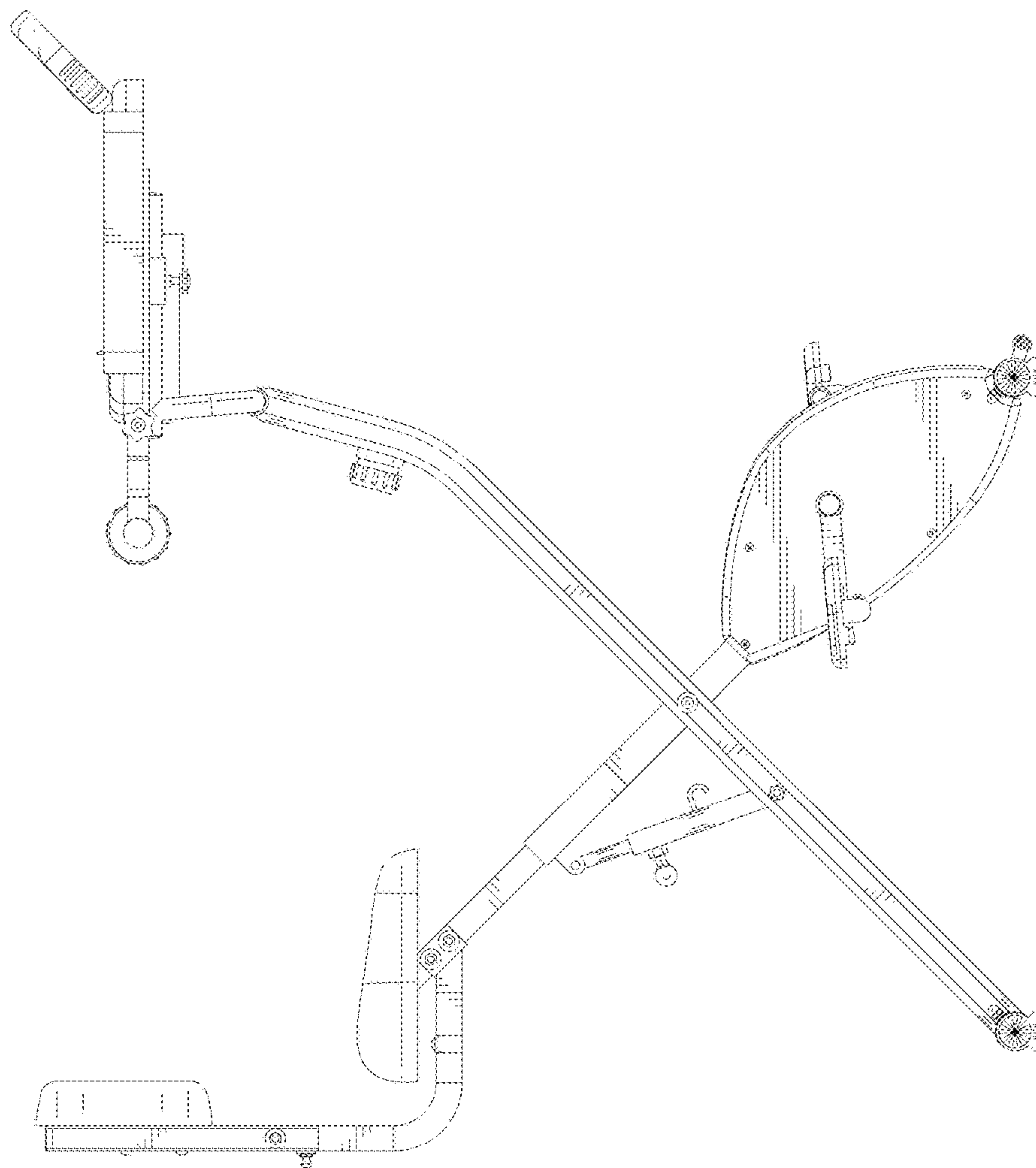


FIG.2

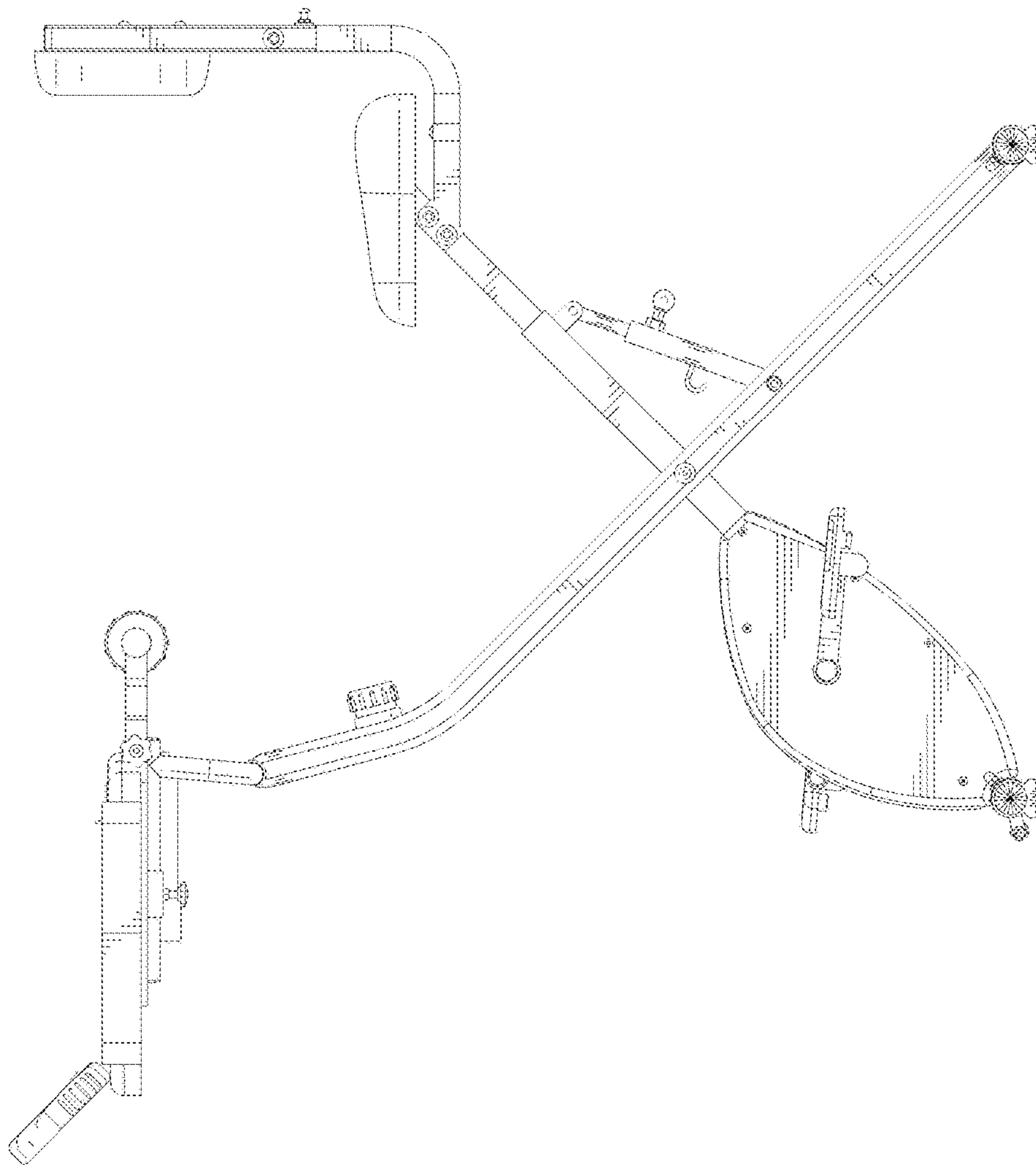


FIG.3

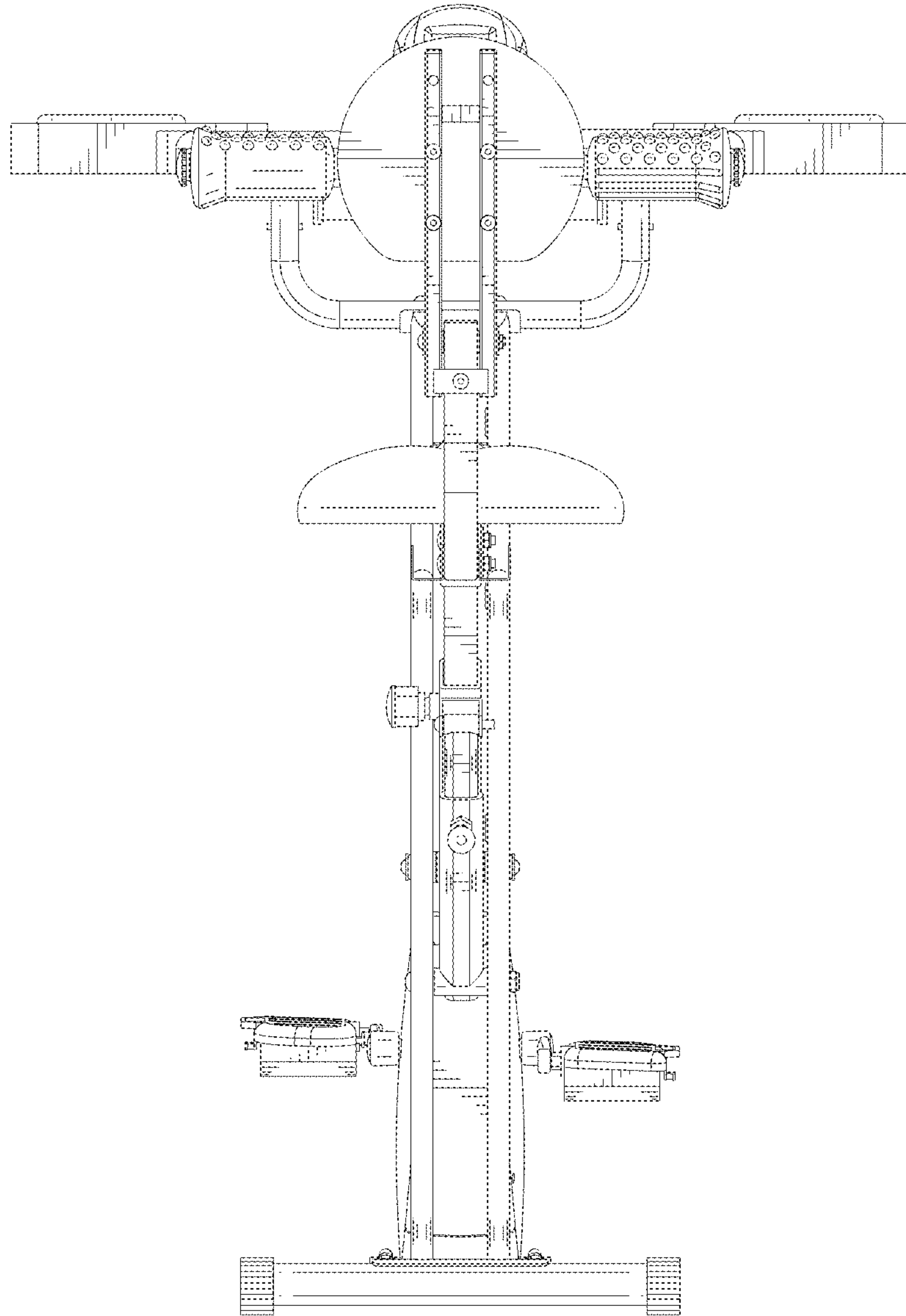


FIG.4

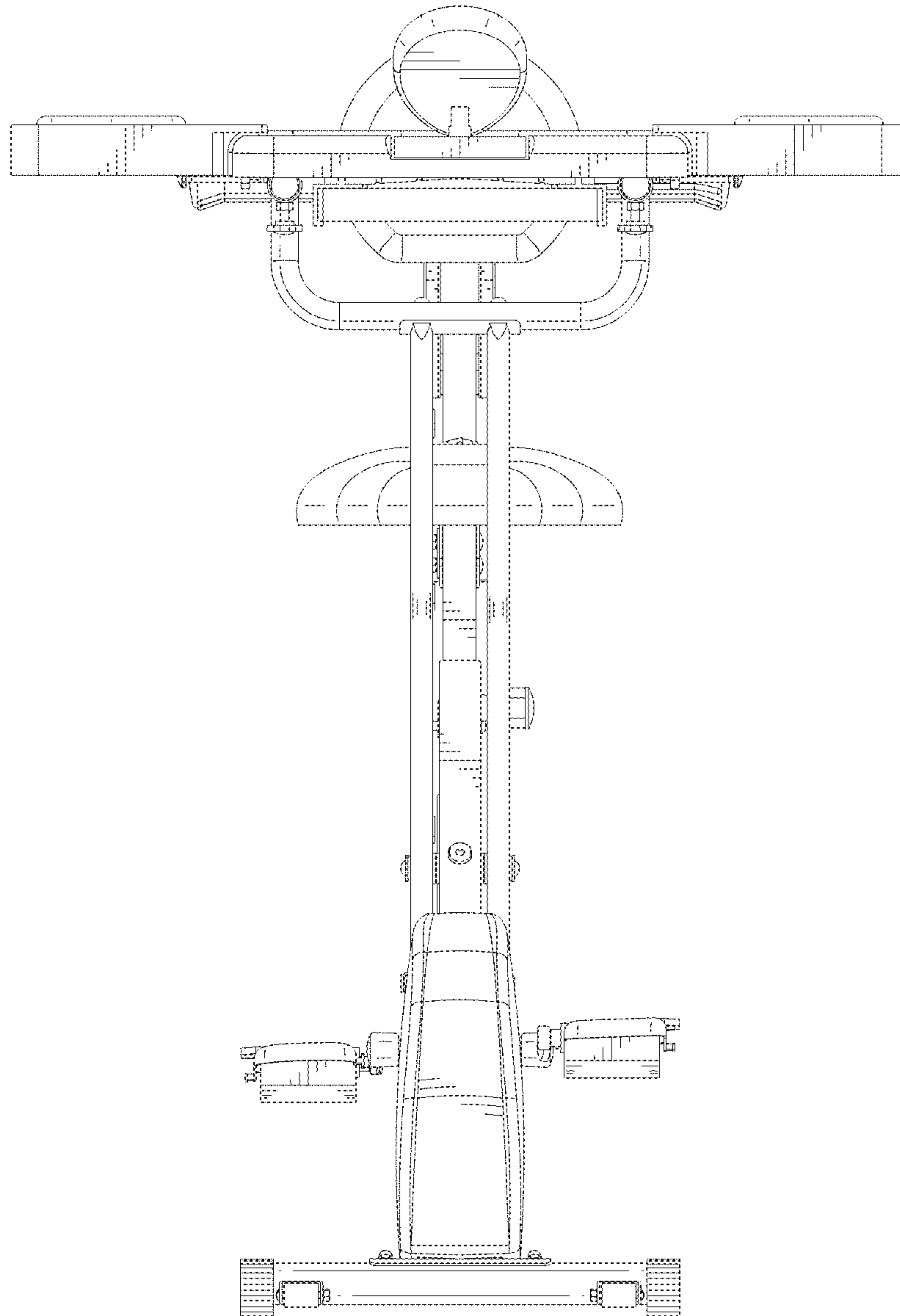


FIG. 5

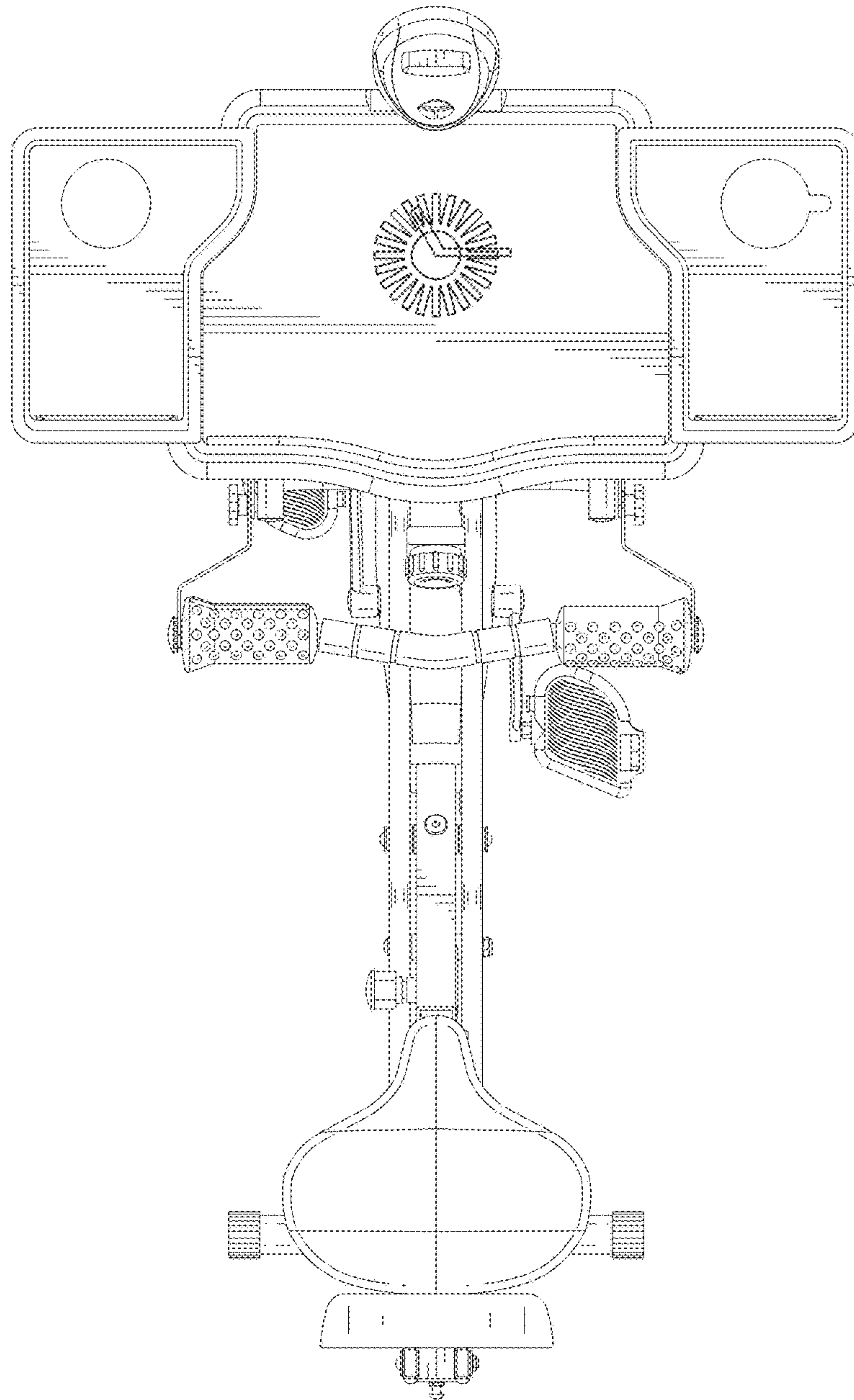


FIG. 6

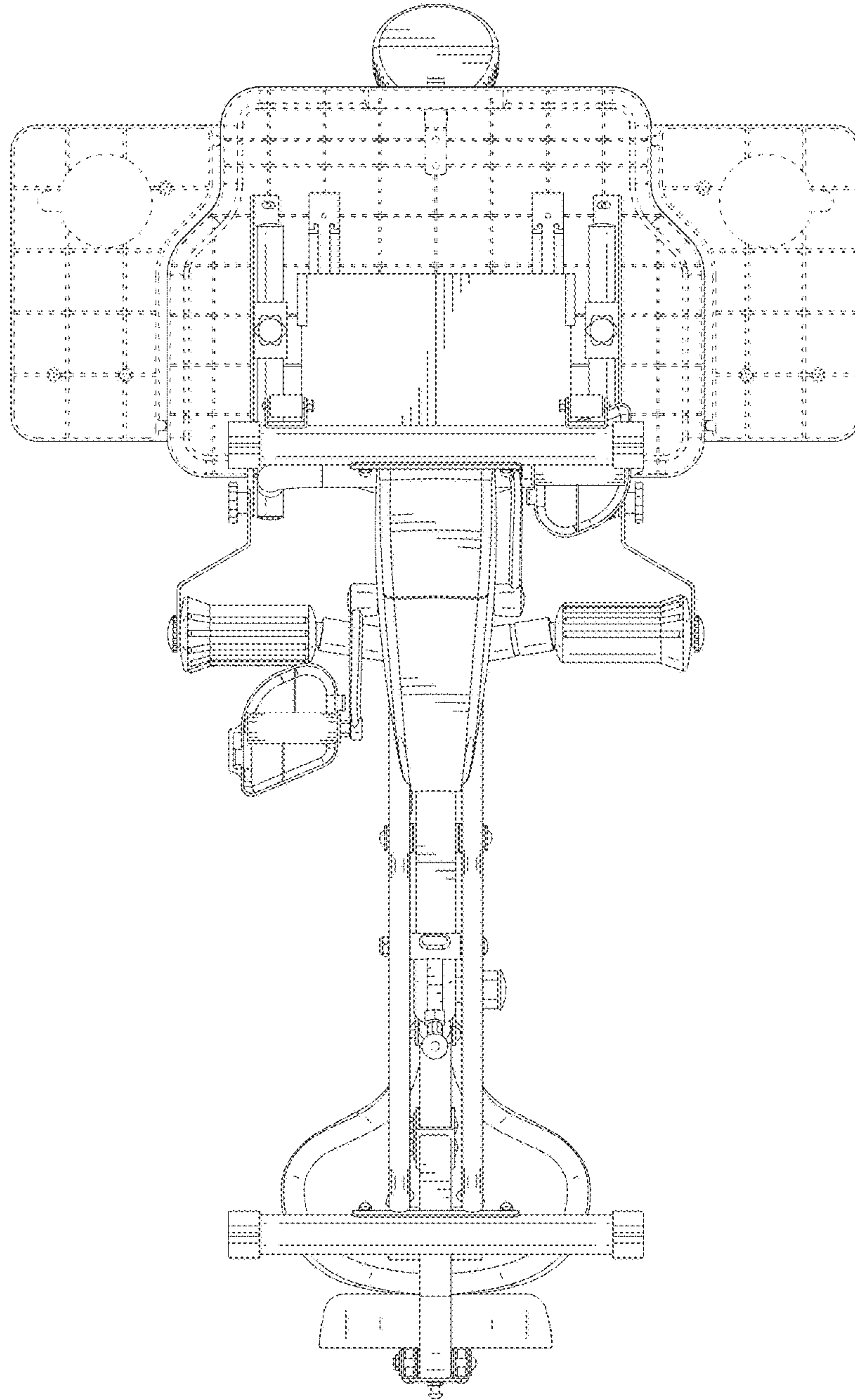


FIG.7