



US00D831751S

(12) **United States Design Patent**
Xu et al.

(10) **Patent No.:** **US D831,751 S**
(45) **Date of Patent:** **** Oct. 23, 2018**

(54) **SCOOTER**

(71) Applicant: **Zhejiang Jinbang Sports Equipment Co., Ltd., Lishui (CN)**

(72) Inventors: **Yongqiang Xu, Lishui (CN); Yuanjun Zhu, Lishui (CN); Yawei Ying, Lishui (CN)**

(73) Assignee: **ZHEJIANG JINBANG SPORTS EQUIPMENT CO., LTD., Lishui (CN)**

(**) Term: **15 Years**

(21) Appl. No.: **29/621,568**

(22) Filed: **Oct. 10, 2017**

(30) **Foreign Application Priority Data**

Apr. 14, 2017 (CN) 2017 3 0125060

(51) **LOC (11) Cl.** **21-01**

(52) **U.S. Cl.**
USPC **D21/423**

(58) **Field of Classification Search**
USPC D21/419, 421, 423, 426, 662, 760, 765,
D21/766, 769, 771, 776, 803
CPC A63C 17/01; A63C 17/011; A63C 17/012;
A63C 17/014; A63C 17/015; A63C
17/02; A63C 17/26; A63C 5/003; B60Q
1/326; B62K 3/001
See application file for complete search history.

(56) **References Cited**

U.S. PATENT DOCUMENTS

D435,873 S * 1/2001 Lee D21/423
D435,874 S * 1/2001 Cheng D21/423
D438,911 S * 3/2001 Chen D21/423
D438,912 S * 3/2001 Barrera D21/423
D497,397 S * 10/2004 Sramek D21/423
D497,957 S * 11/2004 Chuang D21/423

D645,522 S * 9/2011 Powers D21/423
D671,600 S * 11/2012 Home D21/423
D686,674 S * 7/2013 Hadley D21/423
D691,671 S * 10/2013 Chen D21/423
D692,963 S * 11/2013 Radtke D21/423
D693,414 S * 11/2013 Hadley D21/423
D710,949 S * 8/2014 Huang D21/423
D727,434 S * 4/2015 O'Connell D21/423
D727,833 S * 4/2015 Talios D12/423
D728,033 S * 4/2015 O'Connell D21/423
D736,324 S * 8/2015 Lu D21/423
D748,738 S * 2/2016 Hadley D21/423
D750,180 S * 2/2016 Edlauer D21/423
D756,464 S * 5/2016 Edlauer D21/423
D756,465 S * 5/2016 Byrne D21/423

(Continued)

Primary Examiner — Robin V Webster

Assistant Examiner — Keith J Wilson

(74) *Attorney, Agent, or Firm* — Gokalp Bayramoglu

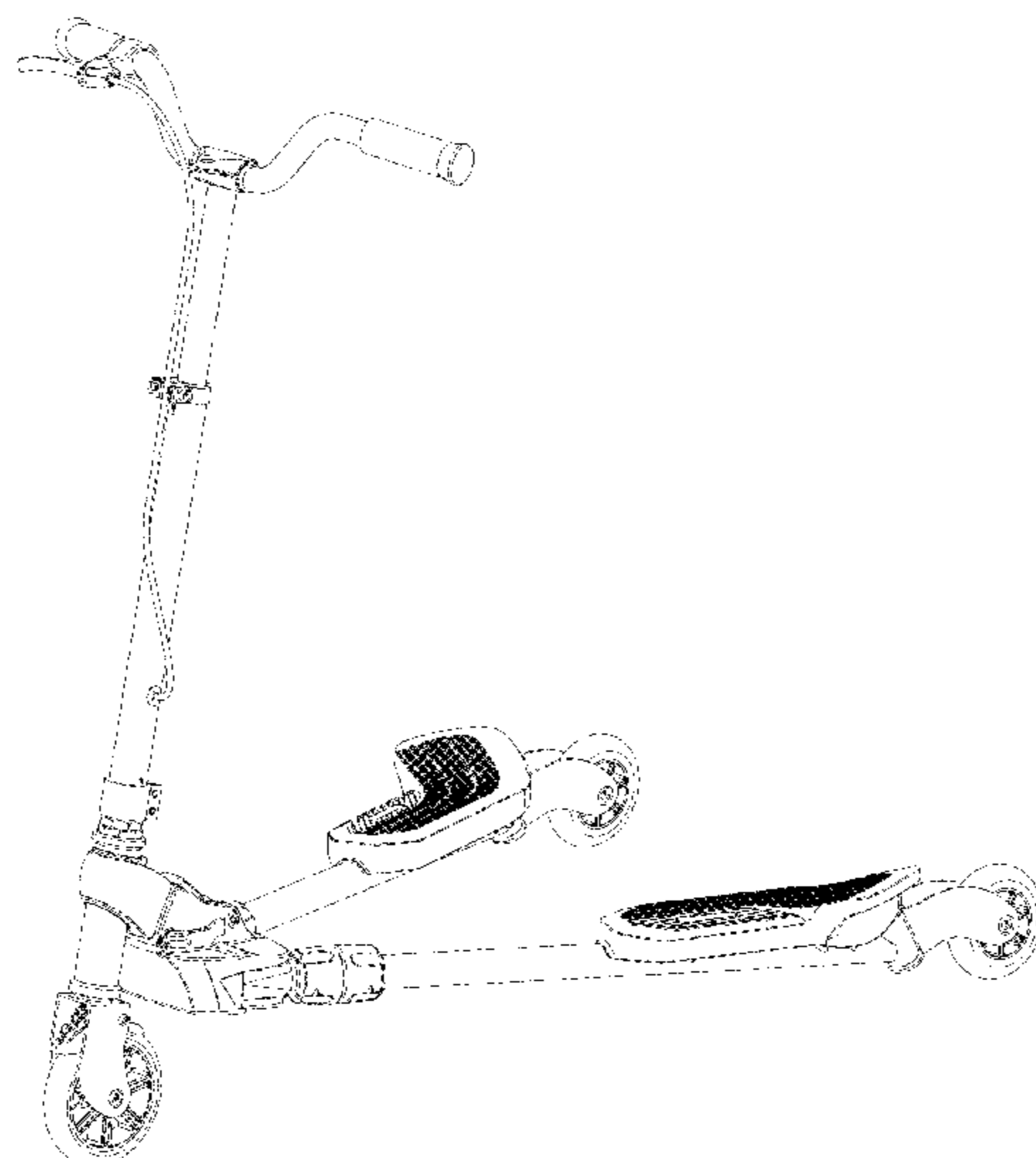
(57) **CLAIM**

The ornamental design for a scooter, as shown and described.

DESCRIPTION

FIG. 1 is a perspective view of a scooter showing the new design;
FIG. 2 is a front view of the scooter;
FIG. 3 is a right side view of the scooter;
FIG. 4 is a left side view of the scooter;
FIG. 5 is a top view of the scooter;
FIG. 6 is a bottom view of the scooter;
FIG. 7 is a partial view of FIG. 5 of the scooter to show the detailed features of the pedal;
FIG. 8 is another partial view of FIG. 5 of the scooter to show the detailed features of the pedal;
FIG. 9 is a partial view of FIG. 4 of the scooter to show the detailed features of the handle portion; and,
FIG. 10 is a partial view of FIG. 2 of the scooter to show the detailed features of the joint.

1 Claim, 10 Drawing Sheets



(56)

References Cited

U.S. PATENT DOCUMENTS

D772,990 S	*	11/2016	Allais	D21/423
D774,145 S	*	12/2016	Hadley	D21/423
D777,261 S	*	1/2017	Desberg	D21/423
D777,844 S	*	1/2017	O Connell	D21/423
D783,724 S	*	4/2017	Pickavance	D12/192
D795,354 S	*	8/2017	Desberg	D21/423
D806,176 S	*	12/2017	Peng	D21/423
D810,836 S	*	2/2018	Hadley	D21/423
D811,489 S	*	2/2018	Hadley	D21/423
D815,215 S	*	4/2018	Desberg	D21/423
D818,541 S	*	5/2018	Huang	D21/423

* cited by examiner

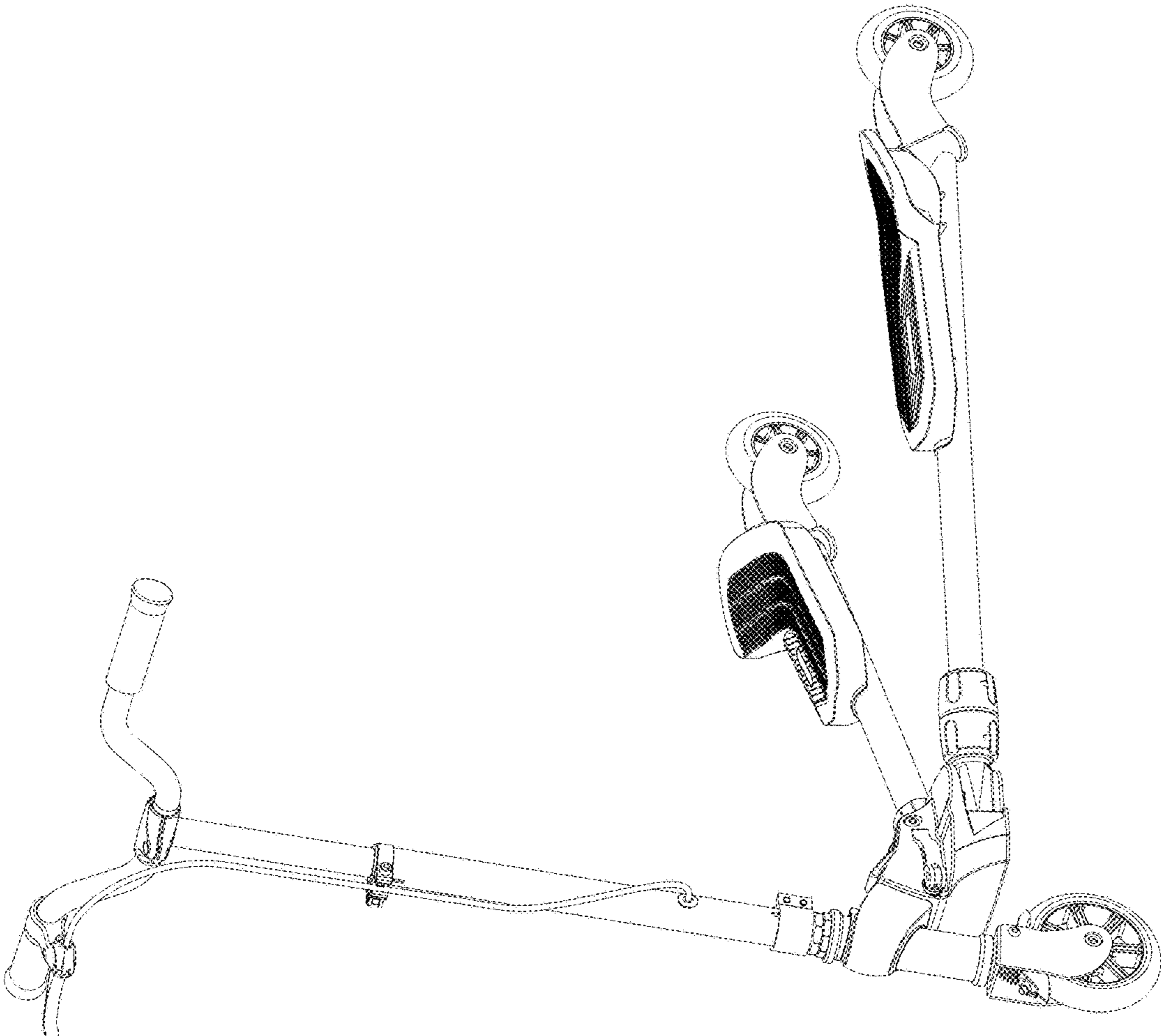


Figure 1

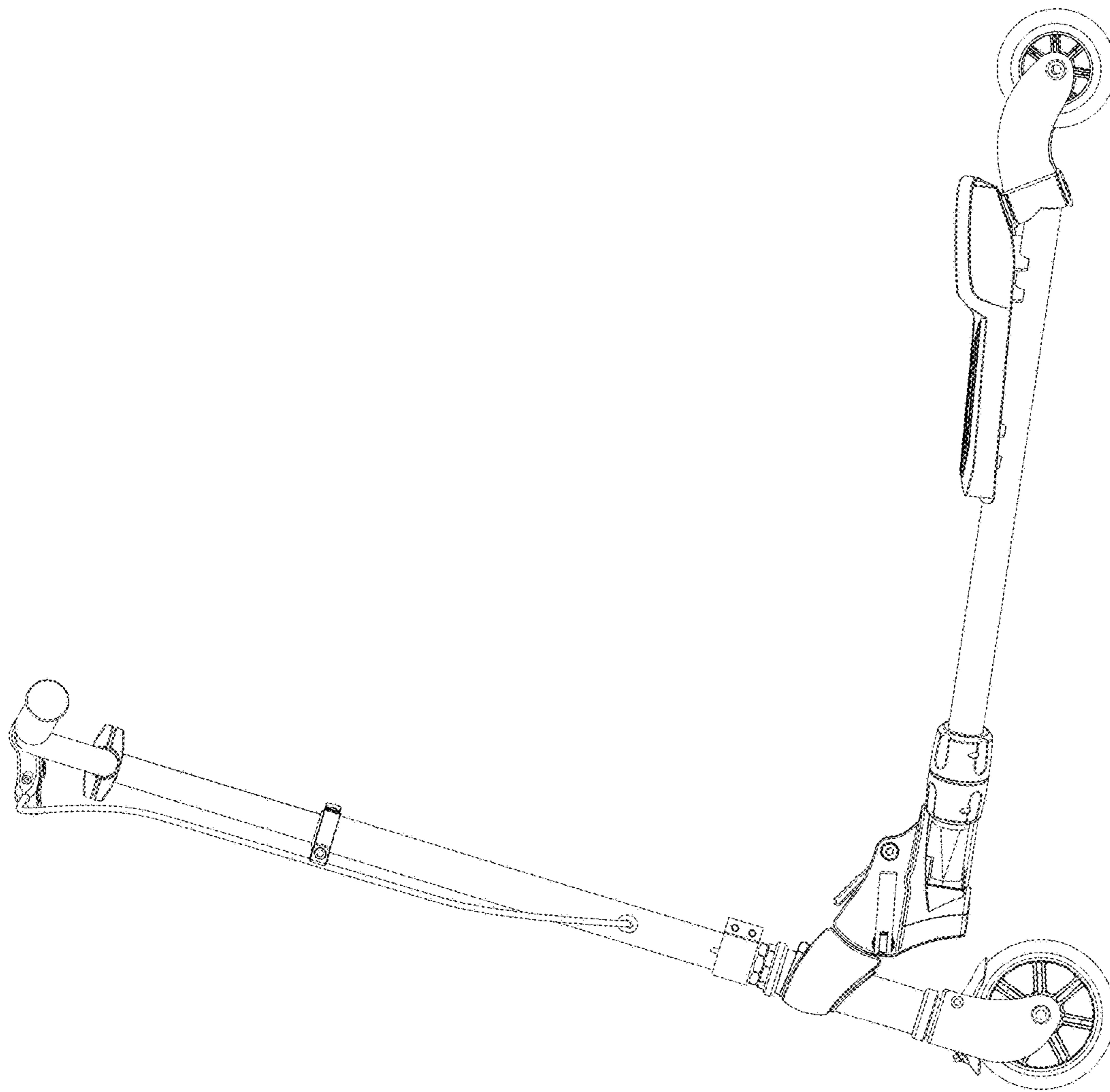


Figure 2

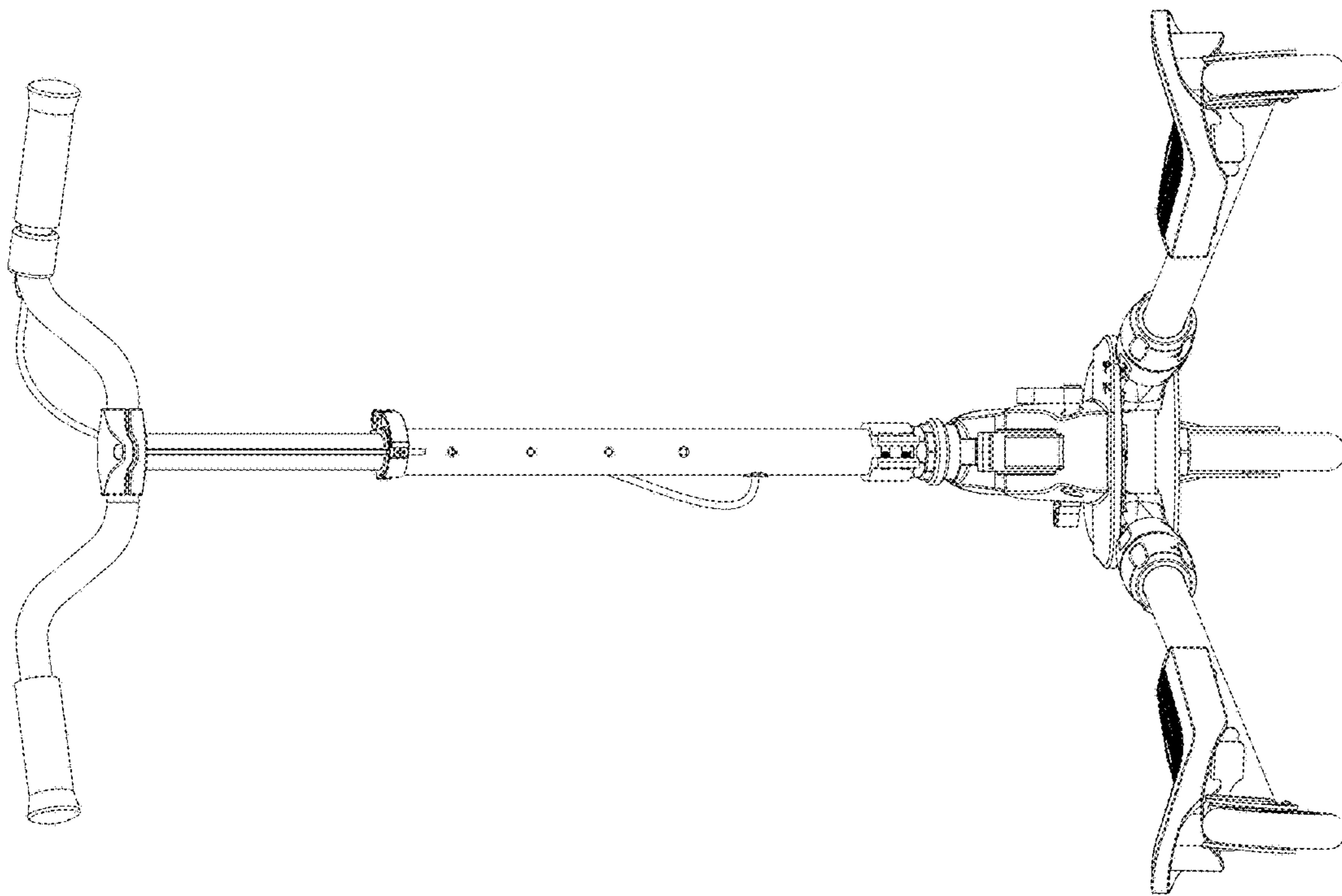


Figure 3

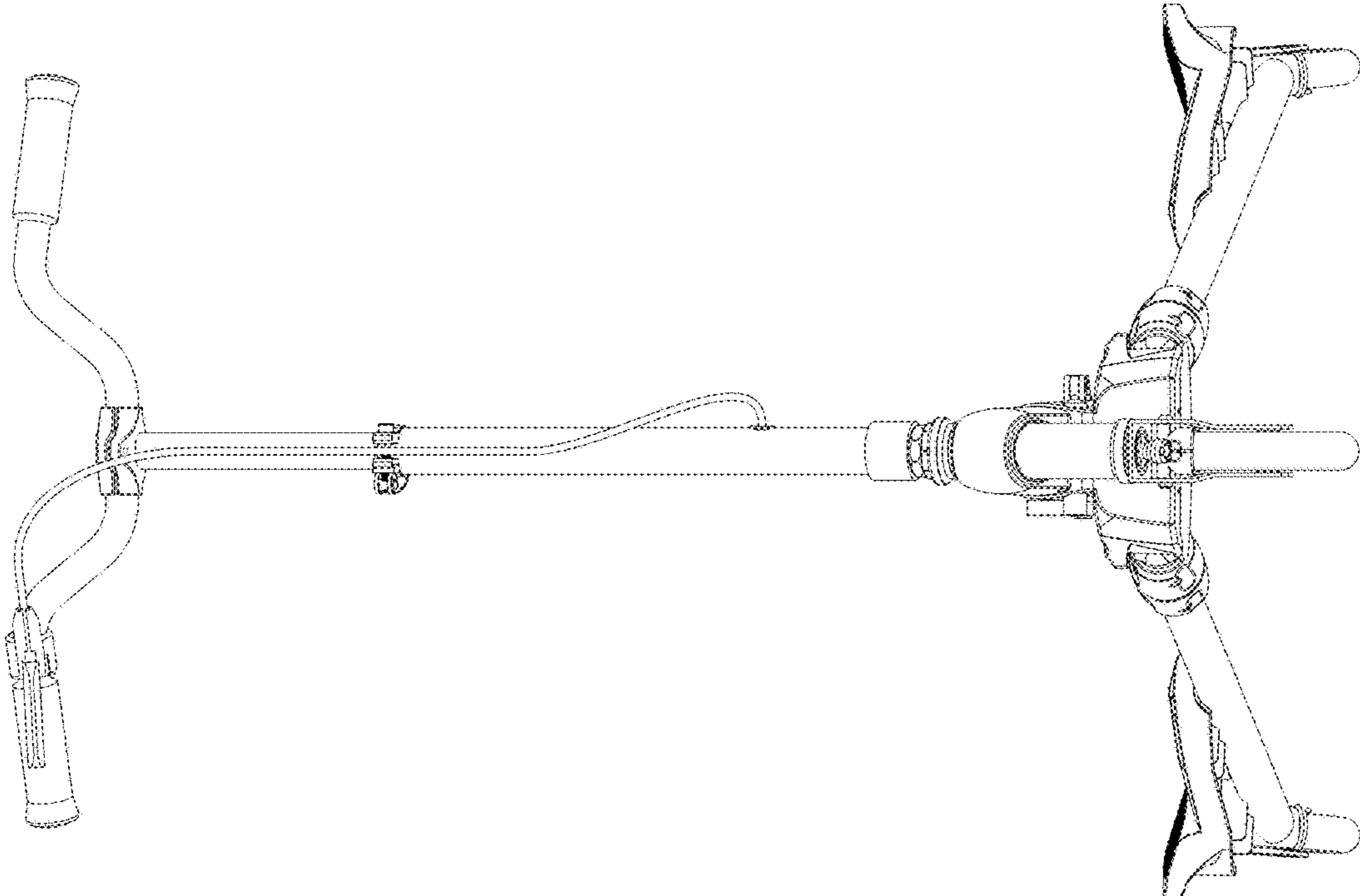


Figure 4

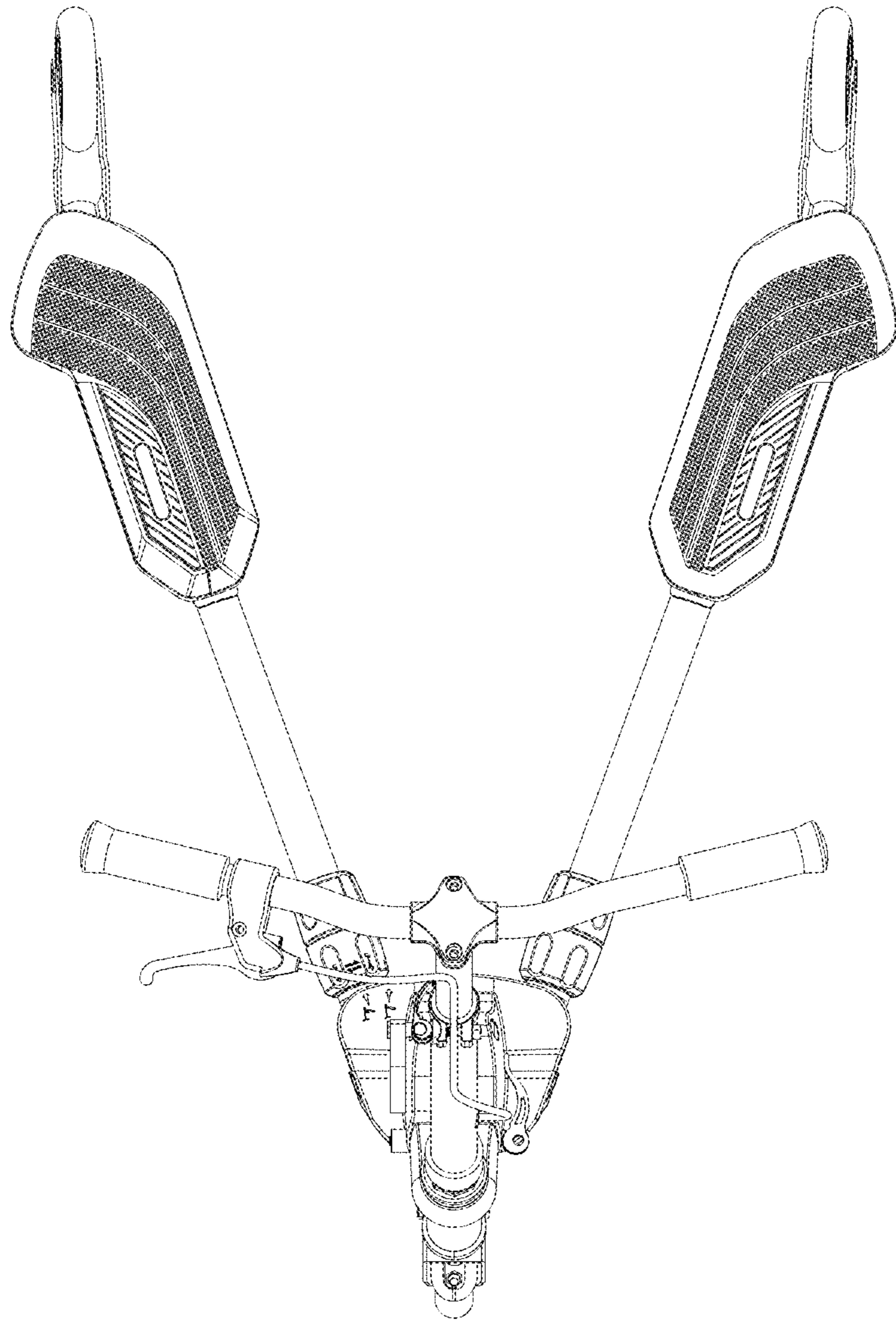


Figure 5

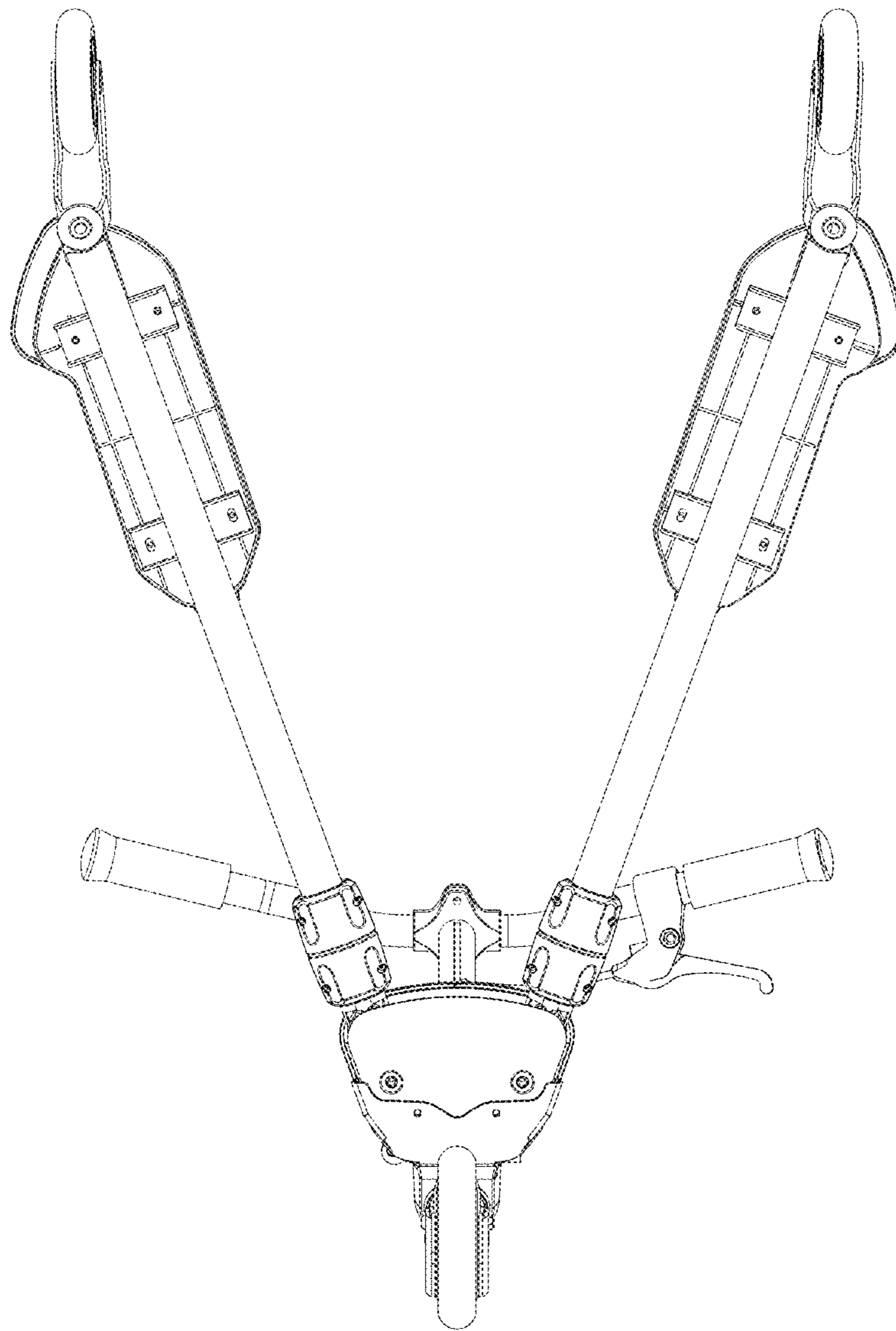


Figure 6

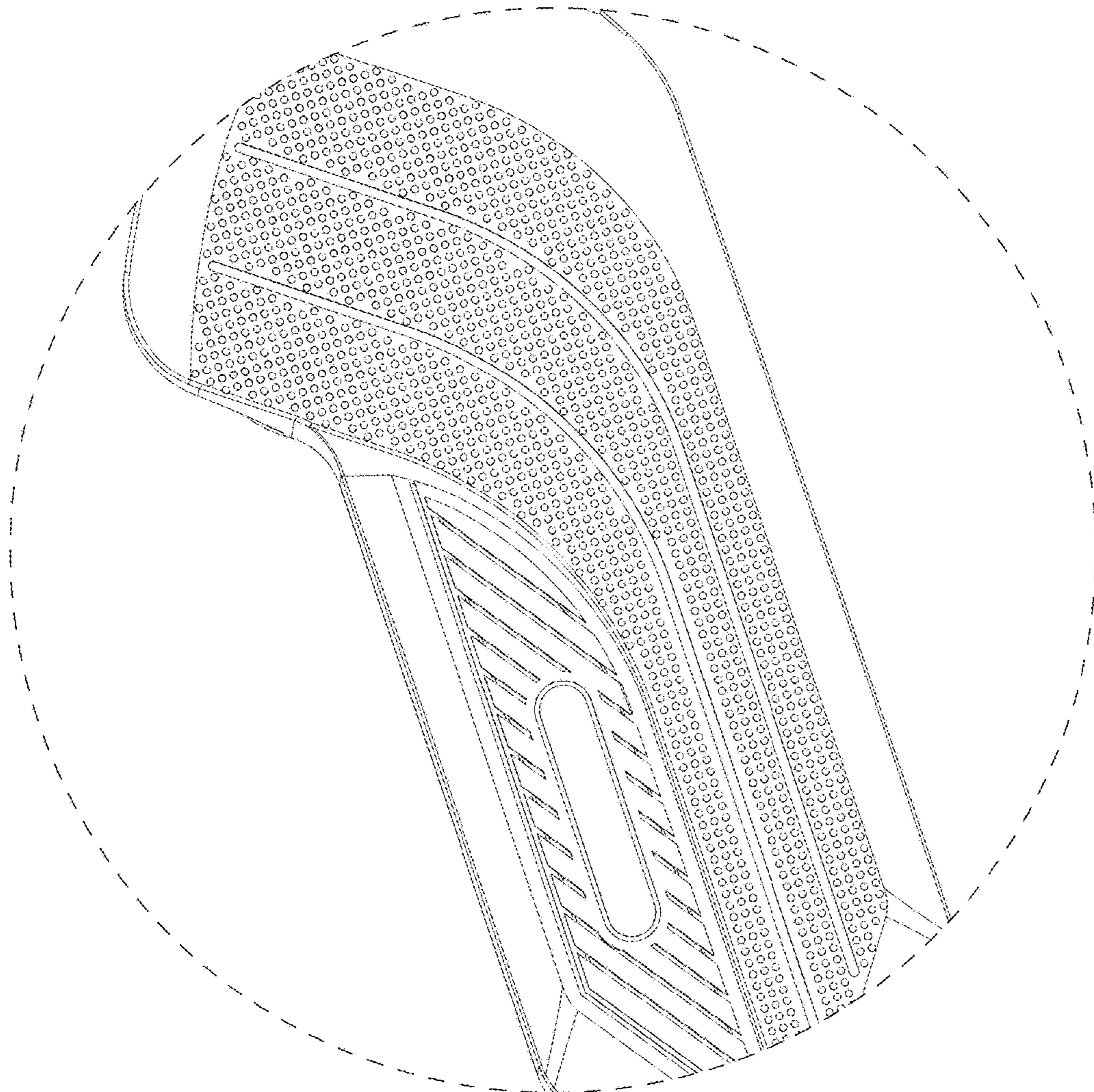


Figure 7

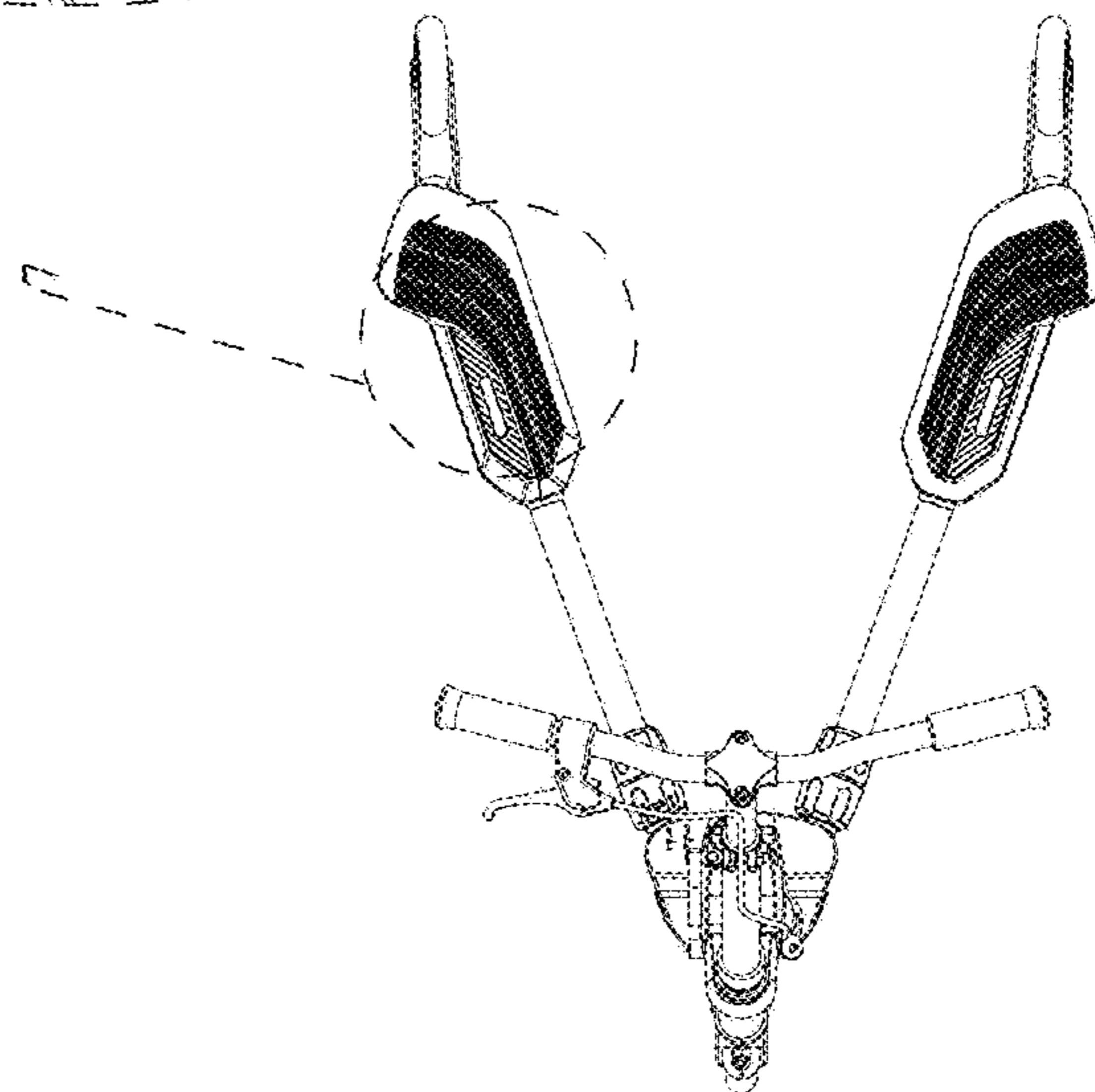


Figure 5

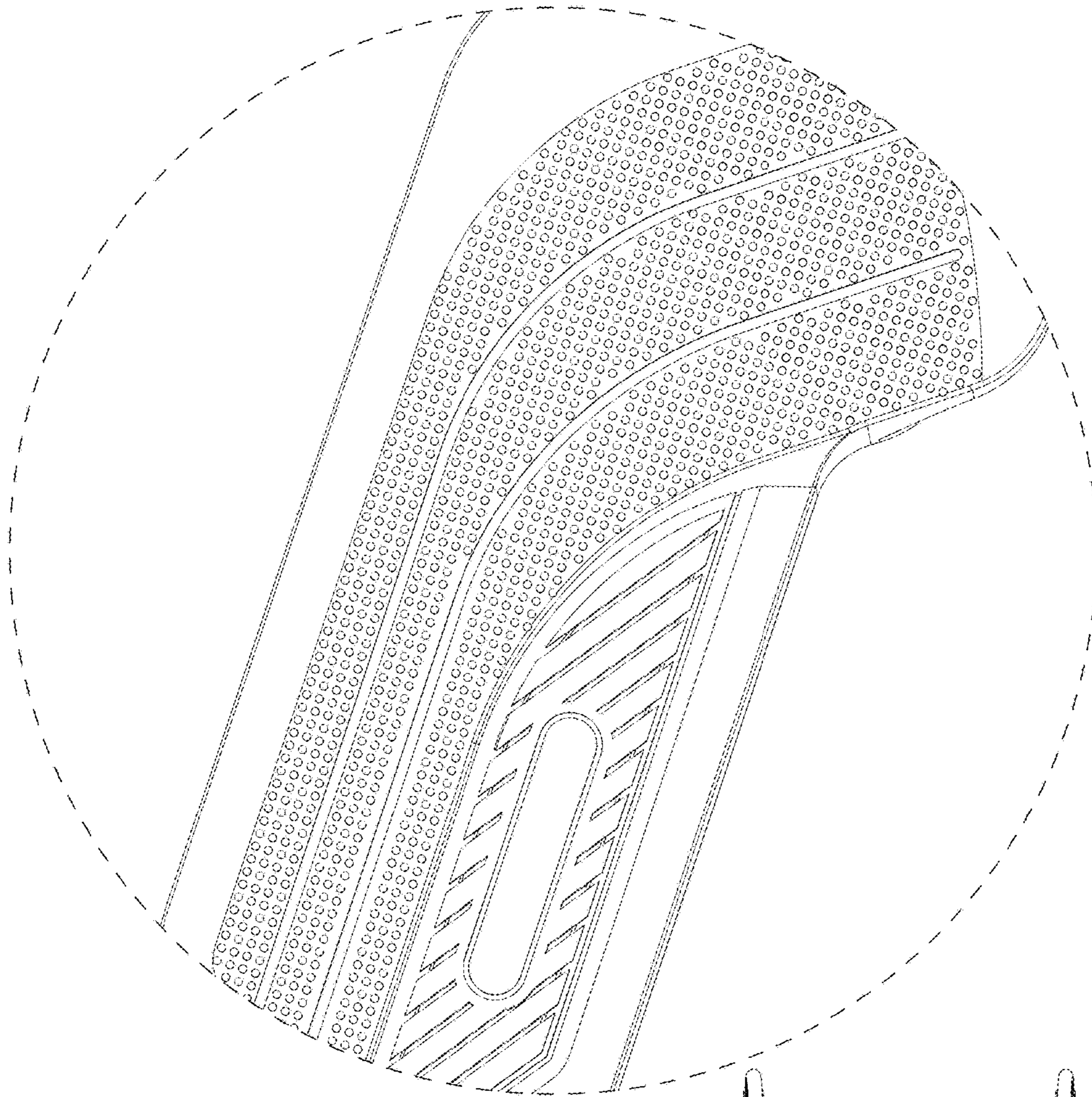


Figure 8

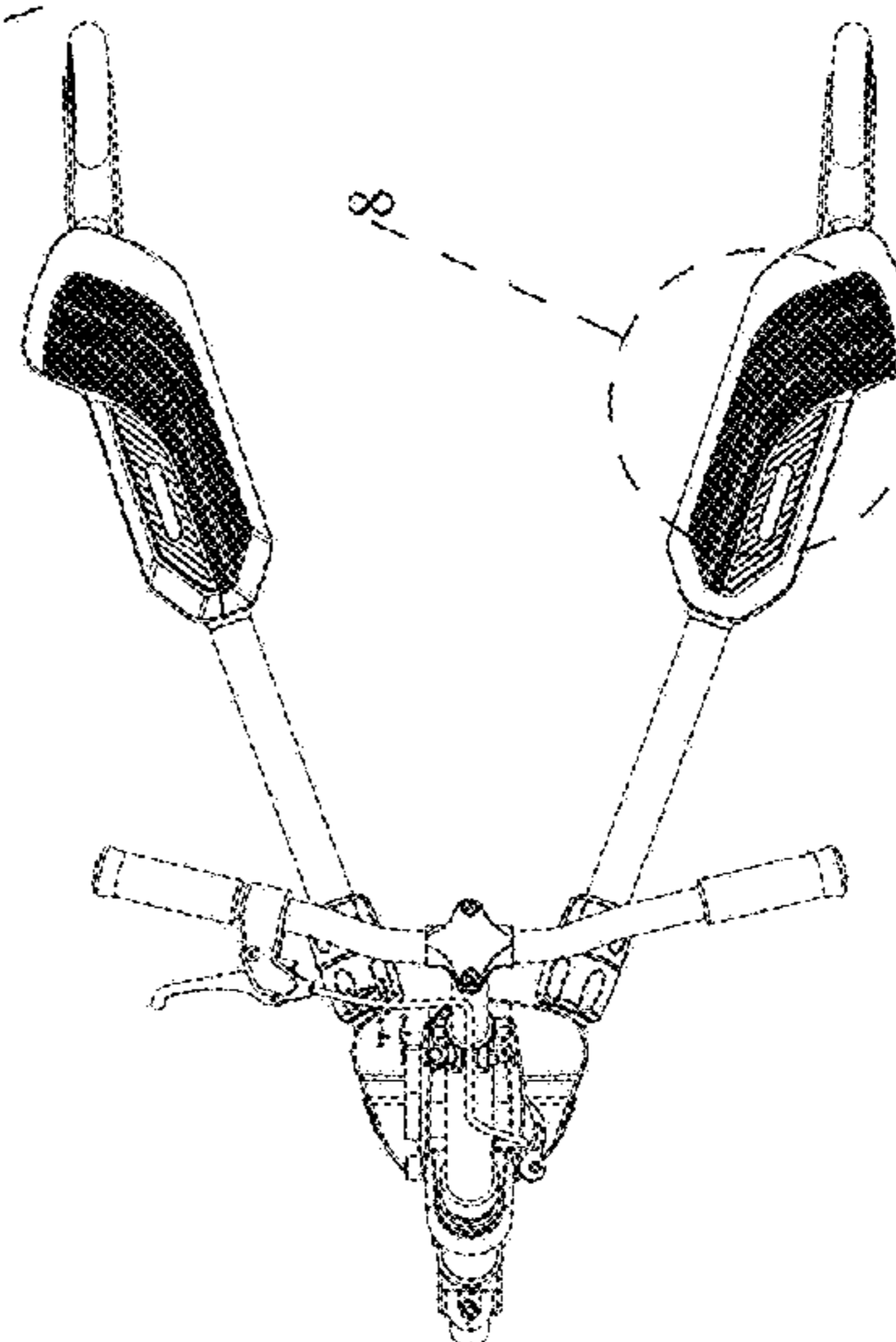


Figure 5

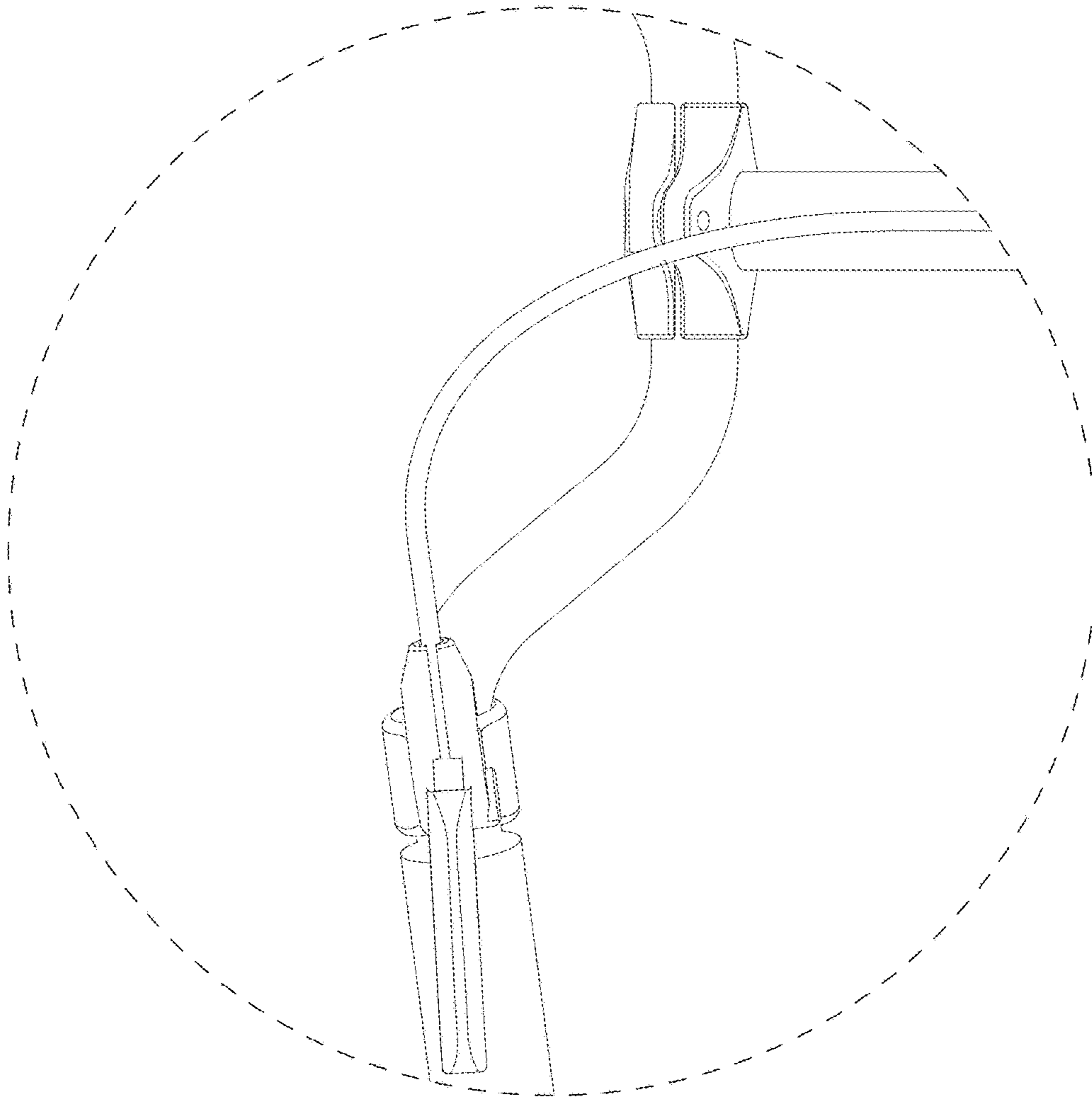


Figure 9

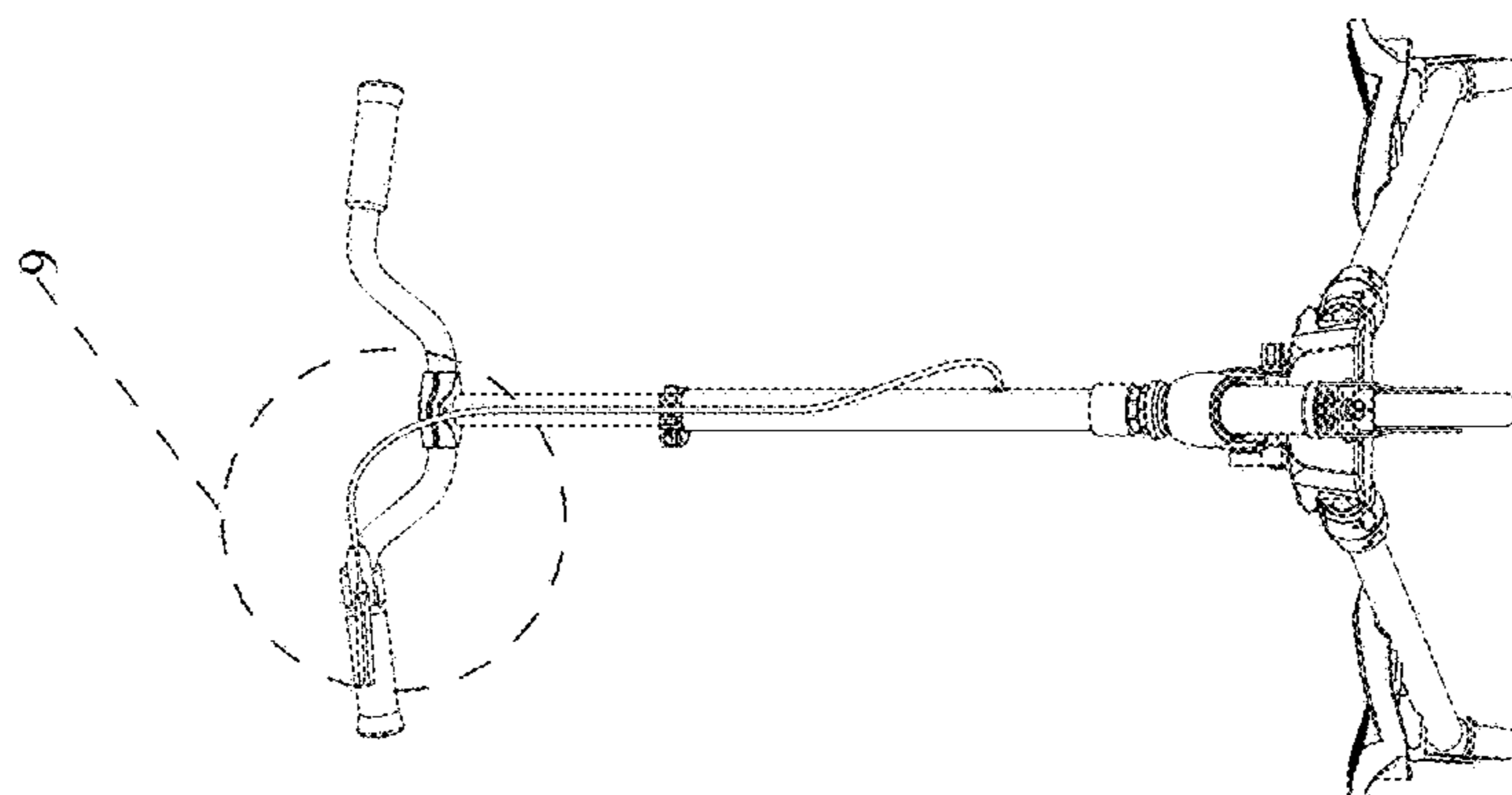


Figure 4

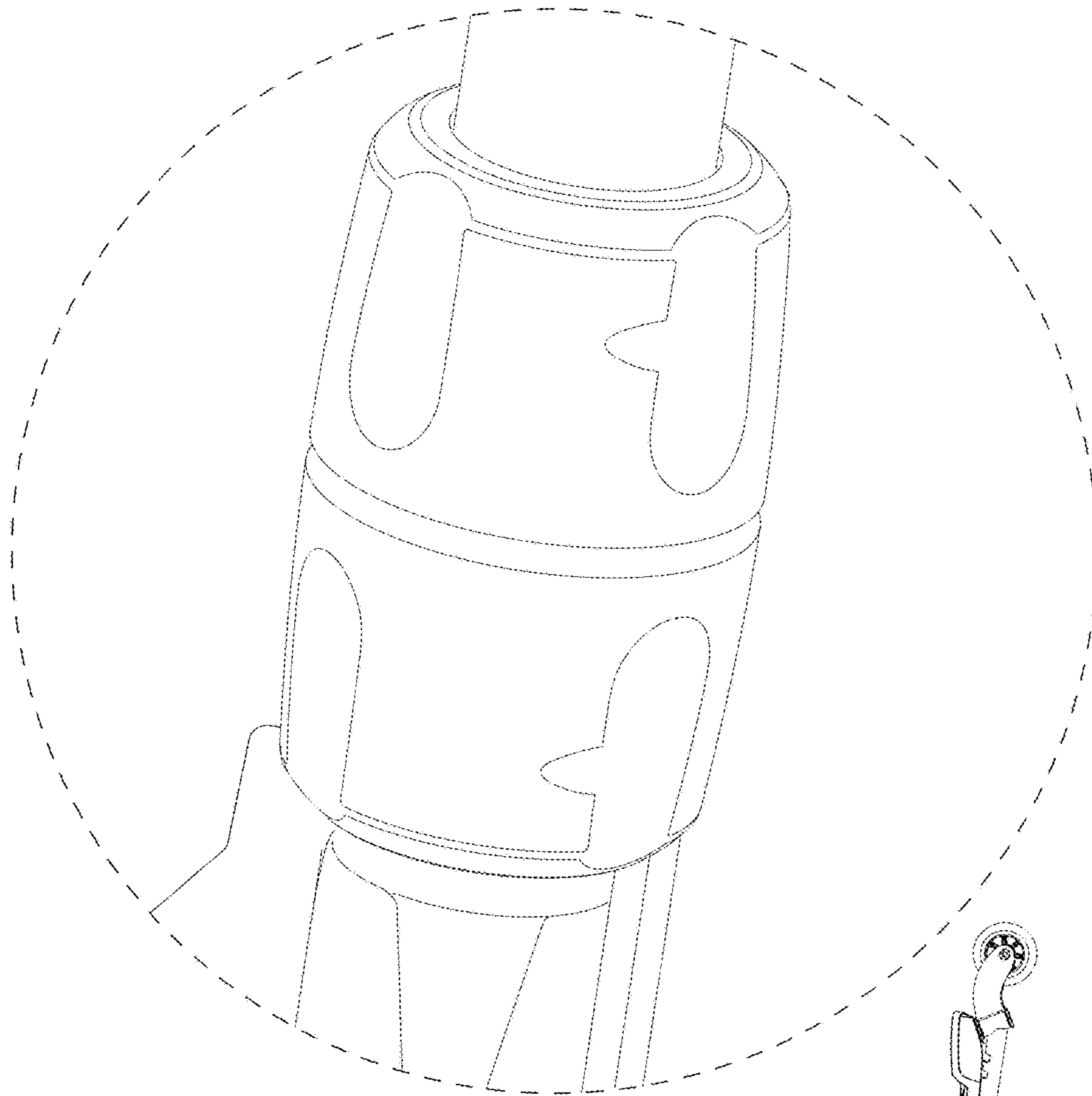


Figure 10

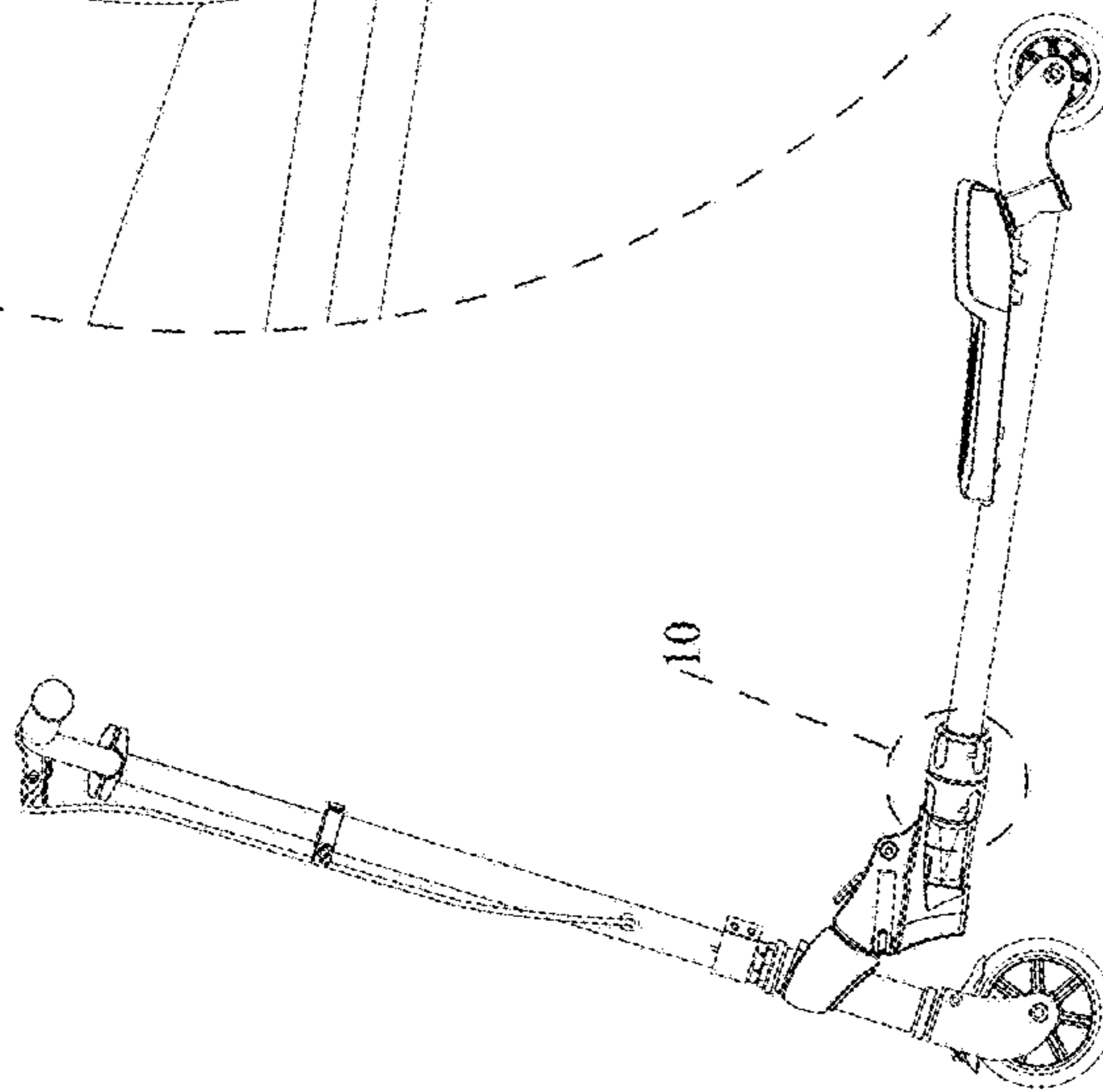


Figure 2