



US00D831745S

(12) **United States Design Patent**
He

(10) **Patent No.:** **US D831,745 S**
(45) **Date of Patent:** **** Oct. 23, 2018**

(54) **PEN HOLDER**
(71) Applicant: **Shenzhen Chifang E-Commerce Co., Ltd.**, Shenzhen (CN)
(72) Inventor: **Feitong He**, Shenzhen (CN)
(73) Assignee: **SHENZHEN CHIFANG E-COMMERCE CO., LTD.**, Shenzhen (CN)
(**) Term: **15 Years**
(21) Appl. No.: **29/623,066**
(22) Filed: **Oct. 23, 2017**
(30) **Foreign Application Priority Data**

1,206,976 A * 12/1916 Barth B43K 23/012
401/8
1,879,456 A * 9/1932 Parsons B43K 23/004
401/7
2,709,419 A * 5/1955 Appel B43K 23/012
15/443
4,846,710 A * 7/1989 Campbell G09B 11/02
434/166
D318,295 S * 7/1991 Sze D19/100
D344,880 S * 3/1994 Salas, Jr. D19/135
5,310,345 A * 5/1994 Gershon G09B 11/02
15/443
D373,143 S * 8/1996 Jagger D19/203
D396,059 S * 7/1998 Plantz 401/6
D410,682 S * 6/1999 Izushima D19/174
6,019,533 A * 2/2000 Smith B43K 23/008
15/443
D432,168 S * 10/2000 Provda D19/203
D478,741 S * 8/2003 White D19/77
D546,823 S * 7/2007 Dayan D14/253

(Continued)

Oct. 16, 2017 (EM) 004406650
(51) **LOC (11) Cl.** **19-06**
(52) **U.S. Cl.**
USPC **D19/203; D19/81**
(58) **Field of Classification Search**
USPC D19/32, 75, 77-85, 135, 202-204;
D3/315, 901, 206; D6/677.3; D7/590,
D7/641; D9/415, 457, 722; D28/73;
D20/28, 40, 42
CPC .. B43K 23/001; B43K 23/002; B43K 23/004;
B43K 23/008; B43K 23/012; B43K
23/016; B43K 23/04; B43M 99/006;
B43M 99/008
See application file for complete search history.

Primary Examiner — Elizabeth A. Albert

(57) **CLAIM**

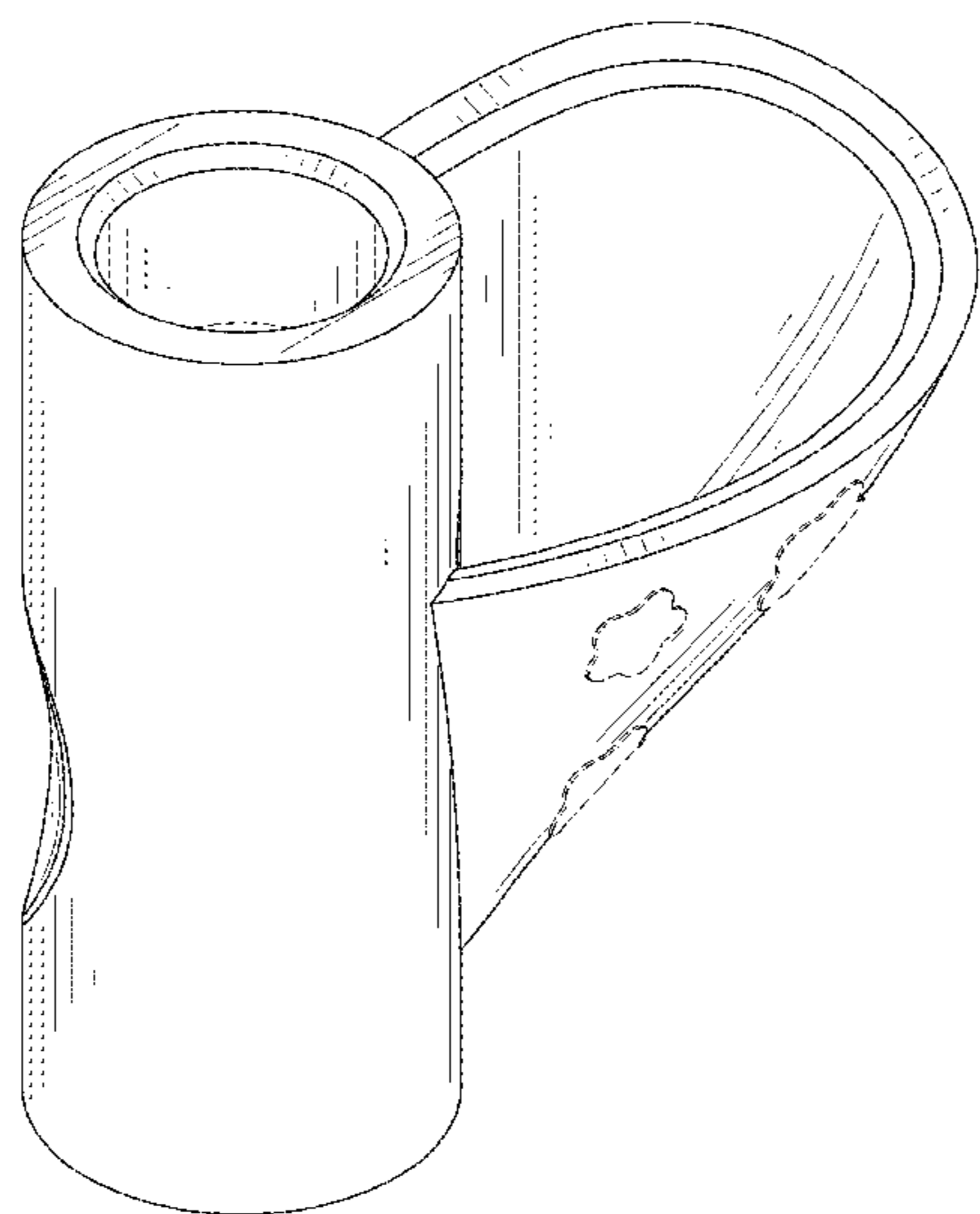
The ornamental design for a pen holder, as shown and described.

DESCRIPTION

FIG. 1 is a perspective view of the pen holder showing my new design;
FIG. 2 is a view taken from the opposite end to that shown in FIG. 1.
FIG. 3 is a front elevational view thereof;
FIG. 4 is a rear elevational view thereof;
FIG. 5 is a left side elevational view thereof;
FIG. 6 is a right side elevational view thereof;
FIG. 7 is a top plan view thereof; and,
FIG. 8 is a bottom plan view thereof.
The broken lines are for the purposes of illustrating portions of the pen holder and form no part of the claimed design.

(56) **References Cited**
U.S. PATENT DOCUMENTS
198,484 A * 12/1877 Briggs B43K 23/012
401/8
1,125,405 A * 1/1915 Seabaugh B43K 23/012
15/443

1 Claim, 8 Drawing Sheets



(56)

References Cited

U.S. PATENT DOCUMENTS

D591,345 S * 4/2009 Yu D19/121
D609,339 S * 2/2010 Myers A61M 37/0076
D24/133
D611,540 S * 3/2010 Li D19/203
D615,591 S * 5/2010 Li D19/203
D651,648 S * 1/2012 Luettgens D19/203
D664,415 S * 7/2012 Gomez D8/98
D668,294 S * 10/2012 Luettgens D19/203
D706,870 S * 6/2014 Pookrum D19/203
D782,895 S * 4/2017 Provda D19/203
2002/0072455 A1* 6/2002 Akins A63B 21/0724
482/93
2004/0126556 A1* 7/2004 Nowak A46B 5/021
428/304.4

* cited by examiner

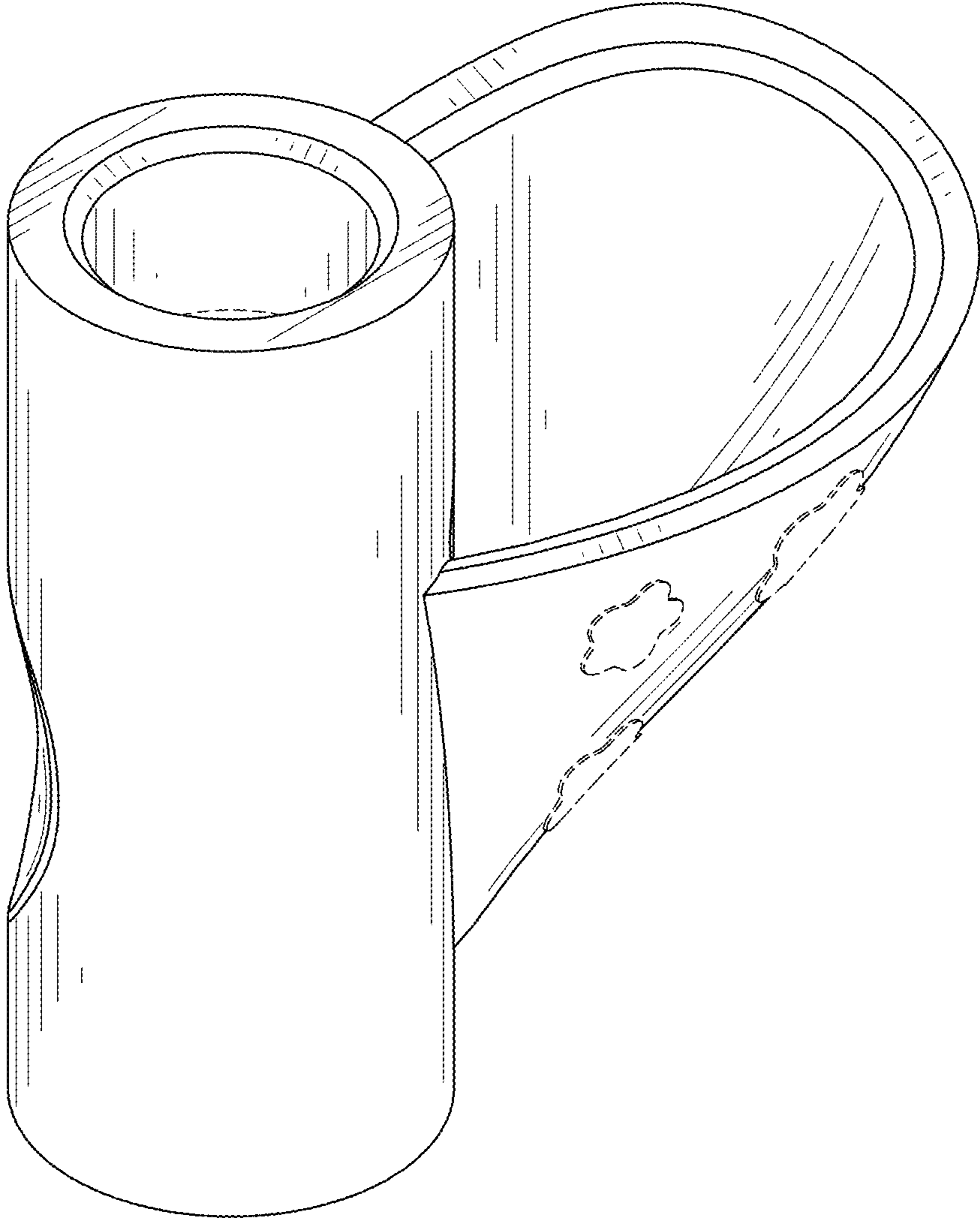


FIG. 1

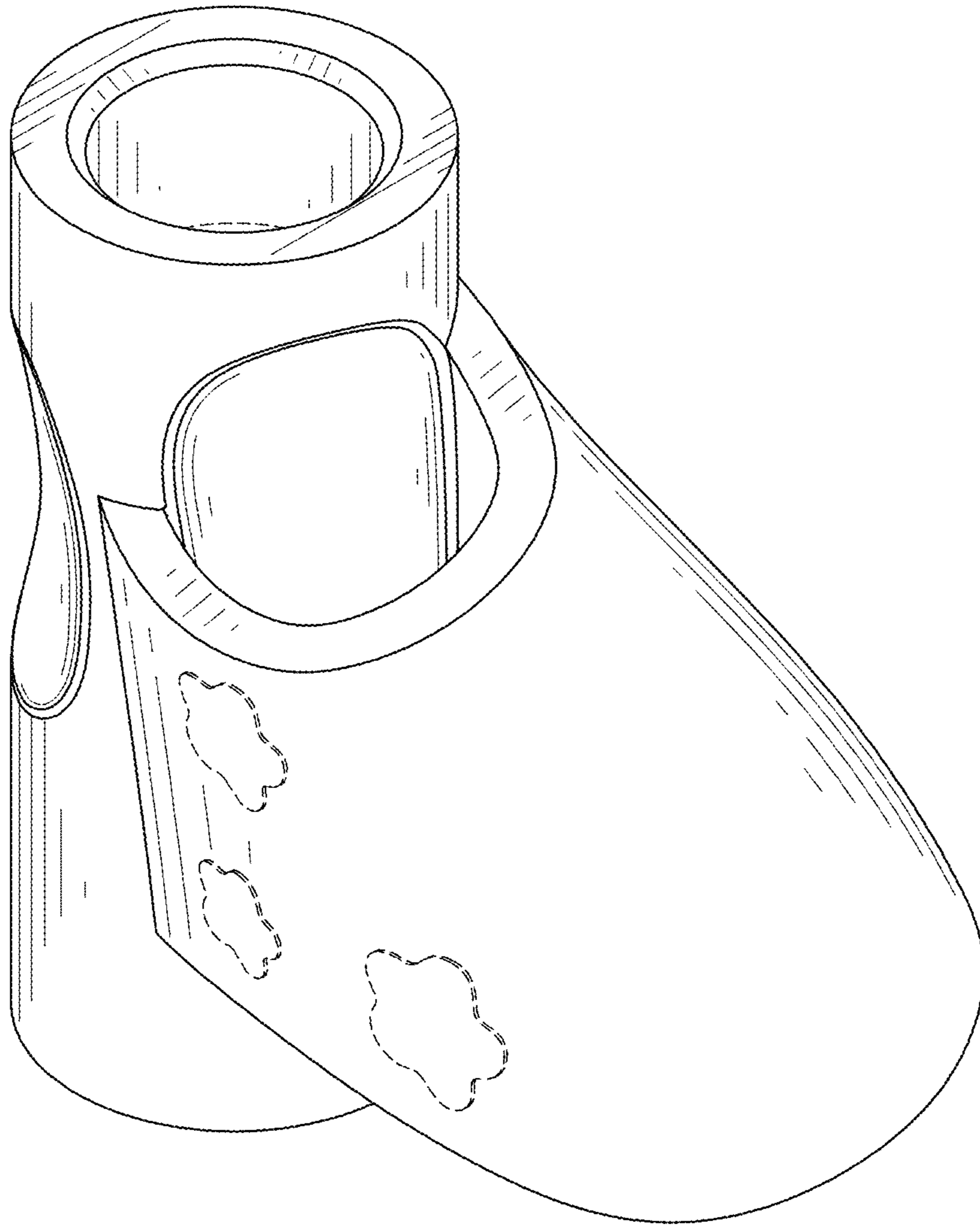


FIG. 2

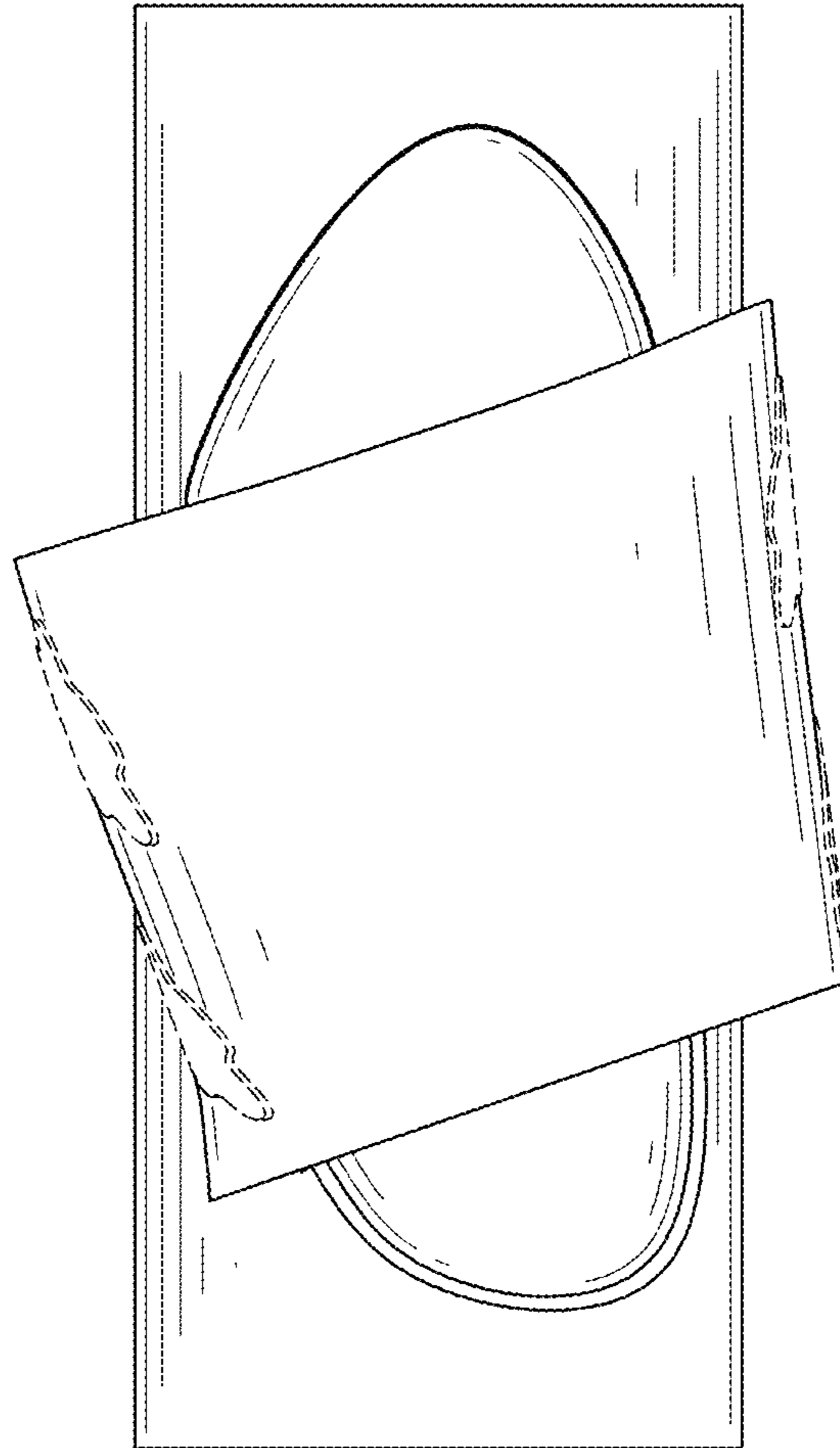


FIG. 3

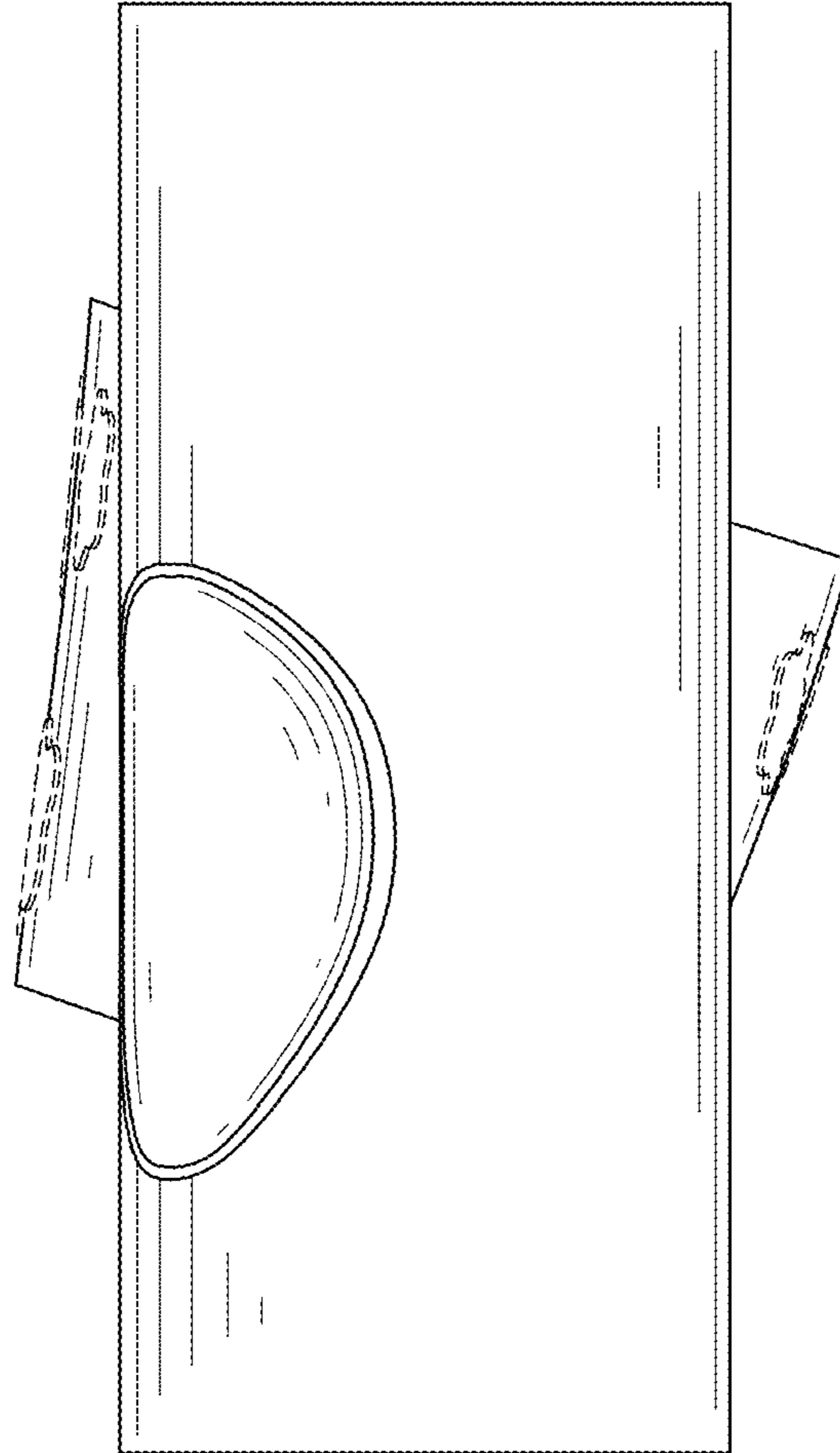


FIG. 4

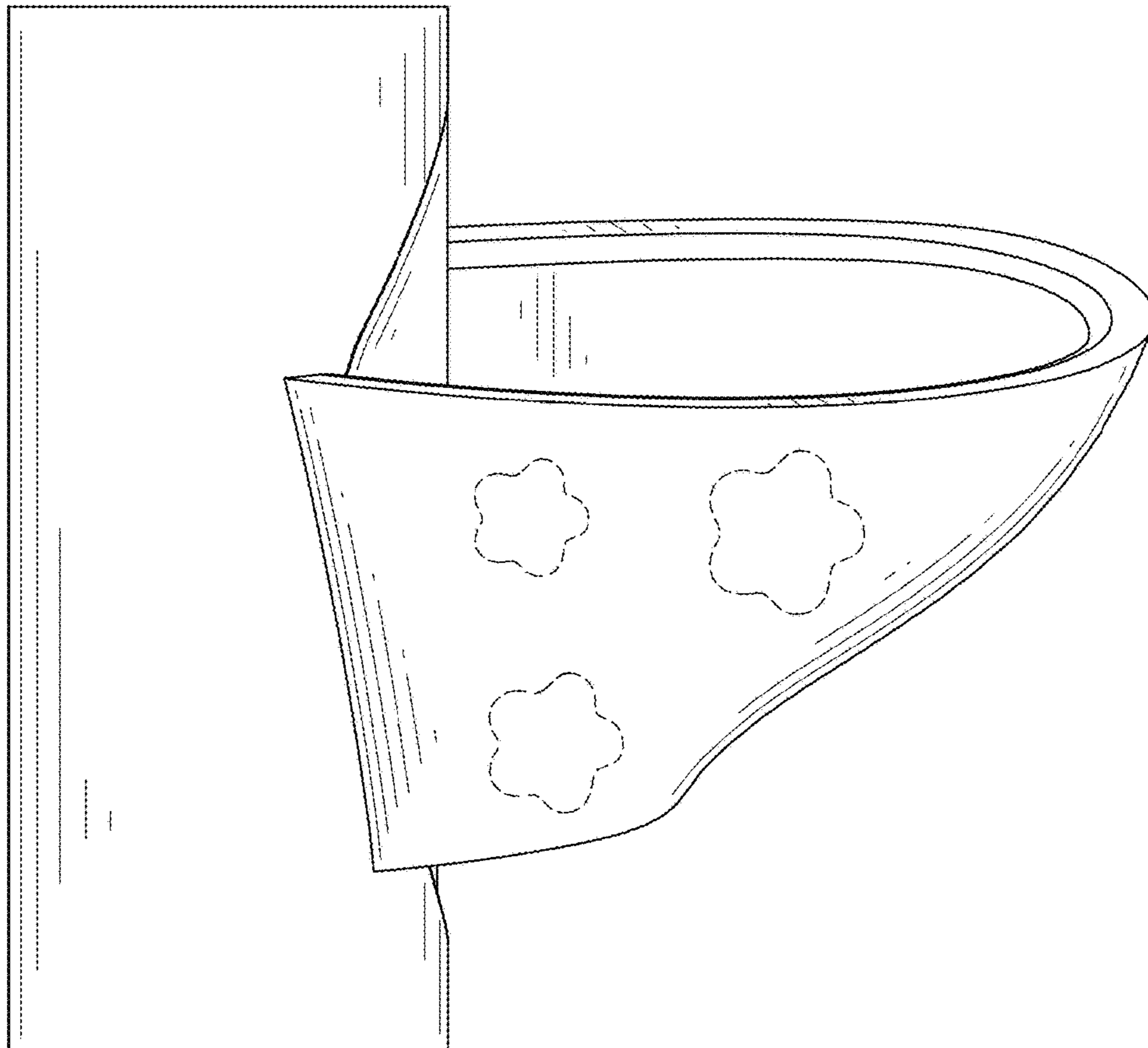


FIG. 5

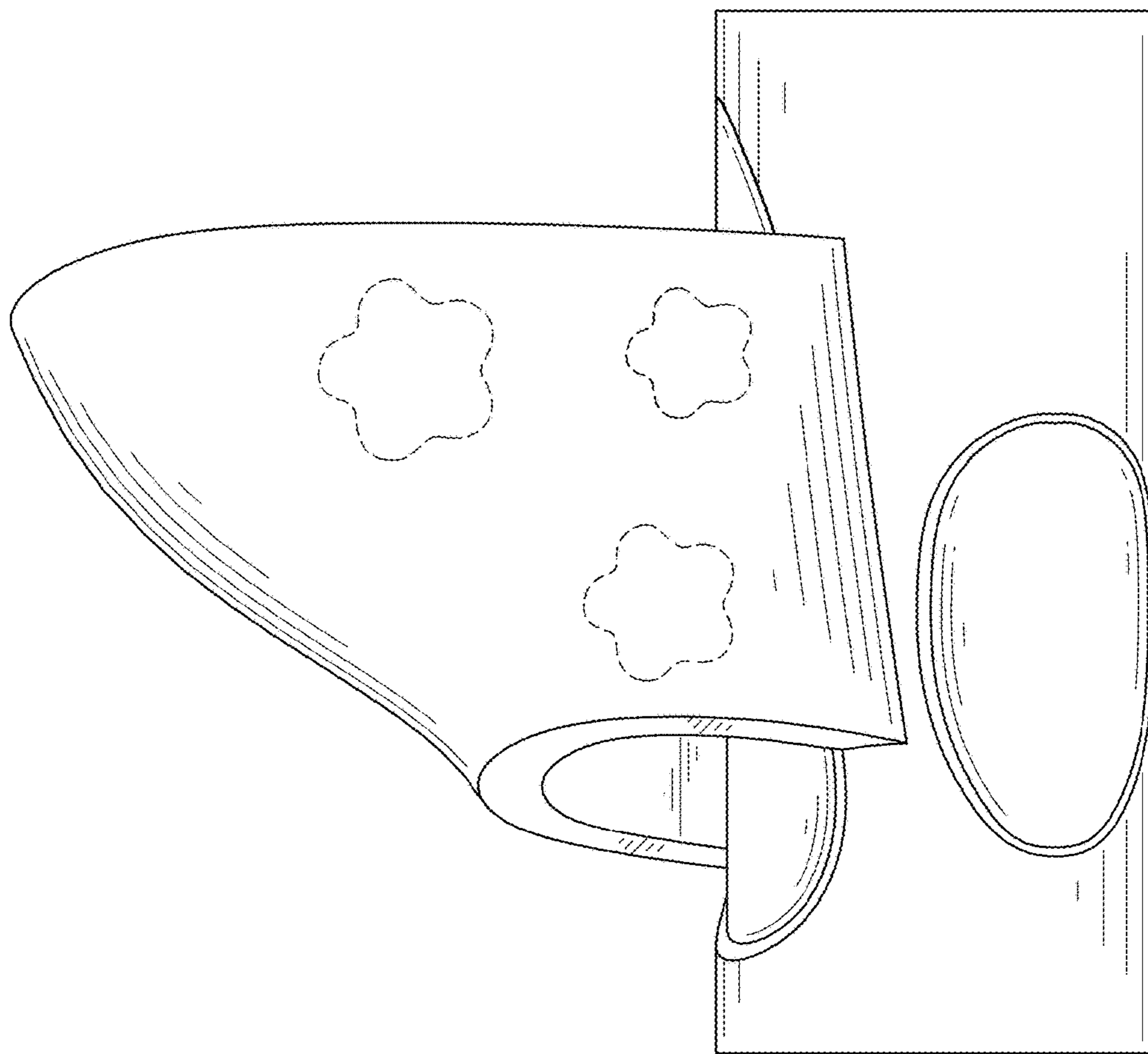


FIG. 6

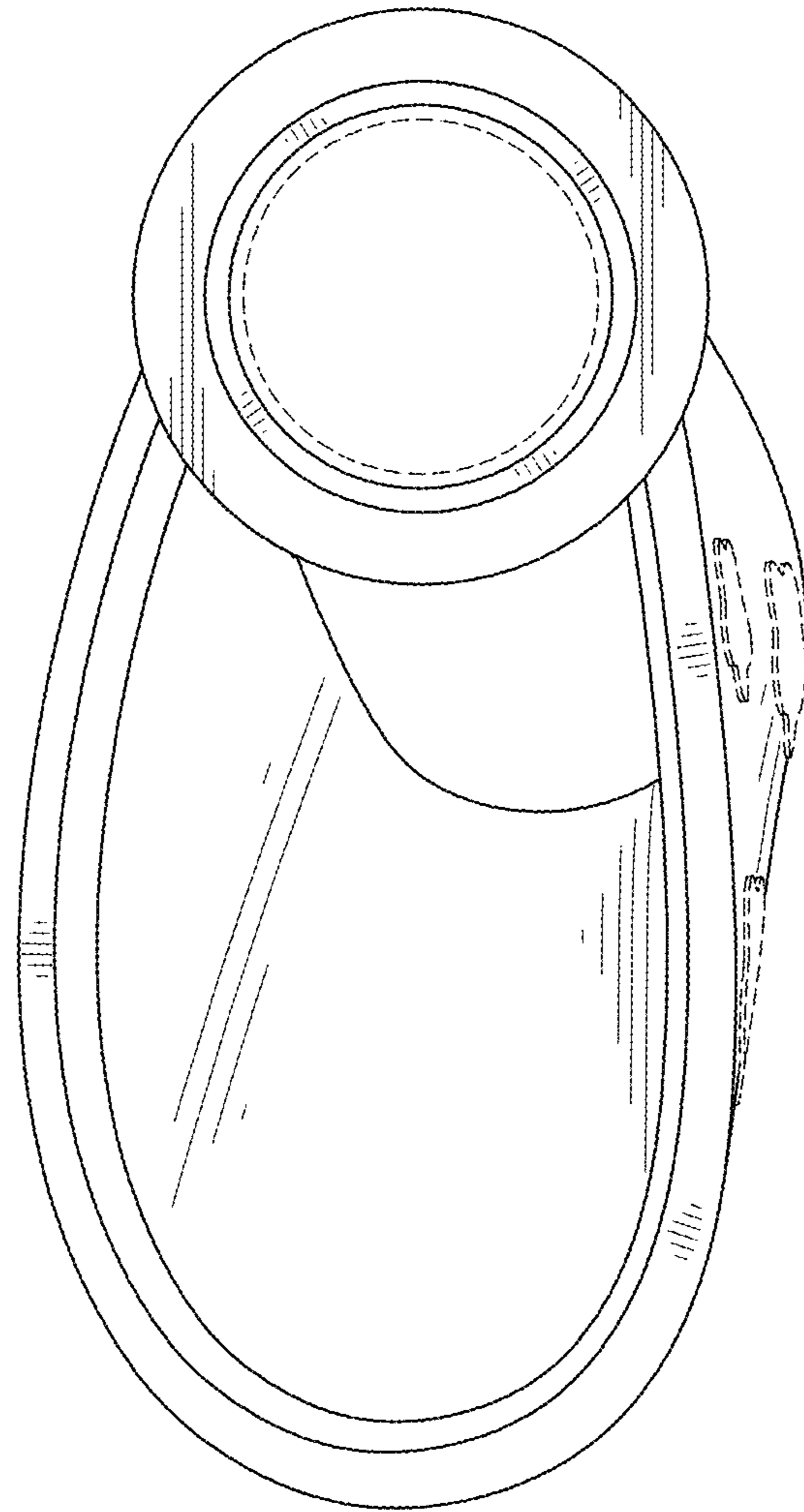


FIG. 7

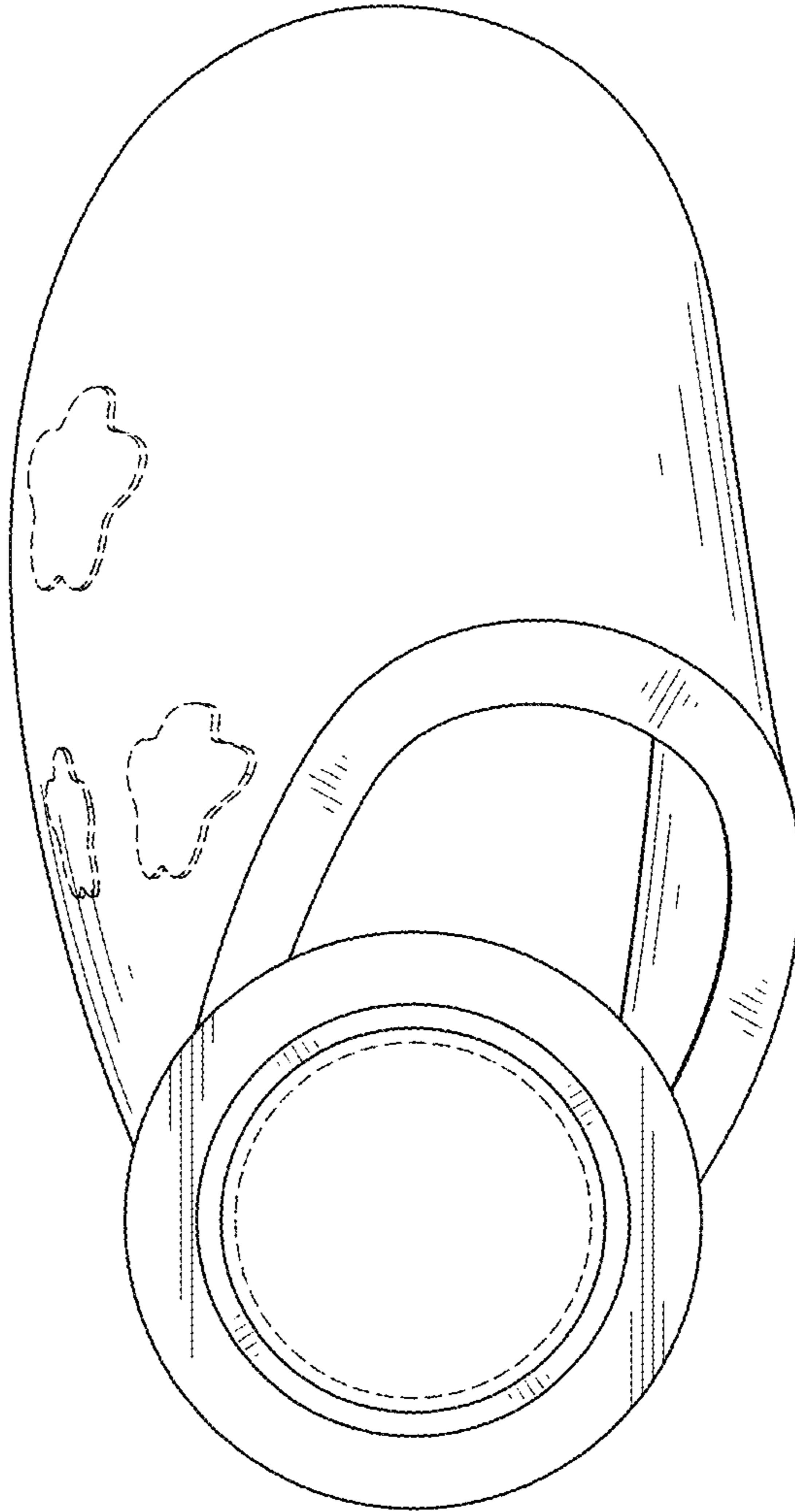


FIG. 8