



US00D831743S

(12) **United States Design Patent**  
**Prince**

(10) **Patent No.:** **US D831,743 S**  
(45) **Date of Patent:** **\*\* Oct. 23, 2018**

(54) **BRUSH HOLDER**  
(71) Applicant: **Bryan Prince**, Boise, ID (US)  
(72) Inventor: **Bryan Prince**, Boise, ID (US)  
(\*\*) Term: **15 Years**  
(21) Appl. No.: **29/629,551**  
(22) Filed: **Dec. 13, 2017**

**Related U.S. Application Data**

(63) Continuation-in-part of application No. 29/616,696, filed on Sep. 7, 2017.

(51) **LOC (11) Cl.** ..... **19-06**

(52) **U.S. Cl.**  
USPC ..... **D19/105**

(58) **Field of Classification Search**

USPC ..... D19/32, 75, 77-85, 135; D3/315, 901,  
D3/206; D6/677.3; D7/590, 641;  
D9/415, 457, 722; D28/73  
CPC .. B43K 23/001; B43K 23/002; B43K 23/004;  
B43K 23/008; B43K 23/012; B43K  
23/016; B43K 23/04; B43M 99/006;  
B43M 99/008

See application file for complete search history.

(56) **References Cited**

**U.S. PATENT DOCUMENTS**

139,718 A \* 6/1873 Kempshall ..... A24B 1/08  
294/5.5  
333,590 A \* 1/1886 Benson ..... B43K 23/001  
24/12  
884,256 A \* 4/1908 Addie ..... A47G 33/105  
131/241  
1,643,661 A \* 9/1927 Kendall ..... A47J 43/287  
211/65  
2,708,523 A \* 5/1955 Rozanski ..... A47K 1/09  
211/124

3,521,332 A \* 7/1970 Kramer ..... F16B 2/22  
248/229.26  
D256,963 S \* 9/1980 Harrington ..... 224/247  
5,016,559 A \* 5/1991 Larson ..... B42D 9/007  
116/234  
D324,541 S \* 3/1992 Dudley ..... D19/105  
D325,929 S \* 5/1992 Larson ..... D19/34  
5,398,820 A \* 3/1995 Kiss ..... A47F 5/0884  
211/13.1  
D357,100 S \* 4/1995 Ostruh ..... D32/54  
5,484,066 A \* 1/1996 Luisi ..... B43K 23/002  
211/69.8  
D372,141 S \* 7/1996 Selby ..... D3/315  
D375,630 S \* 11/1996 Oliver ..... D3/259  
D378,248 S \* 3/1997 Griffin ..... D3/273  
D379,060 S \* 5/1997 Laga ..... D8/373  
D379,427 S \* 5/1997 Laga ..... D8/373

(Continued)

*Primary Examiner* — Elizabeth A. Albert

(74) *Attorney, Agent, or Firm* — Quickpatents, LLC;  
Kevin Prince

(57) **CLAIM**

I claim the ornamental design for a brush holder, as shown and described.

**DESCRIPTION**

FIG. 1 is a top perspective view of a brush holder, showing my new design;

FIG. 2 is a front elevational view thereof;

FIG. 3 is a rear elevational view thereof;

FIG. 4 is a left-side elevational view thereof;

FIG. 5 is a right-side elevational view thereof;

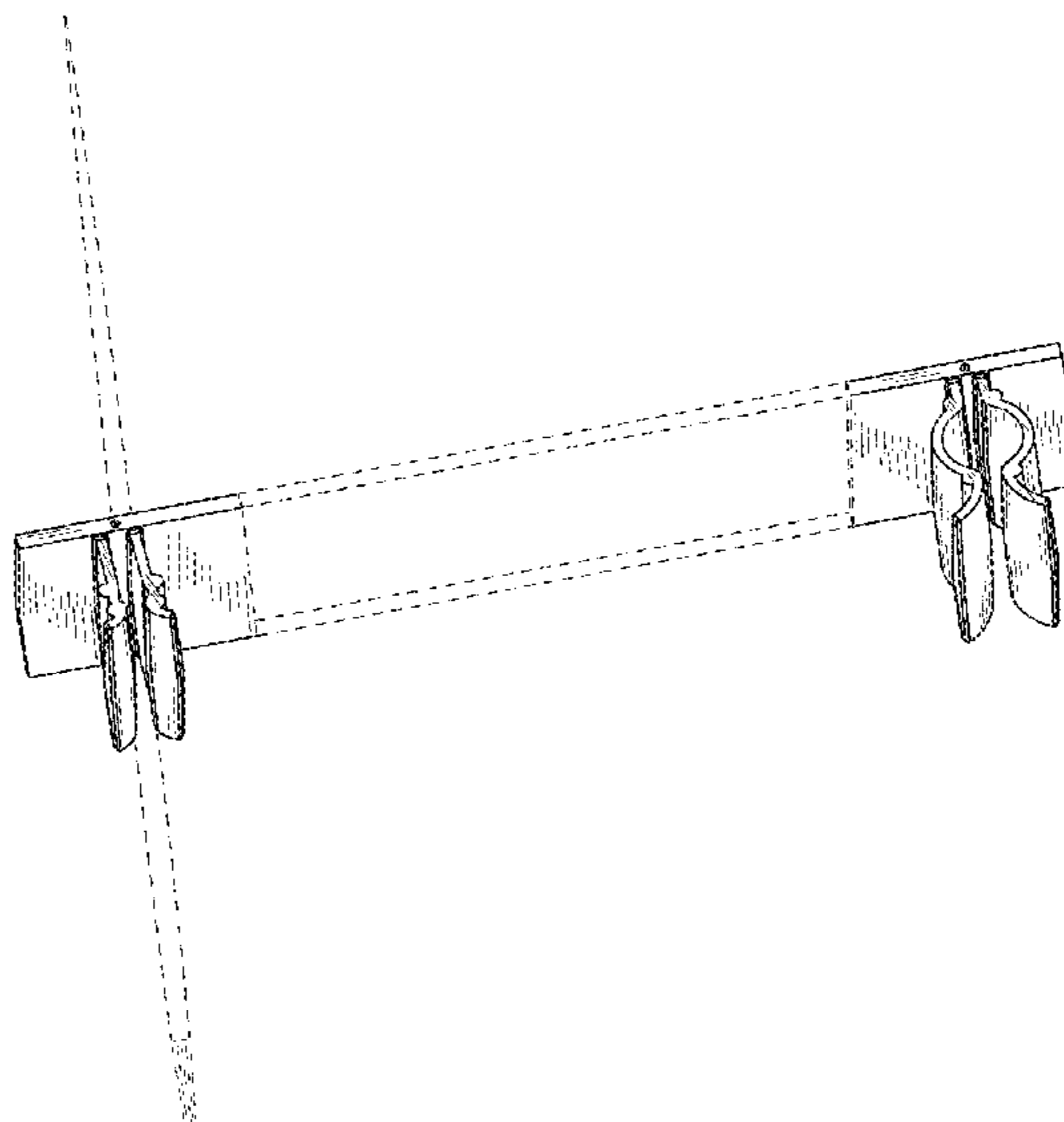
FIG. 6 is a top plan view thereof;

FIG. 7 is a bottom plan view thereof; and,

FIG. 8 is a rear perspective view thereof.

The broken lines showing a paint brush in FIG. 1 depict environmental matter and form no part of the claimed design. The remaining broken lines depict portions of the brush holder that form no part of the claimed design.

**1 Claim, 2 Drawing Sheets**



(56)

**References Cited**

U.S. PATENT DOCUMENTS

D387,899 S \* 12/1997 Okumura ..... D3/215  
D401,971 S \* 12/1998 Chang ..... D19/85  
5,979,102 A \* 11/1999 Sagryn ..... A01K 97/08  
114/364  
D425,304 S \* 5/2000 Yacobi ..... D3/315  
D441,021 S \* 4/2001 Roush ..... D19/135  
6,477,744 B1 \* 11/2002 Miles ..... B43K 23/002  
24/3.1  
D602,694 S \* 10/2009 Alvarez ..... D3/315  
D756,535 S \* 5/2016 Schlipf ..... D25/68  
D756,684 S \* 5/2016 Carr ..... D6/552  
D789,611 S \* 6/2017 Filho ..... D28/73  
D818,358 S \* 5/2018 Wolfer ..... D8/395

\* cited by examiner

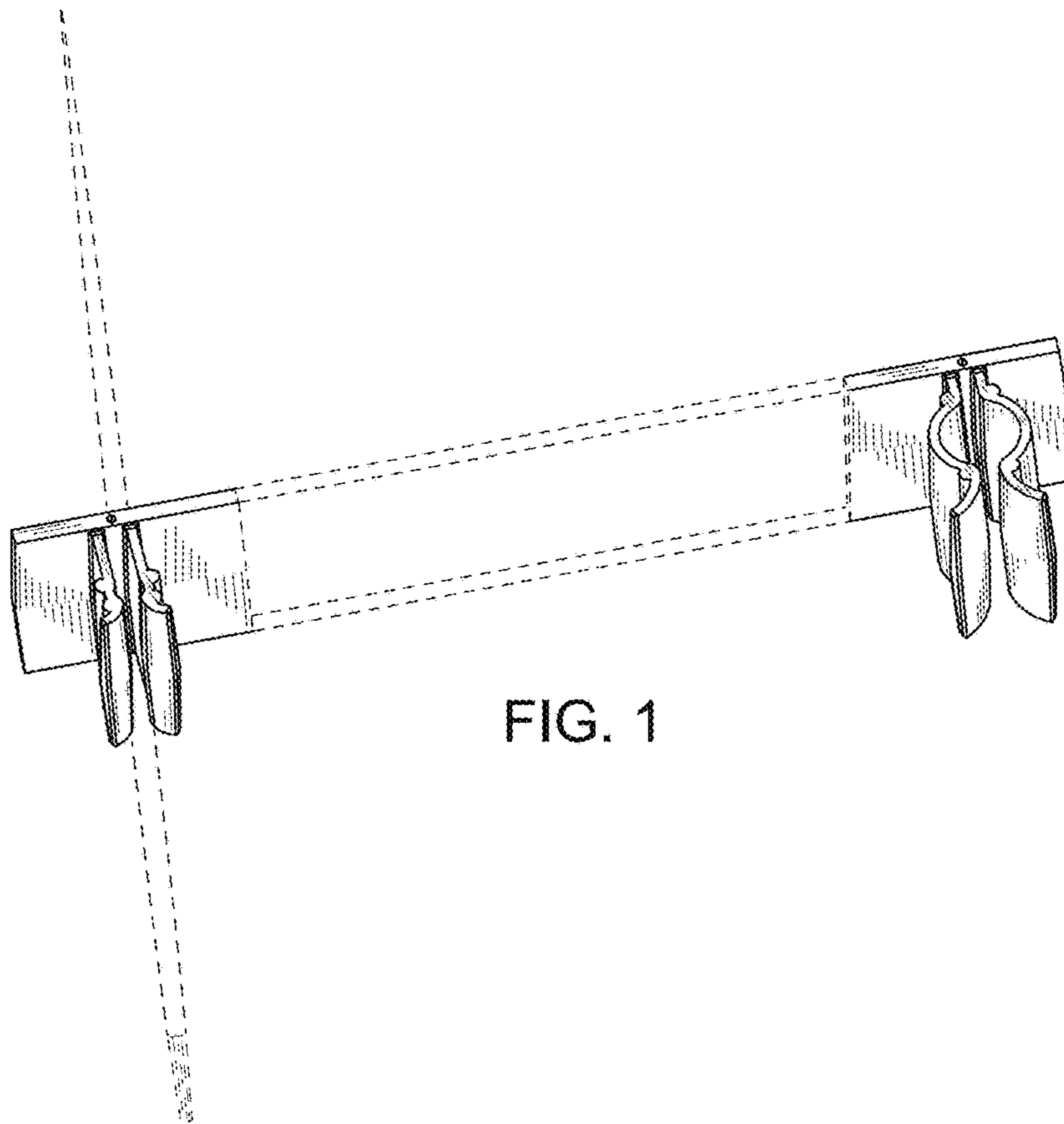


FIG. 1



FIG. 2



FIG. 3

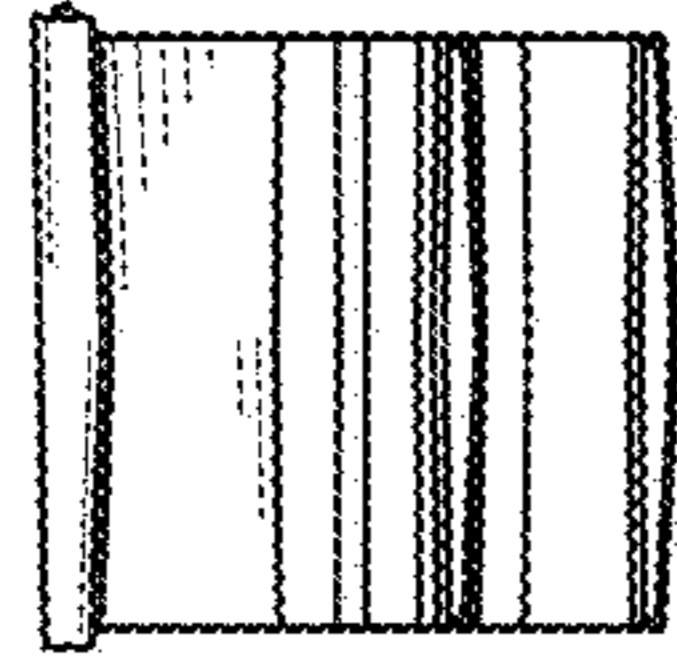


FIG. 4

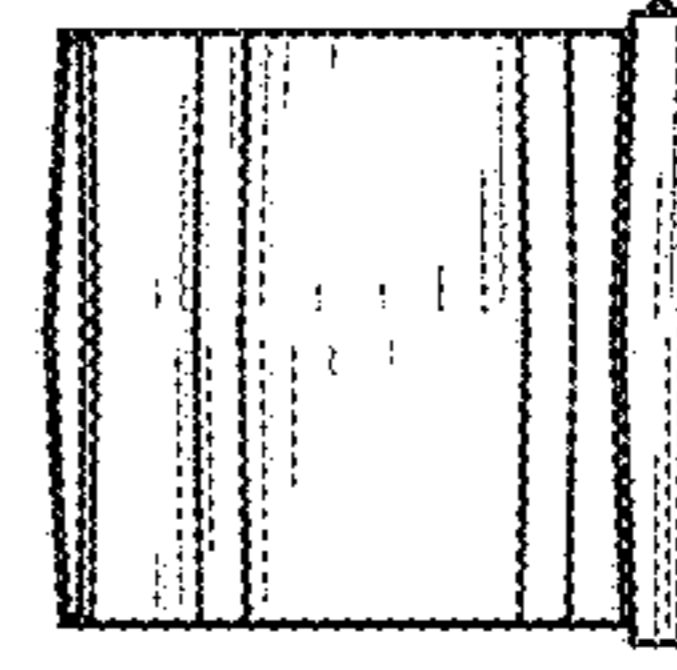


FIG. 5



FIG. 6

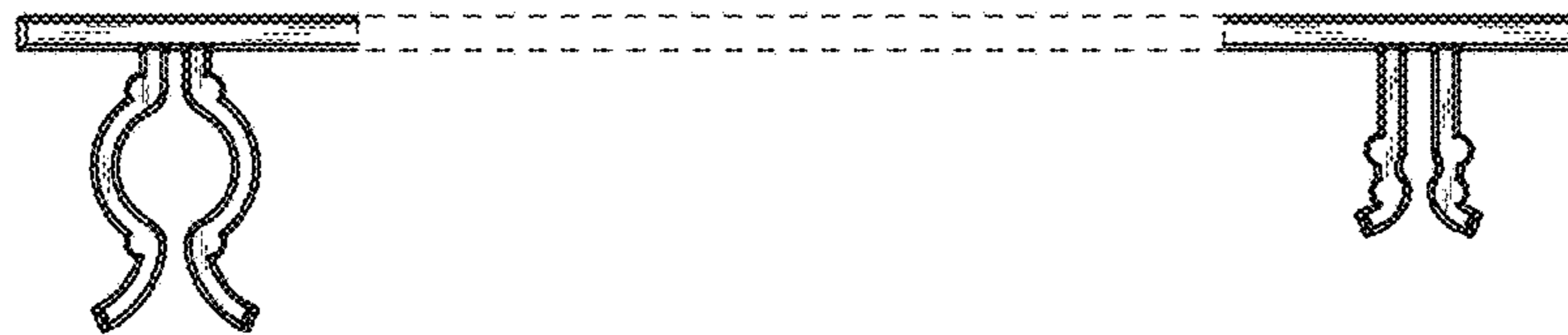


FIG. 7

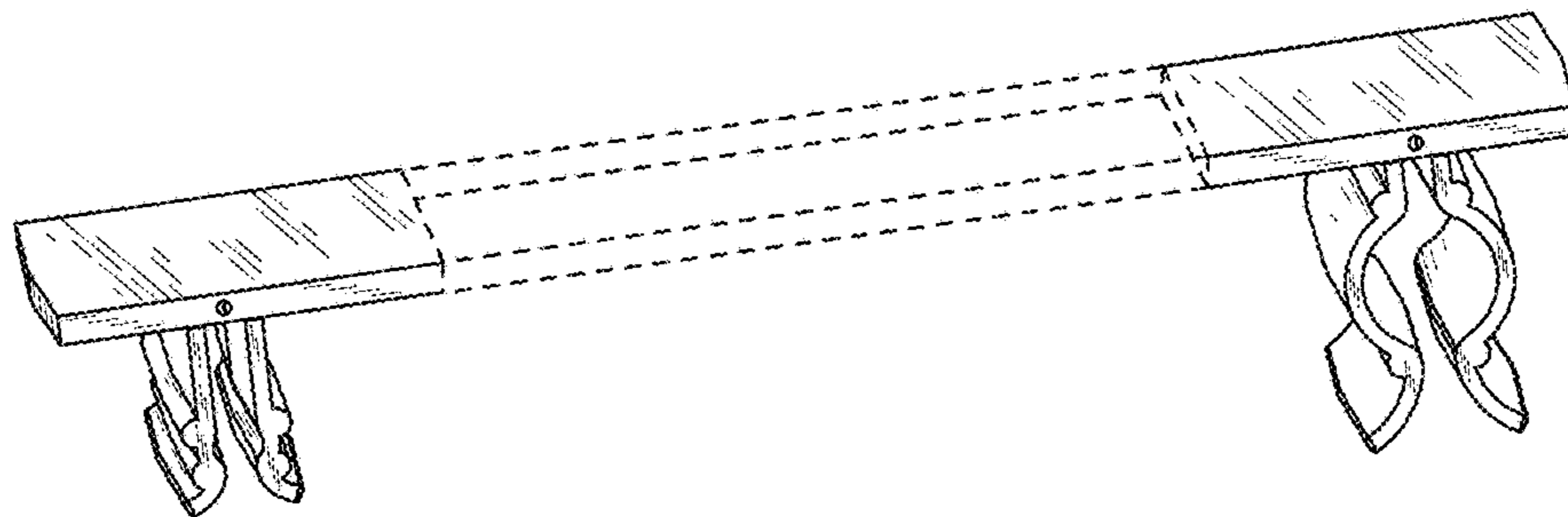


FIG. 8