

US00D831742S

(12) **United States Design Patent**
Werner

(10) **Patent No.:** **US D831,742 S**
(45) **Date of Patent:** **** Oct. 23, 2018**

- (54) **TOOTH FOR CUTTING EDGE**
- (71) Applicant: **Thogus Products Company**, Avon Lake, OH (US)
- (72) Inventor: **Gregory J. Werner**, Brunswick, OH (US)
- (73) Assignee: **THOGUS PRODUCTS COMPANY**, Avon Lake, OH (US)
- (**) Term: **15 Years**
- (21) Appl. No.: **29/563,058**
- (22) Filed: **May 2, 2016**
- (51) **LOC (11) Cl.** **19-02**
- (52) **U.S. Cl.**
USPC **D19/69; D8/20**
- (58) **Field of Classification Search**
USPC D19/66-71, 1; D8/356, 358; D10/71; D20/10, 22, 42; D24/189
CPC B65H 35/0026; B65H 35/0033; B65H 35/0073; B65H 35/004; B65H 35/008; C09J 7/02; C09J 7/04; C09J 7/041; C09J 7/045; C09J 7/048; C09J 2205/106; B05B 15/0456
See application file for complete search history.

- D362,684 S * 9/1995 Samuelson D19/67
- 5,468,332 A * 11/1995 Dretzka B65H 35/0026
156/527
- 5,672,238 A * 9/1997 Samuelson B65D 73/0064
156/579
- 5,759,342 A * 6/1998 Luhman B65H 35/0026
156/577

(Continued)

OTHER PUBLICATIONS

EZ Start® Packaging Tape—Clear With Dispenser, 1.88 in. x15 yd, This reference is prior art and was published as early as May 1, 2014.

(Continued)

Primary Examiner — Elizabeth A. Albert
(74) *Attorney, Agent, or Firm* — Tarolli, Sundheim, Covell & Tummino LLP

(57) **CLAIM**

The ornamental design for a tooth for cutting edge, as shown and described.

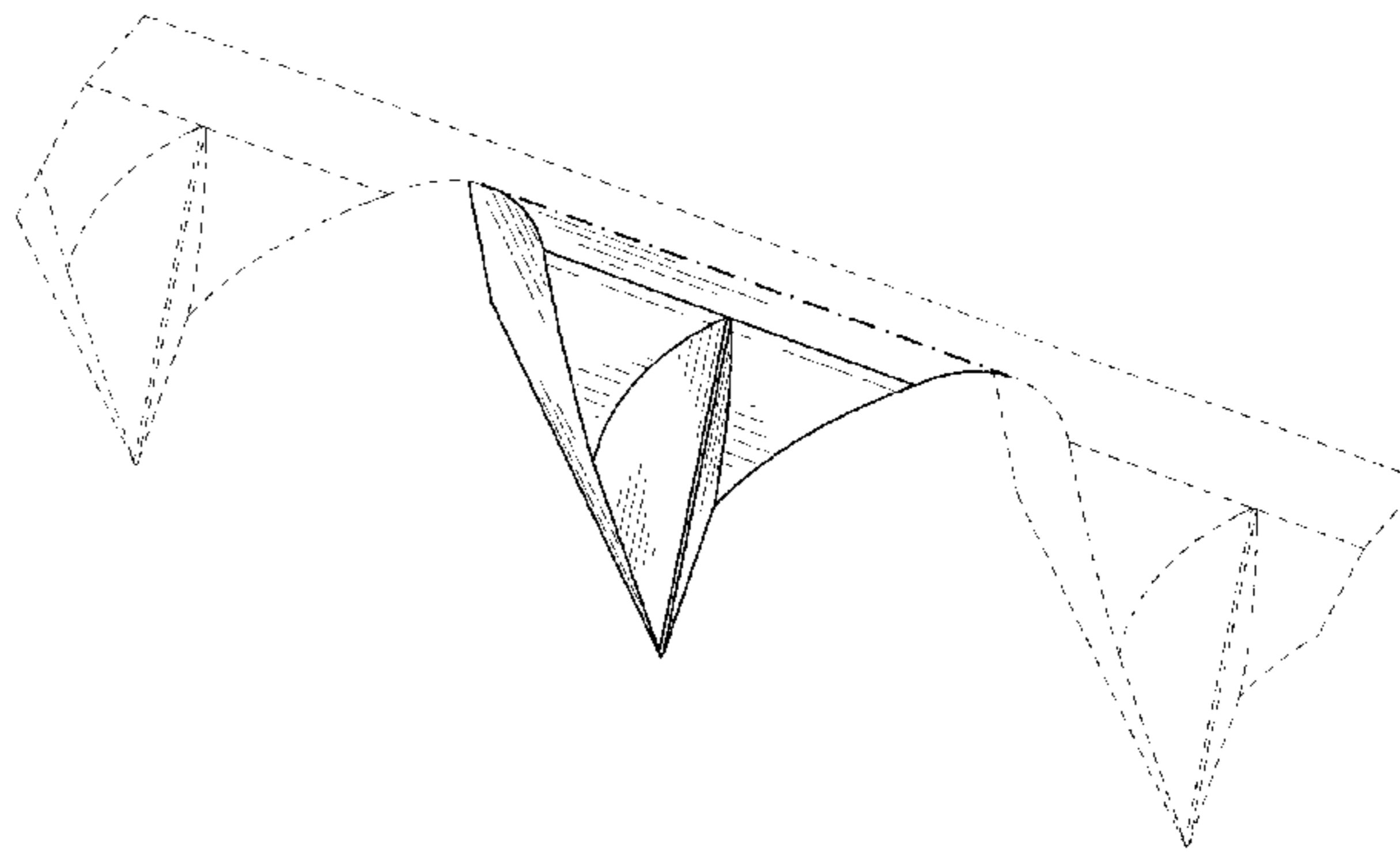
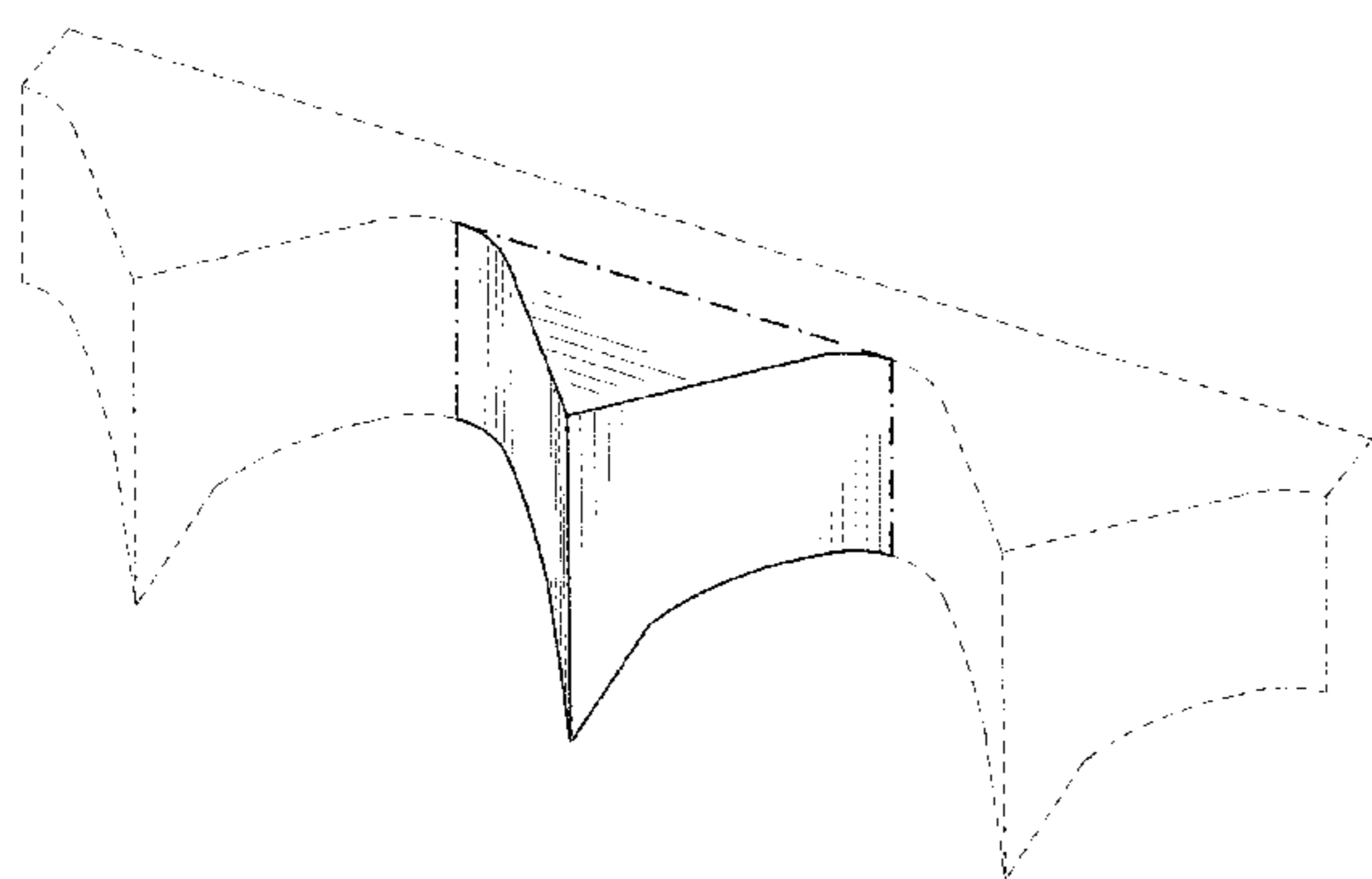
DESCRIPTION

FIG. 1 is a top front perspective view of the tooth for cutting edge showing my new design;
FIG. 2 is a front perspective view thereof;
FIG. 3 is a bottom rear perspective view thereof;
FIG. 4 is a front elevation view thereof;
FIG. 5 is a rear elevation view thereof;
FIG. 6 is a top plan view thereof;
FIG. 7 is a bottom plan view thereof; and,
FIG. 8 is a cross-sectional view from FIG. 4 taken along section lines 8-8.

The evenly spaced broken lines are included to show portions of the tooth for cutting edge that form no part of the claimed design. The long and short broken lines that define the bounds of the claimed design form no part thereof.

1 Claim, 3 Drawing Sheets

- (56) **References Cited**
U.S. PATENT DOCUMENTS
3,653,133 A * 4/1972 Black E02F 9/2833
172/713
D239,620 S * 4/1976 Fritzinger D19/69
D259,643 S * 6/1981 Pearson D19/69
4,961,525 A * 10/1990 Corbo B65H 35/0026
225/56
5,048,738 A * 9/1991 Cardamone B65H 35/008
225/56
5,071,051 A * 12/1991 Corbo B65H 35/0026
225/56



(56)

References Cited

U.S. PATENT DOCUMENTS

5,792,310 A * 8/1998 Thompson B65H 35/0026
156/523
5,820,005 A * 10/1998 Perkitny B65H 35/0026
225/65
5,921,450 A * 7/1999 Robinson B65H 35/0026
156/579
D423,054 S * 4/2000 Harris D19/67
D442,227 S * 5/2001 Carlson B65H 35/0026
D19/67
D448,413 S * 9/2001 Carlson D19/67
6,669,070 B2 * 12/2003 Huang B65H 35/0026
225/56
6,672,532 B1 * 1/2004 Huang B65H 35/0026
225/65
6,719,180 B2 * 4/2004 Shah B65H 35/0026
225/56
6,725,758 B2 * 4/2004 MacLennan B23D 61/04
83/839
D490,469 S * 5/2004 Chandaria D19/67
D491,985 S * 6/2004 Mueller D19/67
D493,488 S * 7/2004 Chandaria D19/67
6,789,594 B1 * 9/2004 Yu Chen B65H 35/0026
156/523
6,848,490 B2 * 2/2005 Ho B65H 35/0033
156/523
6,874,554 B2 * 4/2005 Chandaria B65H 35/0033
156/527
D507,020 S * 7/2005 Mueller D19/67
6,913,060 B2 * 7/2005 Chandaria B65H 35/0026
156/523
6,923,358 B2 * 8/2005 Chandaria B65H 35/0026
156/527
7,093,640 B2 * 8/2006 Chandaria B65H 35/0033
156/527
D529,093 S * 9/2006 Gullicks D19/69
D533,594 S * 12/2006 Gullicks D19/69
D533,905 S * 12/2006 Gullicks D19/69
7,152,650 B2 * 12/2006 Van Tyle B65H 35/0033
156/527
D534,589 S * 1/2007 Gullicks D19/69
7,191,815 B2 * 3/2007 Van Tyle B65H 35/0033
156/527
D553,685 S * 10/2007 Thorsteinsson D19/69

7,353,854 B2 * 4/2008 Yu Chen B65H 35/0033
156/527
D568,400 S * 5/2008 Packard D19/69
7,370,782 B2 * 5/2008 Thompson B65H 35/0026
156/577
D573,645 S * 7/2008 Sommers D19/69
D588,646 S * 3/2009 Vulpitta D19/69
D591,354 S * 4/2009 Vulpitta D19/69
7,712,508 B2 * 5/2010 Huang B65H 35/0026
156/527
7,828,026 B2 * 11/2010 MacLennan B23C 5/207
144/241
8,191,597 B2 * 6/2012 Vulpitta B65H 35/0026
156/574
D664,201 S * 7/2012 Packard D19/69
D665,027 S * 8/2012 Packard D19/69
D681,734 S * 5/2013 Hagglund D19/69
D687,102 S * 7/2013 Chandaria D19/69
8,474,504 B2 * 7/2013 Vulpitta B65H 35/0033
156/486
8,479,794 B2 * 7/2013 Vulpitta B65H 35/0026
156/527
8,813,806 B2 * 8/2014 Vulpitta B65H 35/0013
156/527
9,199,819 B2 12/2015 Chandaria et al.
9,248,518 B2 * 2/2016 Elliston B23D 61/121
D753,762 S * 4/2016 Chandaria D19/69
9,809,411 B2 * 11/2017 Tiedemann B29C 33/005
2002/0079346 A1 * 6/2002 Yu B65H 35/0026
225/57
2002/0124969 A1 * 9/2002 Hsu B65H 35/0033
156/577
2003/0085250 A1 * 5/2003 Shah B65H 35/0026
225/65
2004/0154750 A1 * 8/2004 Chandaria B65H 35/0033
156/510
2005/0284581 A1 * 12/2005 Yu Chen B65H 35/0033
156/523

OTHER PUBLICATIONS

<http://duckbrand.com/products/moving-storage/packaging-tapes/ez-start-packaging-tape/clear-188-in-x-15-ydnotchless> _ Tape Dispenser, This reference is prior art and was published as early as Dec. 31, 2011.

* cited by examiner

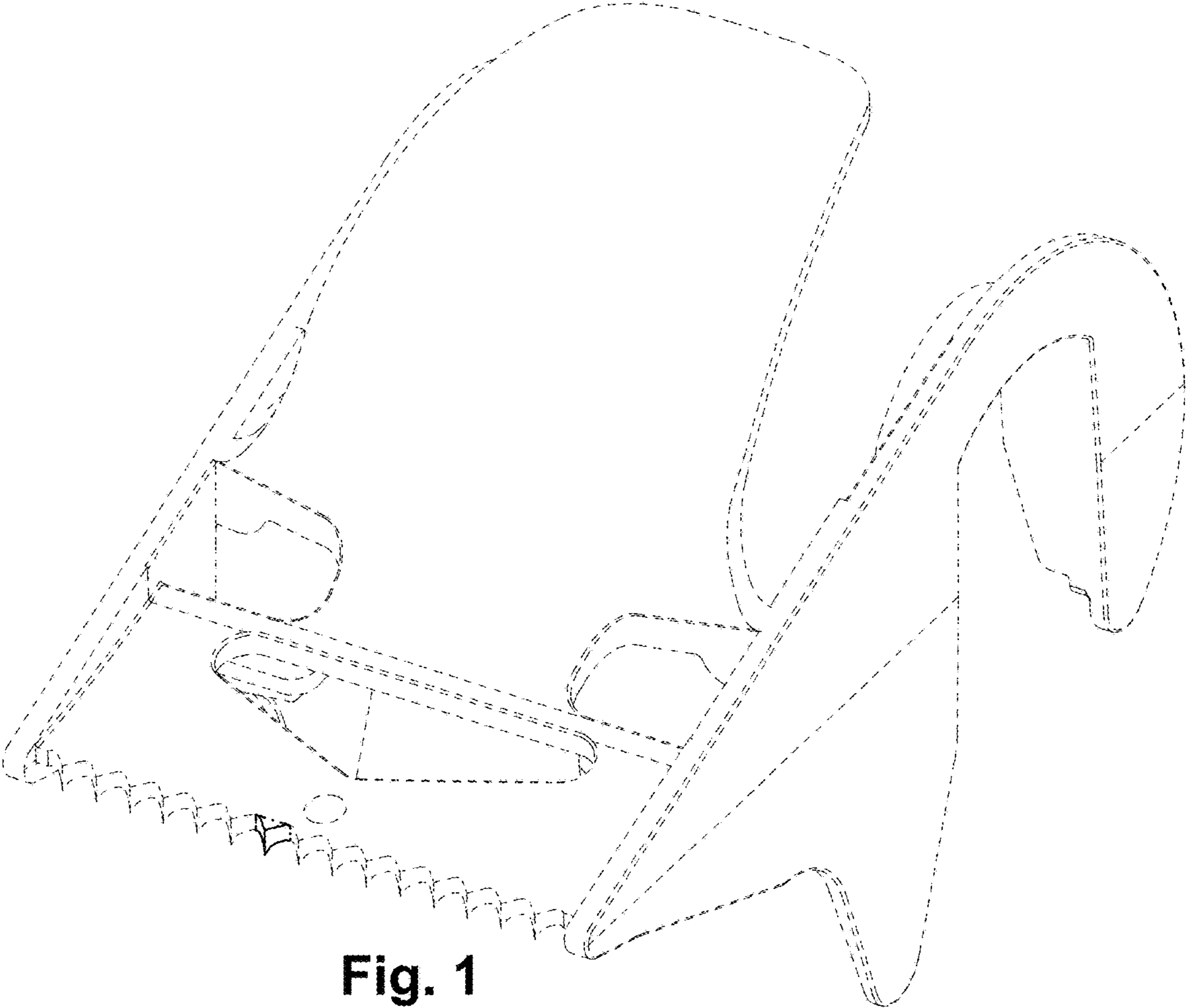


Fig. 1

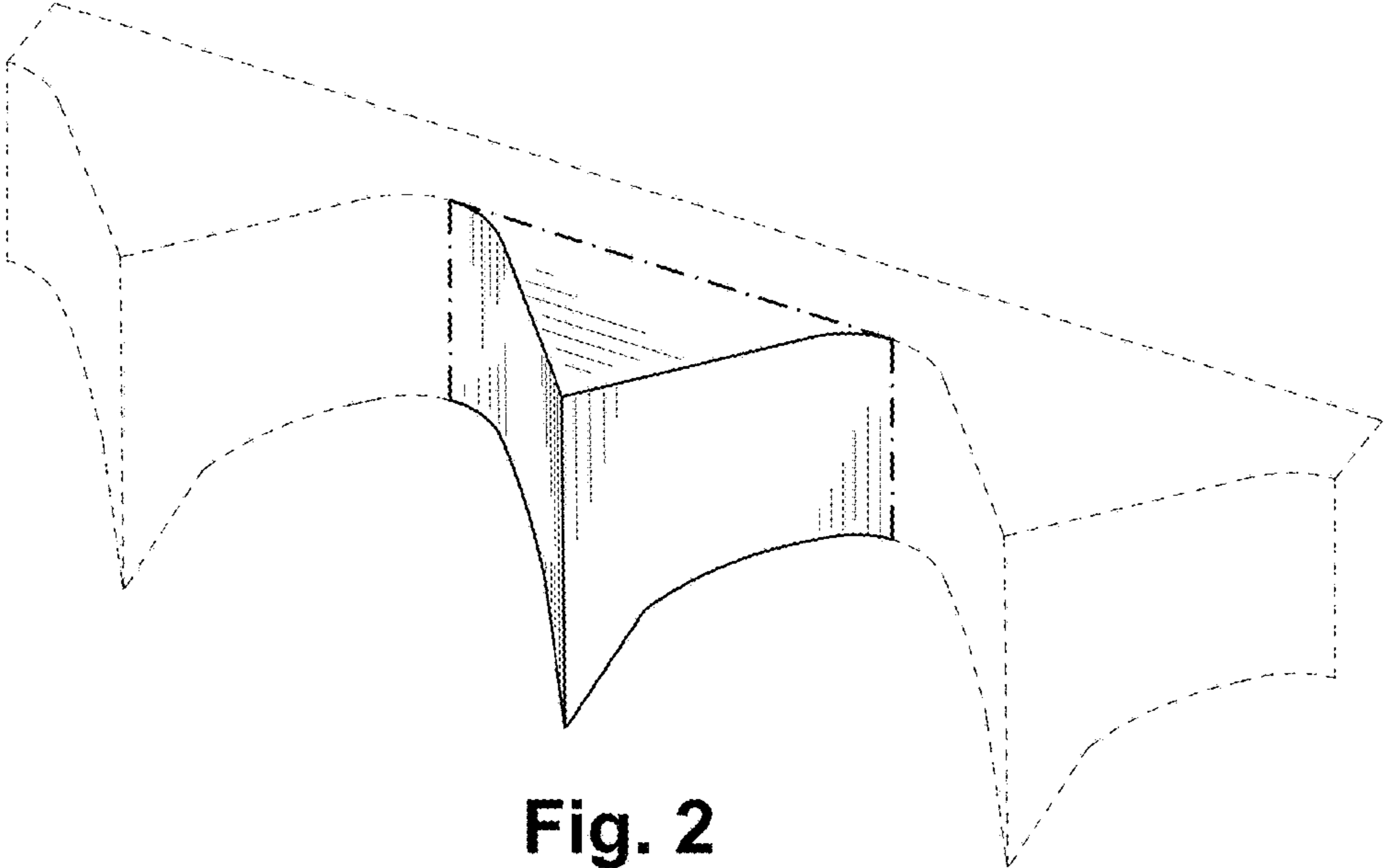


Fig. 2

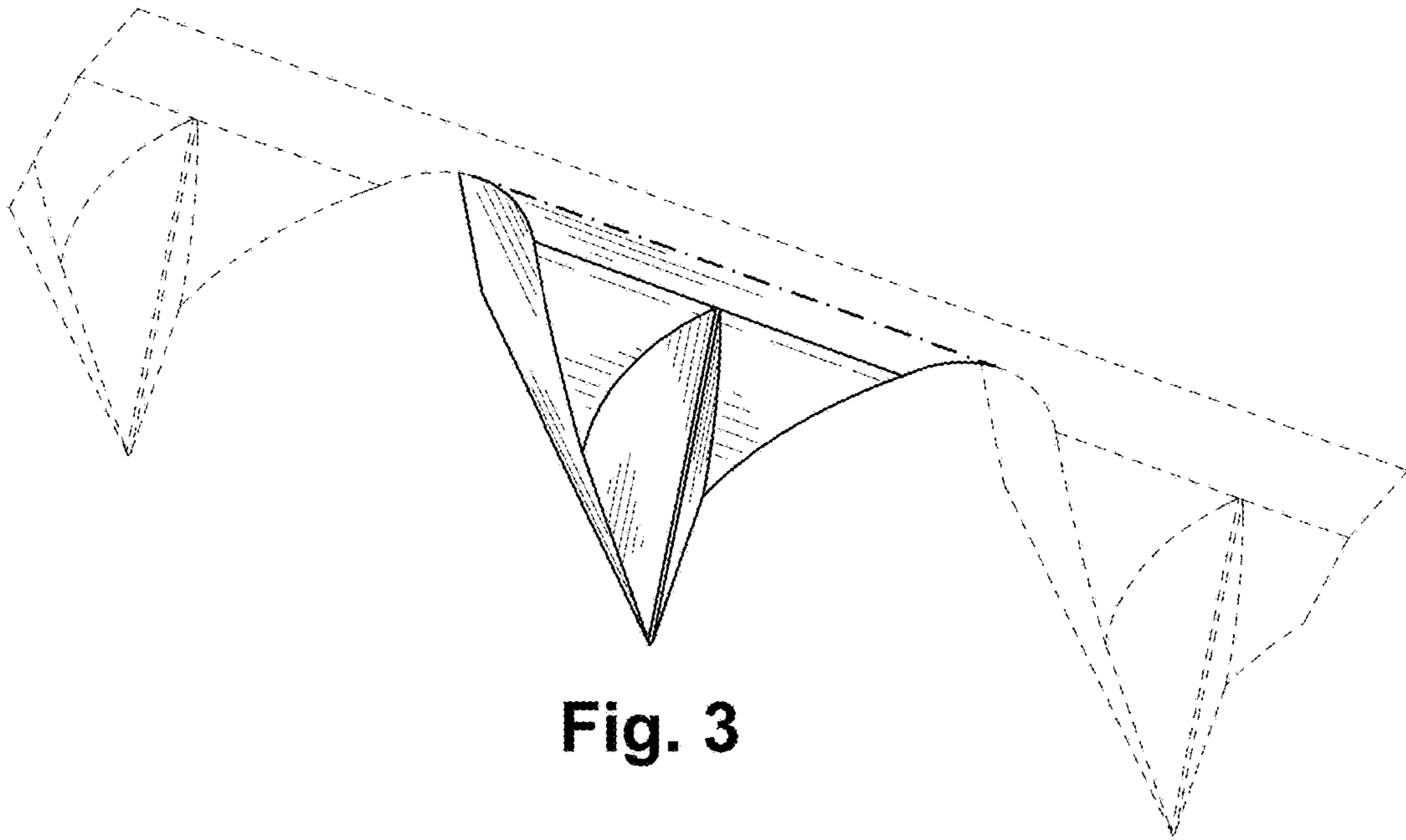


Fig. 3

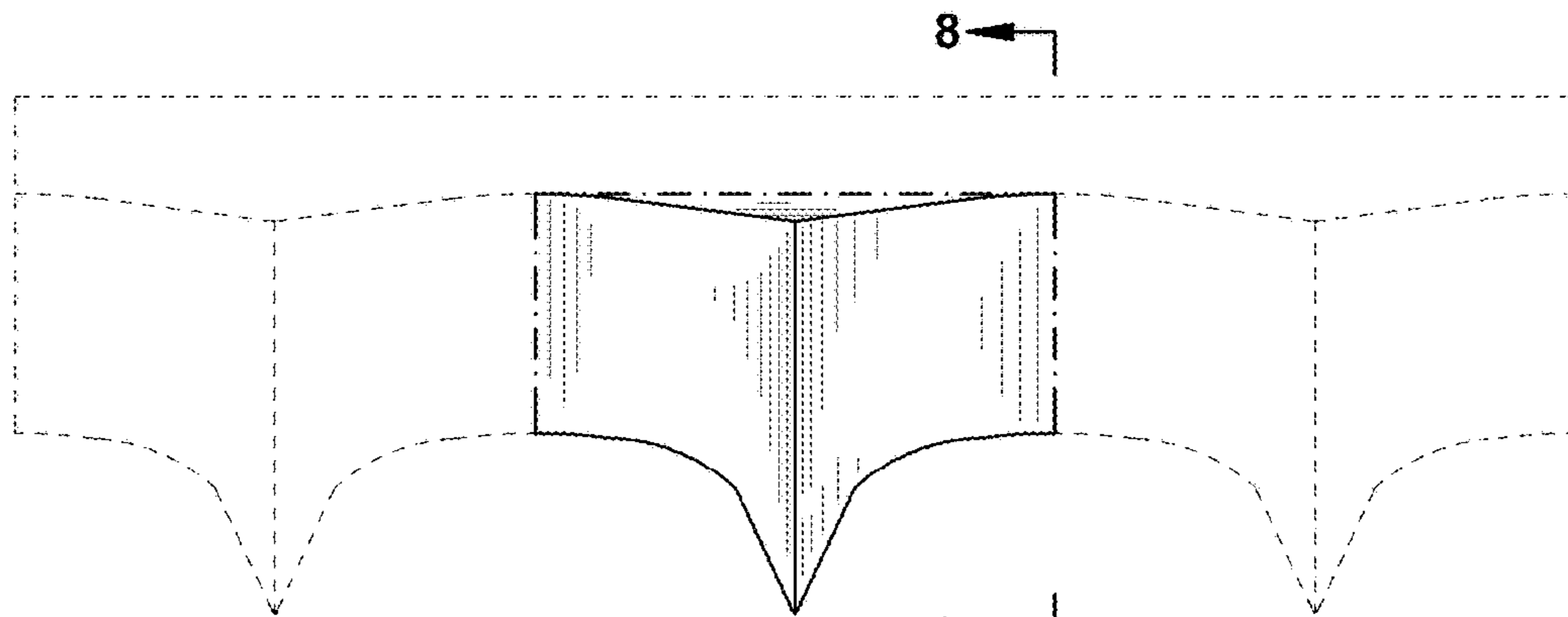


Fig. 4

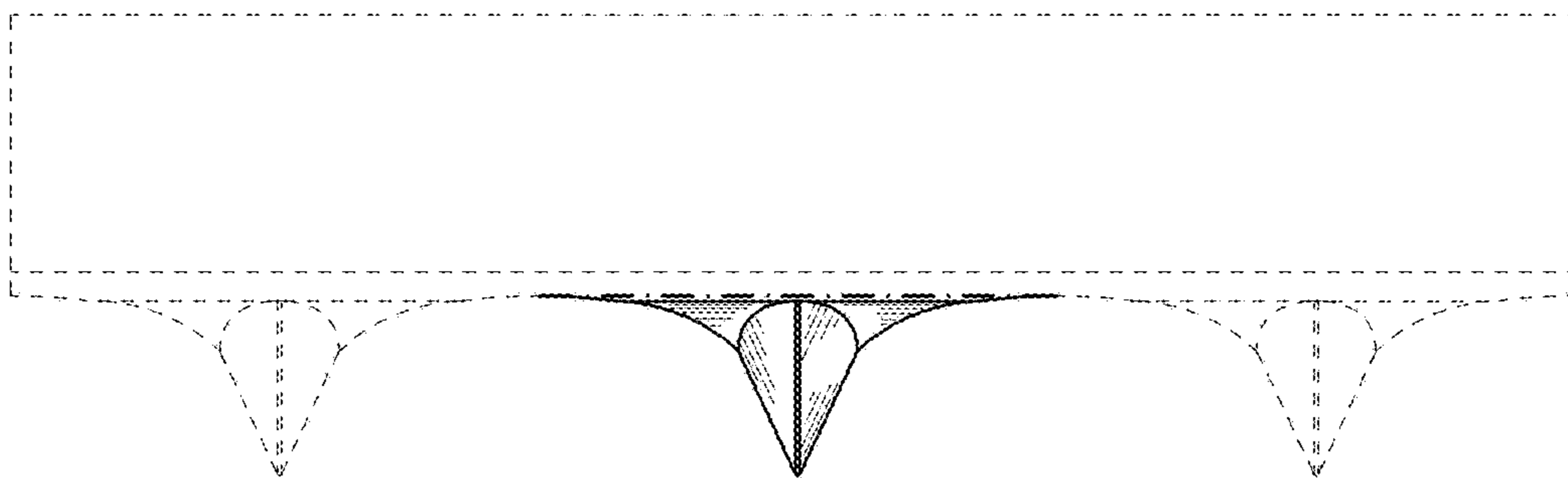


Fig. 5

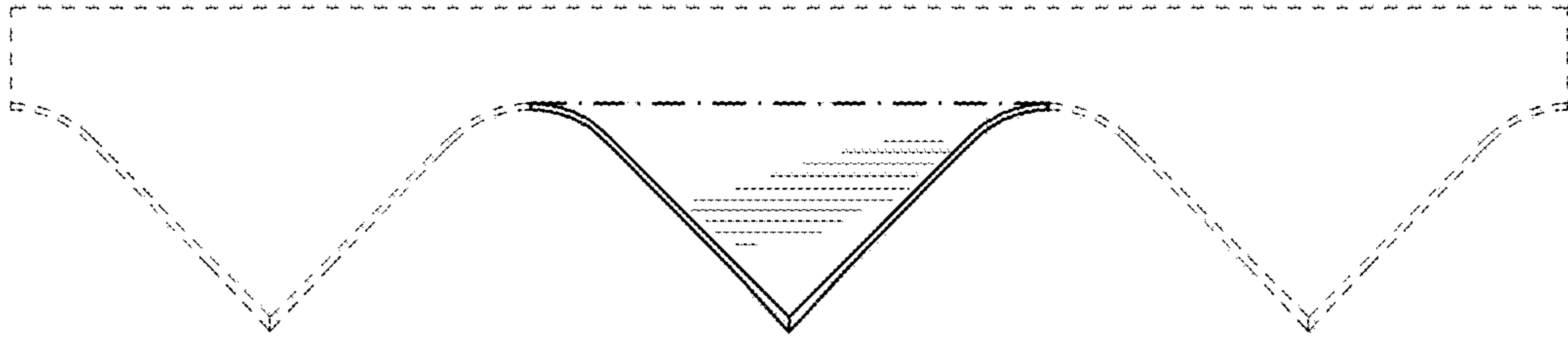


Fig. 6

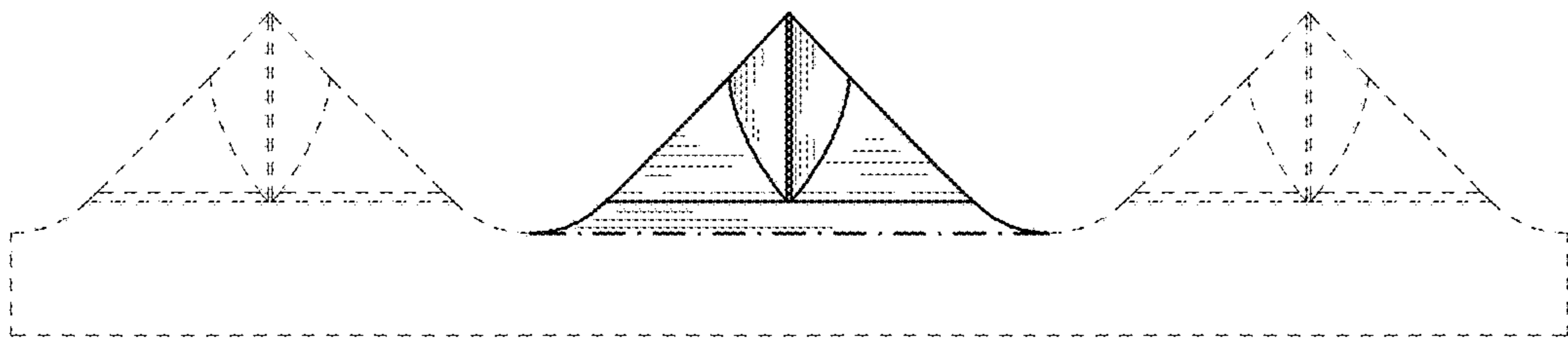


Fig. 7

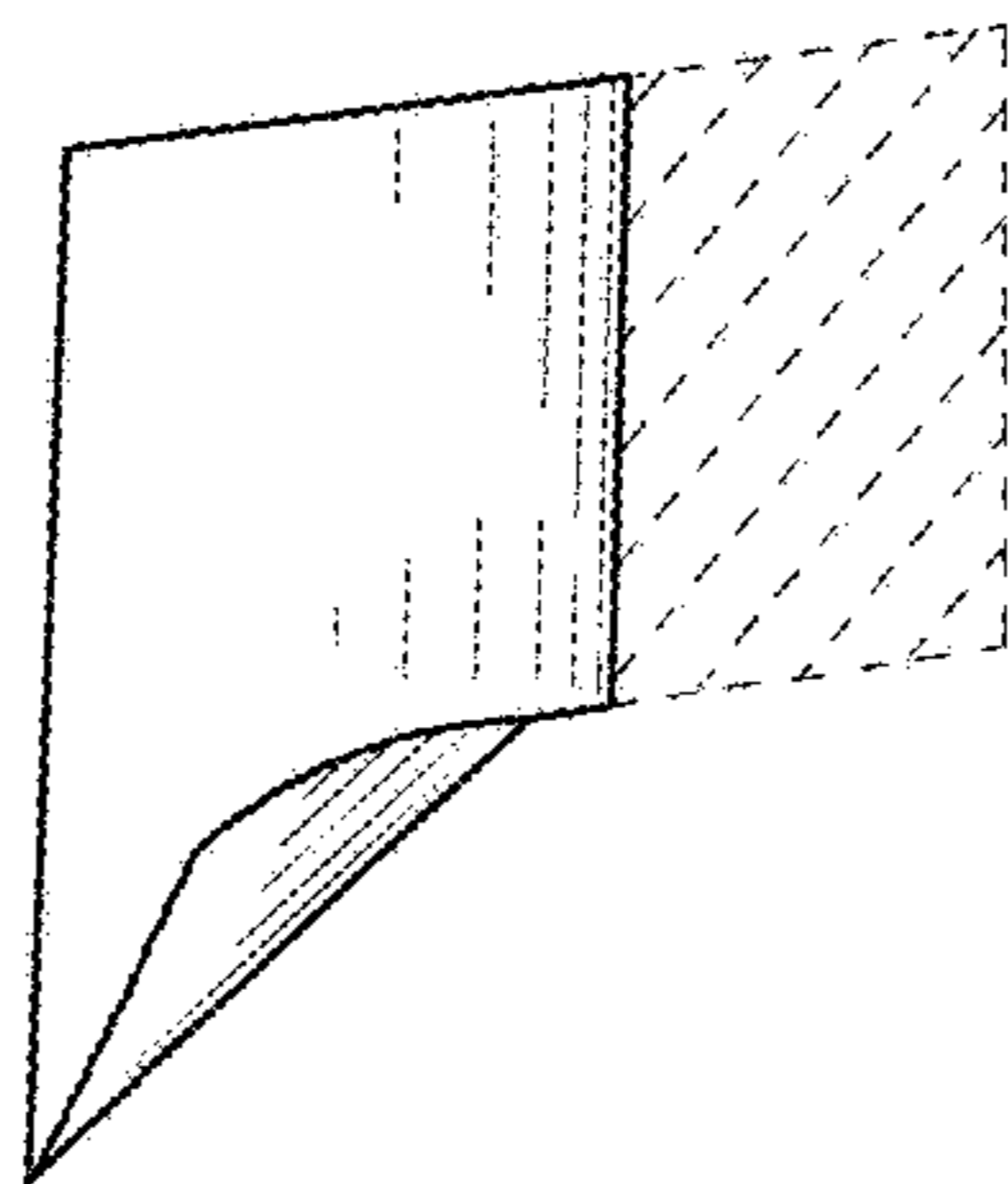


Fig. 8