



US00D831739S

(12) **United States Design Patent**
Iinuma et al.

(10) **Patent No.:** **US D831,739 S**
(45) **Date of Patent:** **** Oct. 23, 2018**

- (54) **INK CARTRIDGE FOR PRINTER**
- (71) Applicant: **Canon Kabushiki Kaisha**, Ohta-ku, Tokyo (JP)
- (72) Inventors: **Keisuke Iinuma**, Yokohama (JP);
Tatsuo Nanjo, Kawasaki (JP);
Keiichiro Tsukuda, Yokohama (JP);
Yasuo Kotaki, Yokohama (JP)
- (73) Assignee: **Canon Kabushiki Kaisha**, Tokyo (JP)
- (**) Term: **15 Years**
- (21) Appl. No.: **29/599,876**
- (22) Filed: **Apr. 7, 2017**

Related U.S. Application Data

- (62) Division of application No. 29/562,583, filed on Apr. 27, 2016, now Pat. No. Des. 794,708.
- (51) **LOC (11) Cl.** **18-02**
- (52) **U.S. Cl.**
USPC **D18/56**
- (58) **Field of Classification Search**
USPC D18/12, 18, 40, 43, 44, 56, 99
CPC . B41J 15/044; B41J 32/00; B41J 17/32; B41J 33/52; B41J 33/56; B41J 35/36; G11B 23/08757
See application file for complete search history.

(56) **References Cited**

U.S. PATENT DOCUMENTS

5,619,237	A	4/1997	Inoue et al.	
D501,504	S	* 2/2005	Yamada	347/86
D509,531	S	* 9/2005	Geserich	D18/12
D530,365	S	* 10/2006	Wakayama	D18/56
D538,335	S	* 3/2007	Chang	D18/56
D549,280	S	* 8/2007	Morino	347/86
D570,905	S	* 6/2008	Yuen	347/86

D597,595	S	* 8/2009	Nip	D18/56
D602,076	S	* 10/2009	Saikawa	D18/56
D603,895	S	* 11/2009	Hattori	D18/56
D627,818	S	* 11/2010	Ishizawa	347/86
D648,779	S	* 11/2011	Saito	D18/43
D677,721	S	* 3/2013	Kawate	D18/56
D681,728	S	* 5/2013	Takagi	347/86
D682,929	S	* 5/2013	Aoki	D18/56
D692,052	S	* 10/2013	Ishizawa	D18/56
D741,403	S	* 10/2015	O'Reilly	D18/56
D759,154	S	* 6/2016	Williamson	D18/43
D761,353	S	* 7/2016	Oya	D18/56
D762,260	S	* 7/2016	Oya	D18/56
D762,261	S	* 7/2016	Takagiwa	D18/56
D767,672	S	* 9/2016	Nanjo	D18/56
D767,673	S	* 9/2016	Nanjo	D18/56
D767,674	S	* 9/2016	Nanjo	D18/56

(Continued)

Primary Examiner — Susan Bennett Hattan

Assistant Examiner — Suzanne E Tisdell

(74) *Attorney, Agent, or Firm* — Fitzpatrick, Cella, Harper & Scinto

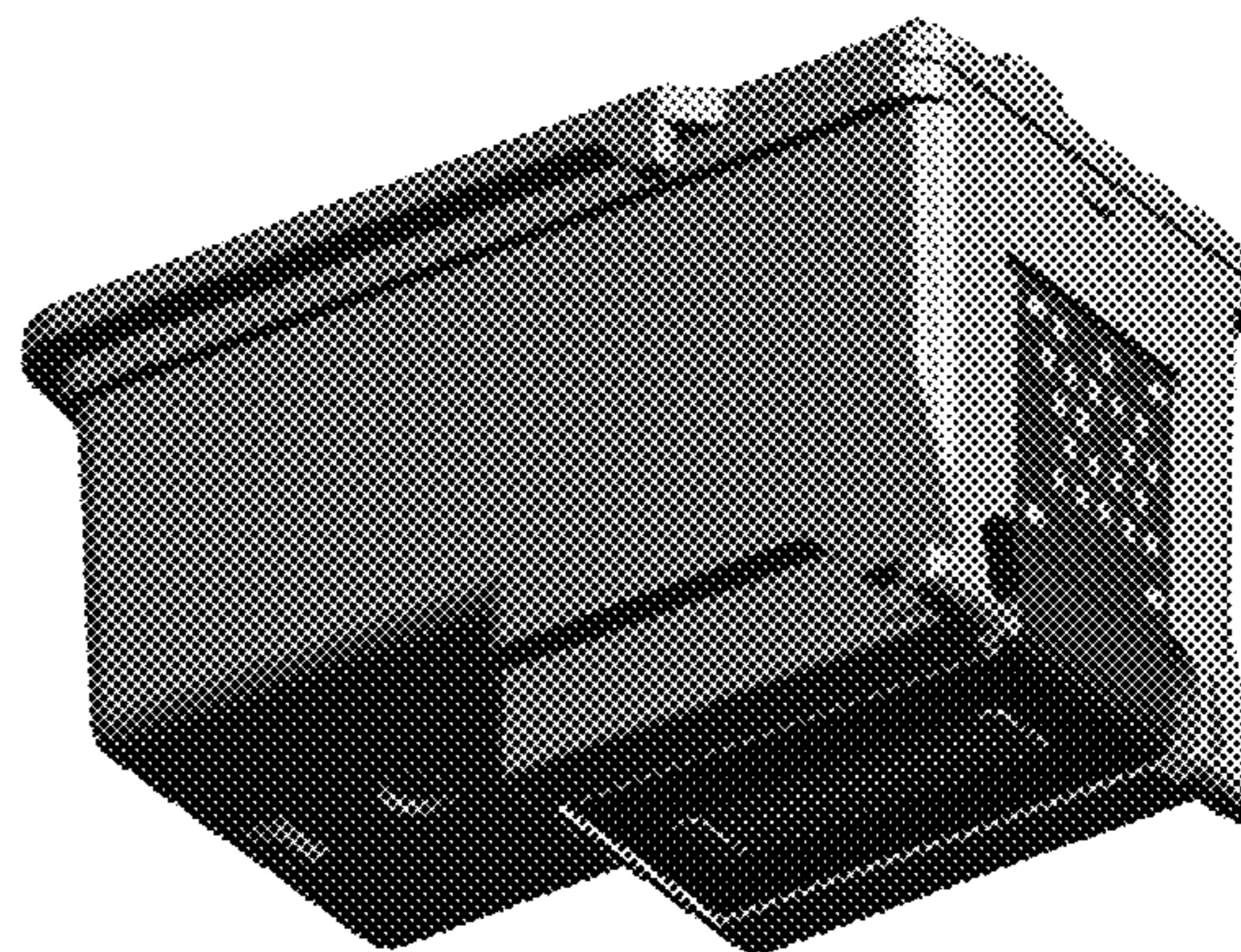
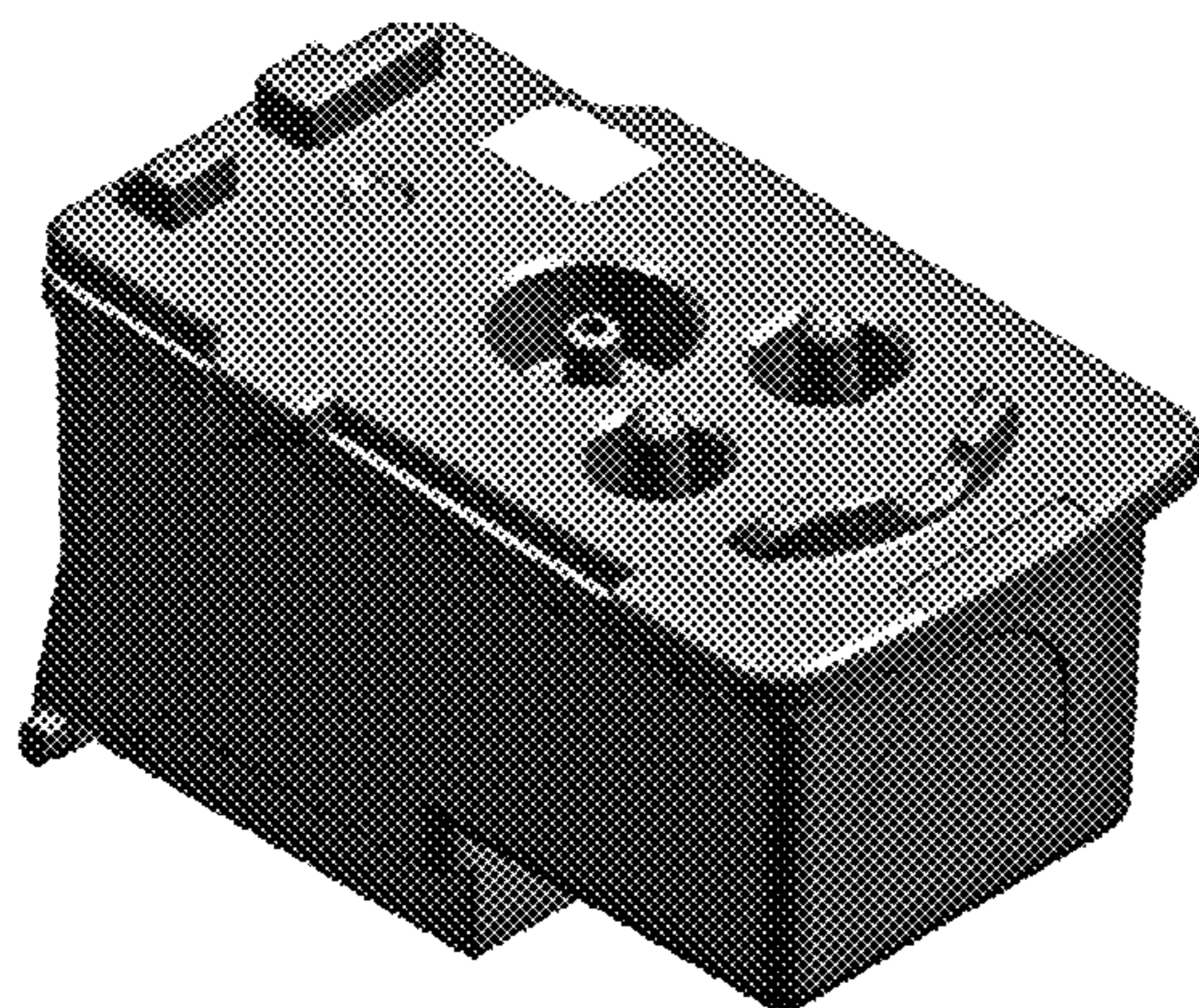
(57) **CLAIM**

The ornamental design for an ink cartridge for printer, as shown and described.

DESCRIPTION

FIG. 1 is a front view of an ink cartridge for printer showing our new design;
 FIG. 2 is a rear view thereof;
 FIG. 3 is a top plan view thereof;
 FIG. 4 is a bottom plan view thereof;
 FIG. 5 is a left side view thereof;
 FIG. 6 is a right side view thereof;
 FIG. 7 is a top perspective view thereof; and,
 FIG. 8 is a bottom perspective view thereof.
 The contrast in shading present in the drawings depicts a contrast in shading in the design.

1 Claim, 4 Drawing Sheets



(56)

References Cited

U.S. PATENT DOCUMENTS

2007/0212151 A1* 9/2007 Innocenti B41J 3/4075
400/244
2008/0151425 A1* 6/2008 Vanderheyden
G11B 23/08728
360/132
2008/0213023 A1* 9/2008 Koizumi B41J 17/32
400/208
2015/0375514 A1 12/2015 Koshikawa et al.

* cited by examiner

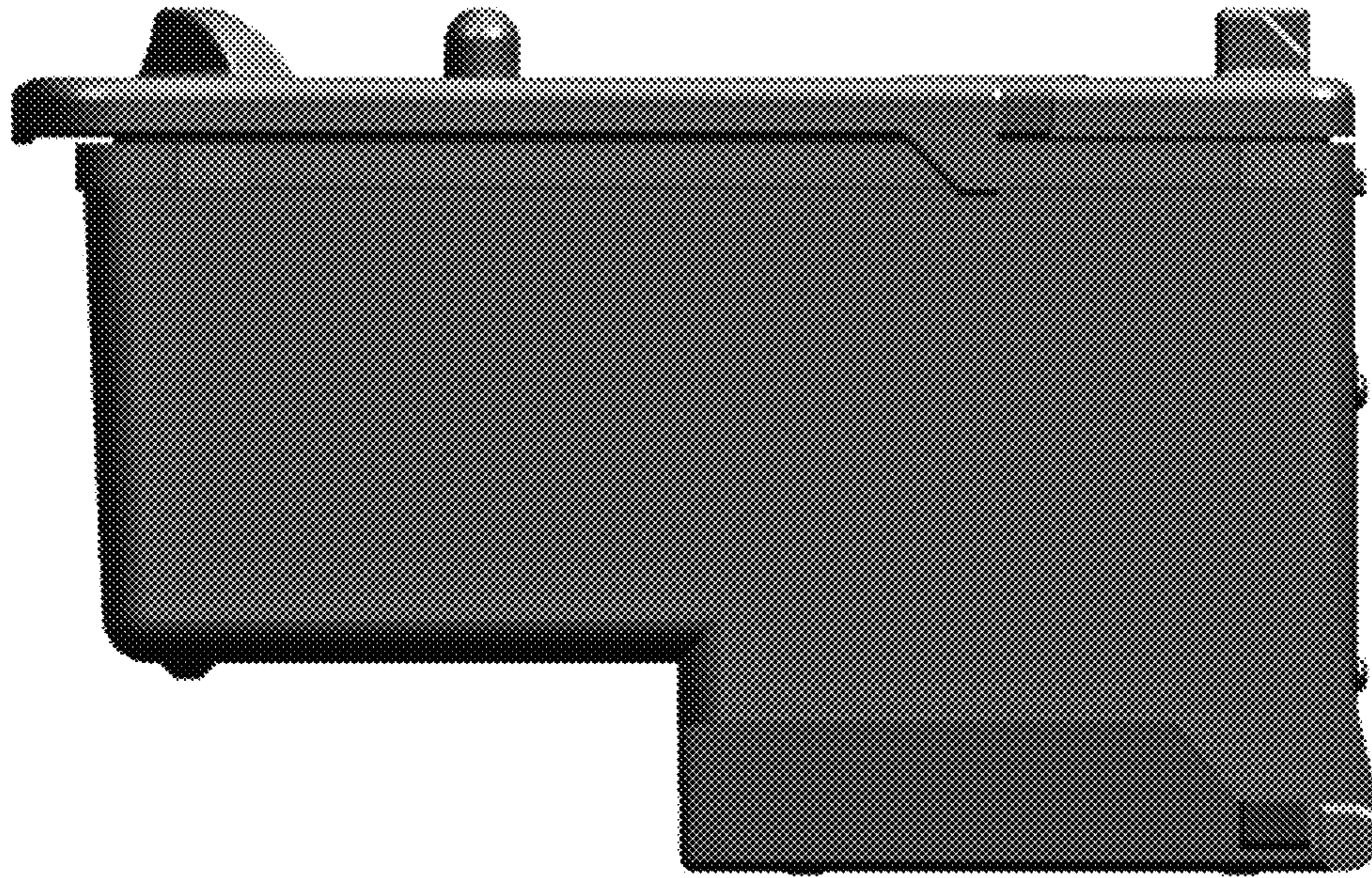


FIG. 1

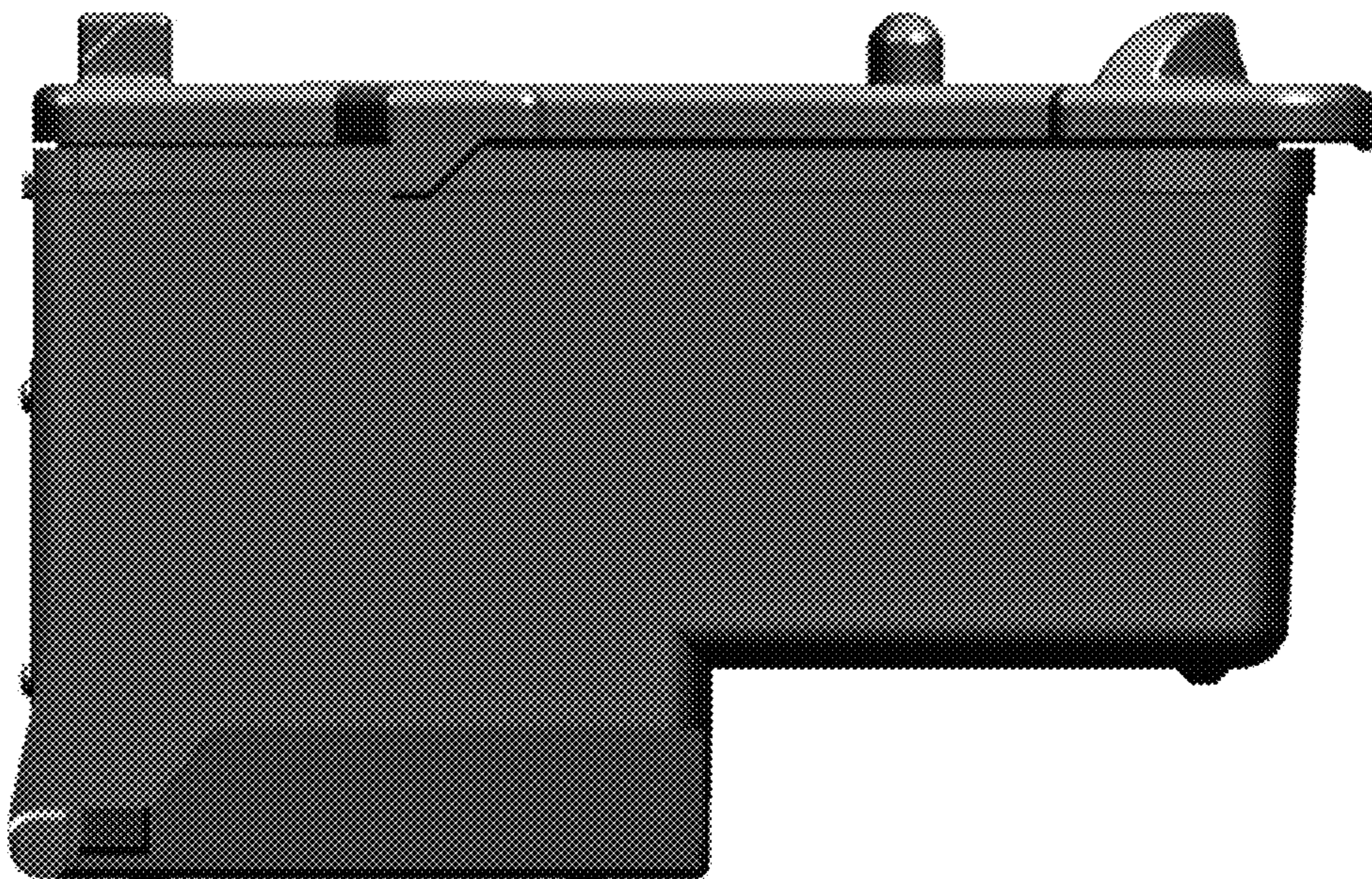


FIG. 2

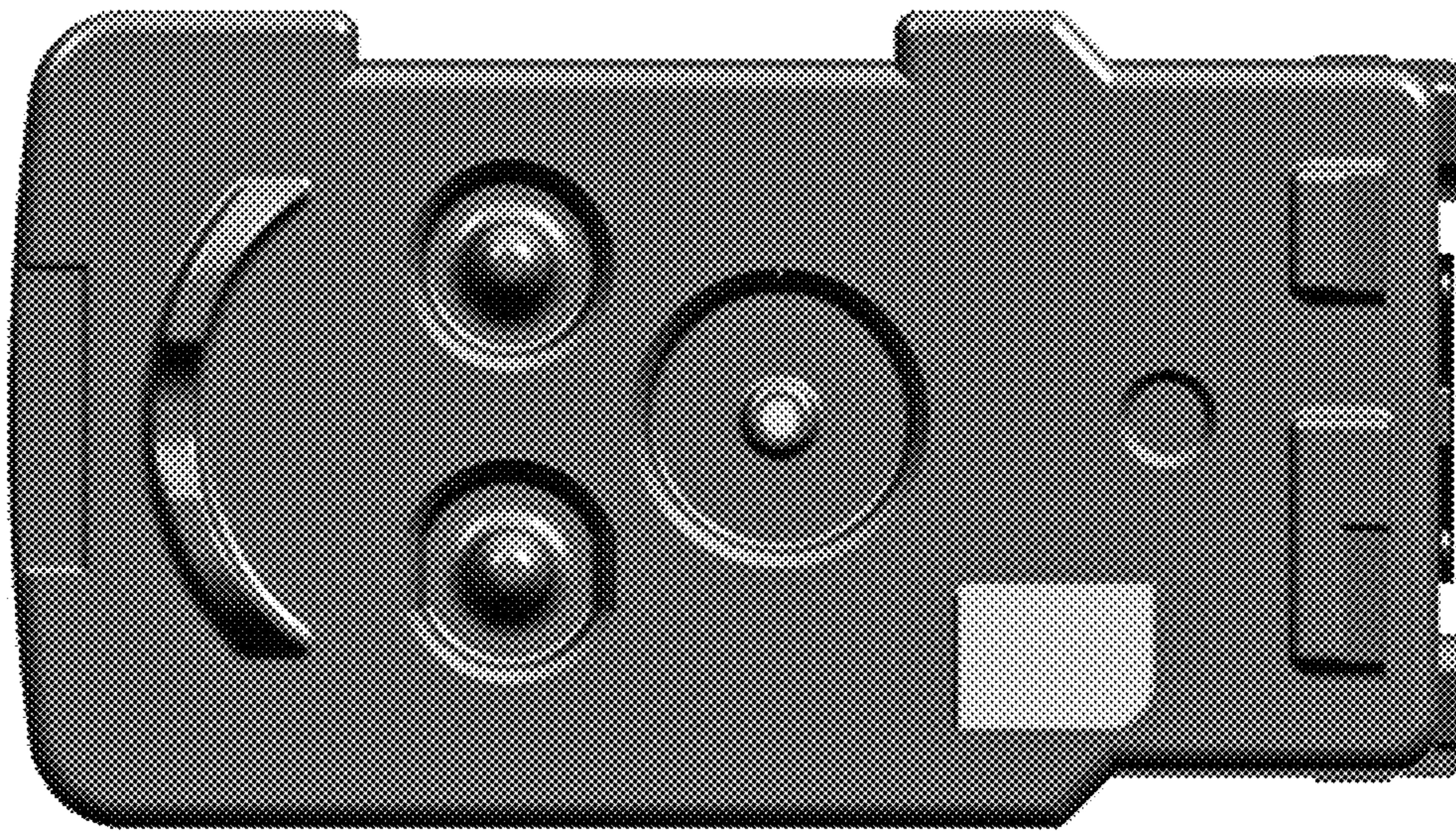


FIG. 3

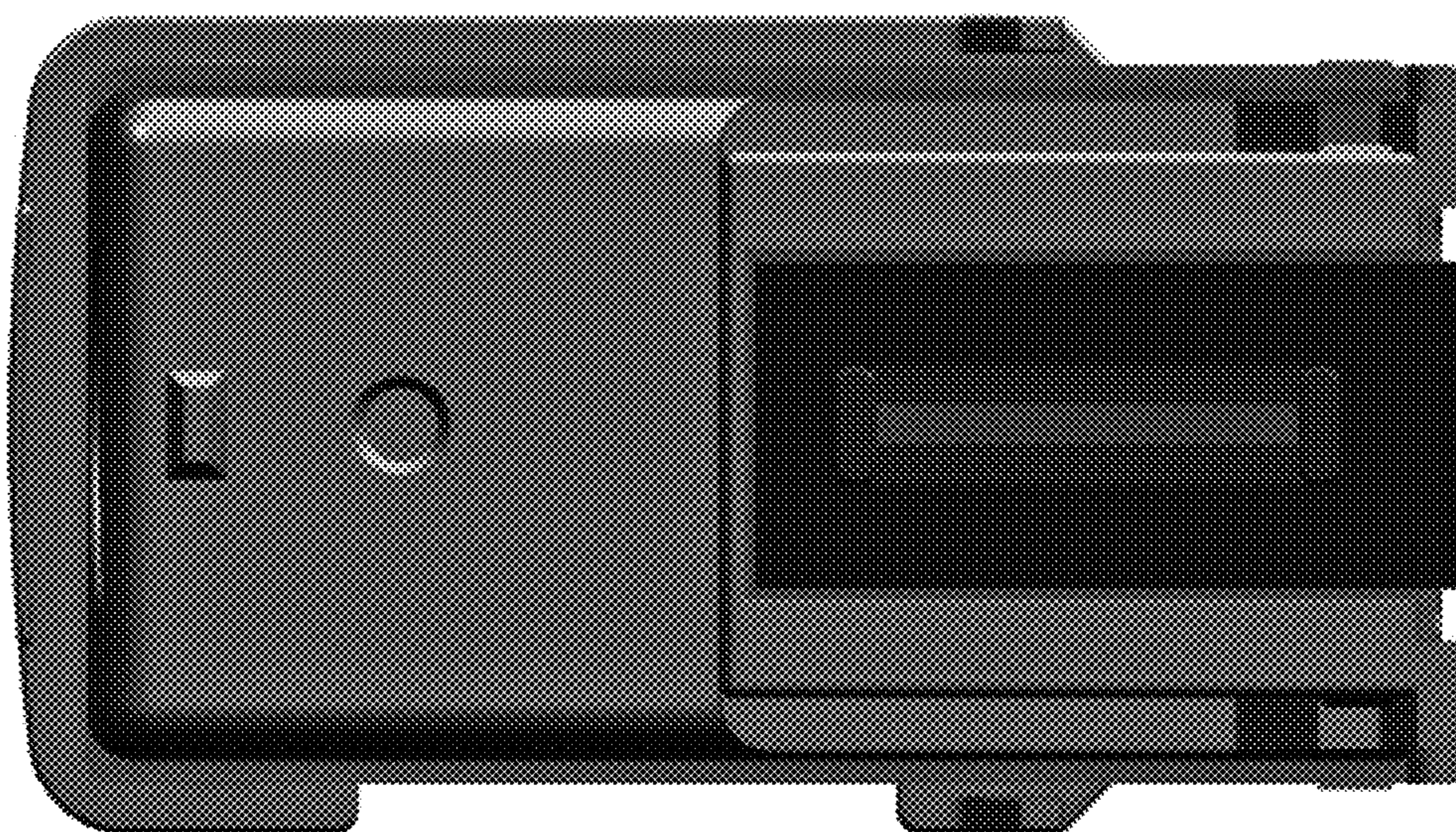


FIG. 4

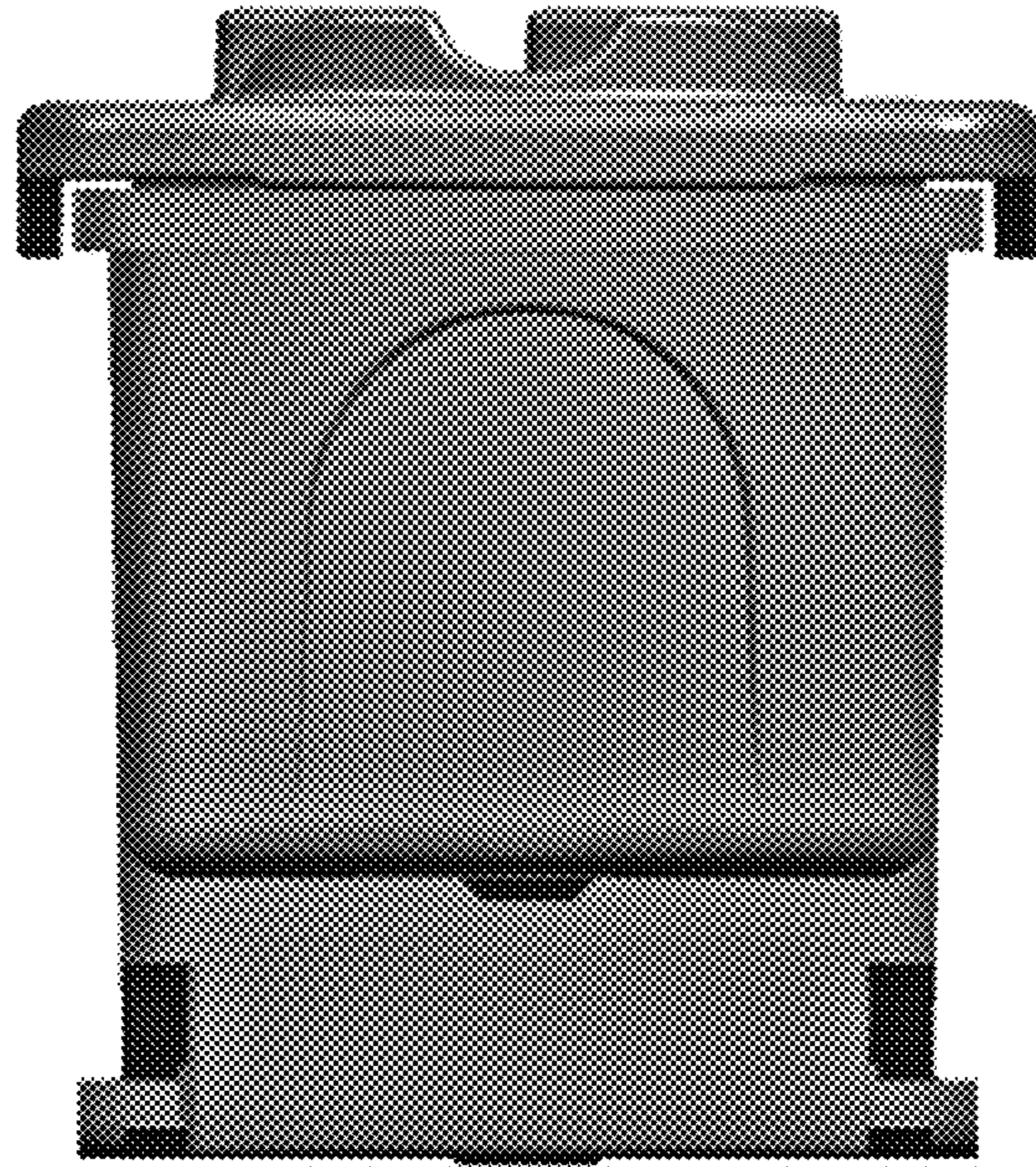


FIG. 5

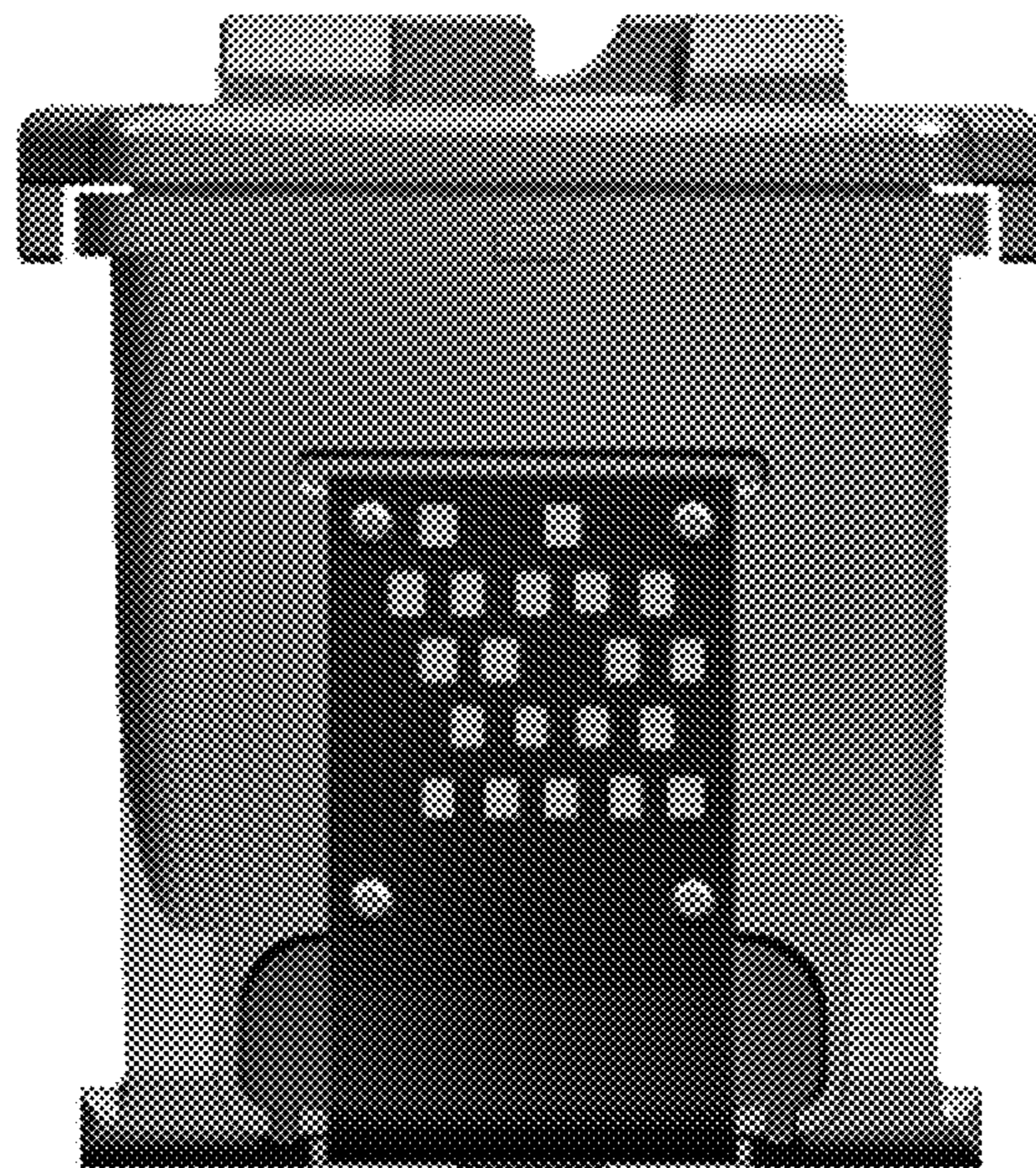


FIG. 6

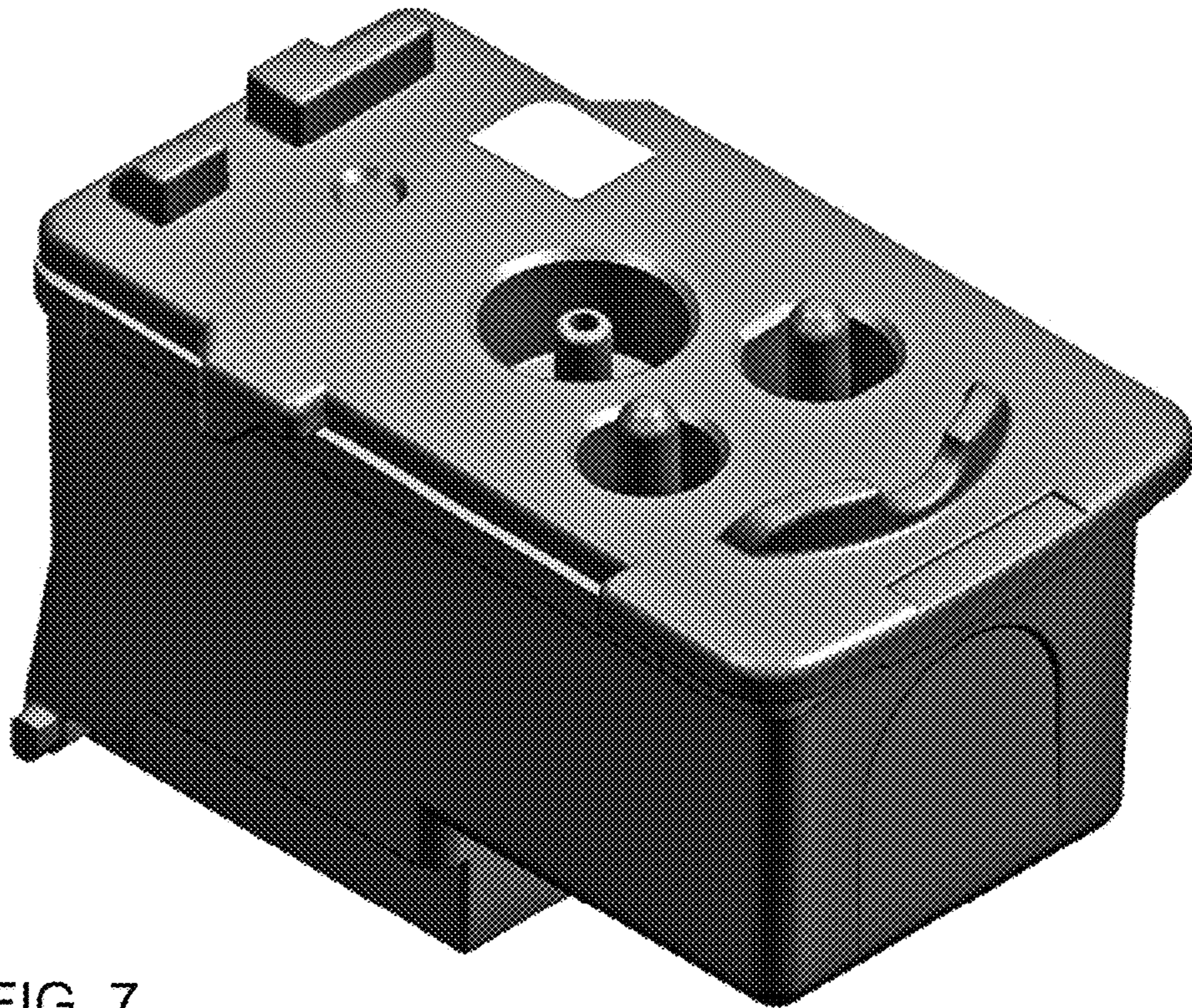


FIG. 7

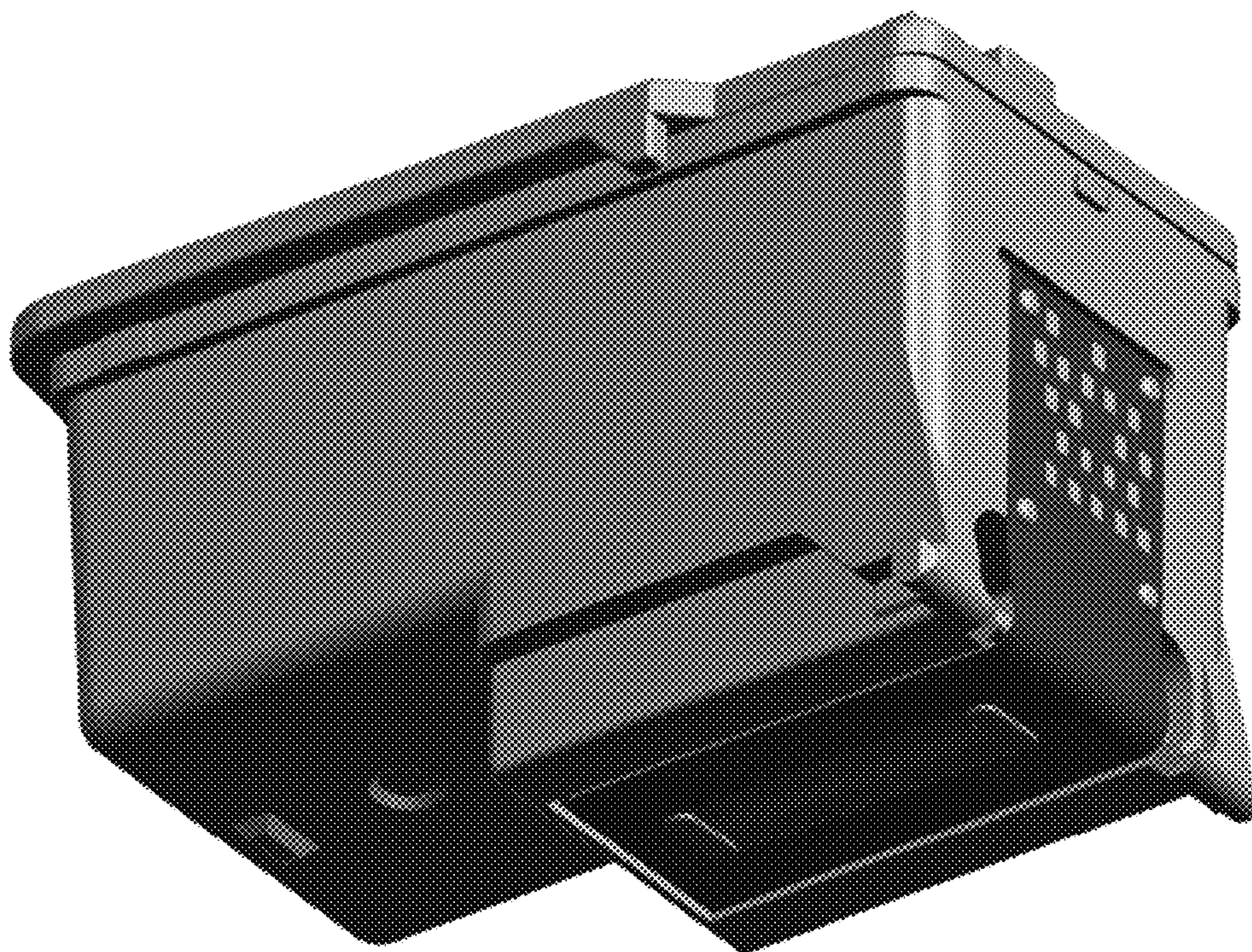


FIG. 8