



US00D831738S

(12) **United States Design Patent** (10) **Patent No.:** **US D831,738 S**
Kang et al. (45) **Date of Patent:** **** Oct. 23, 2018**

(54) **TONER CARTRIDGE**
 (71) Applicant: **S-Printing Solution Co., Ltd.**,
 Suwon-si, Gyeonggi-do (KR)
 (72) Inventors: **Minwoo Kang**, Osa-si (KR); **Jungho Roh**,
 Suwon-si (KR); **Myeongdong Kim**, Cheongju-si (KR); **Yong-Sung Kim**,
 Seoul (KR); **Youngkwang Shin**, Suwon-si (KR)

D692,944 S * 11/2013 Noh D18/43
 D736,851 S * 8/2015 Kang D18/43
 D746,906 S * 1/2016 Kitagawa D18/43
 D774,130 S * 12/2016 Yoshii D18/43
 D785,082 S * 4/2017 Murase D18/43
 D785,083 S * 4/2017 Ahn D18/43
 D791,225 S * 7/2017 Yoshii D18/43
 D791,865 S * 7/2017 Yoshii D18/43
 D794,116 S * 8/2017 Suzuki D18/43
 D798,380 S * 9/2017 Murata D18/43
 D806,788 S * 1/2018 Murase D18/43

(Continued)

(73) Assignee: **S-PRINTING SOLUTION CO., LTD.**,
 Gyeonggi-Do, Suwon-si (KR)

Primary Examiner — Robin V Webster

Assistant Examiner — James C Thorn, Sr.

(**) Term: **15 Years**

(74) *Attorney, Agent, or Firm* — Cantor Colburn LLP

(21) Appl. No.: **29/547,414**

(57) **CLAIM**

The ornamental design for a toner cartridge, as shown and described.

(22) Filed: **Dec. 3, 2015**

(30) **Foreign Application Priority Data**

DESCRIPTION

Sep. 16, 2015 (KR) 30-2015-0047119

(51) **LOC (11) Cl.** **16-03**

(52) **U.S. Cl.**
 USPC **D18/43**

(58) **Field of Classification Search**
 USPC D18/43, 36-37, 40, 50, 55
 CPC G03G 21/12; G03G 15/0834; G03G
 15/0837; G03G 15/0872; G03G
 2215/0668; H04N 2201/0094
 See application file for complete search history.

FIG. 1 is a top perspective view of a toner cartridge showing our new design;
 FIG. 2 is a front elevation view thereof;
 FIG. 3 is a rear elevation view thereof;
 FIG. 4 is a left side elevation view thereof;
 FIG. 5 is a right side elevation view thereof;
 FIG. 6 is a top plan view thereof;
 FIG. 7 is a bottom plan view thereof;
 FIG. 8 is a bottom perspective view thereof;
 FIG. 9 is an enlarged top perspective view of the encircled portion of FIG. 1; and,
 FIG. 10 is an enlarged top perspective view of the encircled portion of FIG. 8.

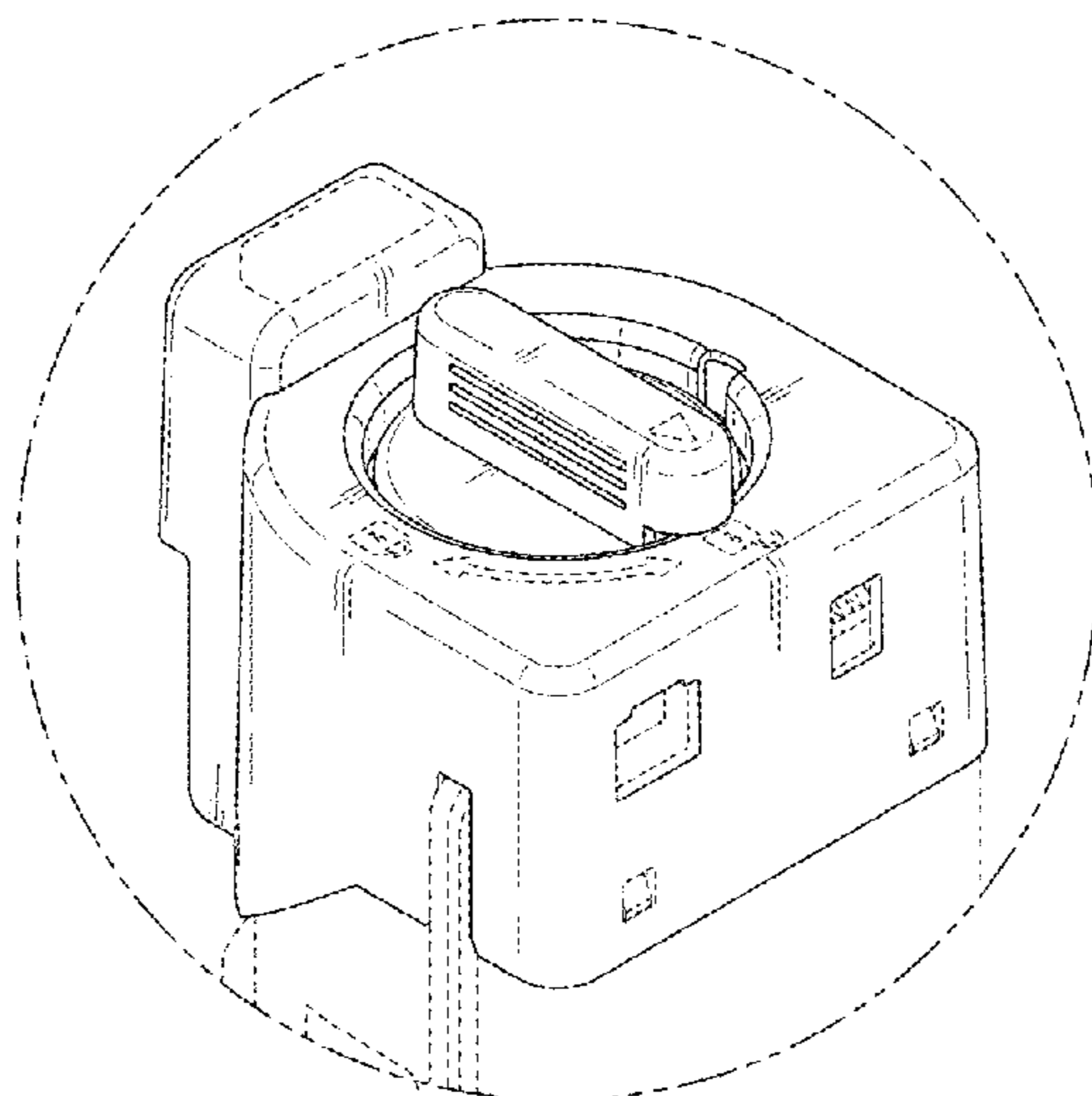
(56) **References Cited**

U.S. PATENT DOCUMENTS

D394,083 S * 5/1998 Jyoroku D18/43
 D574,882 S * 8/2008 Saito D18/43
 D630,244 S * 1/2011 Takiguchi D18/43
 D636,016 S * 4/2011 Naito D18/43
 D653,702 S * 2/2012 Amberg D18/43
 D689,128 S * 9/2013 Amberg D18/43

The dashed broken lines in the figures represent portions of the toner cartridge that form no part of the claimed design. The dot-dot-dash broken lines in the figures encircling portions of the claimed design that are illustrated in an enlarged view form no part of the claimed design.

1 Claim, 10 Drawing Sheets



(56)

References Cited

U.S. PATENT DOCUMENTS

D807,954 S * 1/2018 Murase D18/43
D817,387 S * 5/2018 Han D18/43
2017/0003621 A1* 1/2017 Wang G03G 15/0865
2017/0329256 A1* 11/2017 Li G03G 15/0841
2018/0081298 A1* 3/2018 Erickson G03G 15/0872

* cited by examiner

FIG. 1

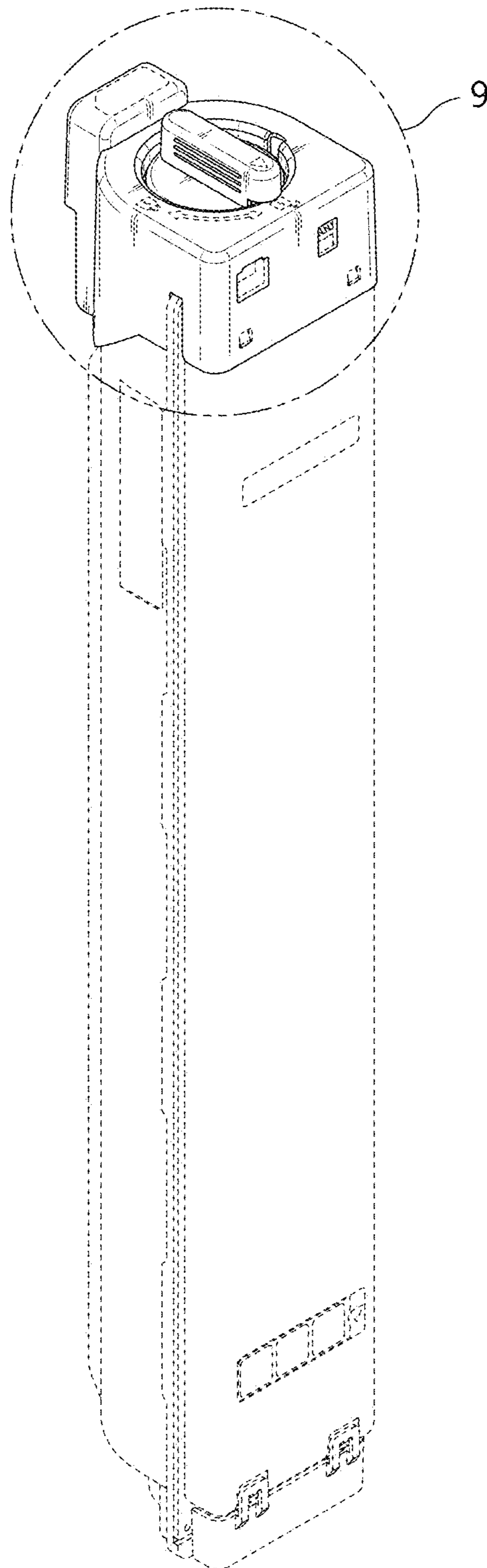


FIG. 2

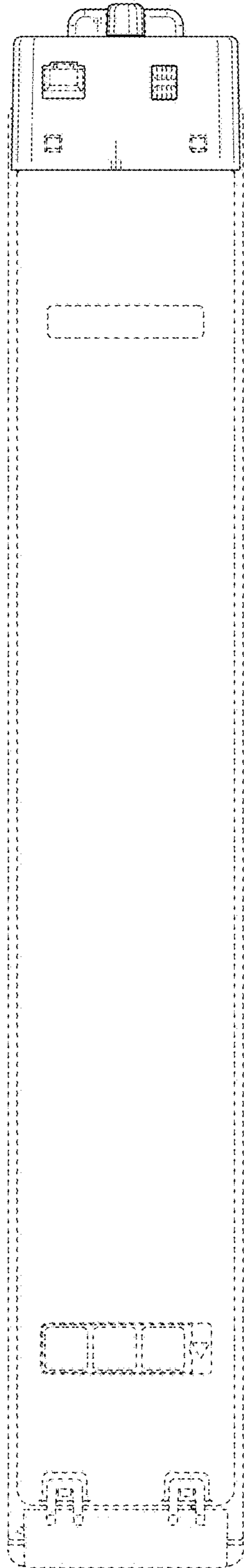


FIG. 3

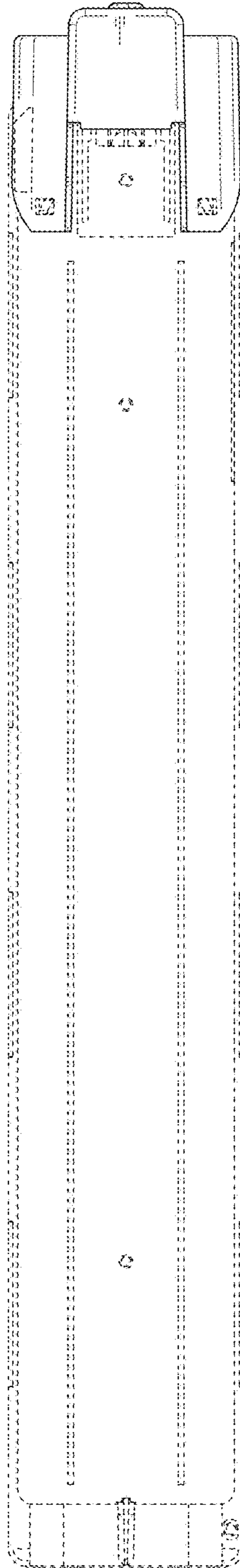


FIG. 4

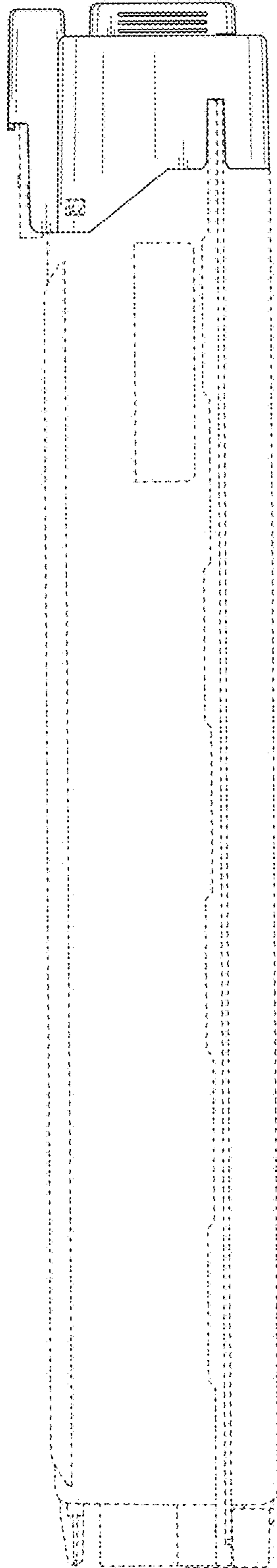


FIG. 5

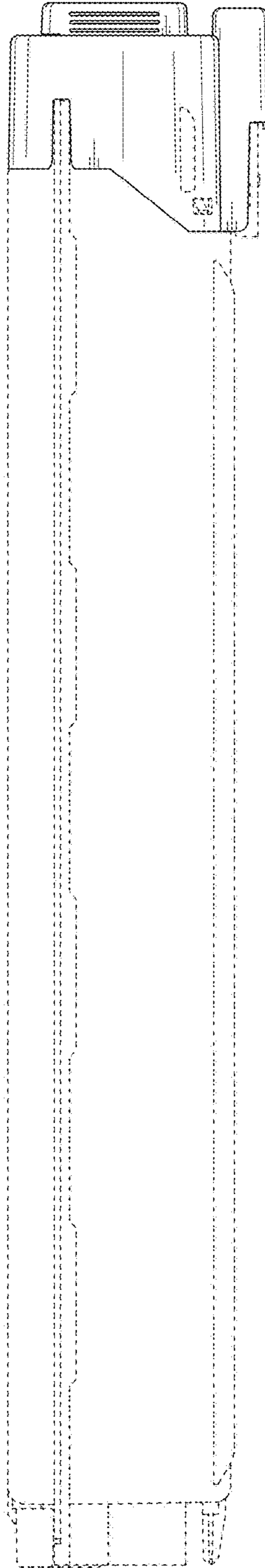


FIG. 6

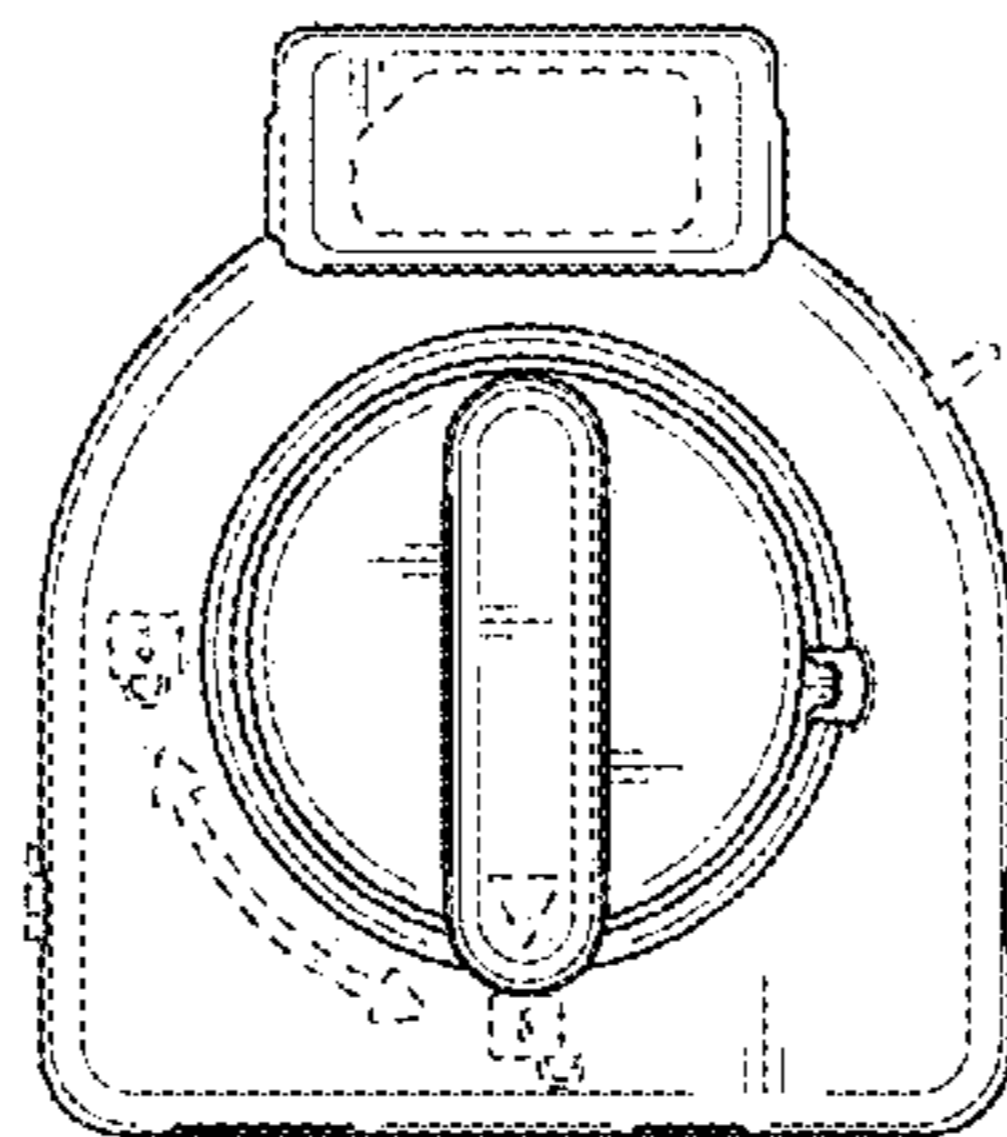


FIG. 7

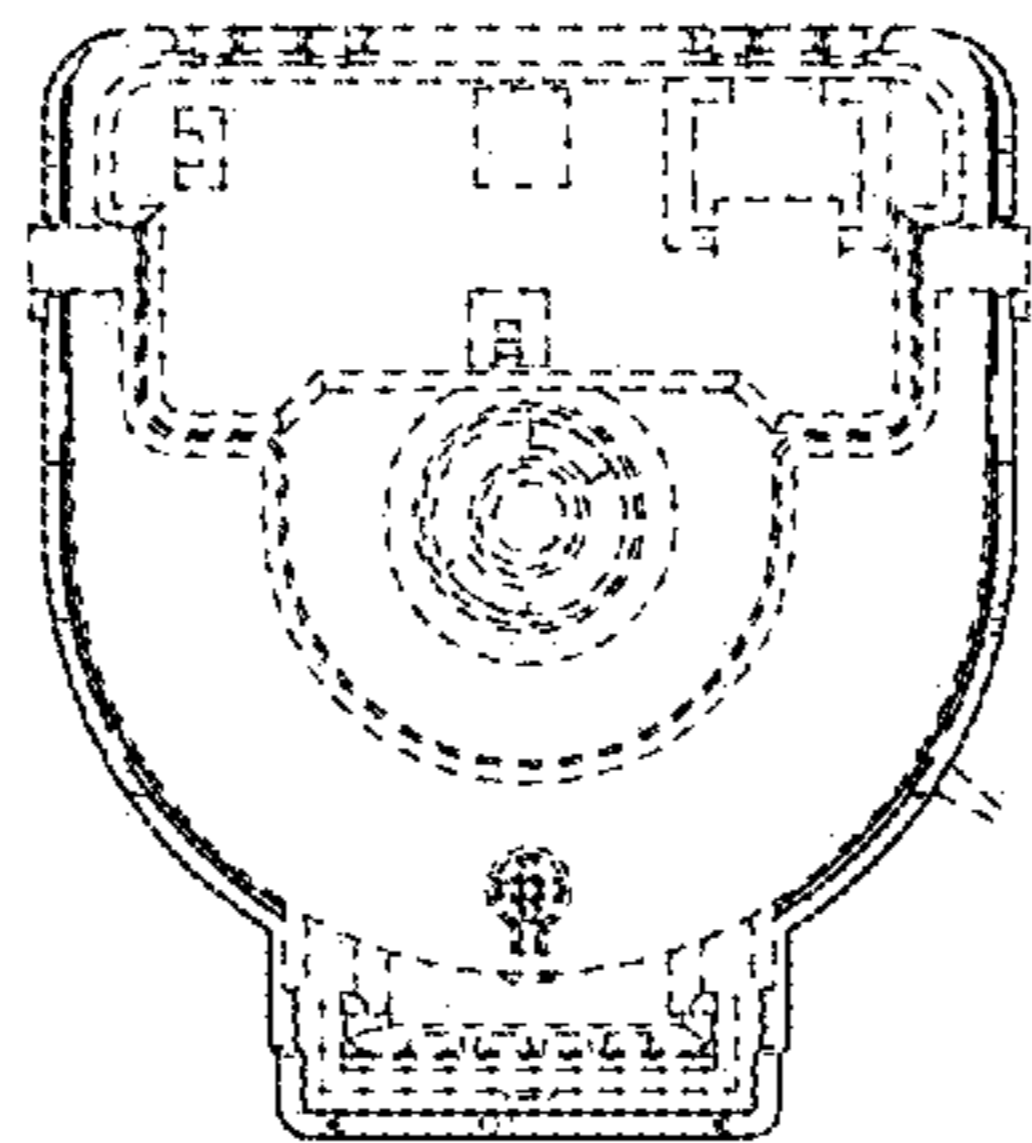


FIG. 8

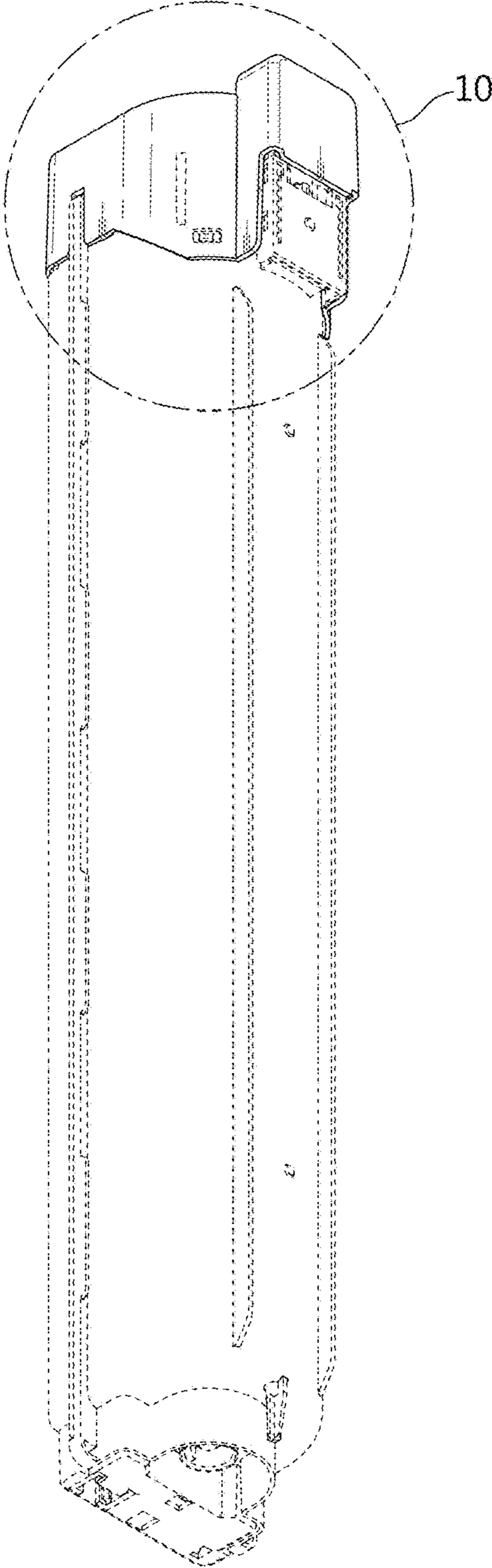


FIG. 9

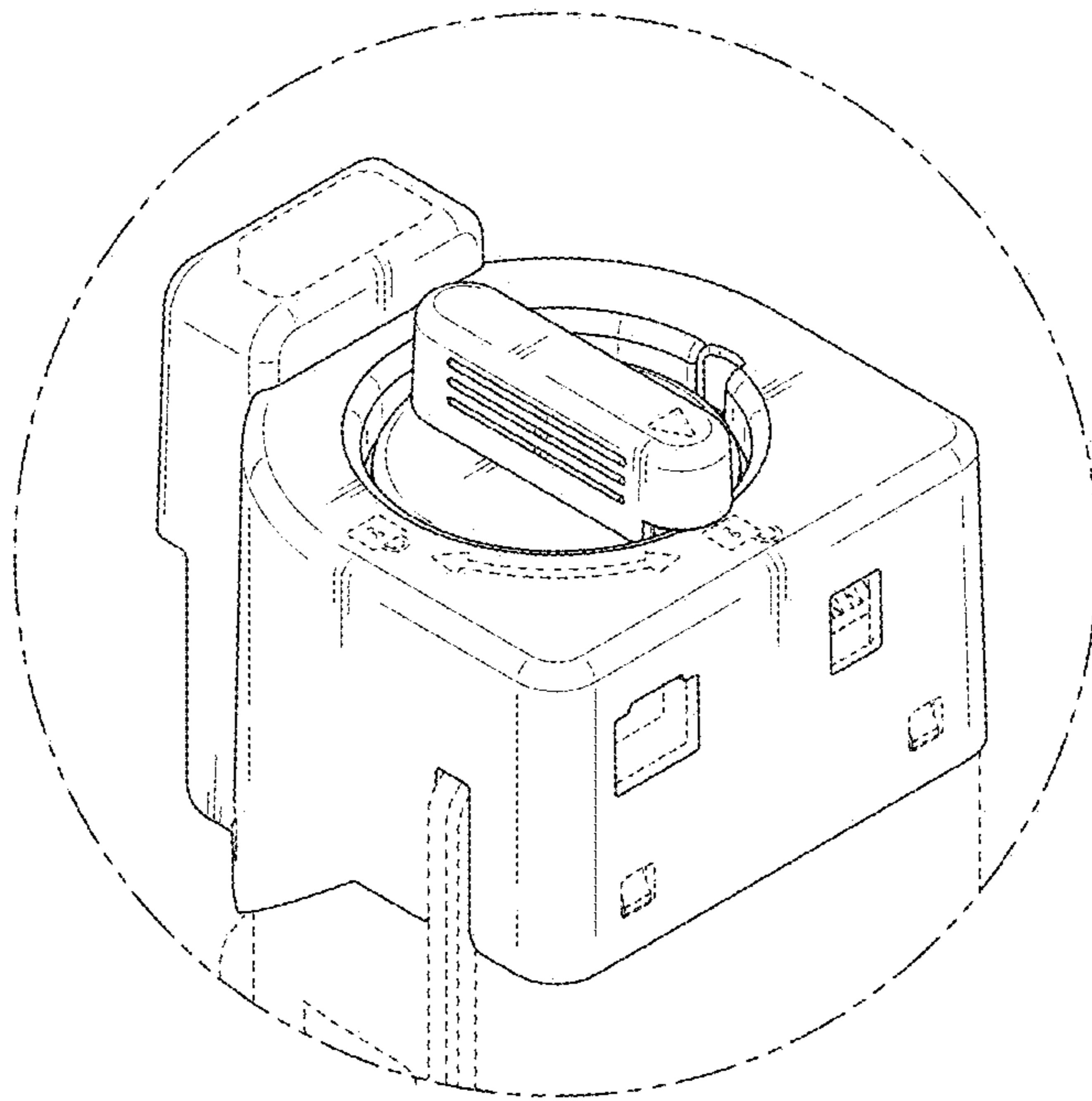


FIG. 10

