



US00D831736S

(12) **United States Design Patent** (10) **Patent No.:** **US D831,736 S**
Shih (45) **Date of Patent:** **** Oct. 23, 2018**

(54) **DIE PLATE FOR PRINTING PLATE OF STAMP**

(71) Applicant: **Sun Same Enterprises Co., Ltd.,**
Tainan (TW)

(72) Inventor: **Wen-Jer Shih, Tainan (TW)**

(73) Assignee: **Sun Same Enterprises Co., Ltd.,**
Tainan (TW)

(**) Term: **15 Years**

(21) Appl. No.: **29/608,476**

(22) Filed: **Jun. 22, 2017**

(51) **LOC (11) Cl.** **19-02**

(52) **U.S. Cl.**
USPC **D18/15**

(58) **Field of Classification Search**
USPC D18/15, 18, 17, 19; D19/65-68, 70-71;
101/378; D7/409
CPC ... B41K 1/02; B41K 1/08; B41K 1/40; B41K
1/42; B41K 1/52; B41K 1/54; B41K 1/56
See application file for complete search history.

(56) **References Cited**

U.S. PATENT DOCUMENTS

D31,043	S	*	6/1899	Smith	D7/409
830,049	A	*	9/1906	Brickett	B41K 1/54 118/265
D183,298	S	*	8/1958	Brown	D7/409
D371,881	S	*	7/1996	Provot	D34/38
D441,009	S	*	4/2001	Hayashi	D18/15
D484,250	S	*	12/2003	Martinez	D25/47.1
D584,763	S	*	1/2009	Yonezu	D18/18
D621,440	S	*	8/2010	Shih	D18/15

D623,013	S	*	9/2010	Alden	D7/409
D747,405	S	*	1/2016	Shih	D18/15
9,630,435	B1	*	4/2017	Shih	B41K 1/40
9,731,530	B1	*	8/2017	Shih	B41K 3/38
D802,655	S	*	11/2017	Kida	D18/15
D810,518	S	*	2/2018	Miller	D7/667
D812,425	S	*	3/2018	Reischmann	D7/409
D812,957	S	*	3/2018	McGuinness	D7/334

* cited by examiner

Primary Examiner — Robin V Webster

Assistant Examiner — James C Thorn, Sr.

(74) *Attorney, Agent, or Firm* — Alan D. Kamrath;
Kamrath IP Lawfirm, P.A.

(57) **CLAIM**

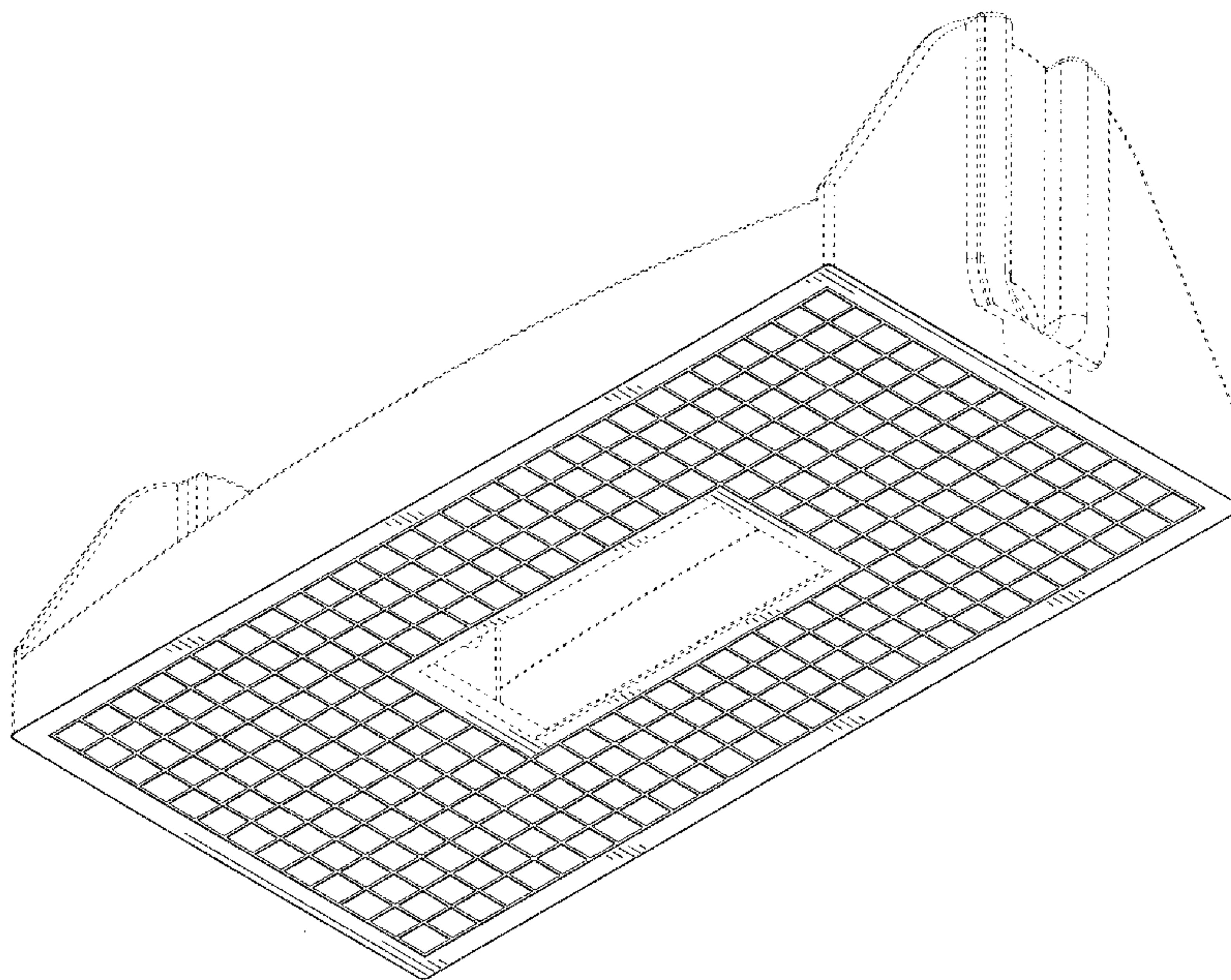
The ornamental design for a die plate for printing plate of stamp, as shown and described.

DESCRIPTION

FIG. 1 is a perspective view of a die plate for printing plate of stamp showing my new design;
FIG. 2 is a front view thereof;
FIG. 3 is a rear view thereof;
FIG. 4 is a left side view thereof;
FIG. 5 is a right side view thereof;
FIG. 6 is a top view thereof;
FIG. 7 is a bottom view thereof; and,
FIG. 8 is a right side view in partial section thereof along line A-A in FIG. 7.

The portions of the figures shown in broken lines depict environmental subject matter, are for illustration only and form no part of the claimed design.

1 Claim, 7 Drawing Sheets



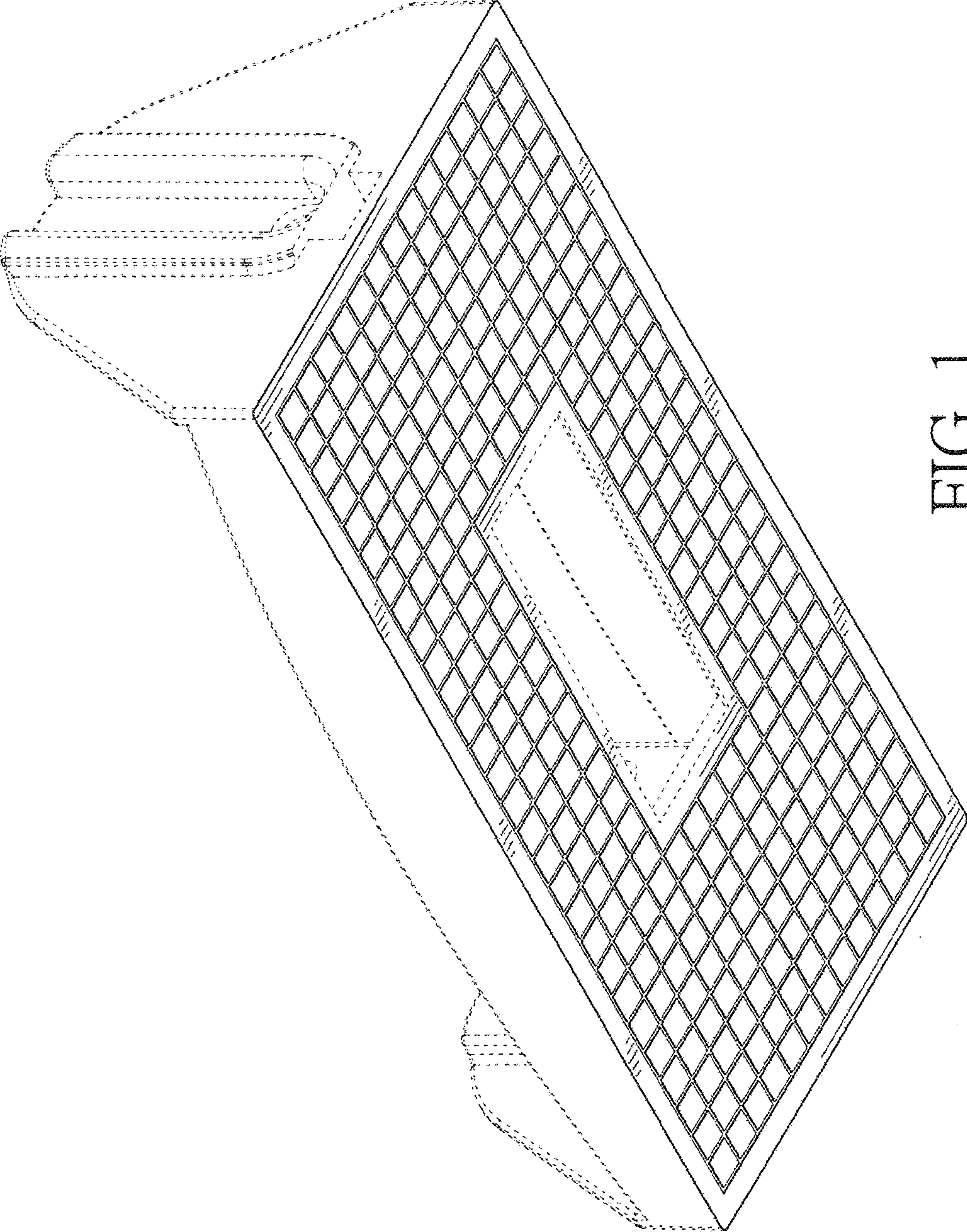


FIG. 1

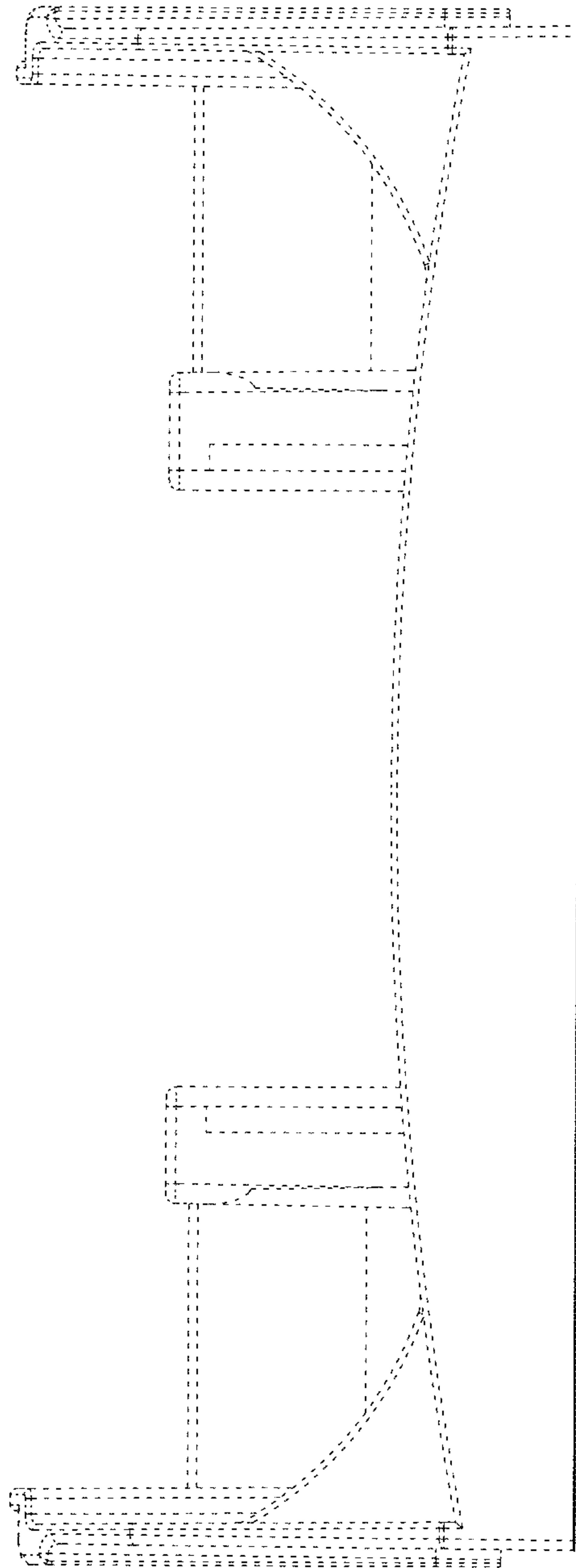


FIG. 2

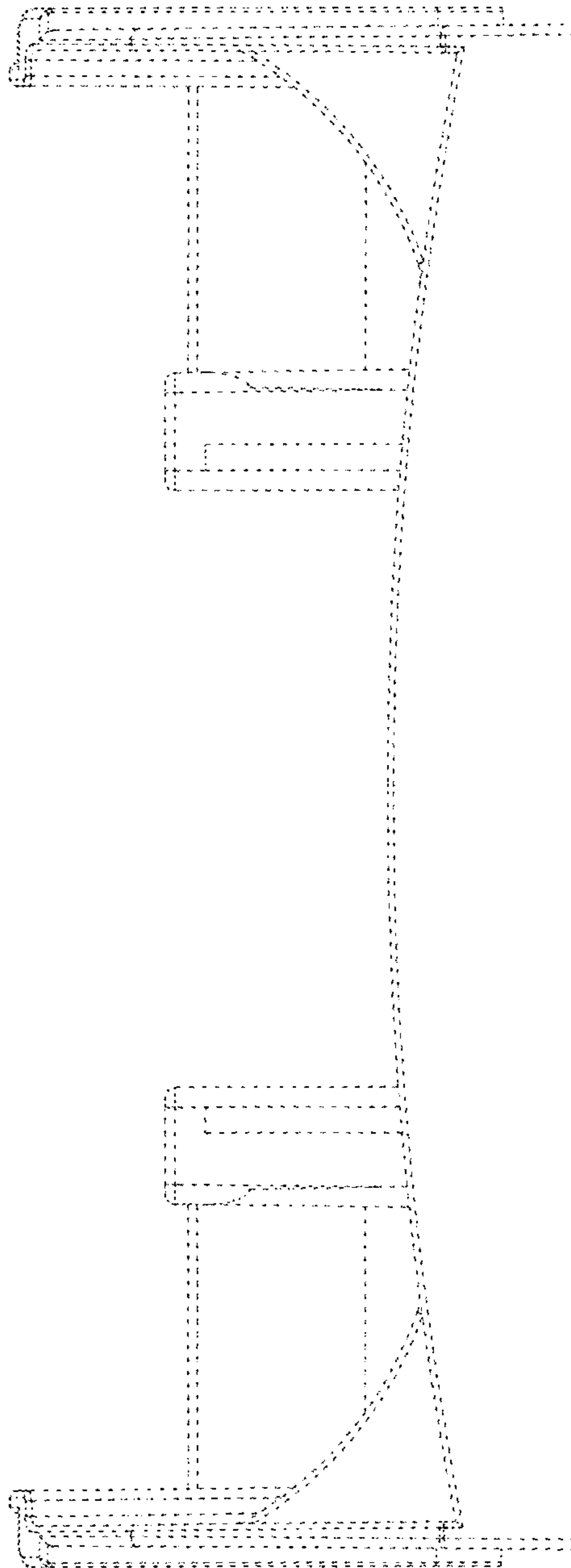


FIG. 3

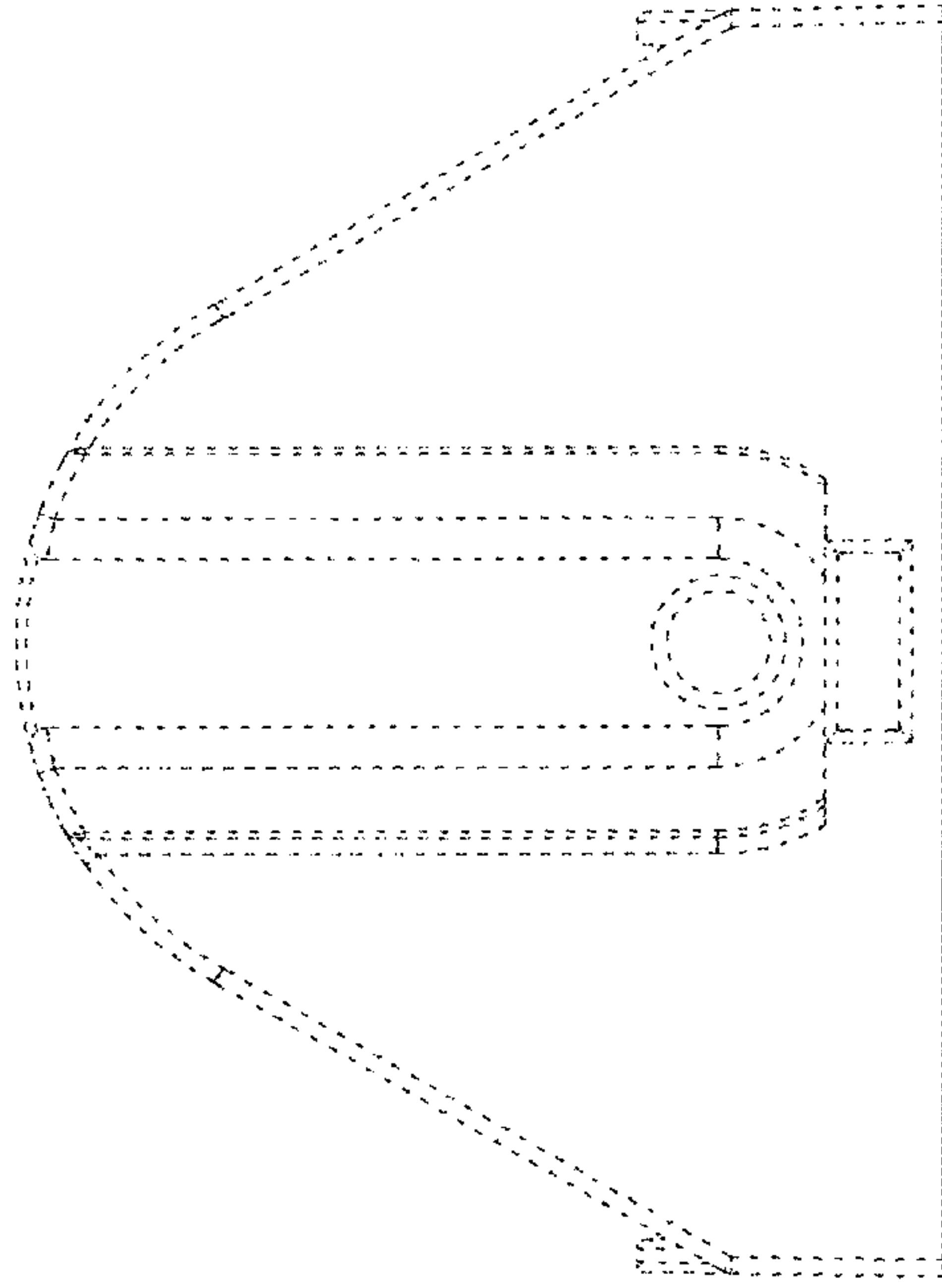


FIG. 4

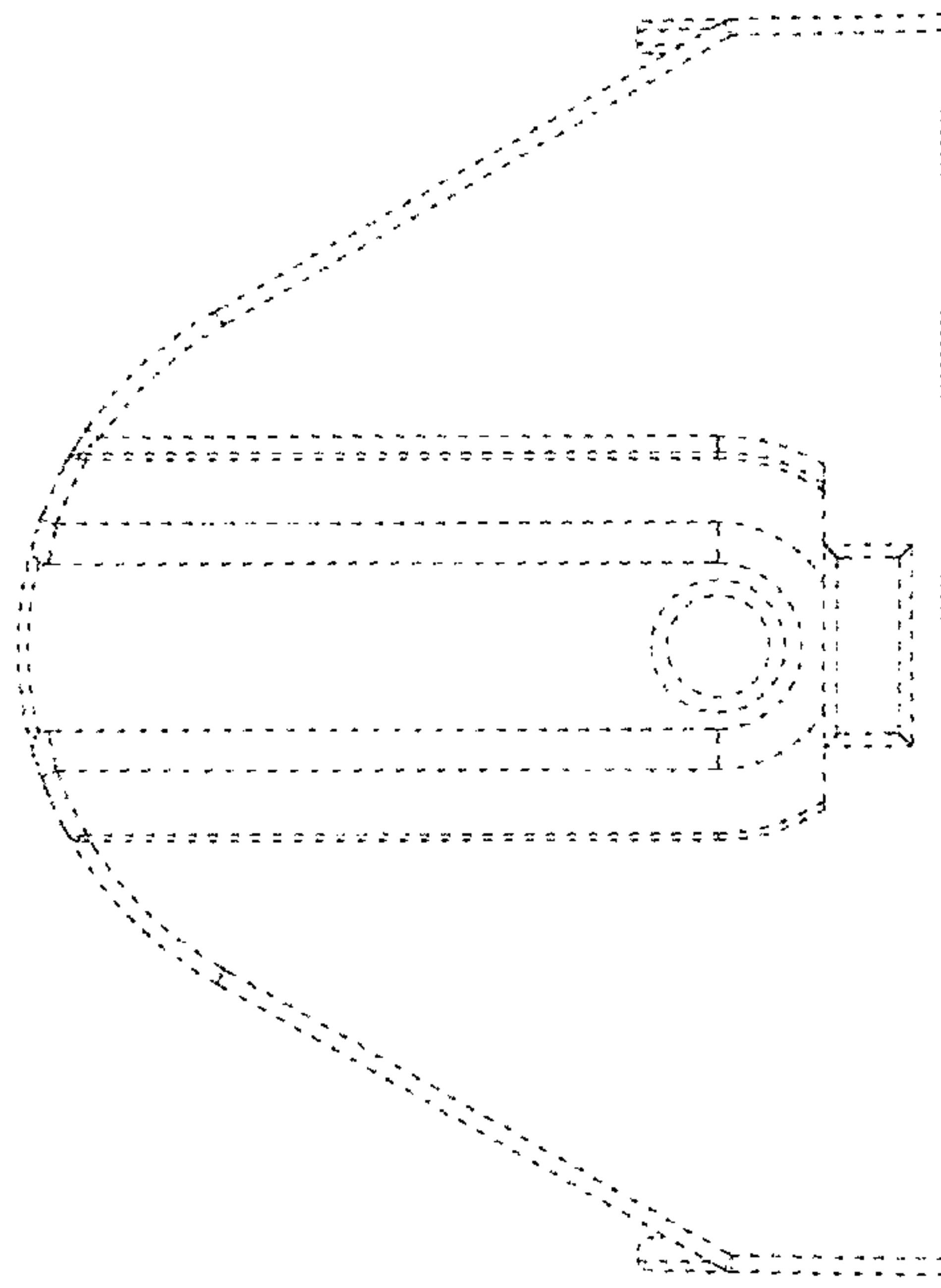


FIG. 5

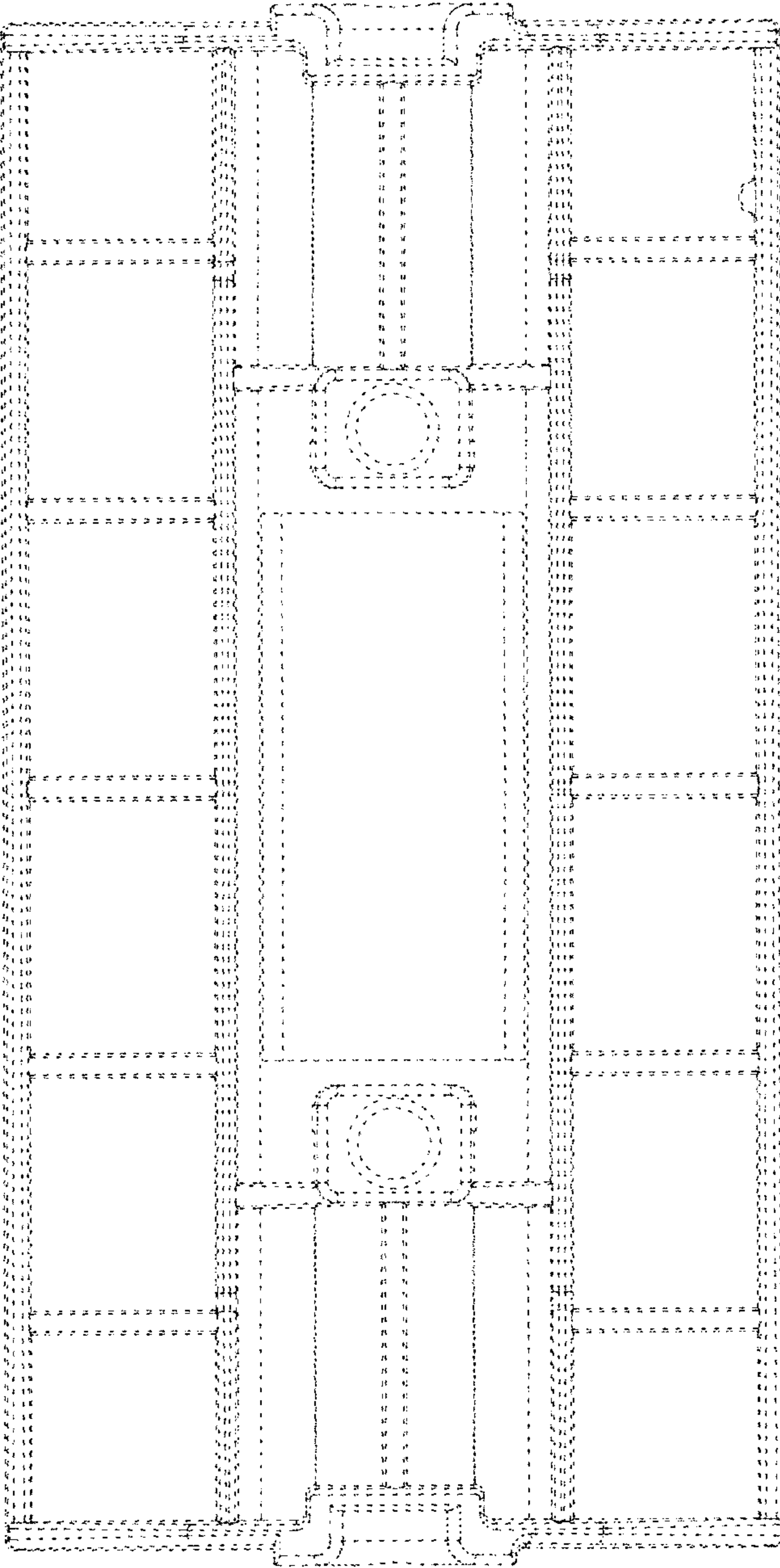


FIG. 6

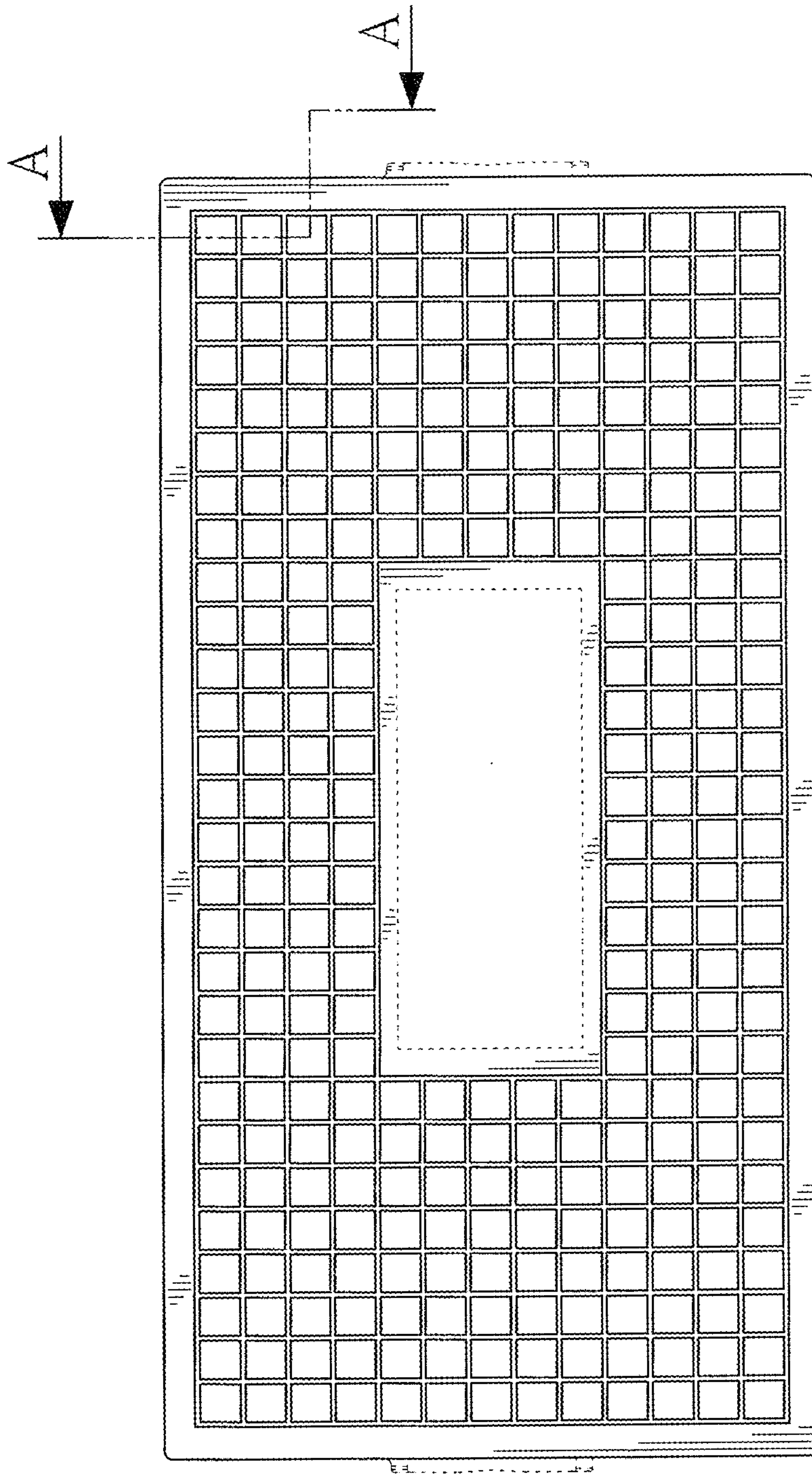


FIG. 7

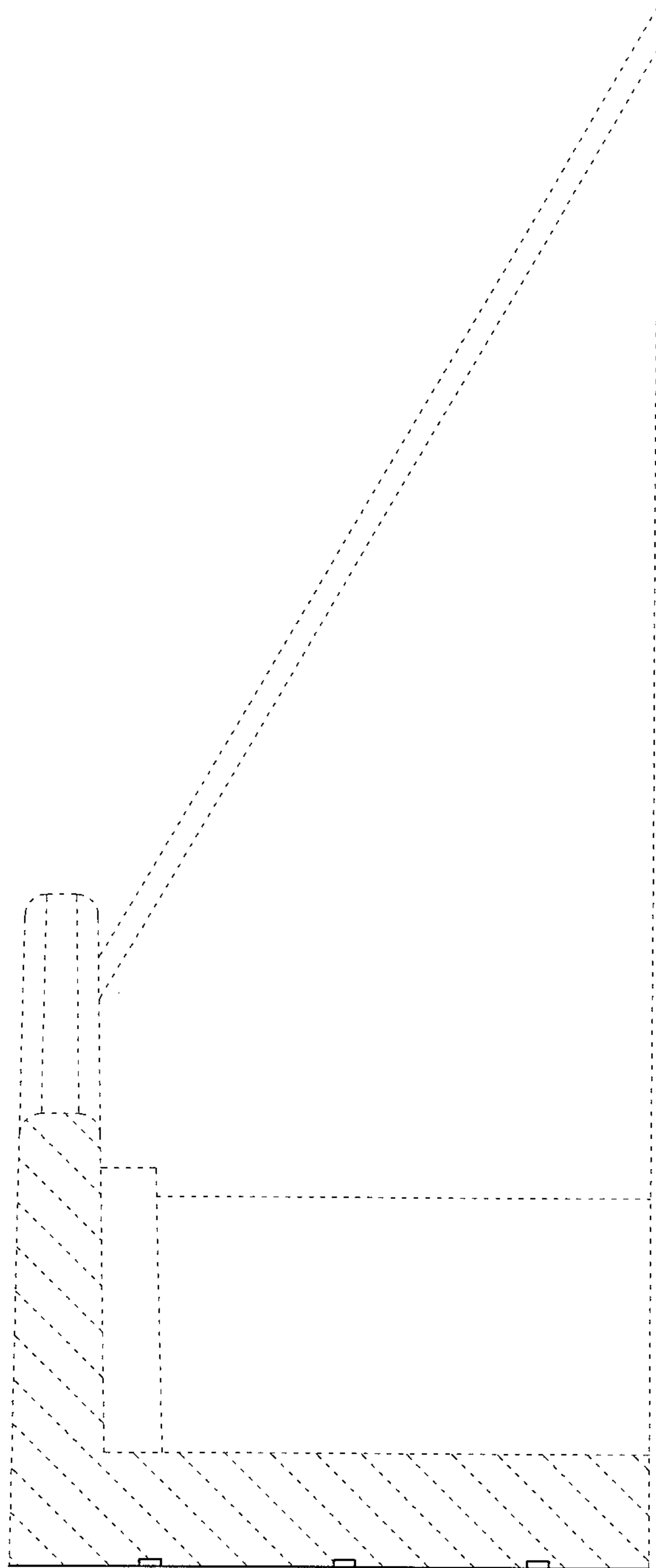


FIG. 8