



US00D831730S

(12) **United States Design Patent** (10) **Patent No.:** **US D831,730 S**  
**Sharver** (45) **Date of Patent:** **\*\* Oct. 23, 2018**

(54) **TRAIL CAMERA WEATHER GUARD**

(71) Applicant: **Timothy A. Sharver**, Cabot, AR (US)

(72) Inventor: **Timothy A. Sharver**, Cabot, AR (US)

(\*\*) Term: **15 Years**

(21) Appl. No.: **29/620,723**

(22) Filed: **May 11, 2017**

(51) **LOC (11) Cl.** ..... **16-05**

(52) **U.S. Cl.**  
USPC ..... **D16/237**

(58) **Field of Classification Search**  
USPC ..... D16/203, 208, 213–219, 235–250;  
D14/217, 229, 250–253; D8/353, 362,  
D8/371, 394  
CPC ..... G03B 17/02–17/04; G03B 17/14; G03B  
17/56; G03B 17/561–17/568; G03B  
21/20; G02B 7/00–7/002; F16M 11/02;  
F16M 11/04; F16M 11/20; F16M 11/40  
See application file for complete search history.

(56) **References Cited**

**U.S. PATENT DOCUMENTS**

1,633,467	A *	6/1927	Whitehead	.....	E04F 10/02 160/105
D376,611	S *	12/1996	Field	.....	224/265
D528,144	S *	9/2006	Takemasa	.....	D16/203
D593,842	S *	6/2009	Corbin	.....	D8/353
D624,950	S *	10/2010	Hall, Jr.	.....	D16/237
D732,382	S *	6/2015	Zalanca	.....	D8/394
D753,750	S *	4/2016	Coward	.....	D16/202
D754,775	S *	4/2016	Hayes	.....	D16/242
D754,779	S *	4/2016	Daniel	.....	D16/243
D775,257	S *	12/2016	Holbrook	.....	D16/219
D795,943	S *	8/2017	Mitchell	.....	D16/203
D806,779	S *	1/2018	Martin	.....	D16/243
RE46,822	E *	5/2018	Moller-Lewin	.....	D16/203

D817,382	S *	5/2018	Roth	.....	D16/242
2004/0145887	A1 *	7/2004	Huang	.....	F21V 21/084 362/105
2005/0072532	A1 *	4/2005	Holden	.....	E04F 10/0685 160/66
2016/0362039	A1 *	12/2016	Chase	.....	E04F 10/02

**OTHER PUBLICATIONS**

HD Weather Proof Bullet Camera. Online, published date unknown. Retrieved on May 22, 2018 from URL: <https://www.onguardtx.com/collections/professional-cameras/products/hd-weather-proof-bullet-camera>.\*

\* cited by examiner

*Primary Examiner* — Karen S Acker  
*Assistant Examiner* — Omeed Agilee  
(74) *Attorney, Agent, or Firm* — Paul R. Martin

(57) **CLAIM**

The ornamental design for a trail camera weather guard, as shown and described.

**DESCRIPTION**

FIG. 1 is a perspective view of the trail camera weather guard of my new design showing it protecting a trail camera, shown in broken lines.

FIG. 2. Is a front elevational view thereof.

FIG. 3 is a back elevational view thereof.

FIG. 4 is a side elevational view thereof.

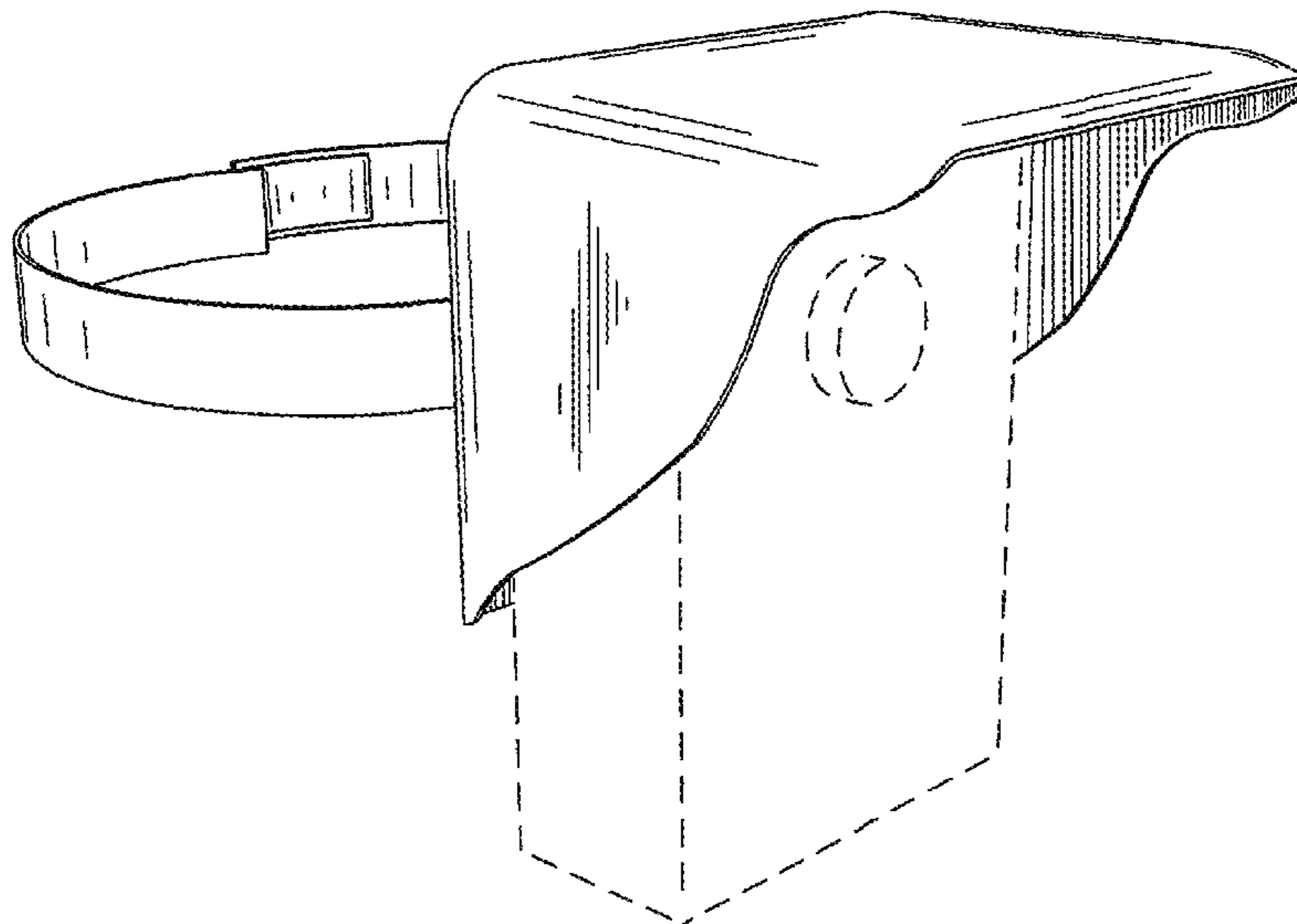
FIG. 5 is an elevational view of the side opposite to that of FIG. 4.

FIG. 6 is a top plan view thereof; and,

FIG. 7 is a bottom plan view thereof.

The broken line element in FIG. 1, depicting a trail camera situated underneath the trail camera weather guard of my new design, is an environmental element, and forms no part of my new design.

**1 Claim, 6 Drawing Sheets**



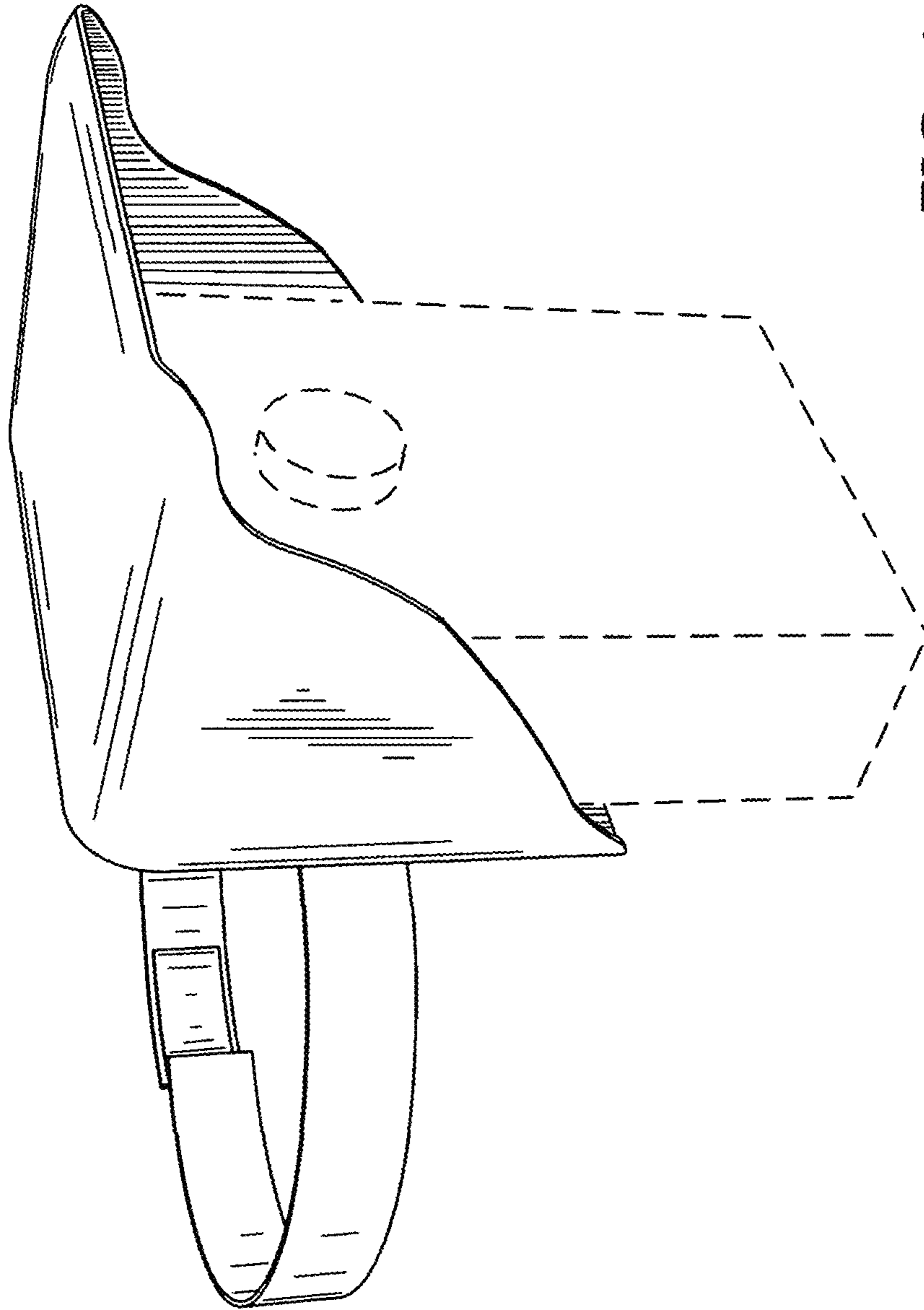


FIG. 1

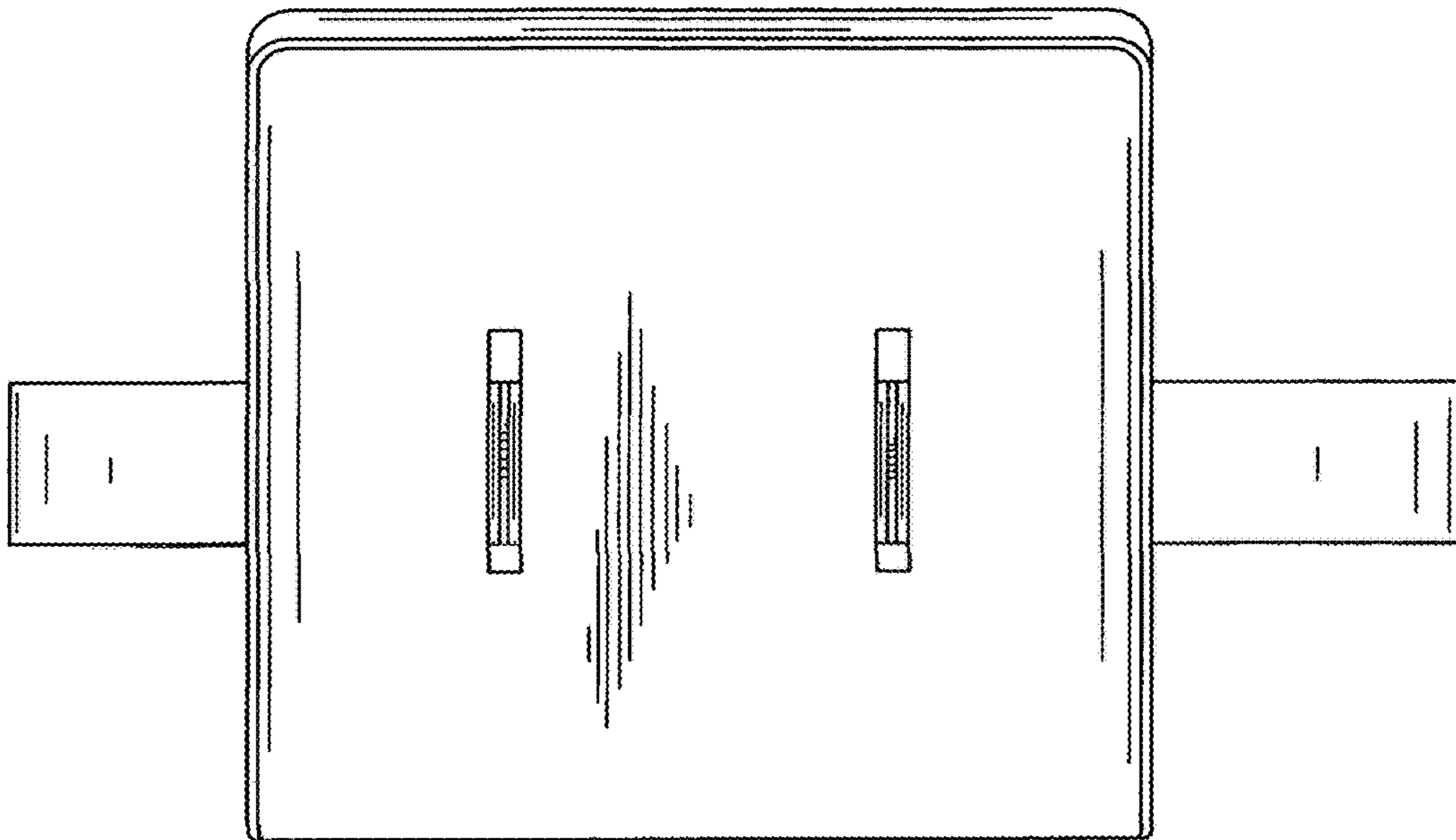


FIG. 2

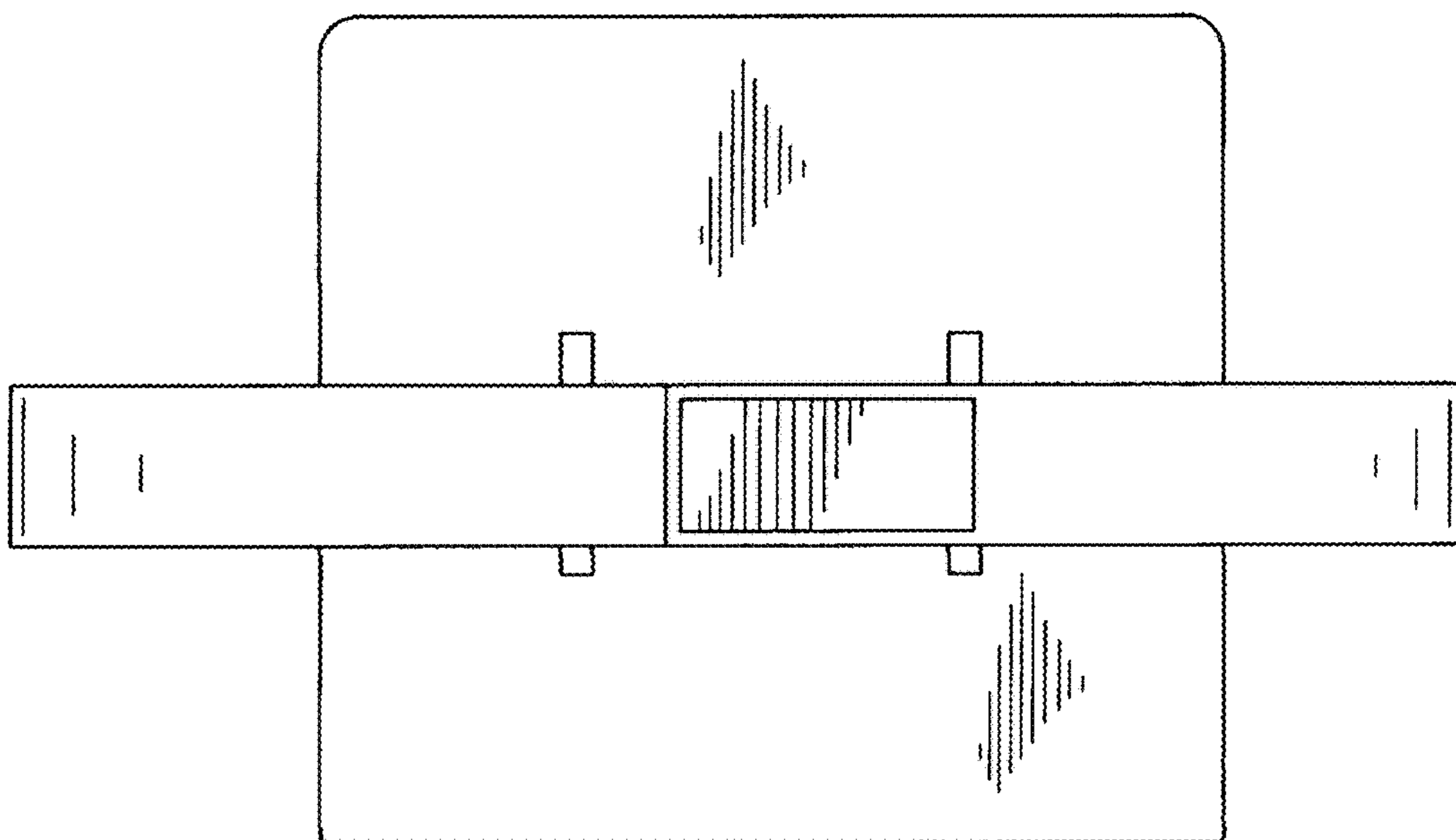


FIG. 3

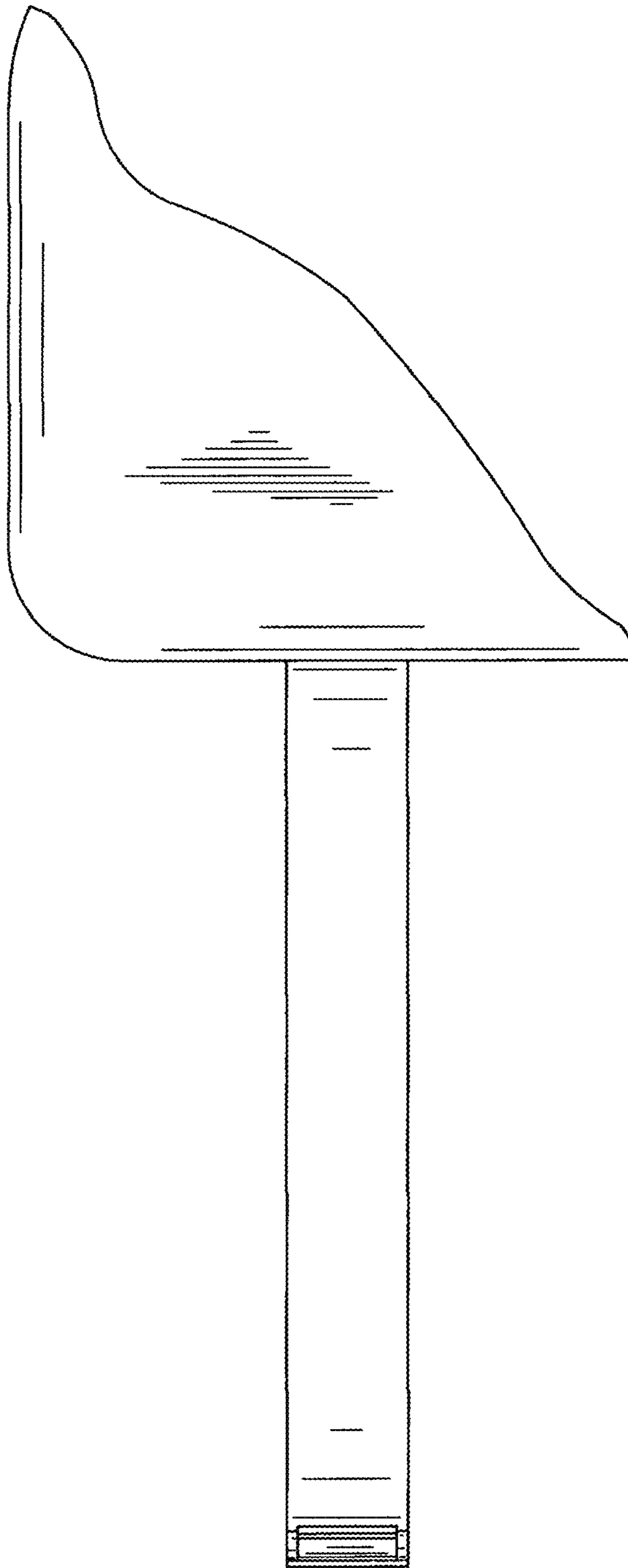


FIG. 4

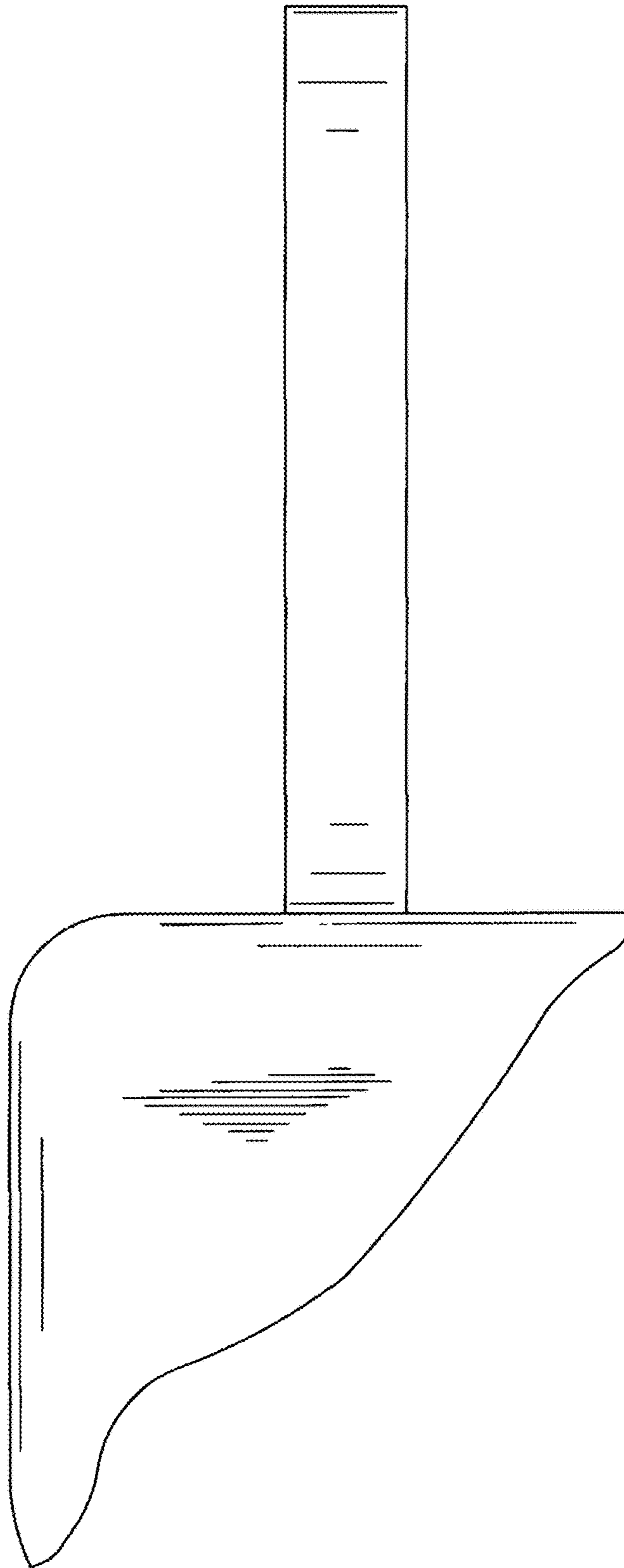


FIG. 5

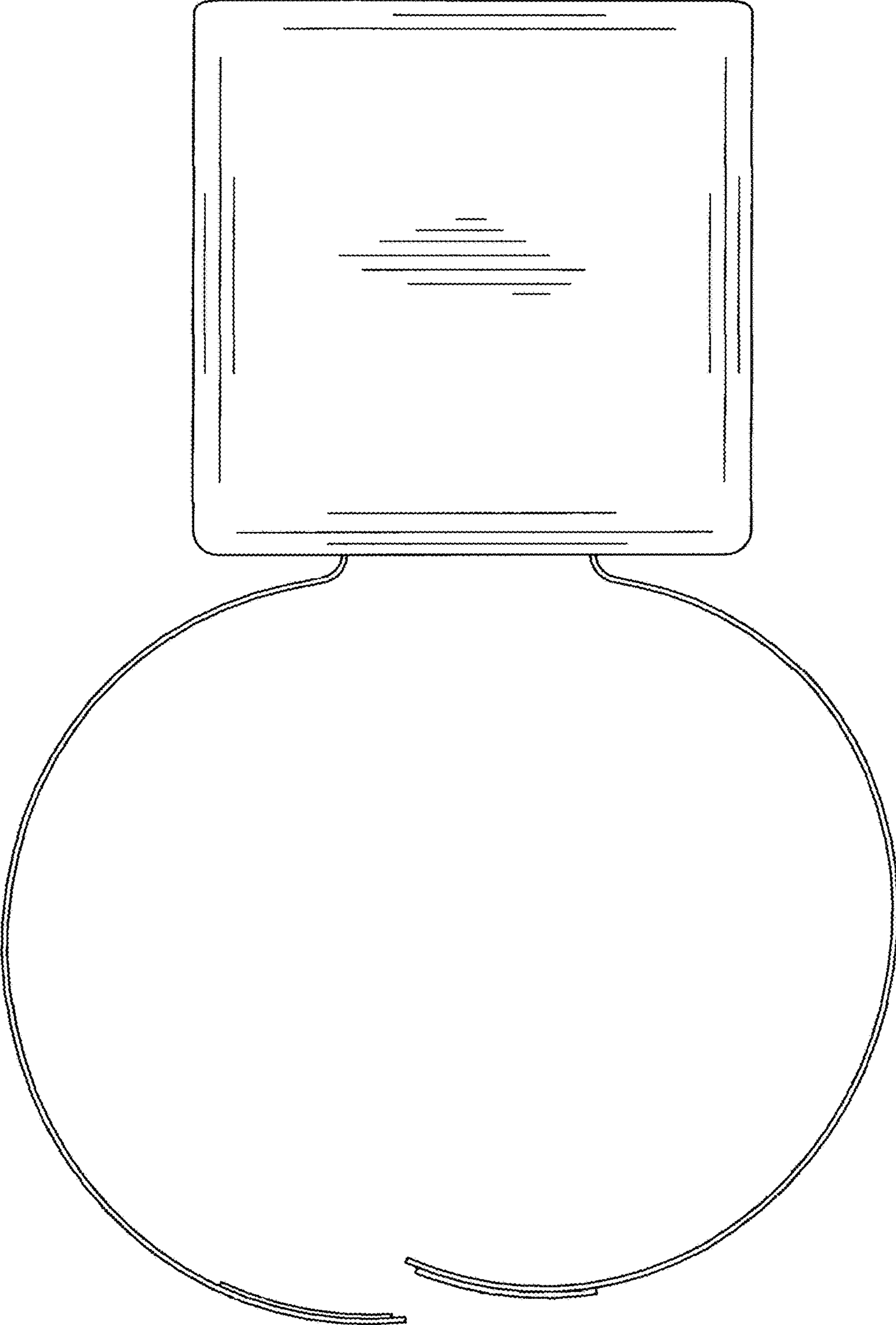


FIG. 6



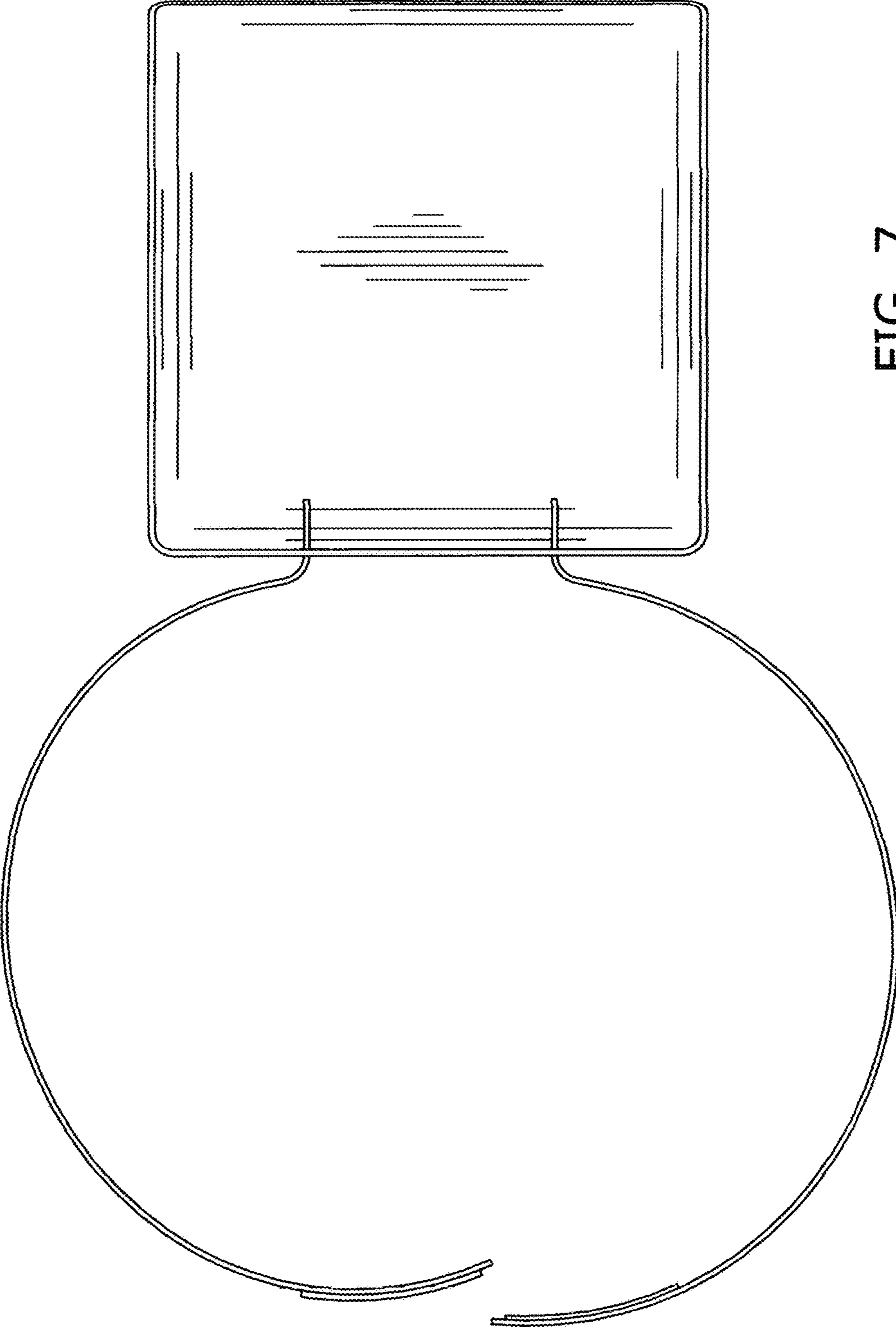


FIG. 7