



US00D831728S

(12) **United States Design Patent** (10) **Patent No.:** **US D831,728 S**
Xu (45) **Date of Patent:** **** Oct. 23, 2018**

(54) **PROJECTOR**

D655,739 S * 3/2012 Ogawa D16/225
D709,938 S * 7/2014 Okamoto D16/225
D727,996 S * 4/2015 Ogawa D16/230

(71) Applicant: **Guangzhou Rigal Electronics Co., Ltd**, Guangzhou (CN)

FOREIGN PATENT DOCUMENTS

(72) Inventor: **Baoshan Xu**, Guangzhou (CN)

CN 304209478 * 3/2017

(**) Term: **15 Years**

* cited by examiner

(21) Appl. No.: **29/611,933**

Primary Examiner — Wan Laymon

(22) Filed: **Jul. 26, 2017**

(74) *Attorney, Agent, or Firm* — Prakash Nama; Global IP Services, PLLC

(30) **Foreign Application Priority Data**

Jun. 21, 2017 (CN) 2017 3 0256810

(51) **LOC (11) Cl.** **16-02**

(52) **U.S. Cl.**
USPC **D16/225; D16/230**

(58) **Field of Classification Search**
USPC D16/221, 225, 230–231, 234; D21/514
CPC G03B 21/145; G03B 21/14; G03B 21/001;
G03B 21/003; G03B 21/00; G03B 21/12;
G03B 21/16

See application file for complete search history.

(56) **References Cited**

U.S. PATENT DOCUMENTS

D555,185 S * 11/2007 Nozue D16/225
D555,696 S * 11/2007 Naruki D16/225
D575,811 S * 8/2008 Ohki D16/225
D600,266 S * 9/2009 Nagase D16/225
8,118,437 B2 * 2/2012 Otsuki G03B 21/142
349/5

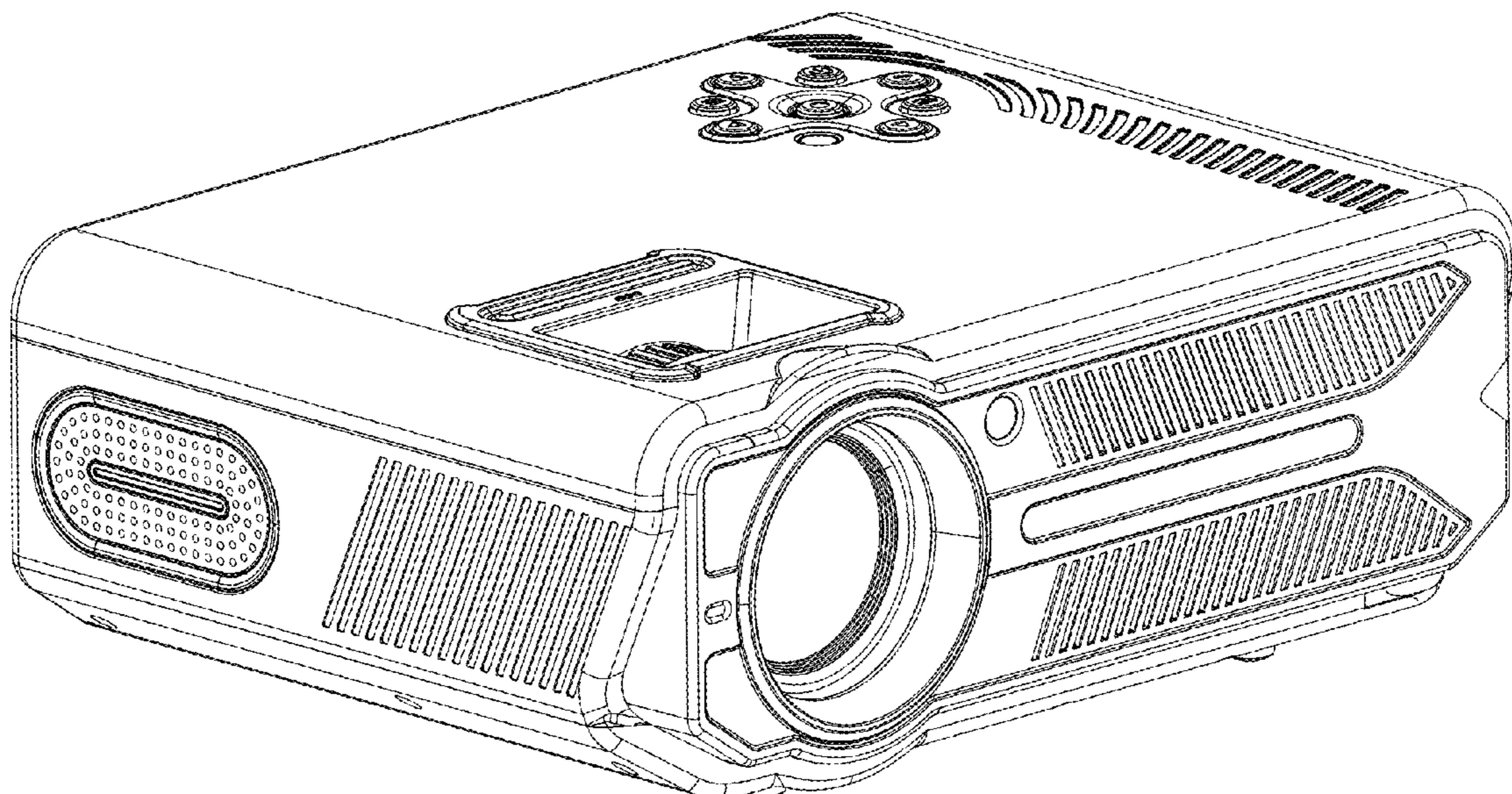
(57) **CLAIM**

The ornamental design for a projector, as shown and described.

DESCRIPTION

FIG. 1 is a front elevational view of a projector showing my new design;
FIG. 2 is a rear elevational view thereof;
FIG. 3 is a left side view thereof;
FIG. 4 is a right side view thereof;
FIG. 5 is an enlarged top plan view thereof;
FIG. 6 is an enlarged bottom plan view thereof;
FIG. 7 is a reduced perspective view thereof;
FIG. 8 is a reduced second perspective view thereof; and,
FIG. 9 is a reduced third perspective view thereof.
The broken lines illustrating portions of the projector that form no part of the claimed design.

1 Claim, 9 Drawing Sheets



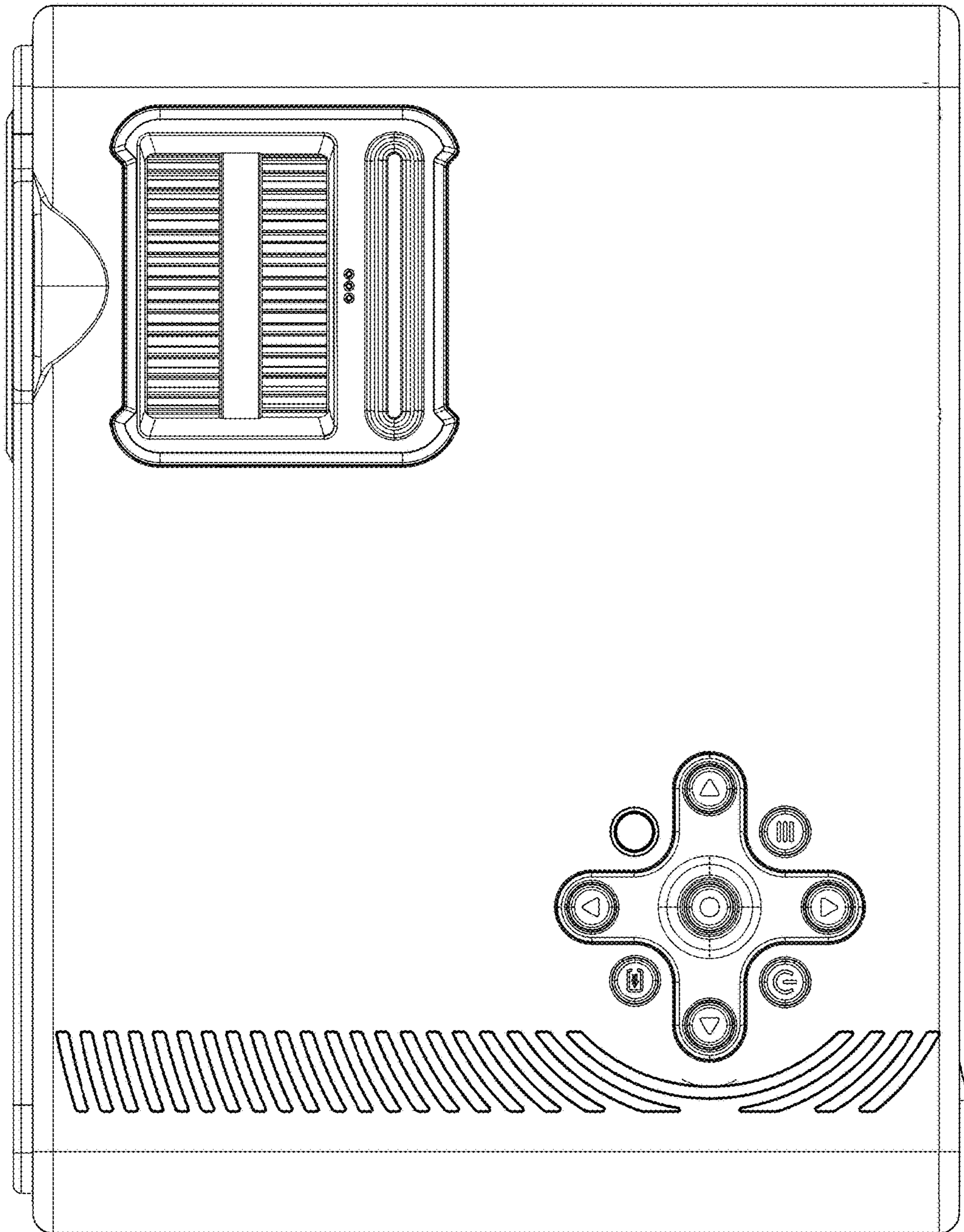


Fig. 1

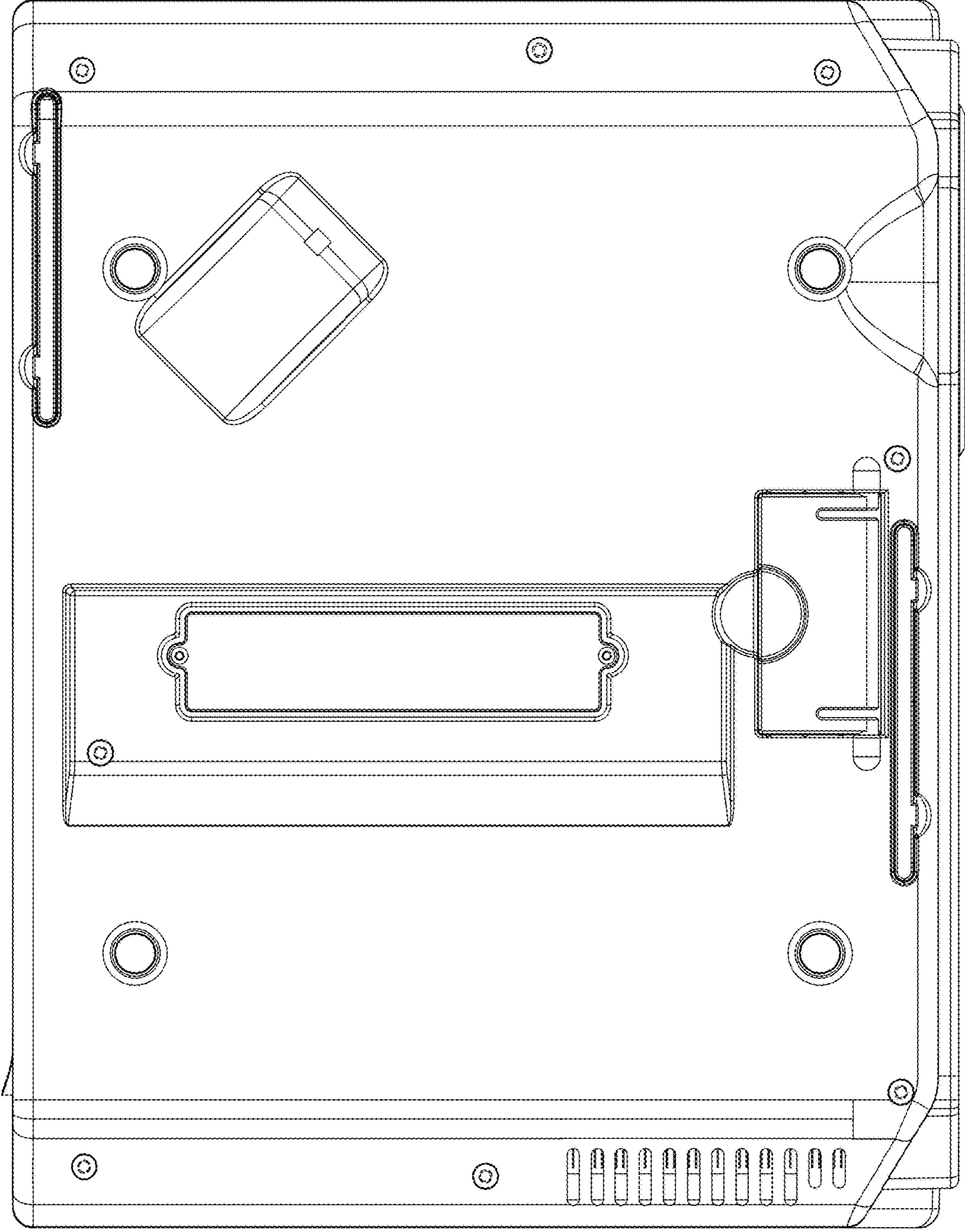


Fig. 2

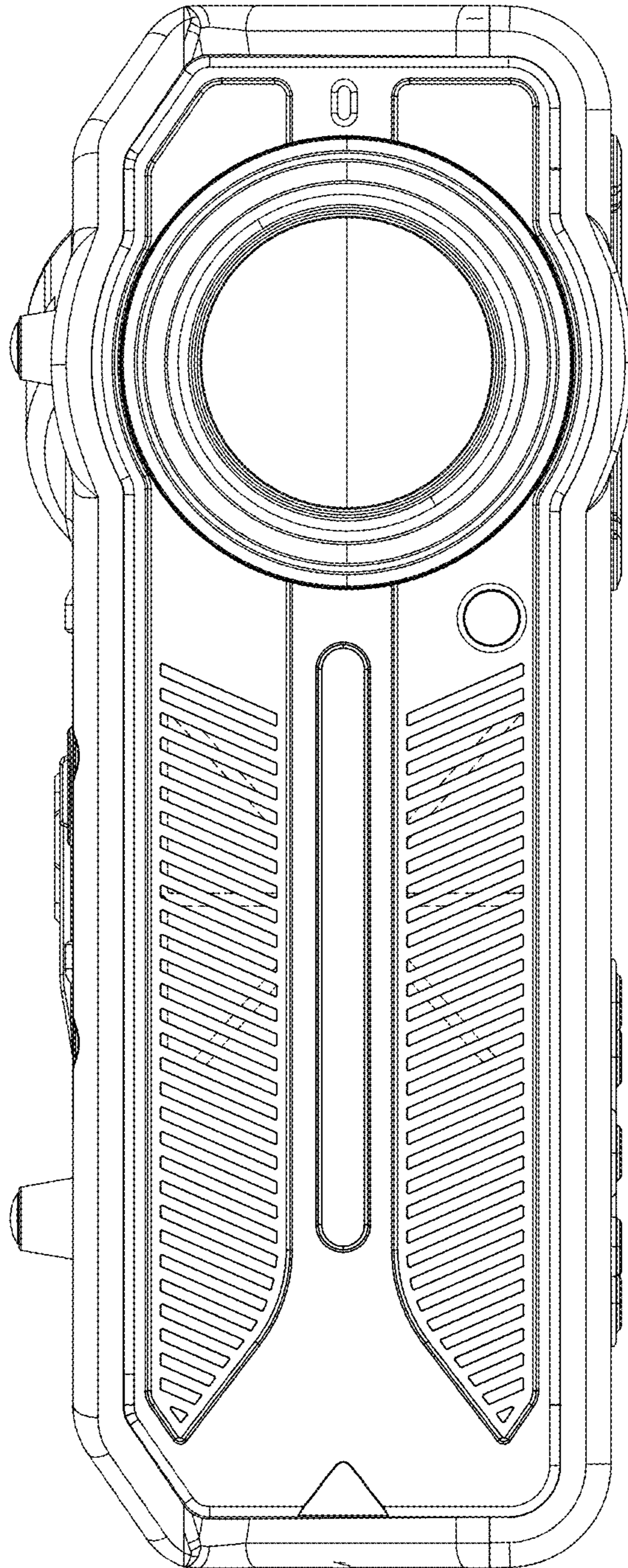


Fig. 3

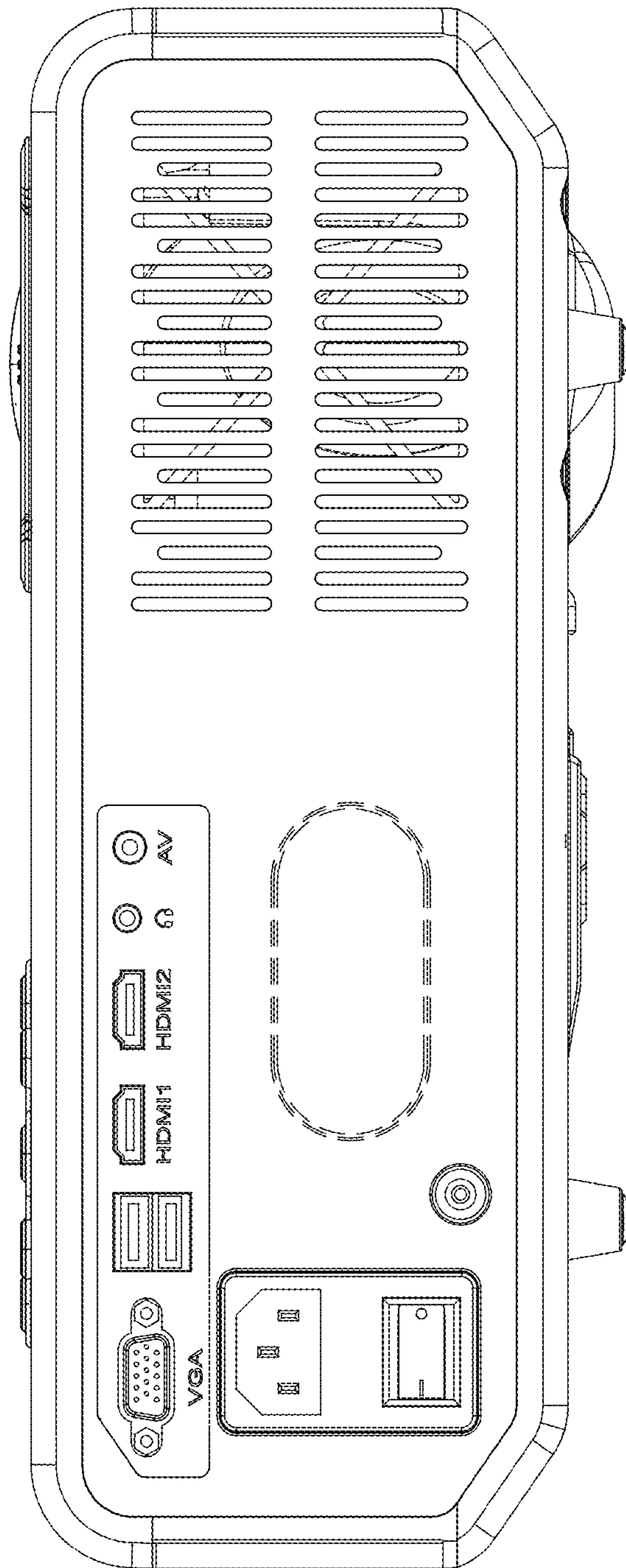


Fig. 4

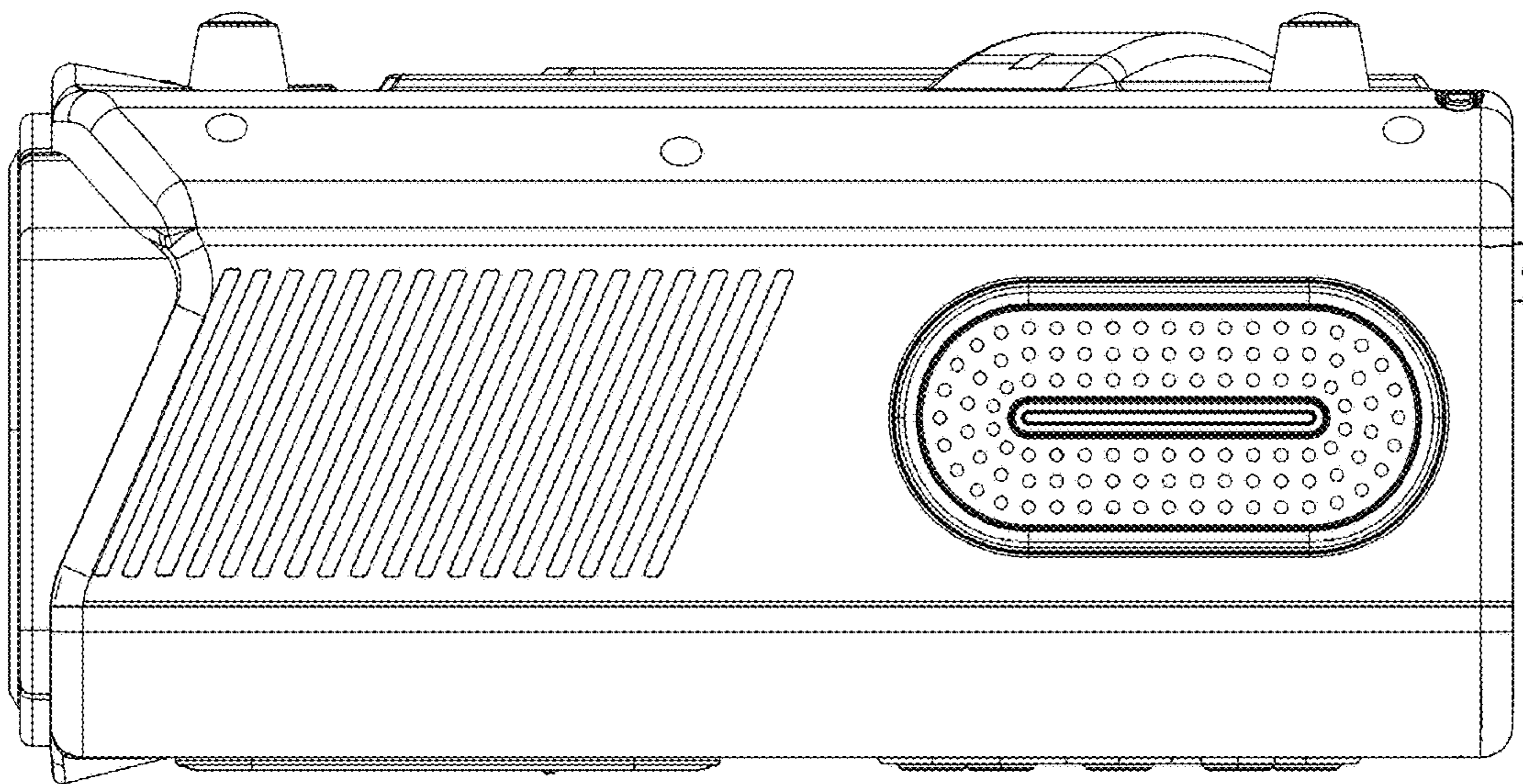


Fig. 5

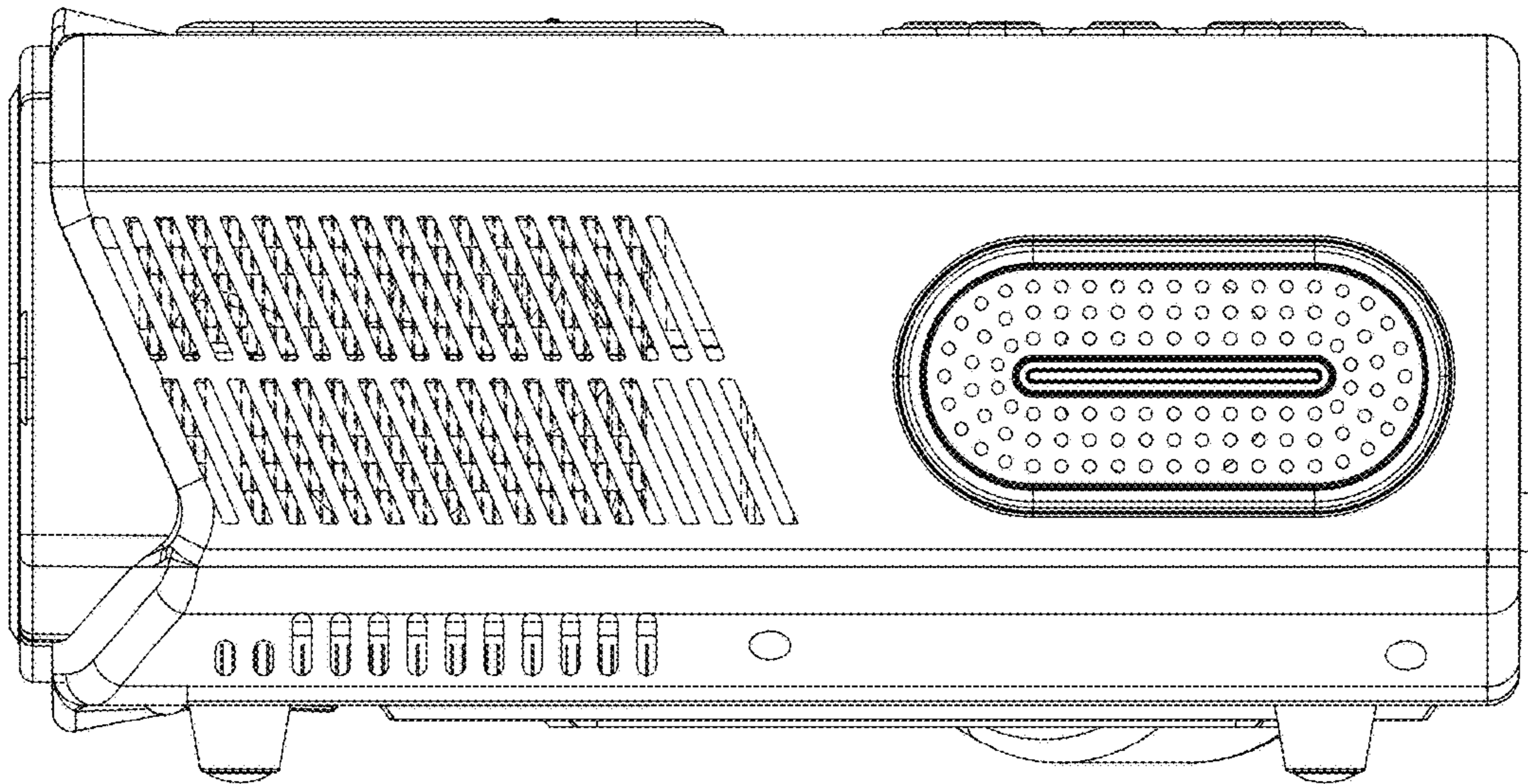


Fig. 6

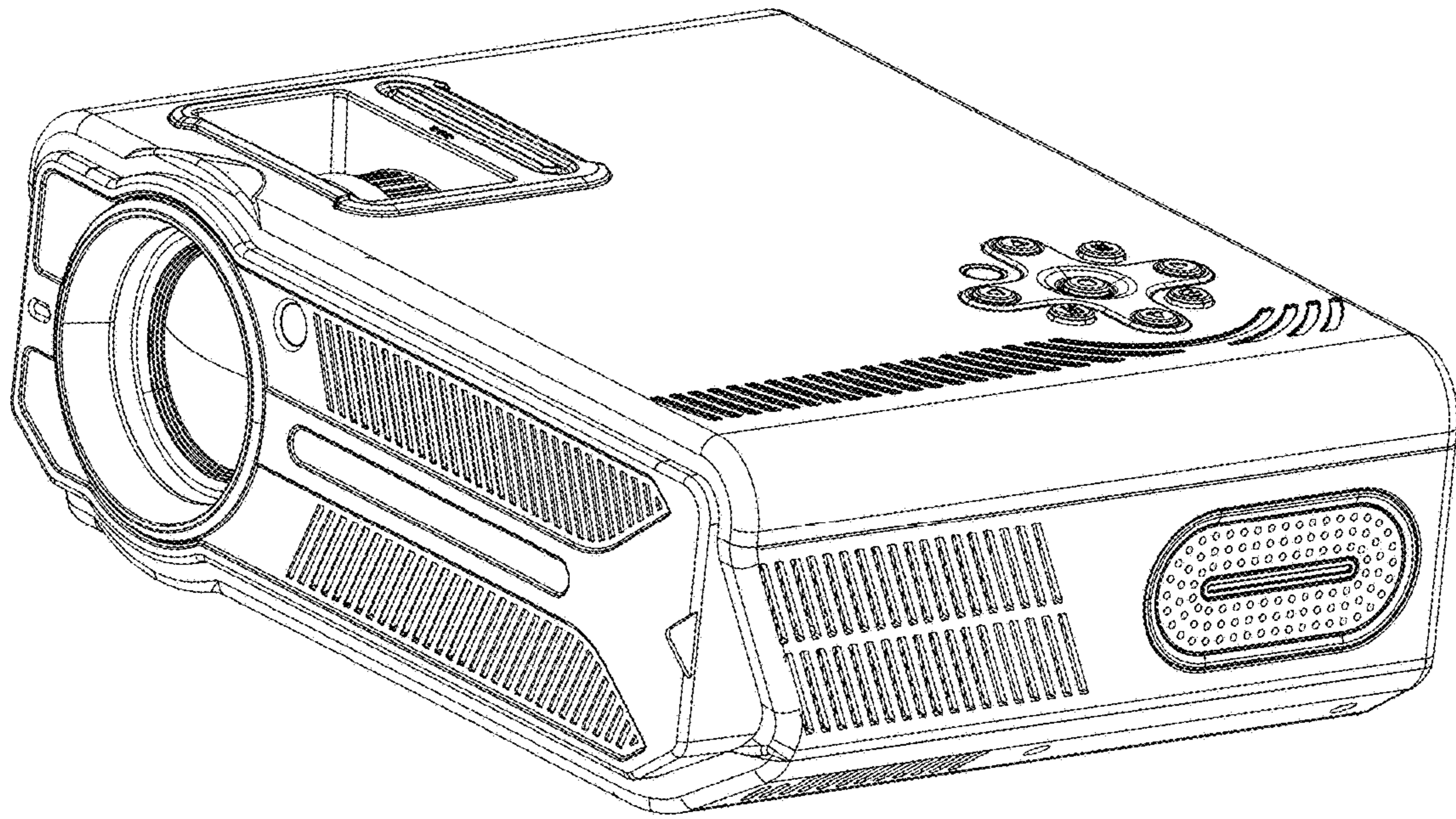


Fig. 7

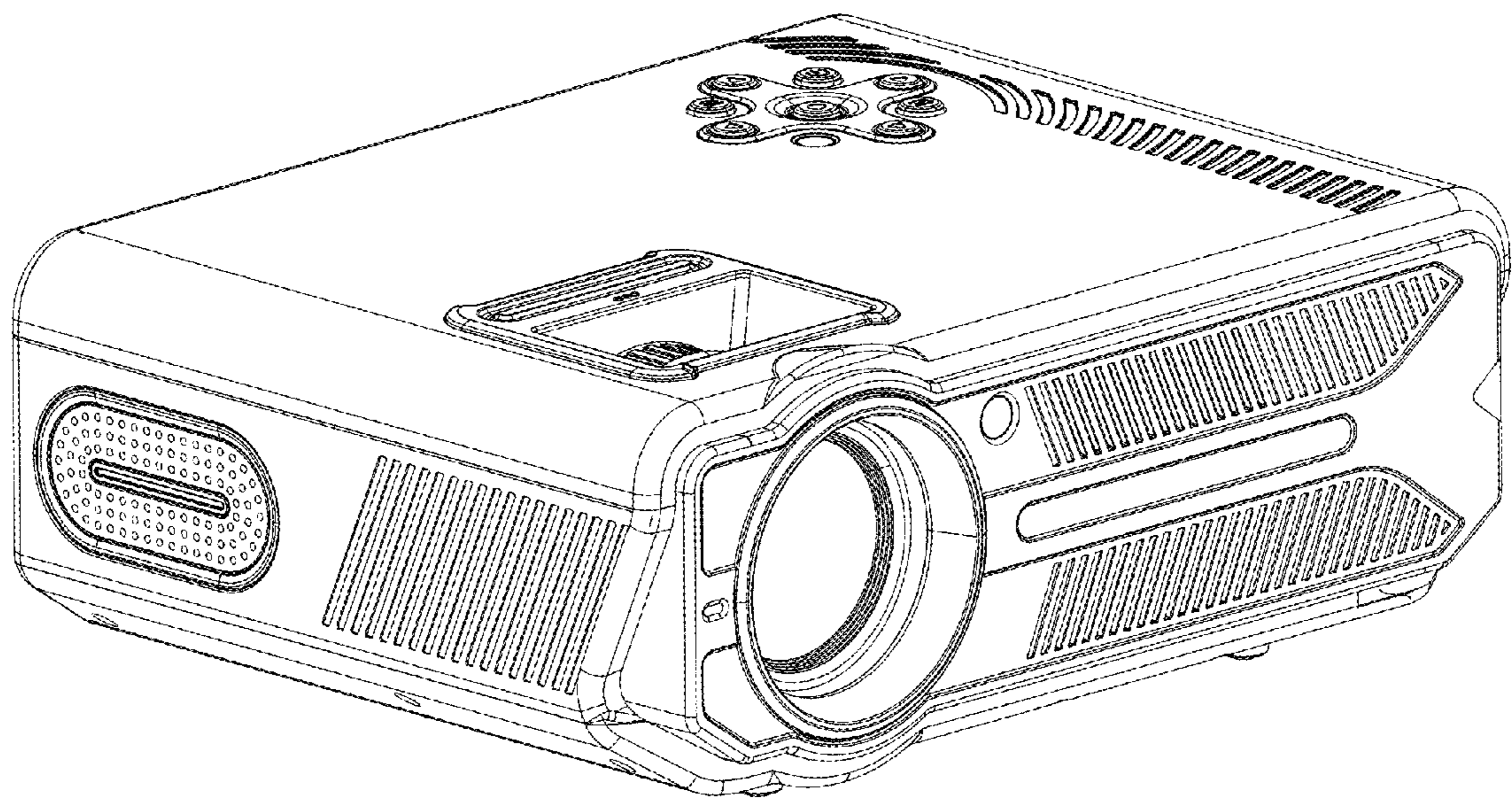


Fig. 8

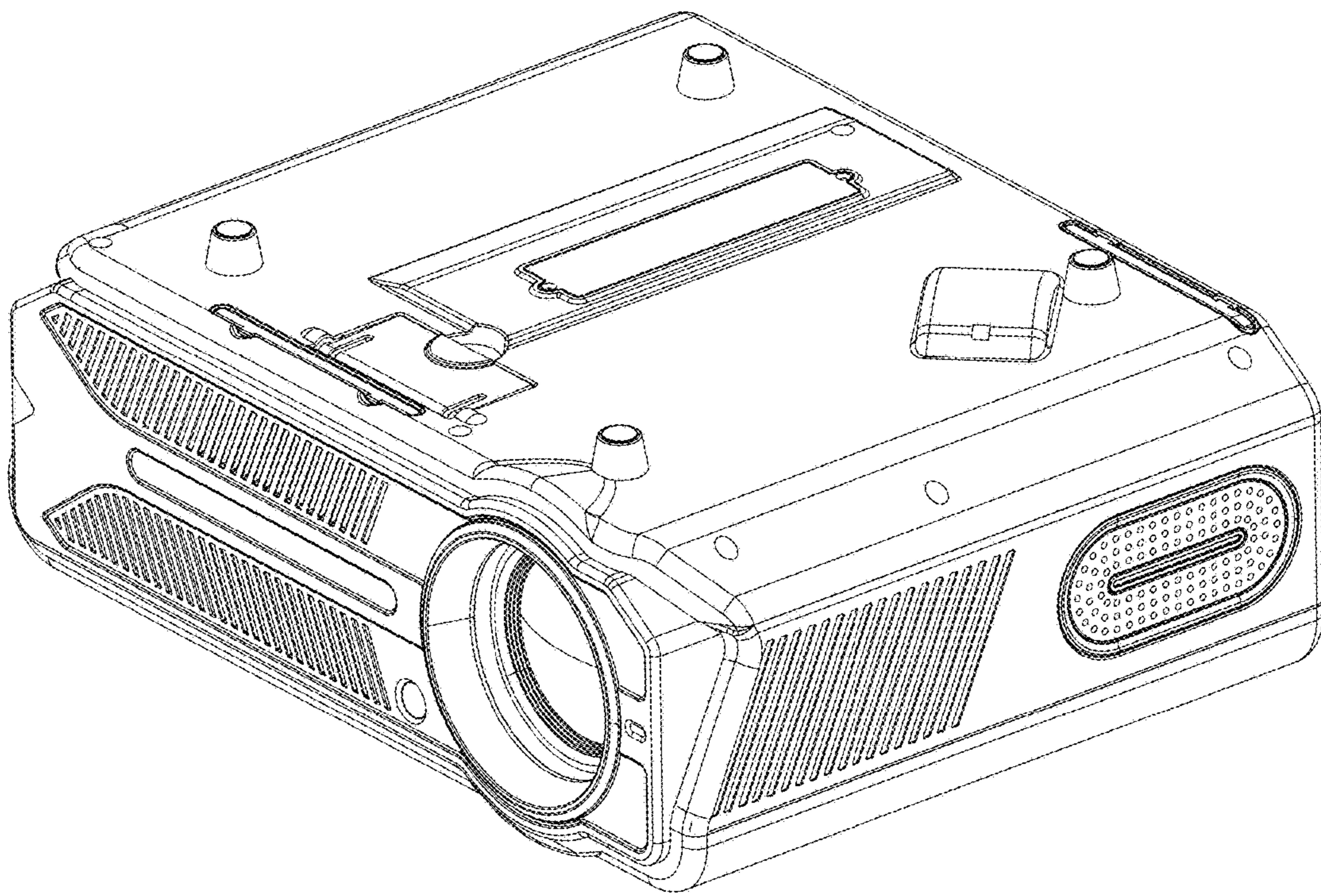


Fig. 9