



US00D831723S

(12) **United States Design Patent**  
**Kamei**

(10) **Patent No.:** **US D831,723 S**

(45) **Date of Patent:** **\*\* Oct. 23, 2018**

(54) **ELECTRONIC CAMERA**

(71) Applicant: **FUJIFILM Corporation**, Tokyo (JP)

(72) Inventor: **Keita Kamei**, Tokyo (JP)

(73) Assignee: **FUJIFILM Corporation**, Tokyo (JP)

(\*\*) Term: **15 Years**

(21) Appl. No.: **29/571,788**

(22) Filed: **Jul. 21, 2016**

(30) **Foreign Application Priority Data**

Jan. 22, 2016 (JP) ..... 2016-001228  
Jan. 22, 2016 (JP) ..... 2016-001229

(51) **LOC (11) Cl.** ..... **16-01**

(52) **U.S. Cl.**  
USPC ..... **D16/202; D16/200**

(58) **Field of Classification Search**  
USPC ..... D16/200–220, 239, 235, 242, 250, 310,  
D16/136; D14/251, 138 C, 302, 129,  
D14/130, 496; D26/28, 36, 37, 46, 39;  
D29/104; D10/104.1, 50, 65, 74  
CPC ... G02B 7/02; G02B 7/04; G02B 7/14; G03B  
17/00; G03B 17/14  
See application file for complete search history.

(56) **References Cited**

**U.S. PATENT DOCUMENTS**

D384,684 S \* 10/1997 Hamamura ..... D16/209  
D534,564 S \* 1/2007 Tainaka ..... D16/202  
D560,700 S \* 1/2008 Naito ..... D16/202  
D604,348 S \* 11/2009 Inaba ..... D16/202  
D644,676 S \* 9/2011 Katayama ..... D16/202  
D648,765 S \* 11/2011 Tsukamoto ..... D16/202  
D660,897 S \* 5/2012 Imai ..... D16/202  
D702,752 S \* 4/2014 Sakai ..... D16/219

D706,331 S \* 6/2014 Sakai ..... D16/219  
D706,851 S \* 6/2014 Sakai ..... D16/202  
D717,353 S \* 11/2014 Kobayashi ..... D16/202  
D724,640 S \* 3/2015 Ikegame ..... D16/202  
D742,952 S \* 11/2015 Nakajima ..... D16/202

**FOREIGN PATENT DOCUMENTS**

EM 003303353-0001 \* 7/2016  
JP 1495673 S 4/2014

**OTHER PUBLICATIONS**

Fuji Guys—FinePix 90, announced Jan. 14, 2016 [online], [site visited Nov. 21, 2017], Available from Internet URL: <<https://www.youtube.com/watch?v=pIDoUQw1J4A>> at approximately 0:35.\*  
Fujifilm XP90 Review, announced Jan. 15, 2016 [online], [site visited Nov. 21, 2017], Available from Internet URL: <<http://cameradecision.com/review/Fujifilm-XP90>>.\*

(Continued)

*Primary Examiner* — Barbara Fox

*Assistant Examiner* — Mary C Ramirez

(74) *Attorney, Agent, or Firm* — Birch, Stewart, Kolasch & Birch, LLP

(57) **CLAIM**

The ornamental design for an electronic camera, as shown and described.

**DESCRIPTION**

FIG. 1 is a front view of an electronic camera showing our new design;

FIG. 2 is a rear view thereof;

FIG. 3 is a plan view thereof;

FIG. 4 is a bottom view thereof;

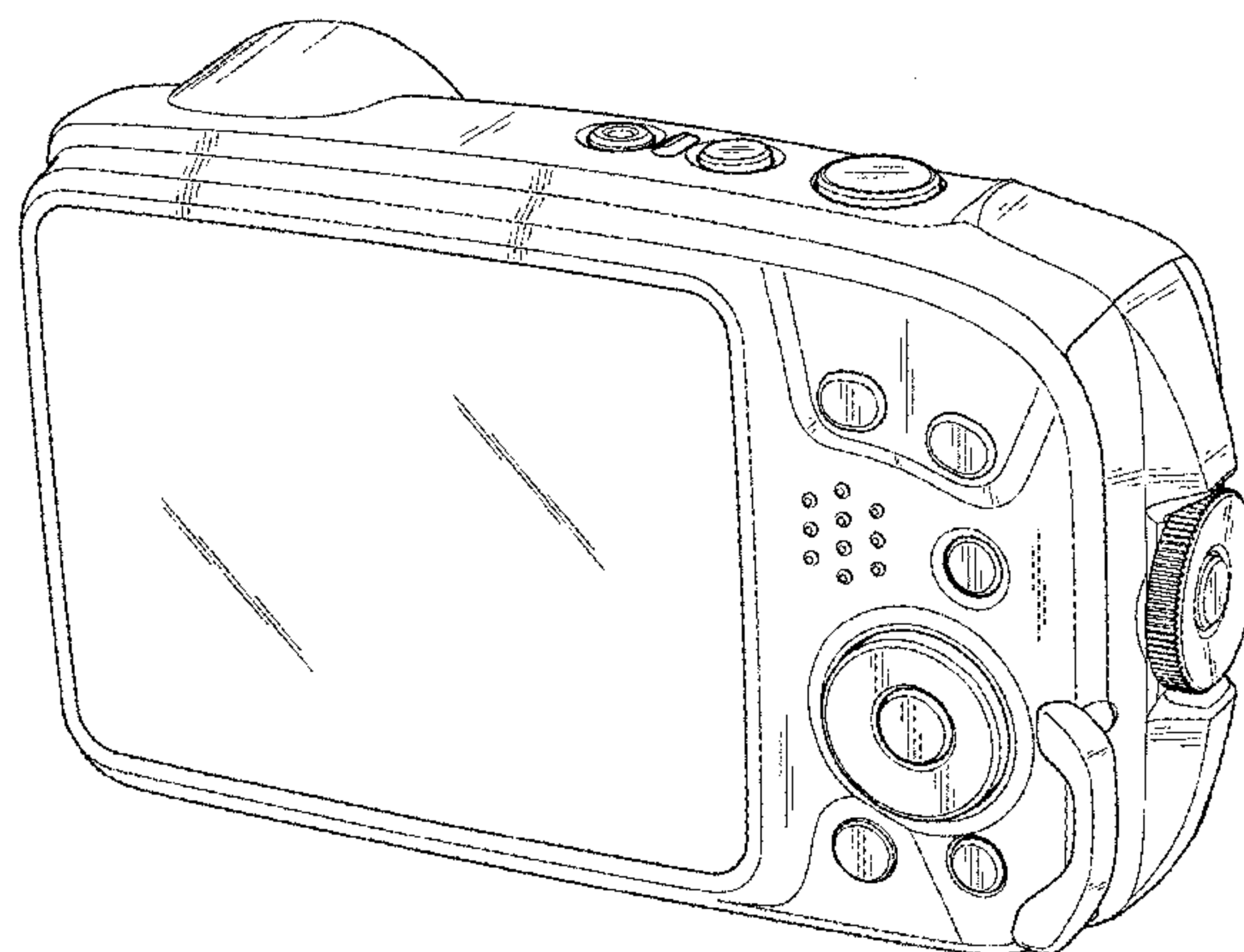
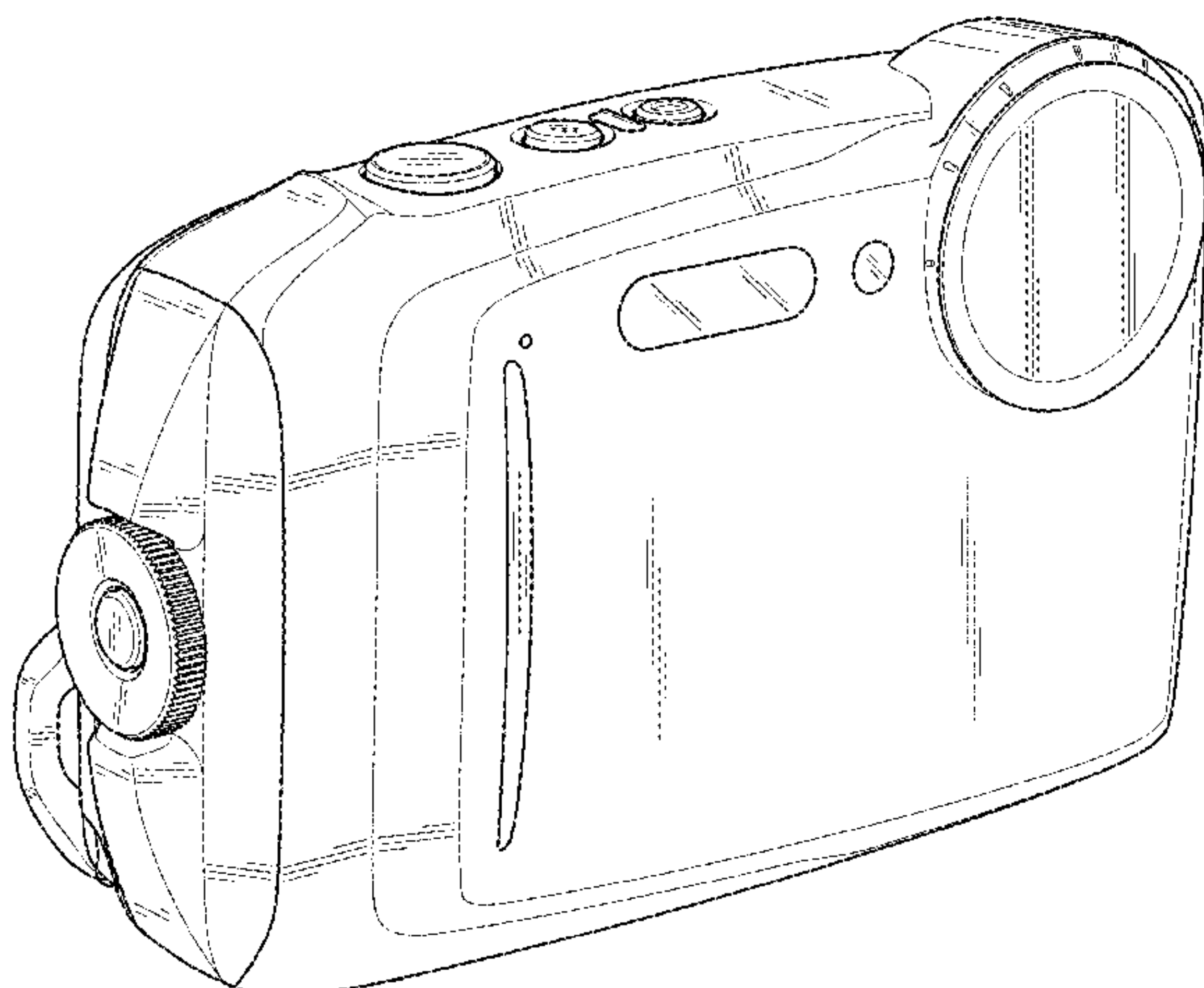
FIG. 5 is a right side view thereof;

FIG. 6 is a left side view thereof;

FIG. 7 is a front, left perspective view thereof; and,

FIG. 8 is a rear, left perspective thereof.

**1 Claim, 5 Drawing Sheets**



(56)

**References Cited**

OTHER PUBLICATIONS

The new FinePix XP90, announced Jan. 15, 2016 [online], [site visited Nov. 21, 2017], Available from Internet URL: [http://www.fujifilm.com/news/n160115\\_04.html](http://www.fujifilm.com/news/n160115_04.html).\*

Japanese Notification and partial English translation thereof, dated Jul. 22, 2016, for Japanese Application No. 2016-001228.

Fujifilm, “FinePix X90,” Feb. 17, 2016, pp. 1-4 (5 pages total), [http://www.fujifilm.co.jp/corporate/news/articleffnr\\_1037.html](http://www.fujifilm.co.jp/corporate/news/articleffnr_1037.html), with a partial English translation.

Fujifilm Corporation, “Compact, lightweight and rugged—the New FinePix XP90”, Jan. 15, 2016, total number of pages: 3, <URL: [http://www.fujifilm.com/news/n160115\\_04.html](http://www.fujifilm.com/news/n160115_04.html)>.

Fujifilm, Value from Innovation, “FinePix X90”, dated Feb. 17, 2016, 9 pages, <URL: [http://www.fujifilm.co.jp/corporate/news/articleffnr\\_1037.html](http://www.fujifilm.co.jp/corporate/news/articleffnr_1037.html) >.

\* cited by examiner

FIG.1

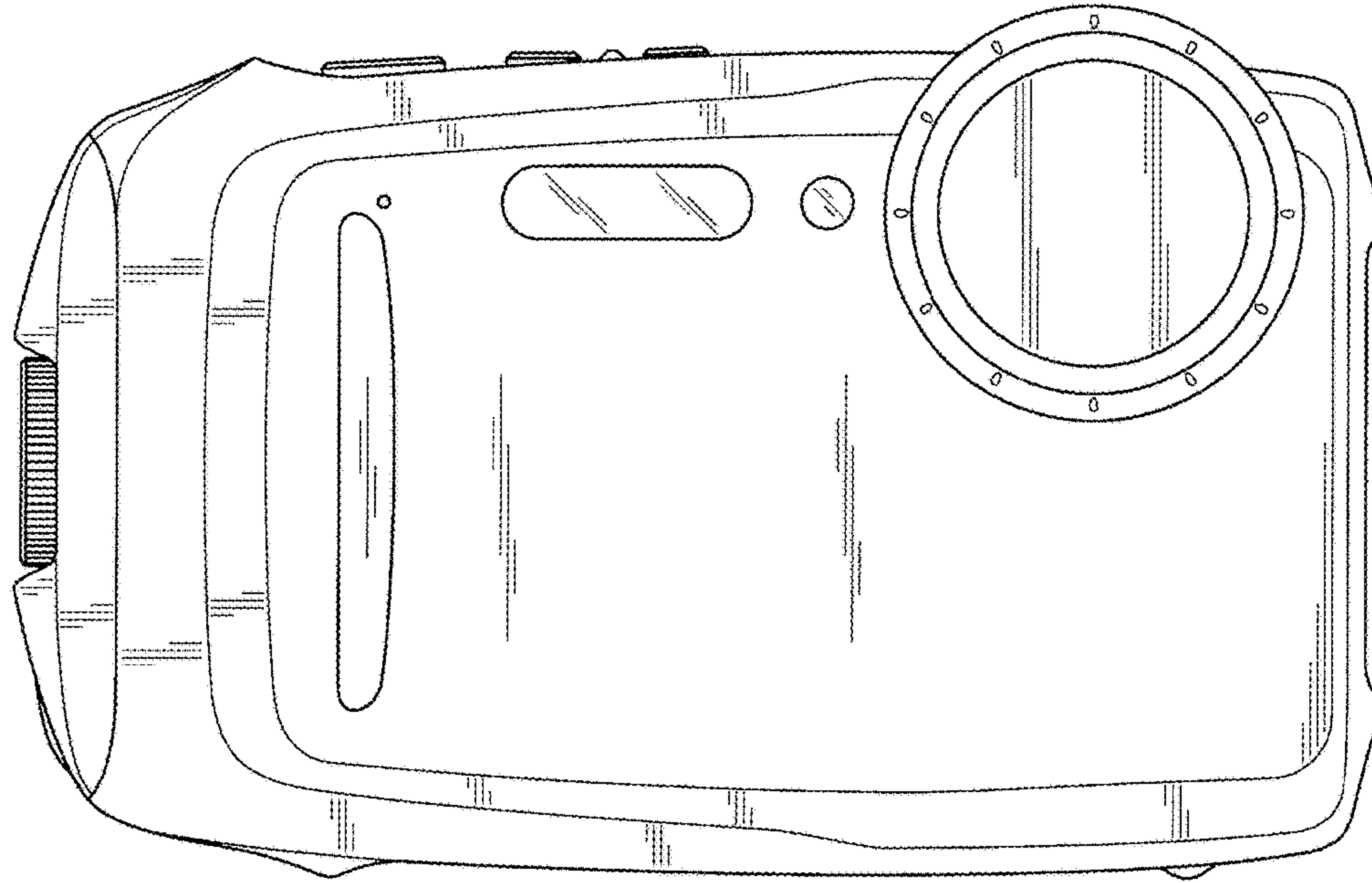
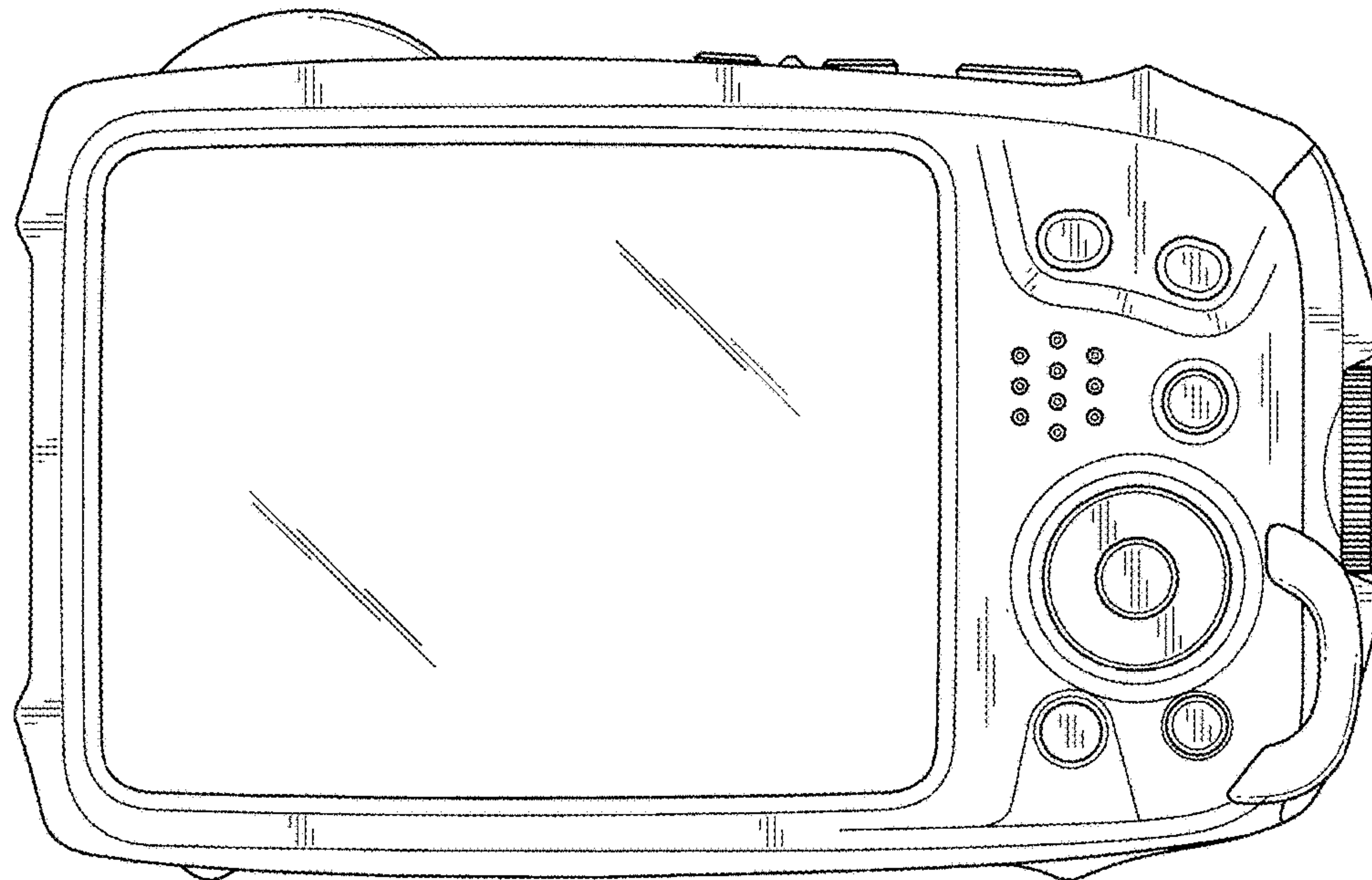
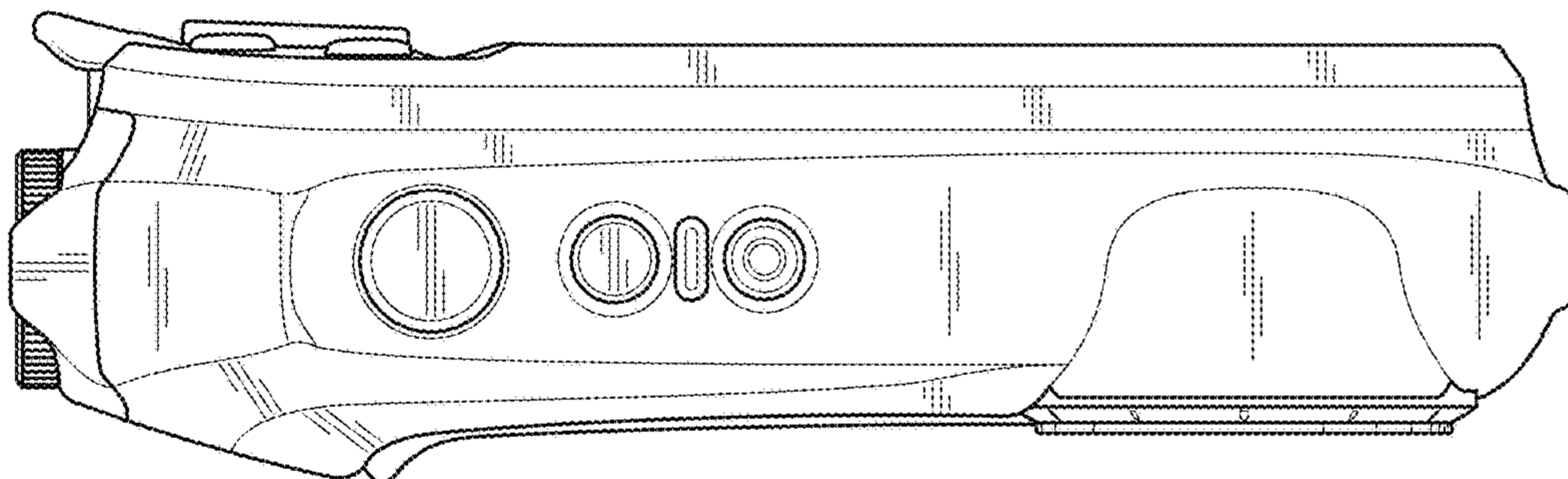


FIG.2

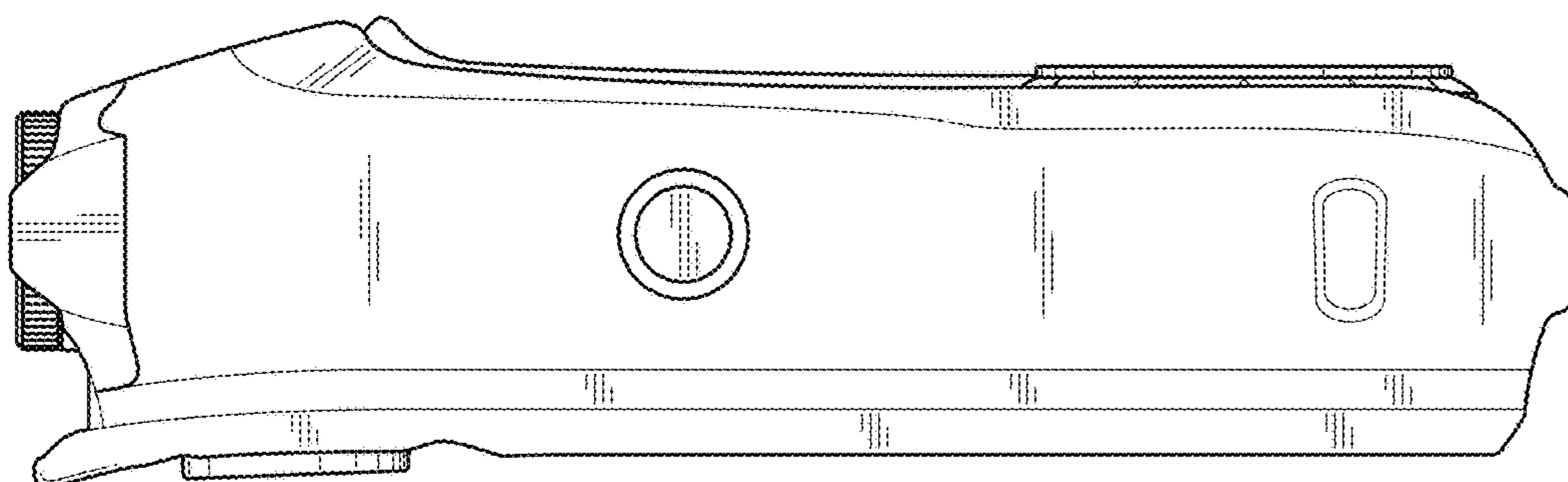




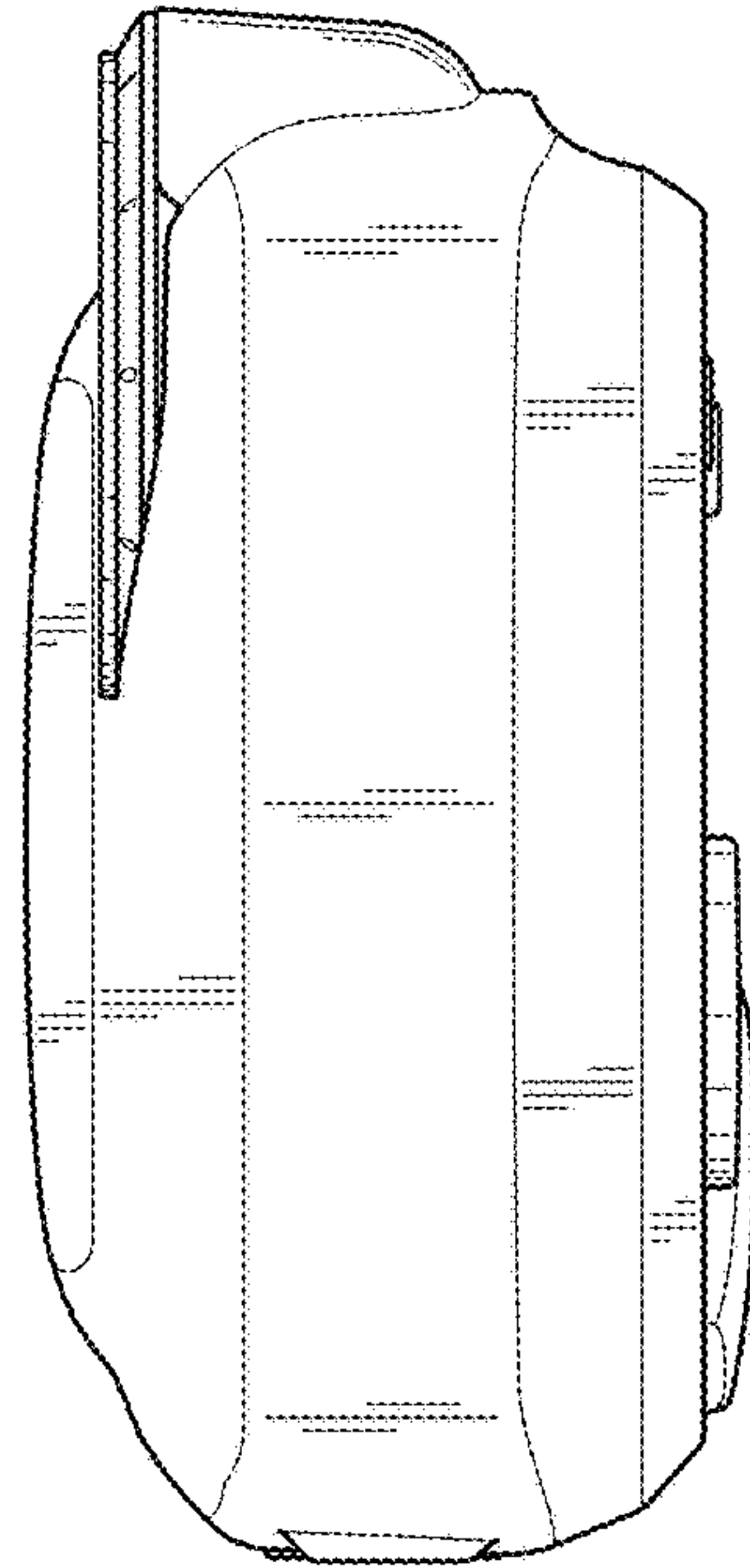
**FIG. 3**



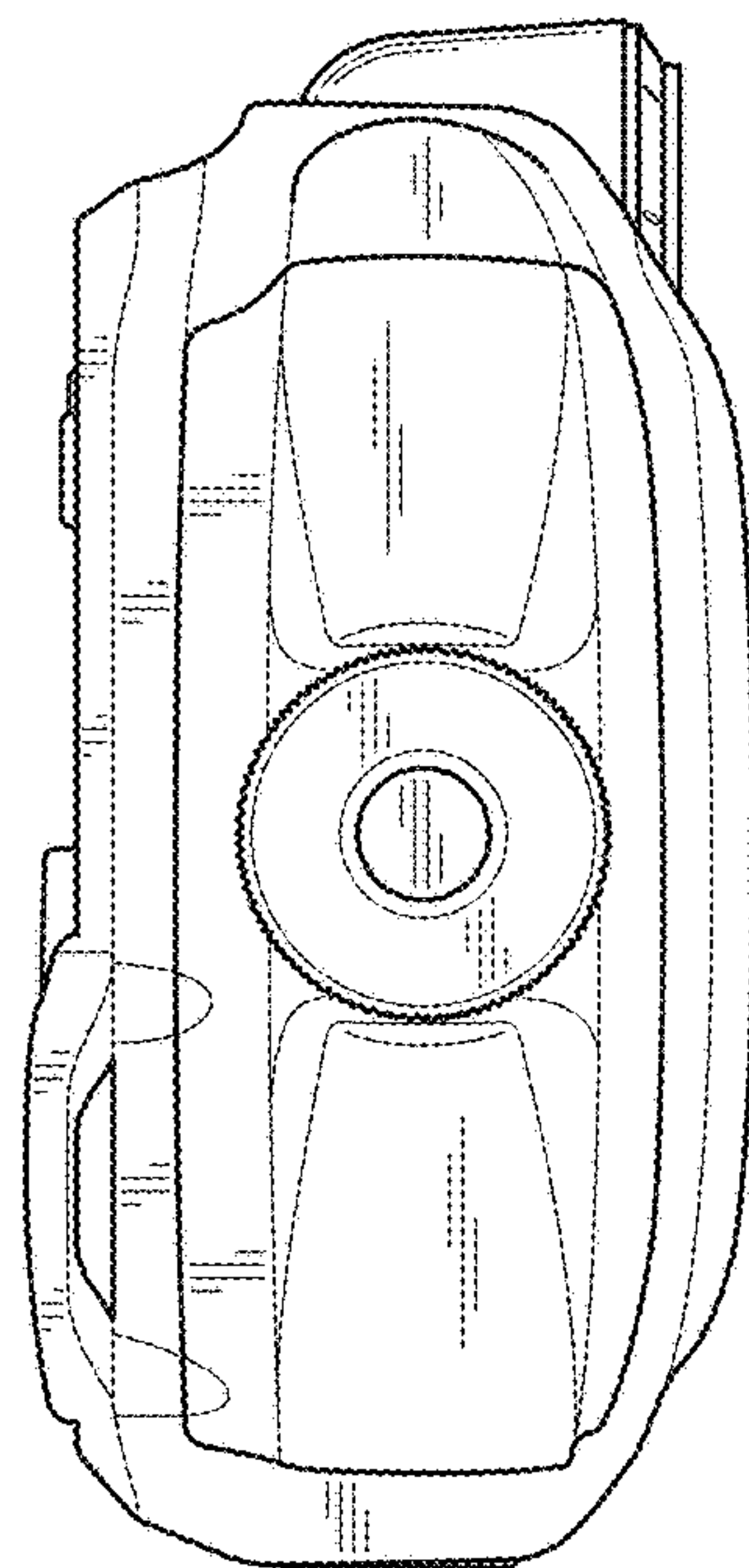
**FIG. 4**



**FIG. 5**



**FIG. 6**



**FIG. 7**

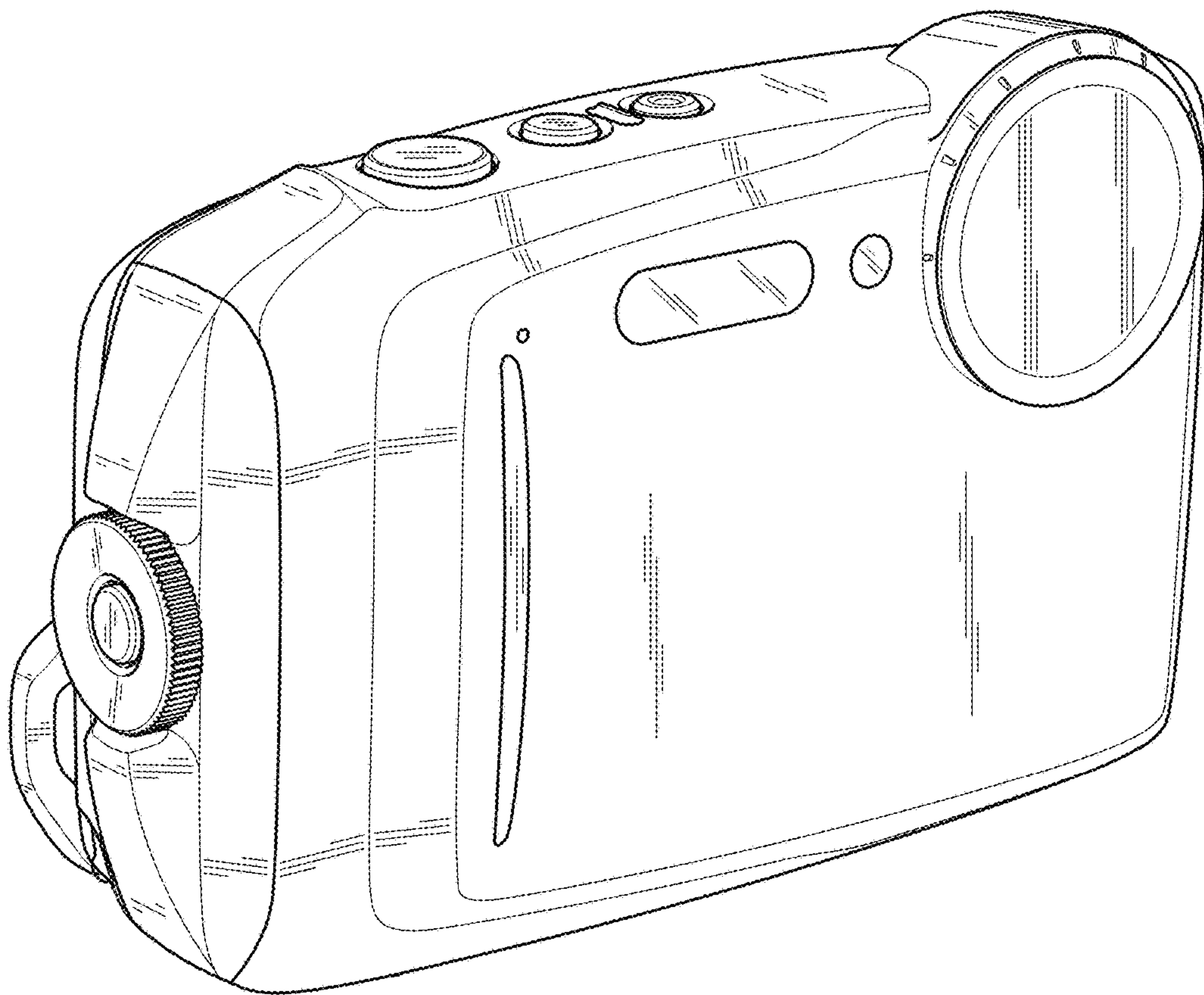


FIG.8

