



US00D831722S

(12) **United States Design Patent**  
**Arshad**

(10) **Patent No.:** **US D831,722 S**

(45) **Date of Patent:** **\*\* Oct. 23, 2018**

(54) **BINOCULAR**

(71) Applicant: **Muhammad Izhar Arshad**, Burbank,  
CA (US)

(72) Inventor: **Muhammad Izhar Arshad**, Burbank,  
CA (US)

(\*\*) Term: **15 Years**

(21) Appl. No.: **29/594,215**

(22) Filed: **Feb. 16, 2017**

(51) **LOC (11) Cl.** ..... **16-06**

(52) **U.S. Cl.**  
USPC ..... **D16/133**

(58) **Field of Classification Search**  
USPC ..... D16/130-136  
CPC .... G02B 2027/0123; G02B 2027/0132; G02B  
2027/0134; G02B 2027/26; G02B 7/06;  
G02B 7/12; G02B 23/001  
See application file for complete search history.

(56) **References Cited**

**U.S. PATENT DOCUMENTS**

D83,934 S *	4/1931	Trautmann	.....	D16/133
D265,207 S *	6/1982	Rosenfield	.....	D16/133
D306,869 S *	3/1990	Takahashi	.....	D16/133
5,028,123 A *	7/1991	Watanabe	.....	G02B 7/06 359/414
D376,165 S *	12/1996	Takahashi	.....	D16/133
5,938,155 A *	8/1999	Garland	.....	F16M 11/041 248/177.1
D473,884 S *	4/2003	Hayamizu	.....	D16/133
D474,789 S *	5/2003	Matsushita	.....	D16/133
D478,340 S *	8/2003	Hayamizu	.....	D16/133

D479,256 S *	9/2003	Matsushita	.....	D16/133
D602,059 S *	10/2009	Inaba	.....	D16/133
D700,643 S	3/2014	Yokoi		
D716,859 S *	11/2014	Nakajima	.....	D16/133
D783,073 S *	4/2017	Radau	.....	D16/133

**FOREIGN PATENT DOCUMENTS**

CN	01304104	*	6/2001
CN	201430427653	*	11/2014

\* cited by examiner

*Primary Examiner* — Karen S Acker

*Assistant Examiner* — Omeed Agilee

(74) *Attorney, Agent, or Firm* — Dunlap Bennett &  
Ludwig PLLC; Brendan E. Squire

(57) **CLAIM**

The ornamental design for a binocular, as shown and described.

**DESCRIPTION**

FIG. 1 is a front perspective view of the binocular showing my new design;

FIG. 2 is a top plan view thereof;

FIG. 3 is a bottom plan view thereof;

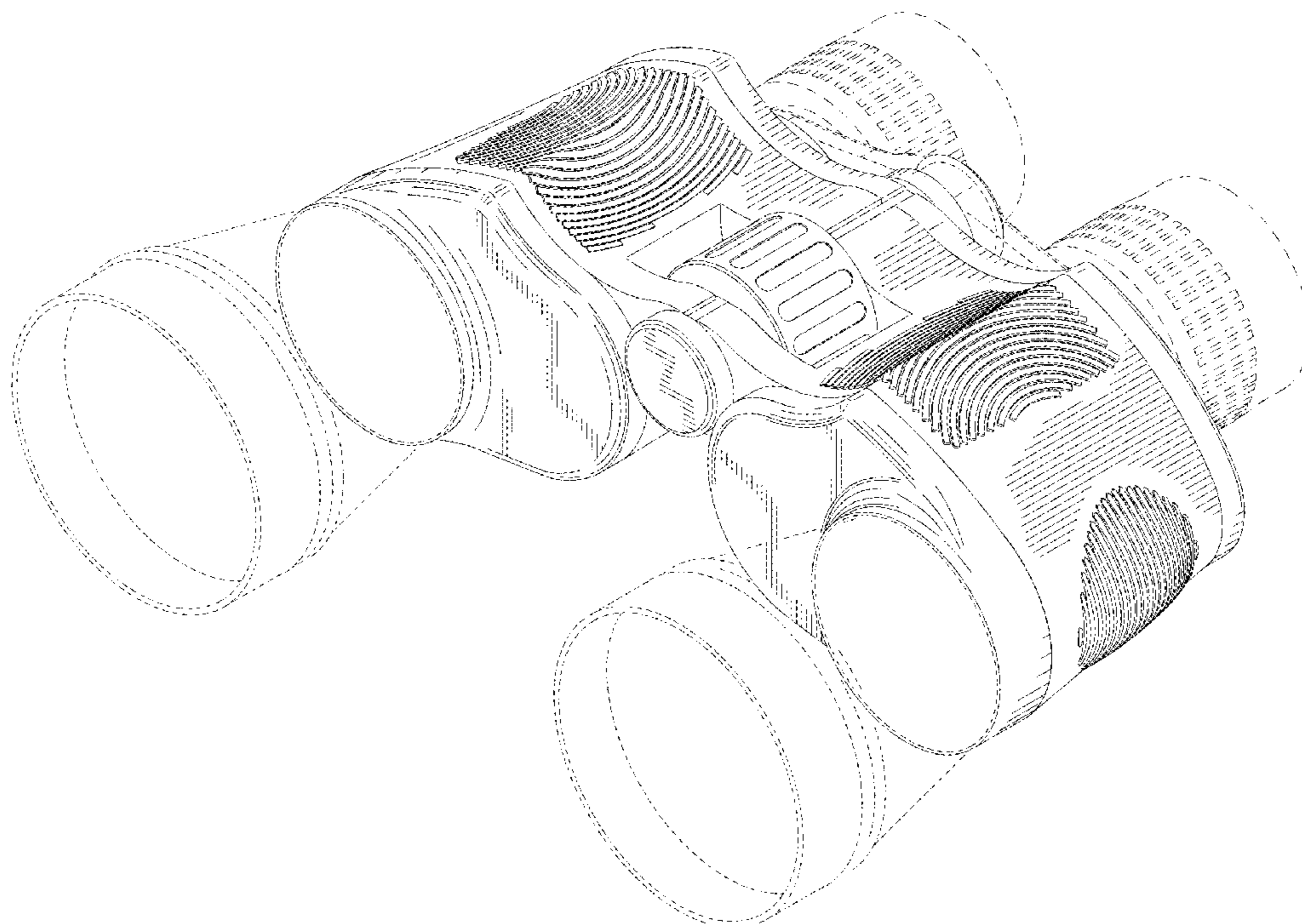
FIG. 4 is a front elevation view thereof;

FIG. 5 is a rear elevation view thereof; and,

FIG. 6 is a right side view thereof; the left side being a mirror image thereof.

The broken lines shown in the drawings illustrate portions of the binocular that form no part of the claimed design.

**1 Claim, 5 Drawing Sheets**



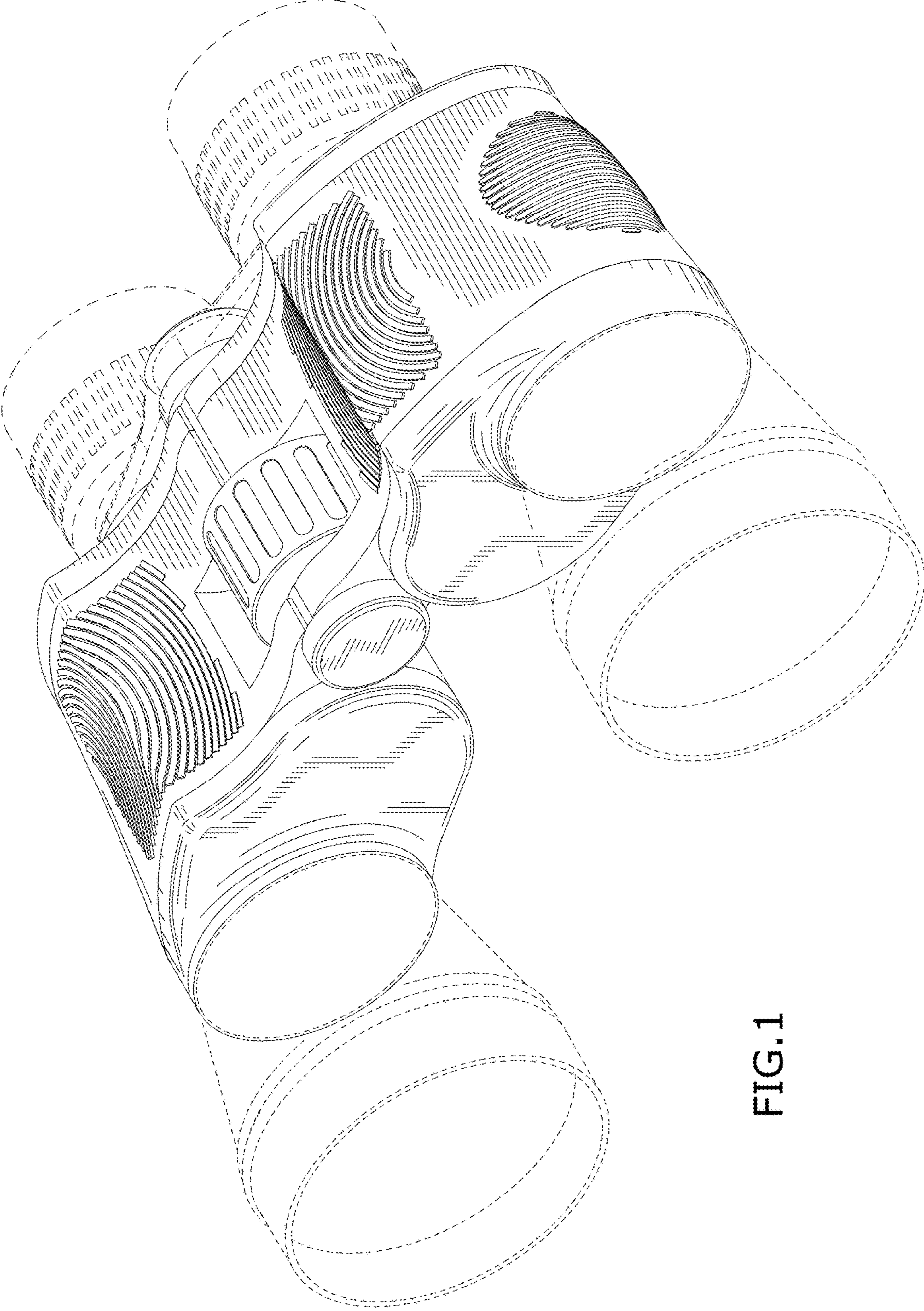


FIG.1

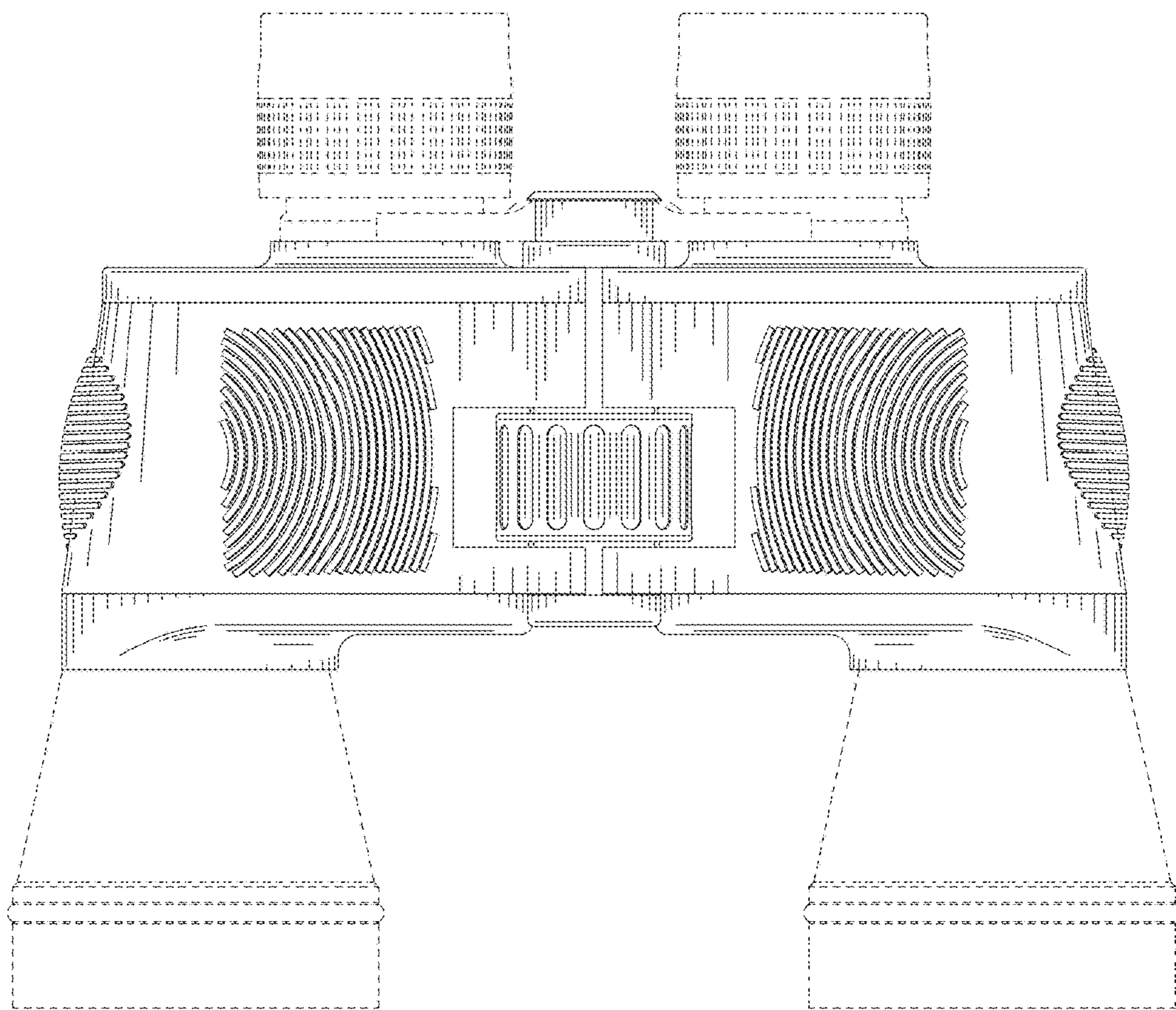


FIG.2

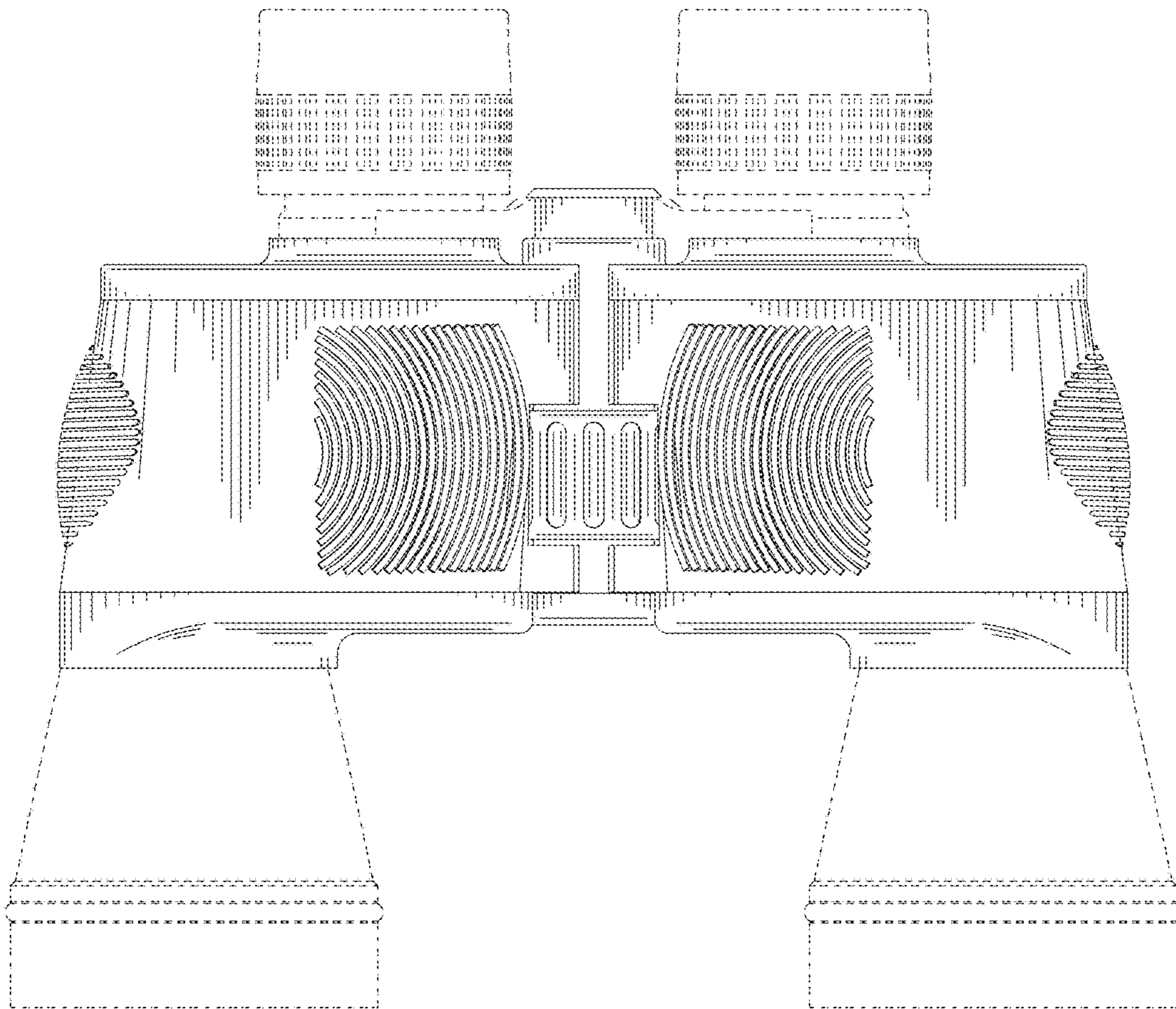


FIG.3

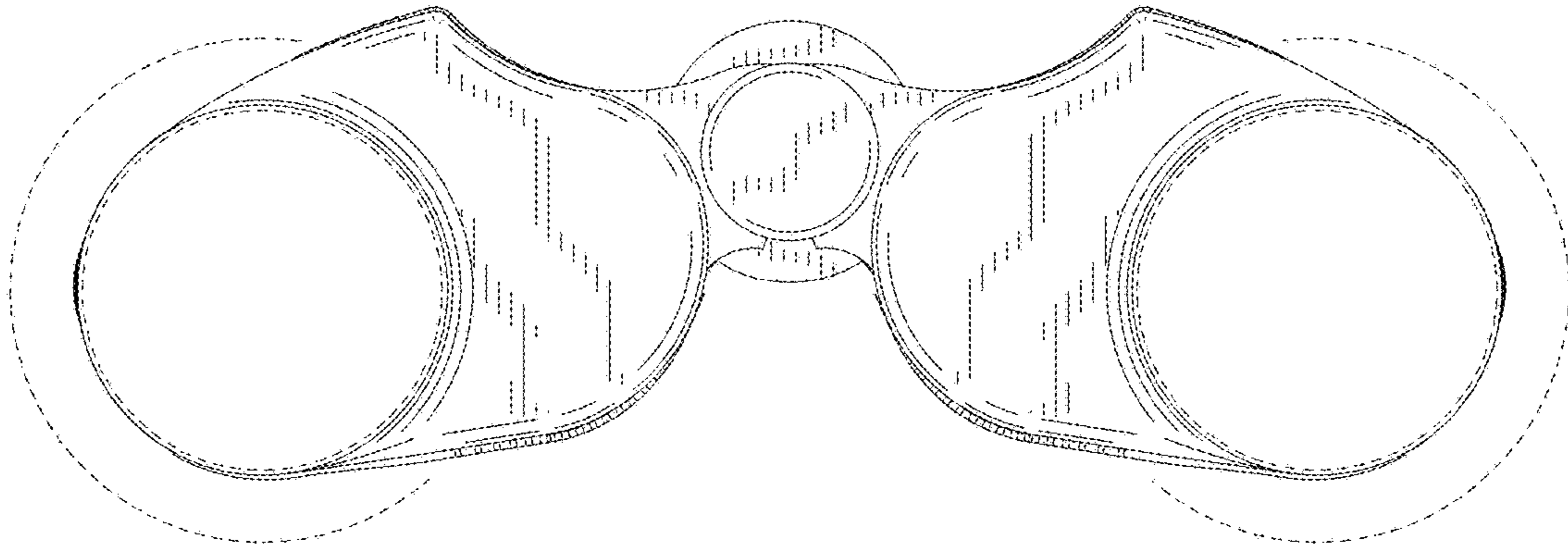


FIG. 4

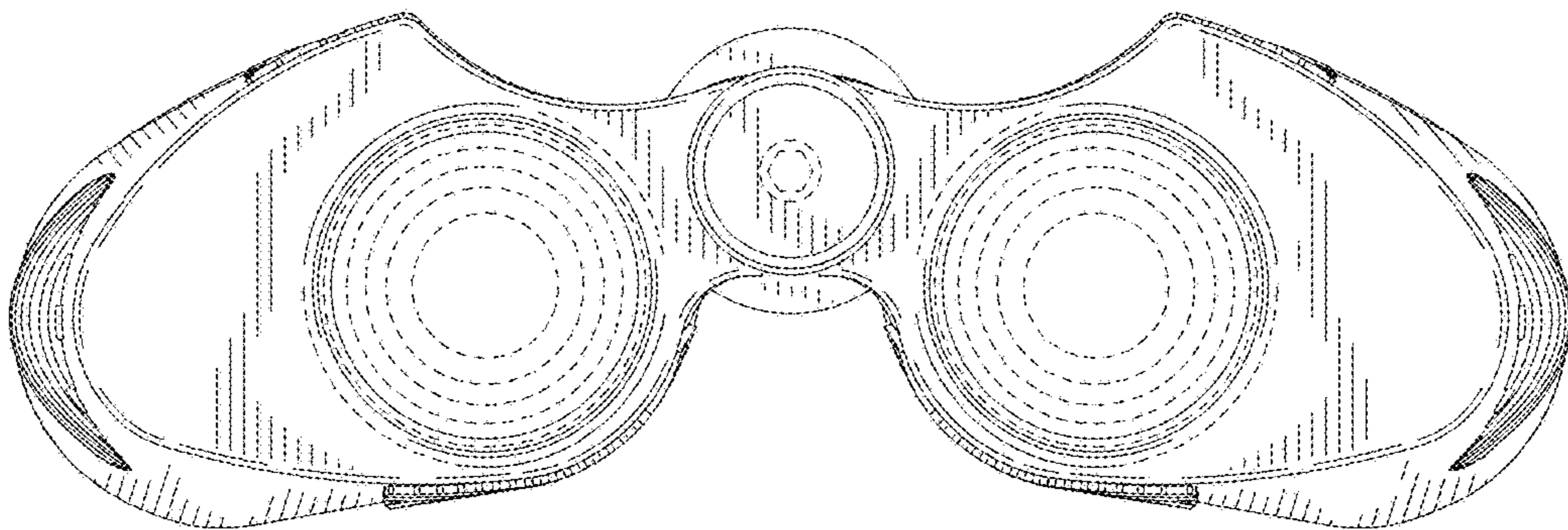


FIG. 5

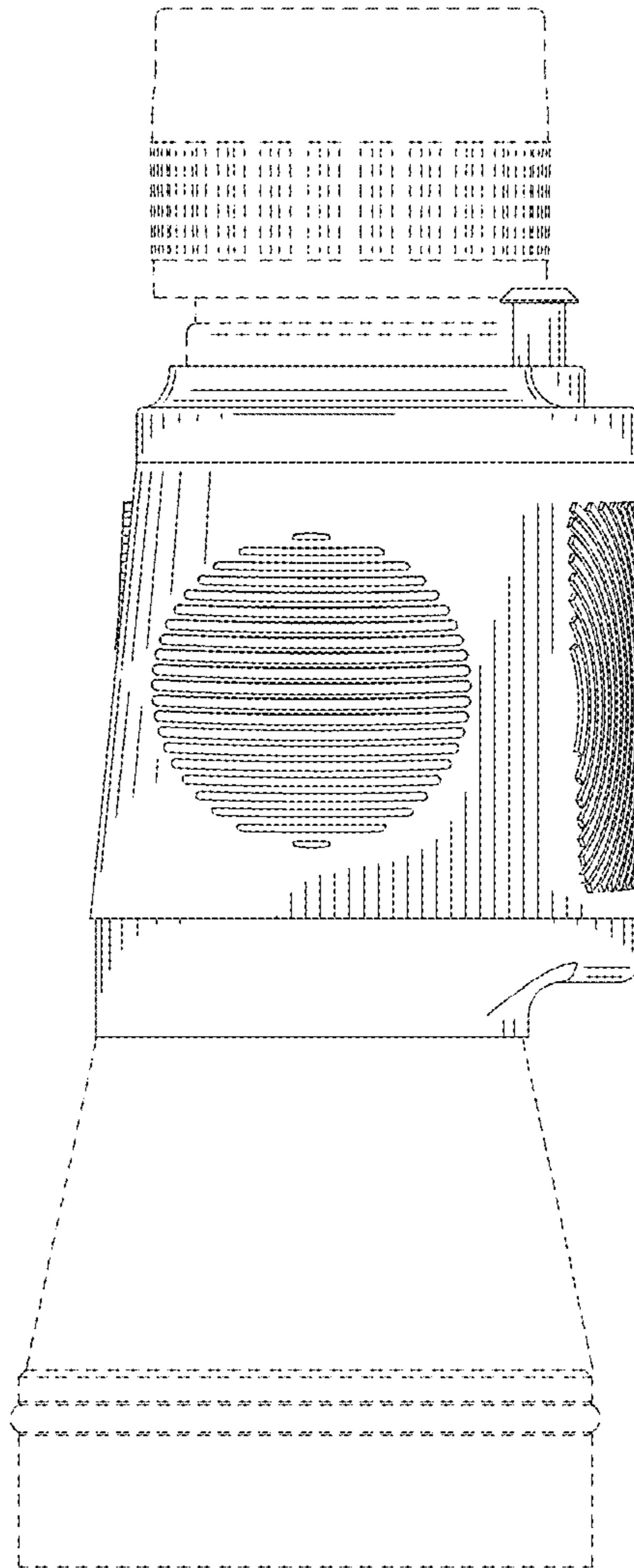


FIG. 6