



US00D831721S

(12) **United States Design Patent**
Norman

(10) **Patent No.:** **US D831,721 S**
(45) **Date of Patent:** **** Oct. 23, 2018**

- (54) **CLIP ON MICROSCOPE FOR A MOBILE COMPUTING DEVICE WITH CAMERA**
- (71) Applicant: **Penelope Anne Norman**, El Sobrante, CA (US)
- (72) Inventor: **Penelope Anne Norman**, El Sobrante, CA (US)
- (**) Term: **15 Years**
- (21) Appl. No.: **29/620,979**
- (22) Filed: **Sep. 21, 2017**
- (51) **LOC (11) Cl.** **16-06**
- (52) **U.S. Cl.**
USPC **D16/131; D8/395**
- (58) **Field of Classification Search**
USPC **D16/131, 132, 130, 242, 244, 245**
CPC **G02B 1/00; G02B 23/00**
See application file for complete search history.

- D301,586 S * 6/1989 Brock D16/131
- D472,484 S * 4/2003 Connolly D10/81
- D633,539 S * 3/2011 Kung D16/131
- D679,026 S * 3/2013 Akamatsu D16/131

* cited by examiner

Primary Examiner — John Windmuller
Assistant Examiner — Benjamin M Weeks
(74) *Attorney, Agent, or Firm* — Risto A. Rinne, Jr.

(57) **CLAIM**

The ornamental design for a clip-on microscope for a mobile computing device with camera, as shown and described.

DESCRIPTION

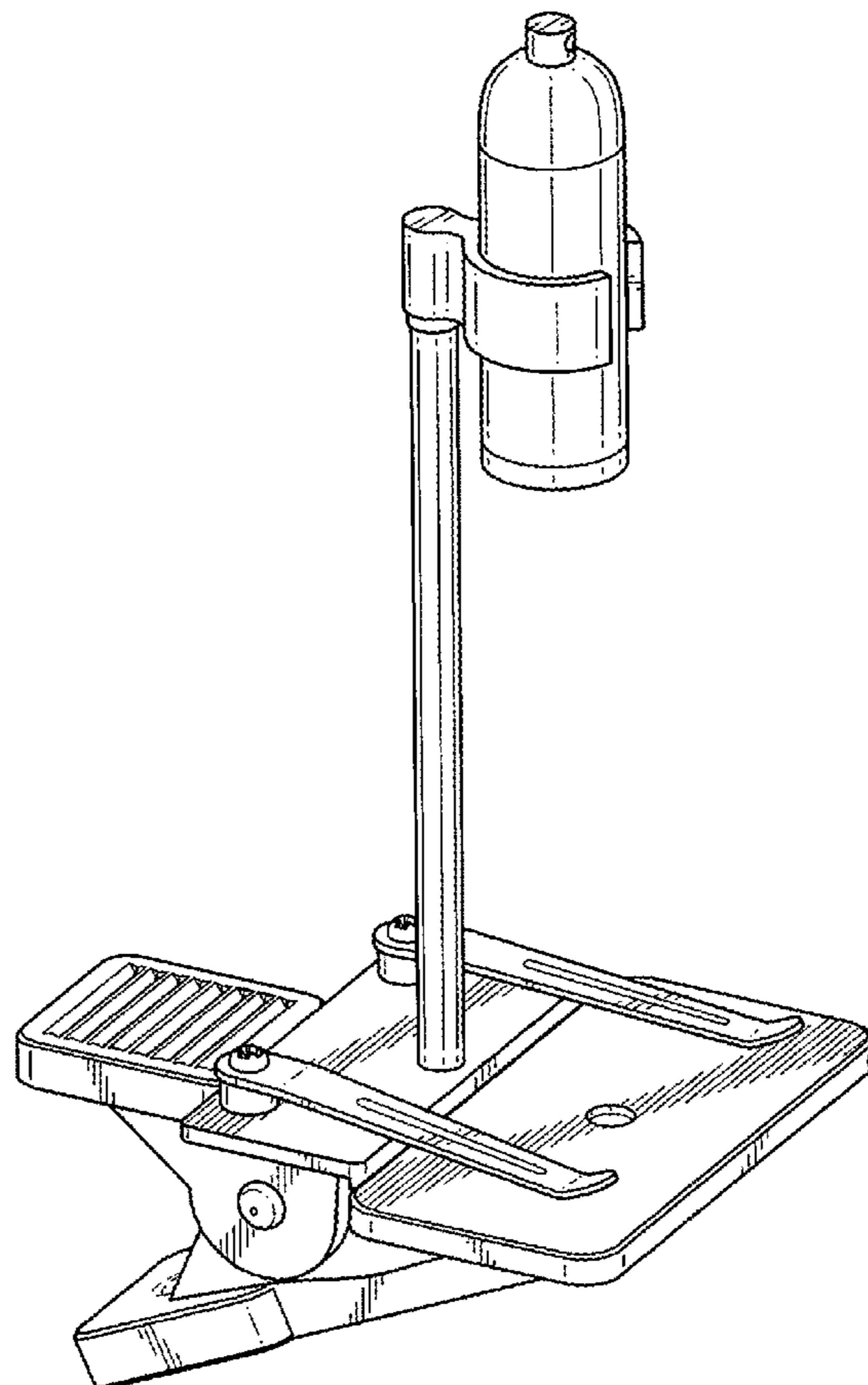
FIG. 1 is a perspective view of a clip-on microscope for a mobile computing device with camera showing my new design.
FIG. 2 is a front elevational view thereof;
FIG. 3 is a left side elevational view thereof; the right side being a mirror image, thereof;
FIG. 4 is a rear elevational view thereof;
FIG. 5 is a top plan view thereof; and,
FIG. 6 is a bottom plan view thereof.
The broken lines in the figures depict portions of the article that form no part of the claimed design.

1 Claim, 3 Drawing Sheets

(56) **References Cited**

U.S. PATENT DOCUMENTS

- D159,739 S * 8/1950 Lindemann D16/131
- D198,815 S * 8/1964 Patia D16/131



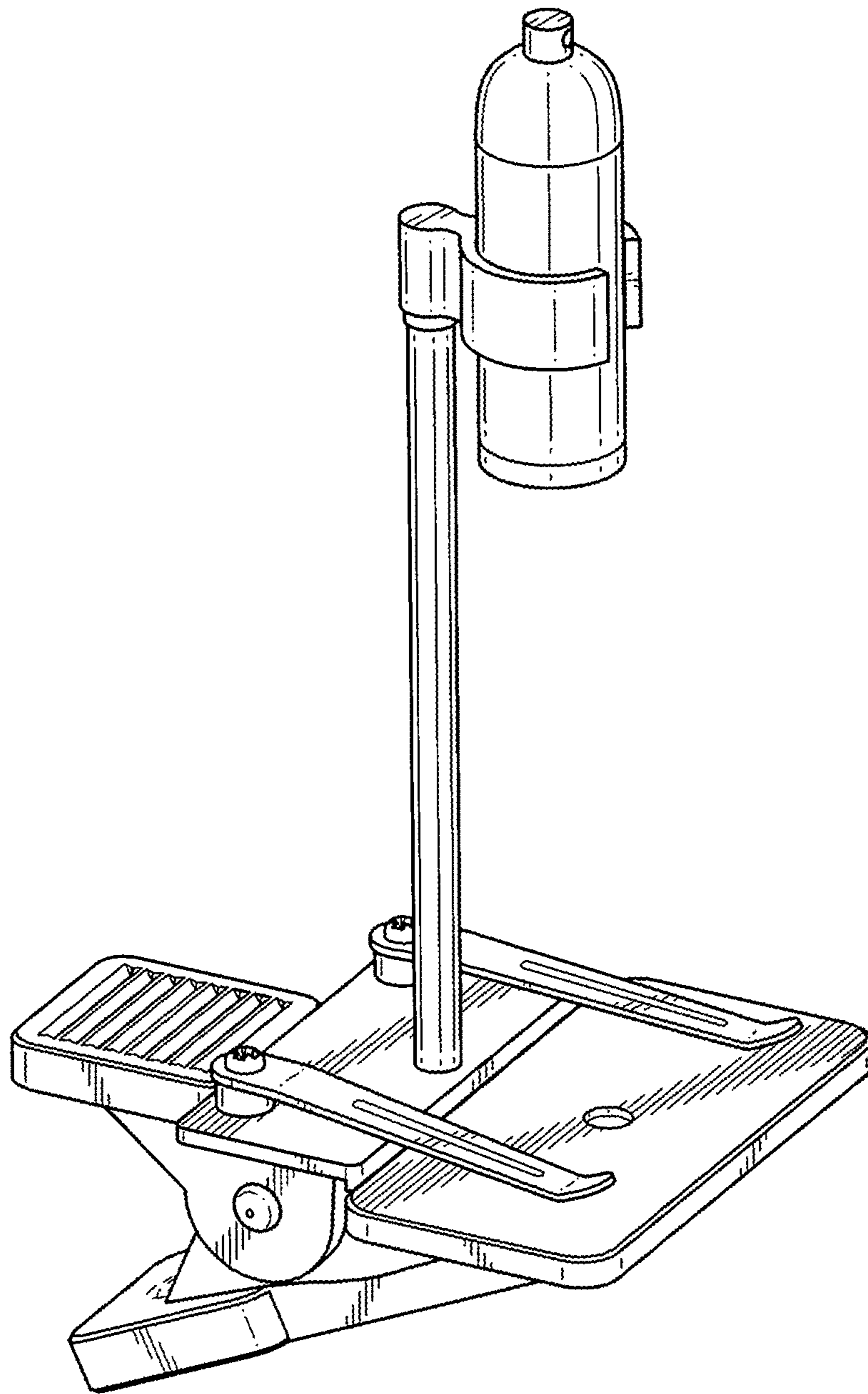


FIG. 1

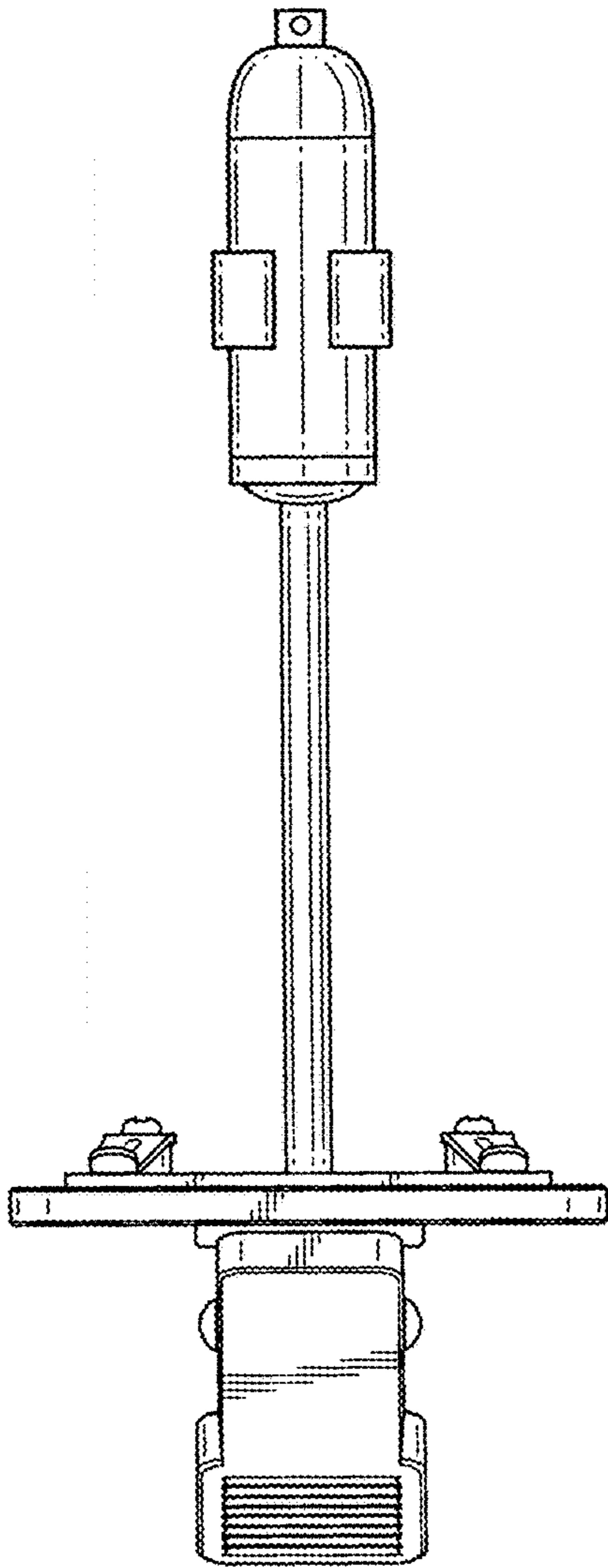


FIG. 2

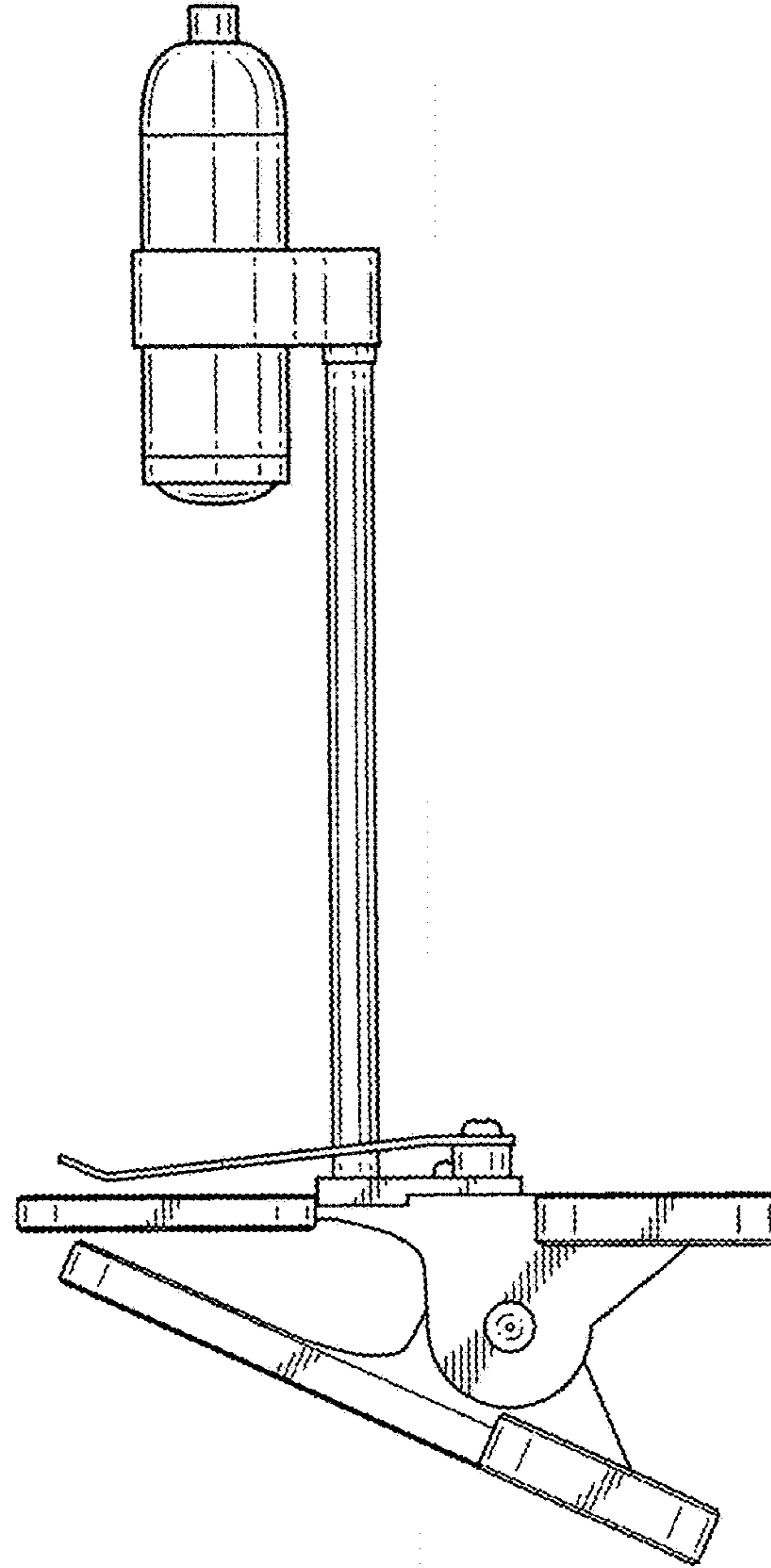


FIG. 3

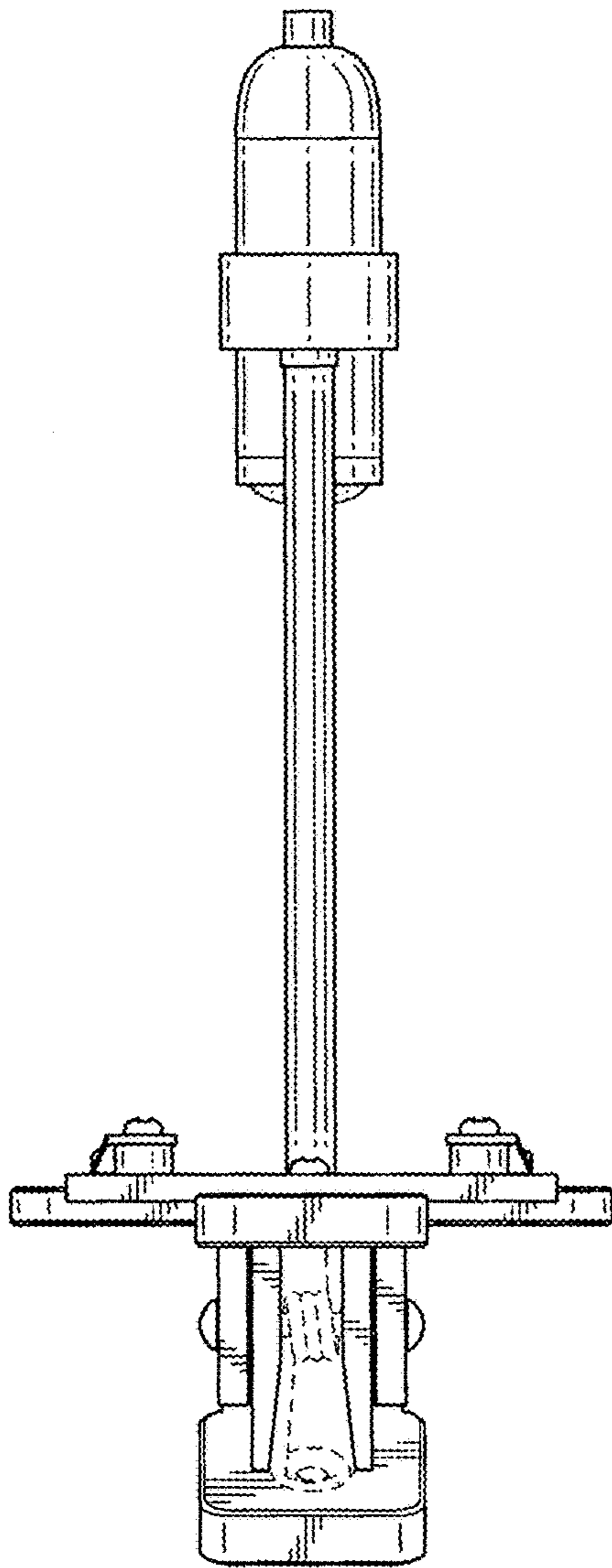


FIG. 4

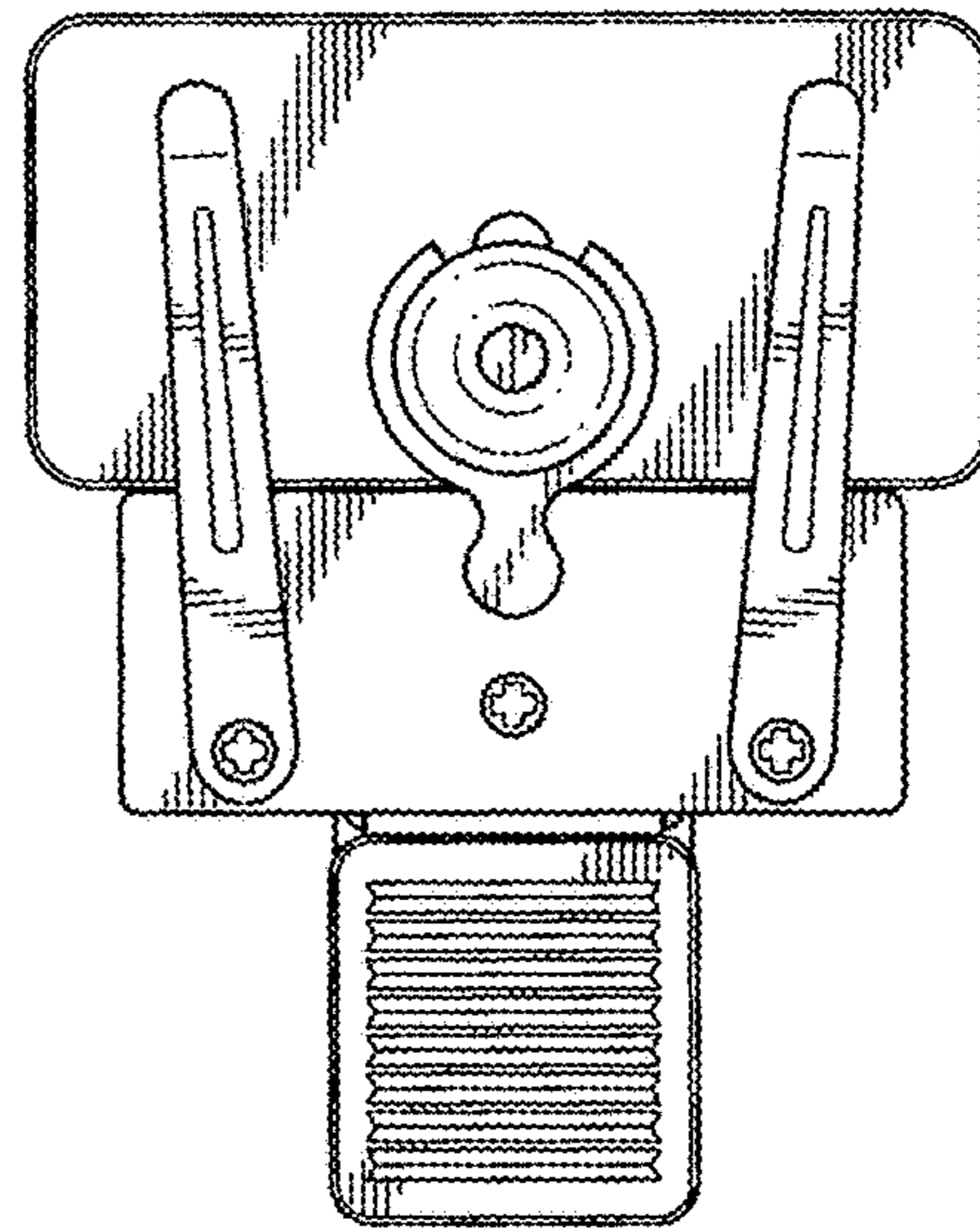


FIG. 5

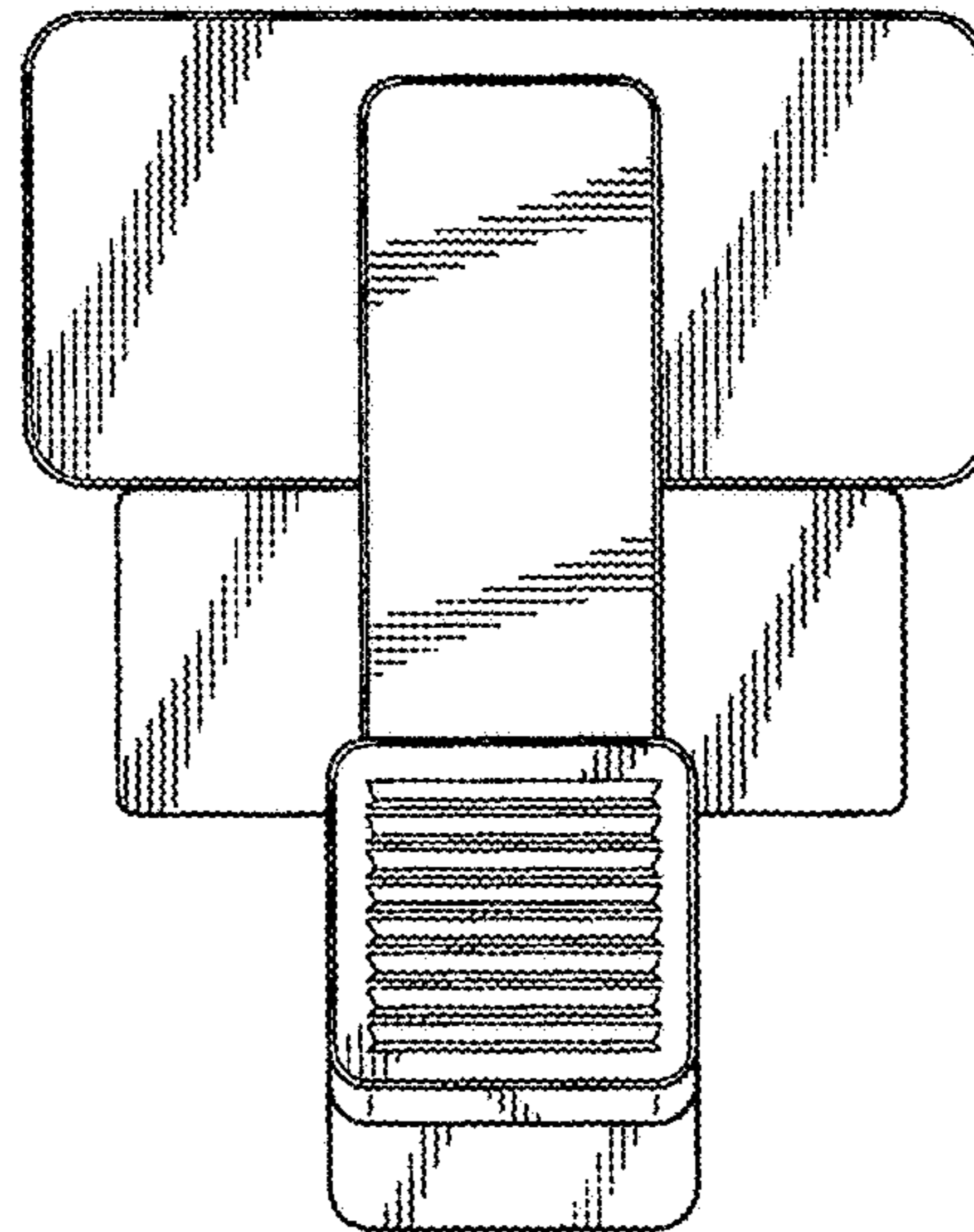


FIG. 6