



US00D831720S

(12) **United States Design Patent** (10) **Patent No.:** **US D831,720 S**  
**Miao et al.** (45) **Date of Patent:** **\*\* Oct. 23, 2018**

(54) **ROBOT**  
(71) Applicant: **UBTECH Robotics Corp.**, Shenzhen (CN)  
(72) Inventors: **Yusi Miao**, Shenzhen (CN); **Wenhua Yu**, Shenzhen (CN); **Libing Zhou**, Shenzhen (CN); **Qi Zhao**, Shenzhen (CN); **Youjun Xiong**, Shenzhen (CN)  
(73) Assignee: **UBTECH ROBOTICS CORP.**, Shenzhen (CN)

D557,514 S \* 12/2007 Lohle ..... D6/369  
D629,523 S \* 12/2010 Porter ..... D24/185  
D644,256 S \* 8/2011 Kitano ..... D15/199  
D687,148 S \* 7/2013 Knieriem ..... D24/185  
D761,894 S \* 7/2016 Ho ..... D15/199

(\*\*) Term: **15 Years**  
(21) Appl. No.: **29/593,992**  
(22) Filed: **Feb. 14, 2017**

(30) **Foreign Application Priority Data**  
Oct. 10, 2016 (CN) ..... 2016 3 0496683  
(51) **LOC (11) Cl.** ..... **15-99**  
(52) **U.S. Cl.**  
USPC ..... **D15/199**  
(58) **Field of Classification Search**  
USPC ..... D15/199, 144, 31; D21/578, 579, 576,  
D21/621-623, 624-627, 630; D24/185;  
D14/302, 307, 432, 299; D6/334, 330,  
D6/374  
CPC . B25J 9/044; B25J 9/003; B25J 9/0078; B25J  
9/102; B25J 18/00; B25J 18/002; B25J  
18/04; B25J 18/007; B25J 15/00; B25J  
15/0033; B25J 15/0038  
See application file for complete search history.

(56) **References Cited**  
U.S. PATENT DOCUMENTS  
D213,683 S \* 4/1969 Leistikow ..... D6/374  
D549,756 S \* 8/2007 Park ..... D15/199

**OTHER PUBLICATIONS**

Zaufishan, Killing Your Back to Read Qur'an? Get a Floor Chair, posted Feb. 28, 2011, [online], [site visited May 22, 2018]. Available from Internet, <URL: <http://www.zaufishan.co.uk/2011/02/killing-your-back-to-read-quran-get.html>> (Year: 2011).\*

\* cited by examiner

*Primary Examiner* — Sheryl Lane  
*Assistant Examiner* — Samantha N Wood

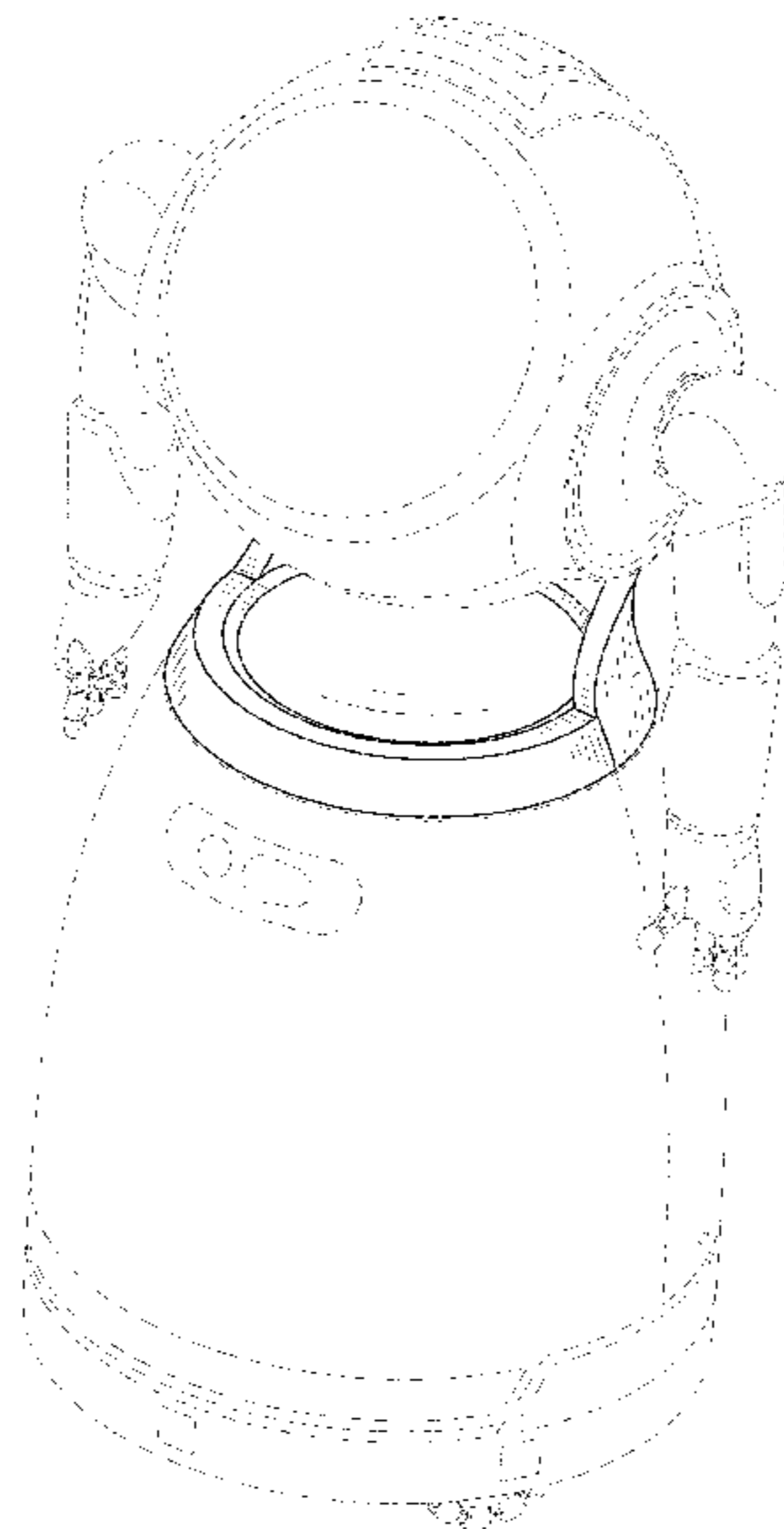
(57) **CLAIM**

The ornamental design for a robot, as shown and described.

**DESCRIPTION**

FIG. 1 is a perspective view of a robot showing our new design;  
FIG. 2 is a front elevational view thereof;  
FIG. 3 is a rear elevational view thereof;  
FIG. 4 is a left side elevational view thereof;  
FIG. 5 is a right side elevational view thereof;  
FIG. 6 is a top plan view thereof; and,  
FIG. 7 is a bottom plan view thereof.  
The broken lines are included for the purpose of illustrating the environmental structure and form no part of the claimed design.

**1 Claim, 7 Drawing Sheets**



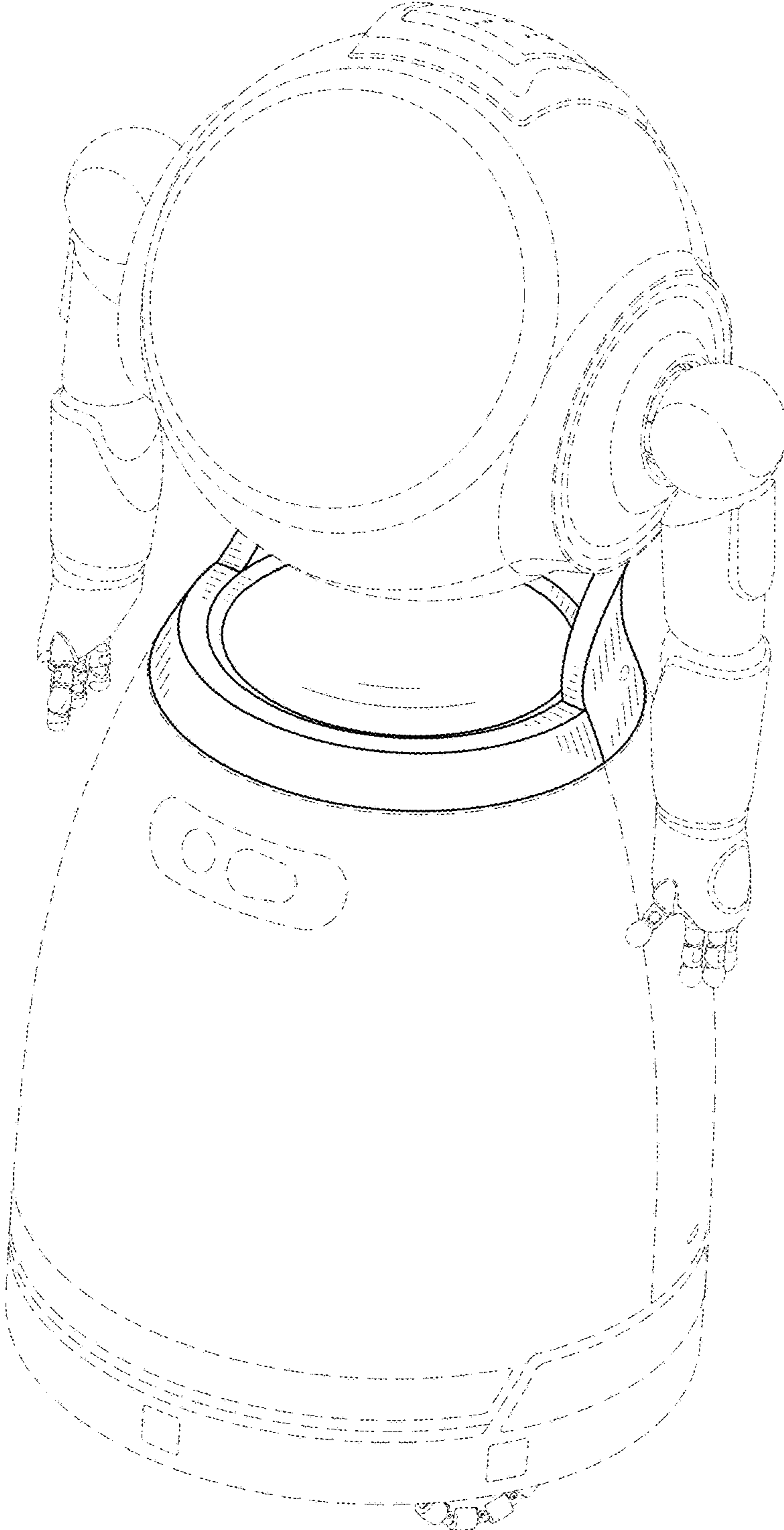


FIG. 1

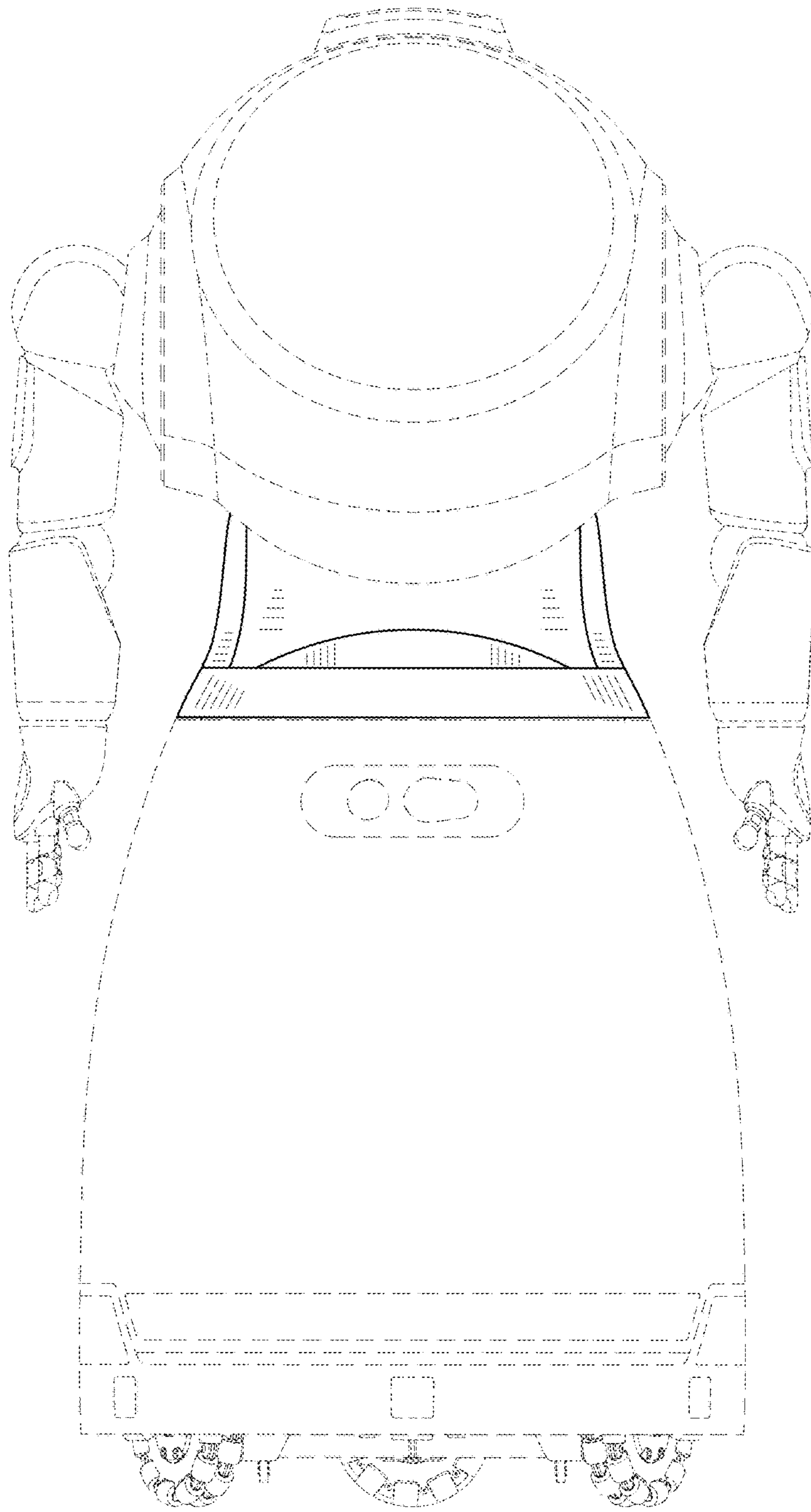


FIG. 2

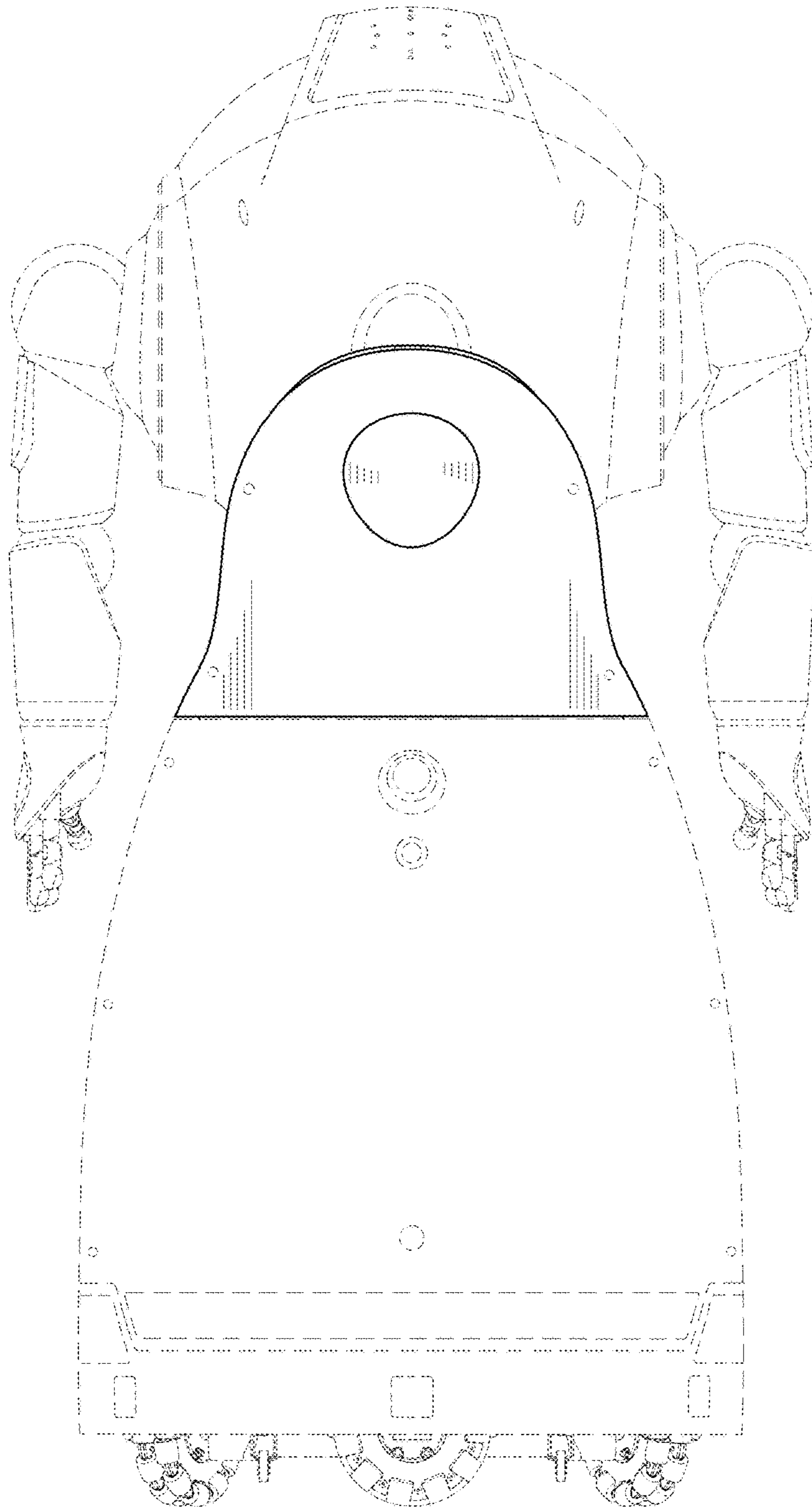


FIG. 3

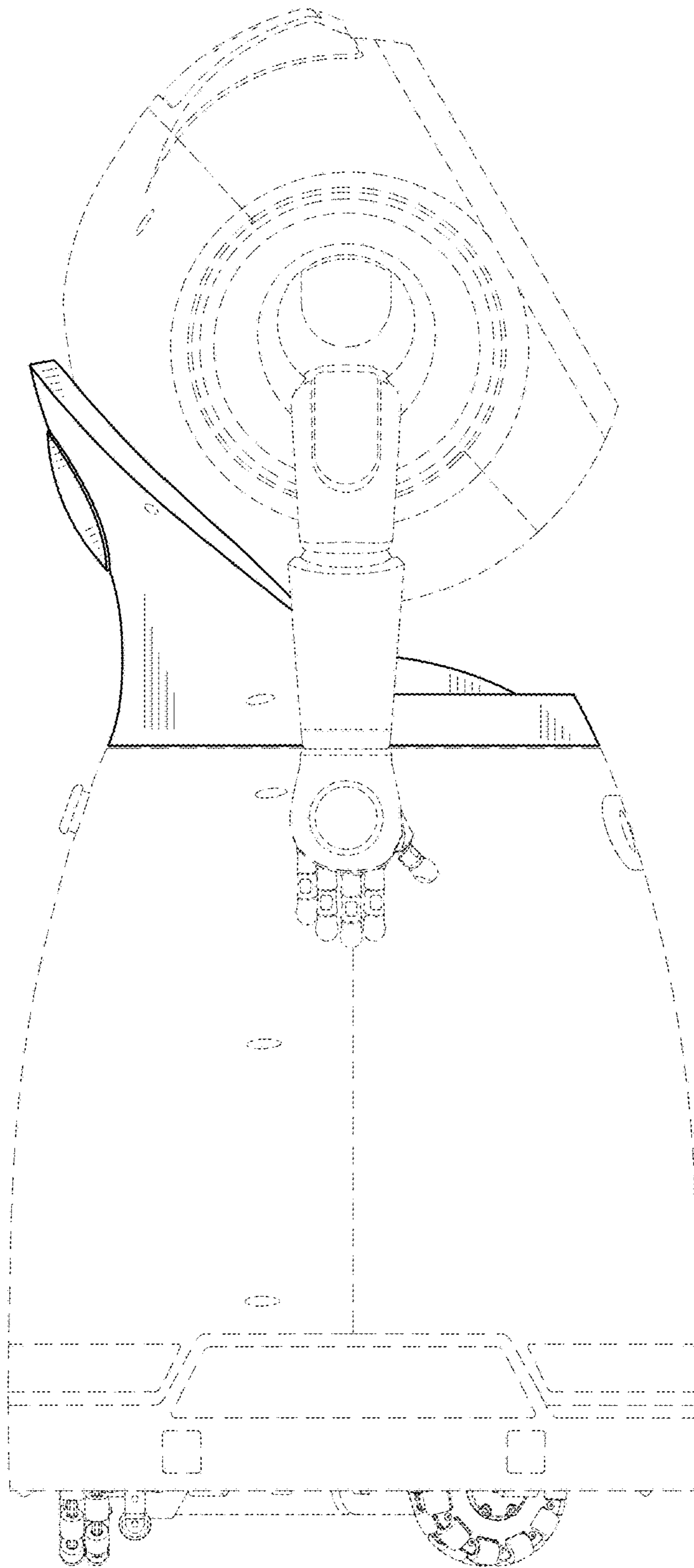


FIG. 4

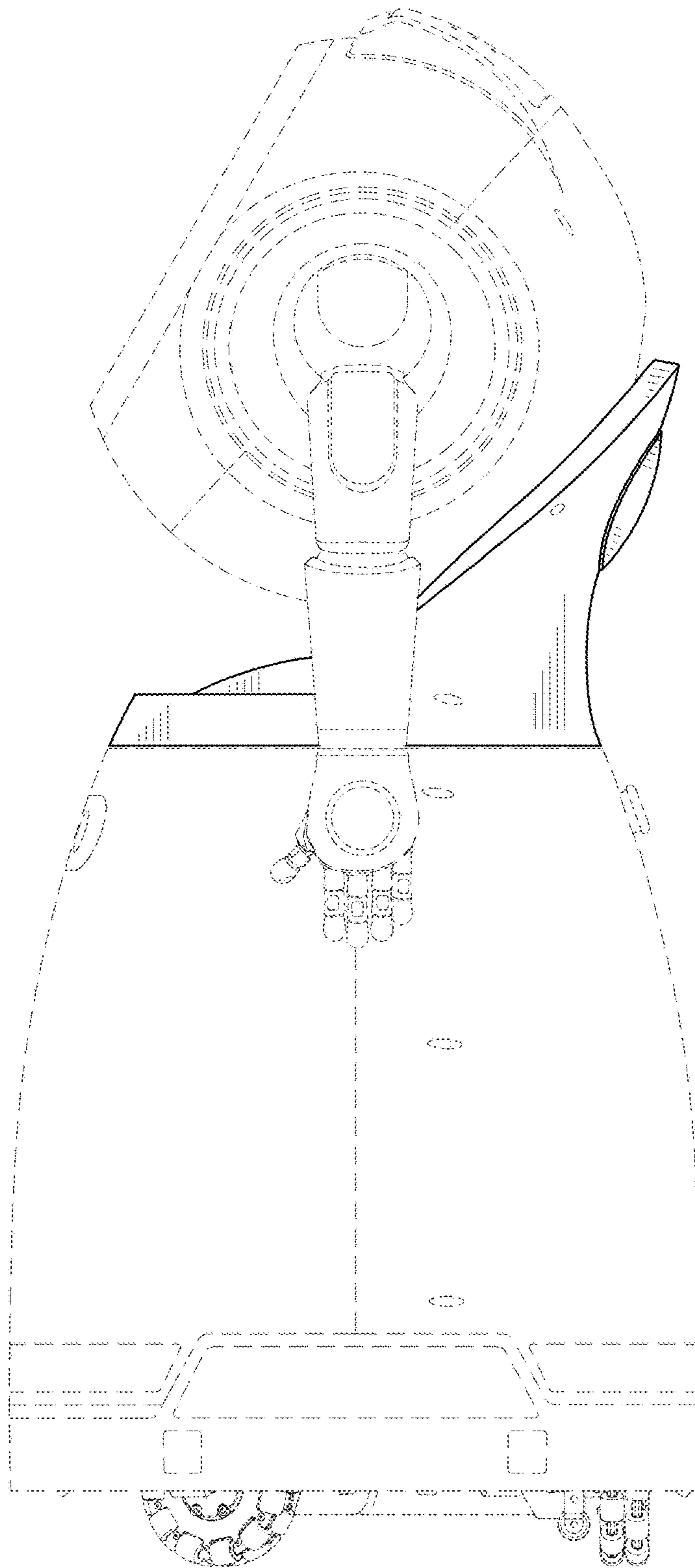


FIG. 5

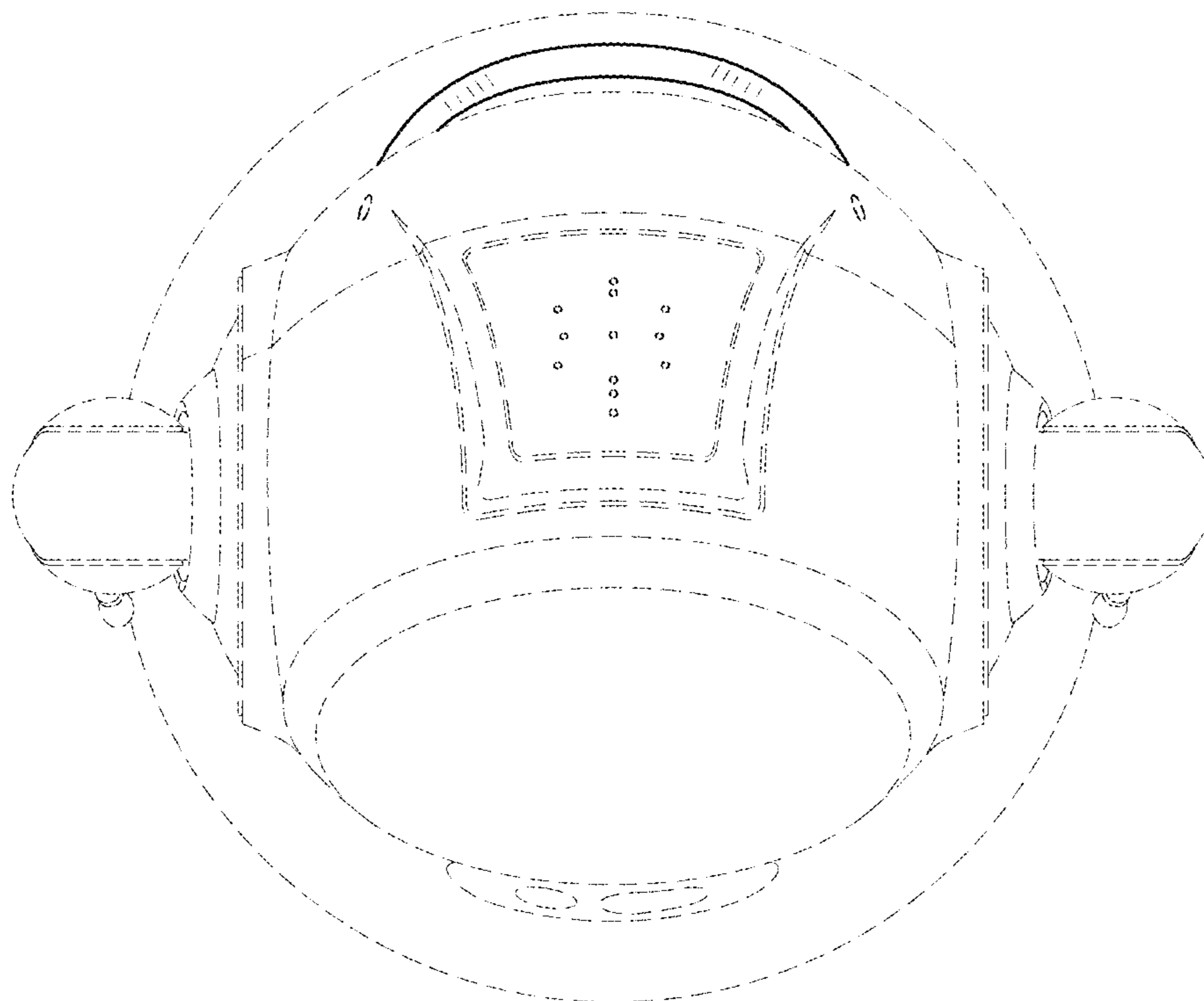


FIG. 6

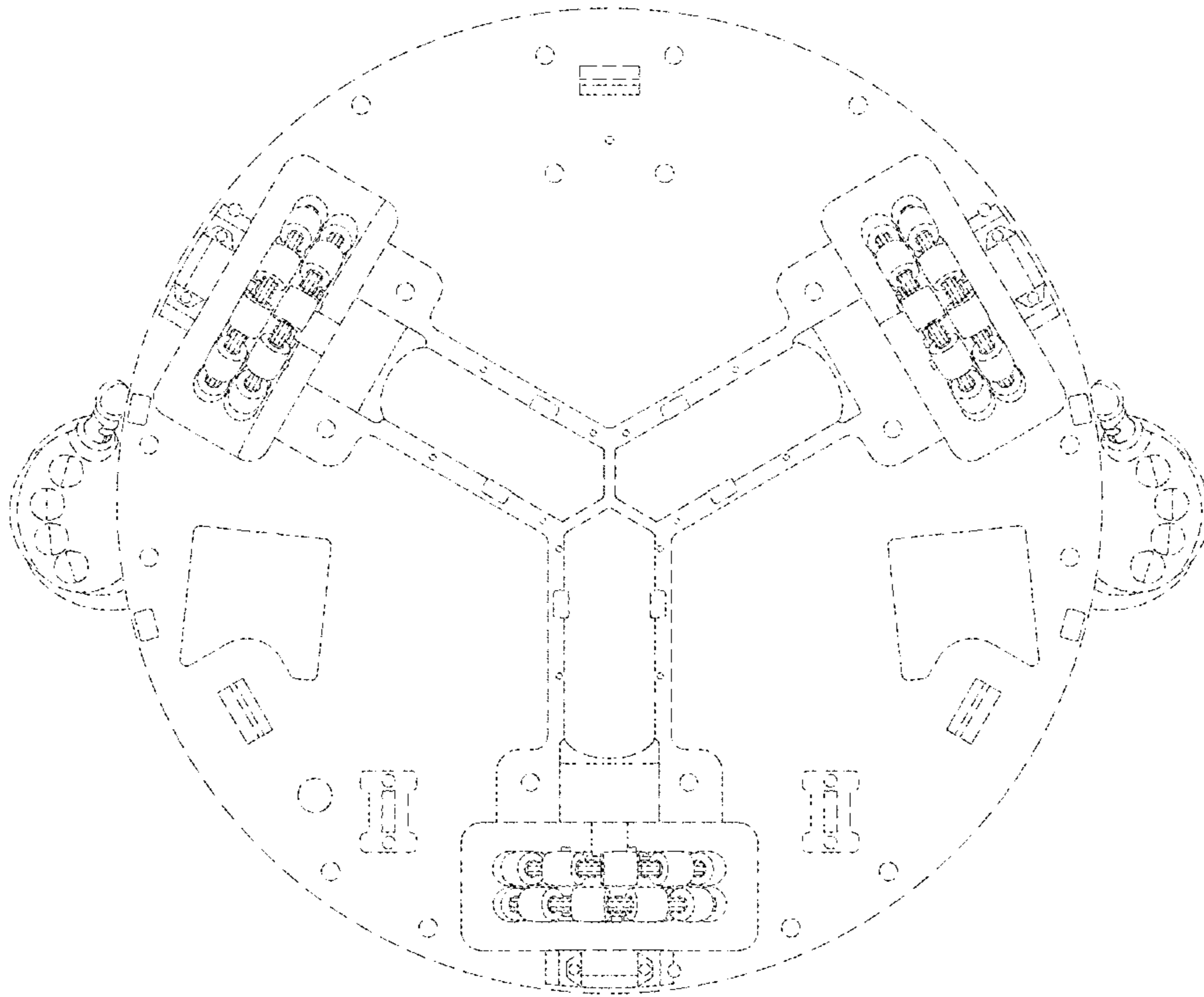


FIG. 7