



US00D831716S

(12) **United States Design Patent**
Gou

(10) **Patent No.:** **US D831,716 S**

(45) **Date of Patent:** **** Oct. 23, 2018**

(54) **CONTROLLING APPARATUS FOR SOLDERING**

(71) Applicant: **Guangzhou Yihua Electronic Equipment Co., Ltd.**, Guangzhou, Guangdong (CN)

(72) Inventor: **Mingkang Gou**, Guangdong (CN)

(73) Assignee: **GUANGZHOU YIHUA ELECTRONIC EQUIPMENT CO., LTD.**, Guangzhou, Guangdong (CN)

(**) Term: **15 Years**

(21) Appl. No.: **29/606,263**

(22) Filed: **Jun. 2, 2017**

(30) **Foreign Application Priority Data**

Dec. 8, 2016 (EP) 003507268-0003

(51) **LOC (11) Cl.** **15-03**

(52) **U.S. Cl.**
USPC **D15/144**

(58) **Field of Classification Search**
USPC D15/144, 144.1, 144.2; D14/217, 257, D14/258, 434, 496, 162, 167, 198, 197
CPC G02B 27/2214; G02B 3/0068; G02B 6/06
See application file for complete search history.

(56) **References Cited**

U.S. PATENT DOCUMENTS

D531,981 S * 11/2006 Akita D14/188
D537,067 S * 2/2007 Oikawa D14/188

D550,653 S * 9/2007 Wendt D14/217
D575,266 S * 8/2008 Nishida D14/186
D599,775 S * 9/2009 Onoue D14/137
D608,340 S * 1/2010 Nishizawa D14/137
D744,019 S * 11/2015 Evans D15/144
D751,033 S * 3/2016 Dessart D13/110
D793,355 S * 8/2017 Teulie D14/188
D811,370 S * 2/2018 Honda D14/217
D813,190 S * 3/2018 Onoue D14/198

* cited by examiner

Primary Examiner — Ian Simmons

Assistant Examiner — Khawaja Anwar

(74) *Attorney, Agent, or Firm* — Lucas & Mercanti LLP

(57) **CLAIM**

The ornamental design for a controlling apparatus for soldering, as shown and described.

DESCRIPTION

FIG. 1 is a perspective view of the controlling apparatus for soldering.

FIG. 2 is a front view thereof;

FIG. 3 is a rear view thereof;

FIG. 4 is a left side view thereof;

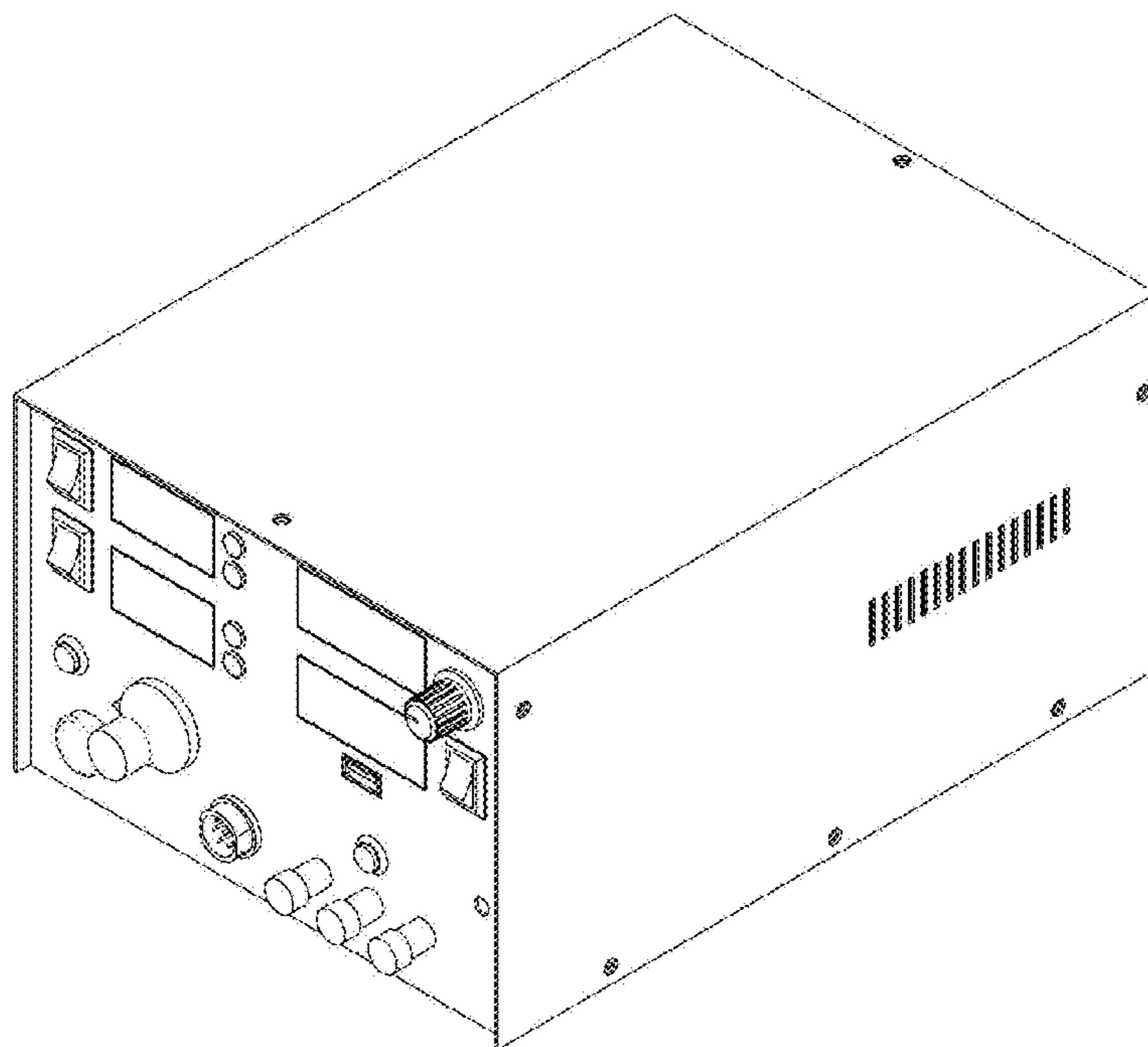
FIG. 5 is a right side view thereof;

FIG. 6 is a top view thereof; and,

FIG. 7 is a bottom view thereof.

The broken lines in FIGS. 2, 3 and 7 show portions of the controlling apparatus for soldering that form no part of the claimed design.

1 Claim, 6 Drawing Sheets



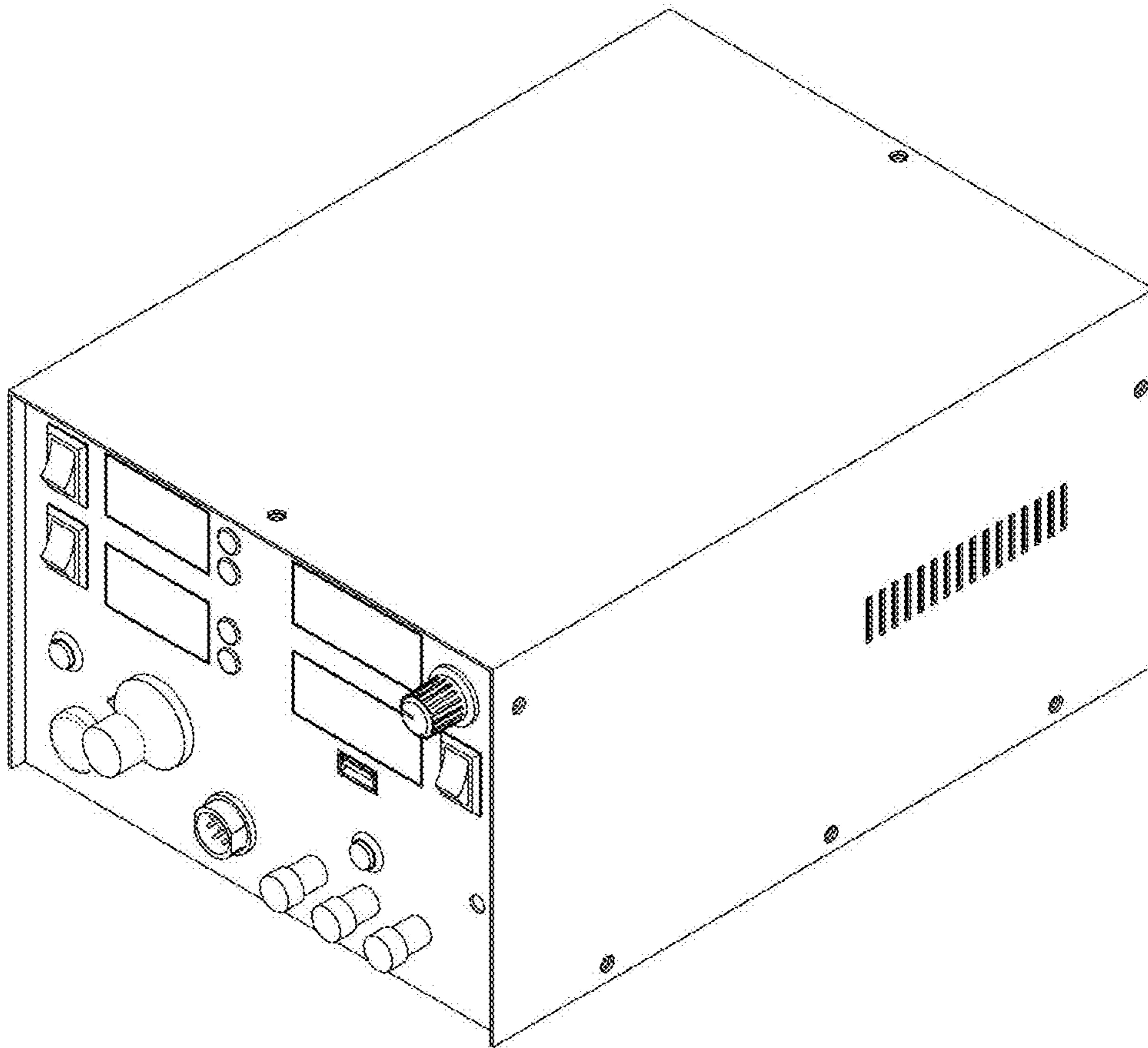


FIG. 1

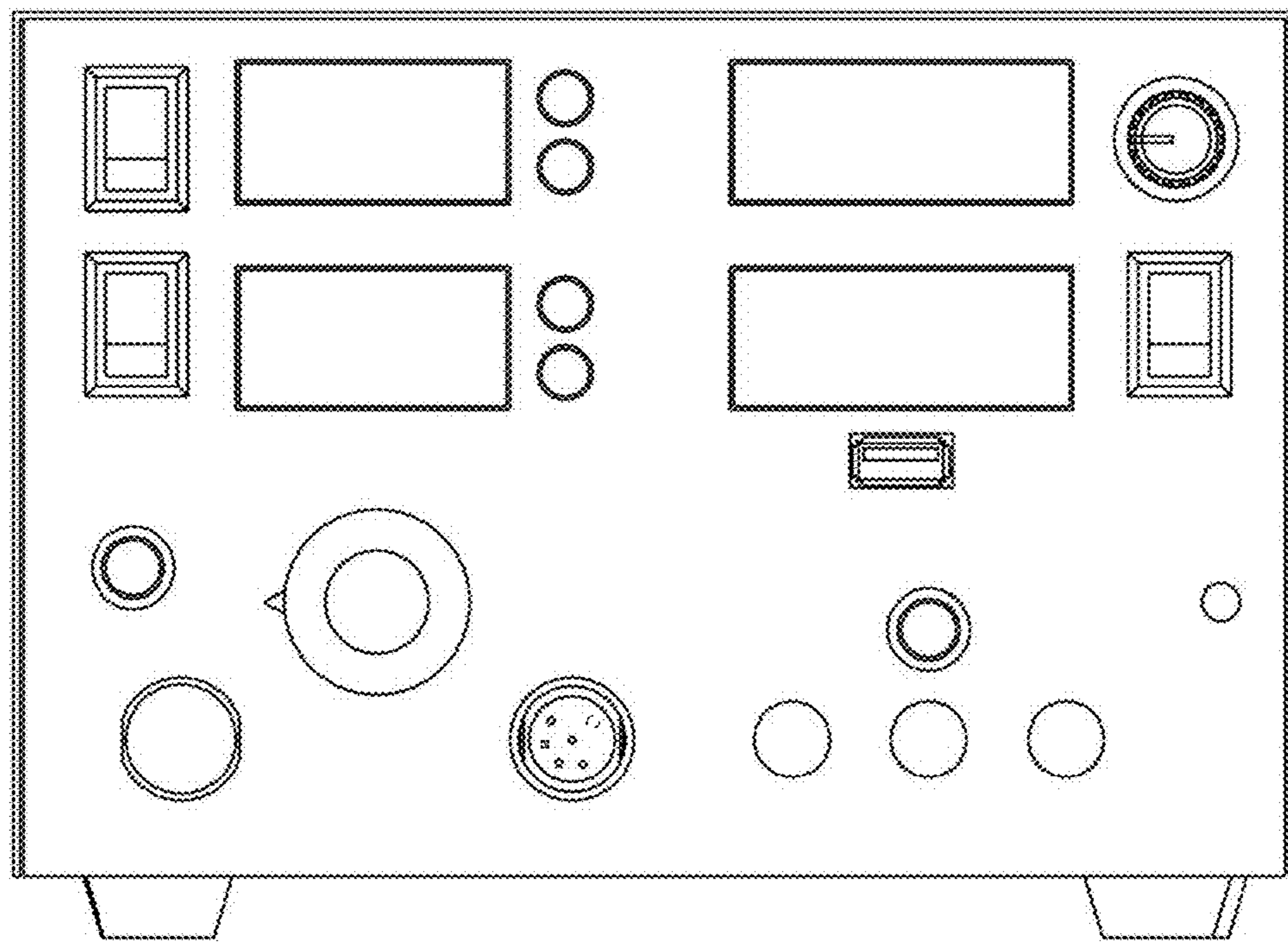


FIG. 2

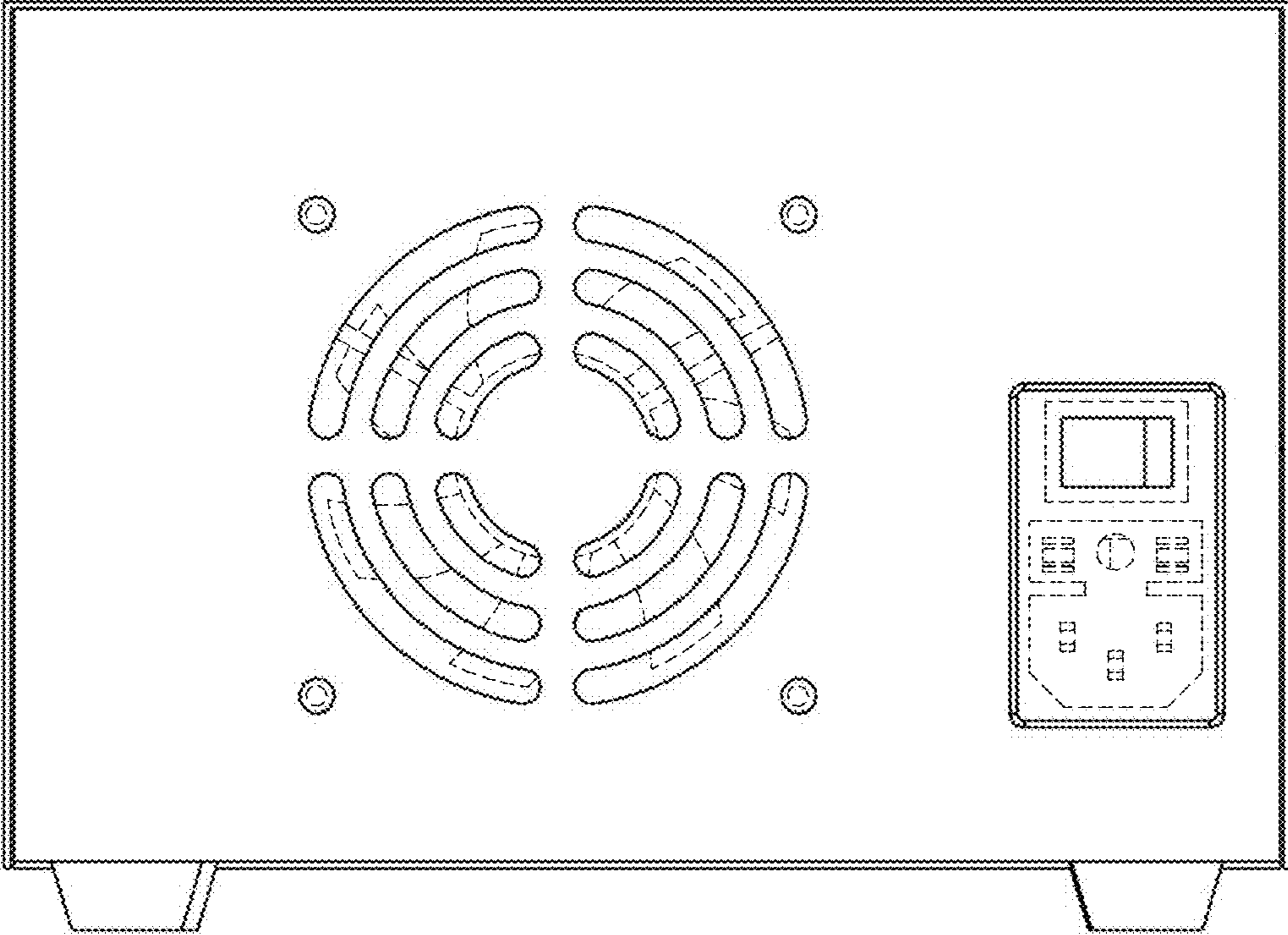


FIG. 3

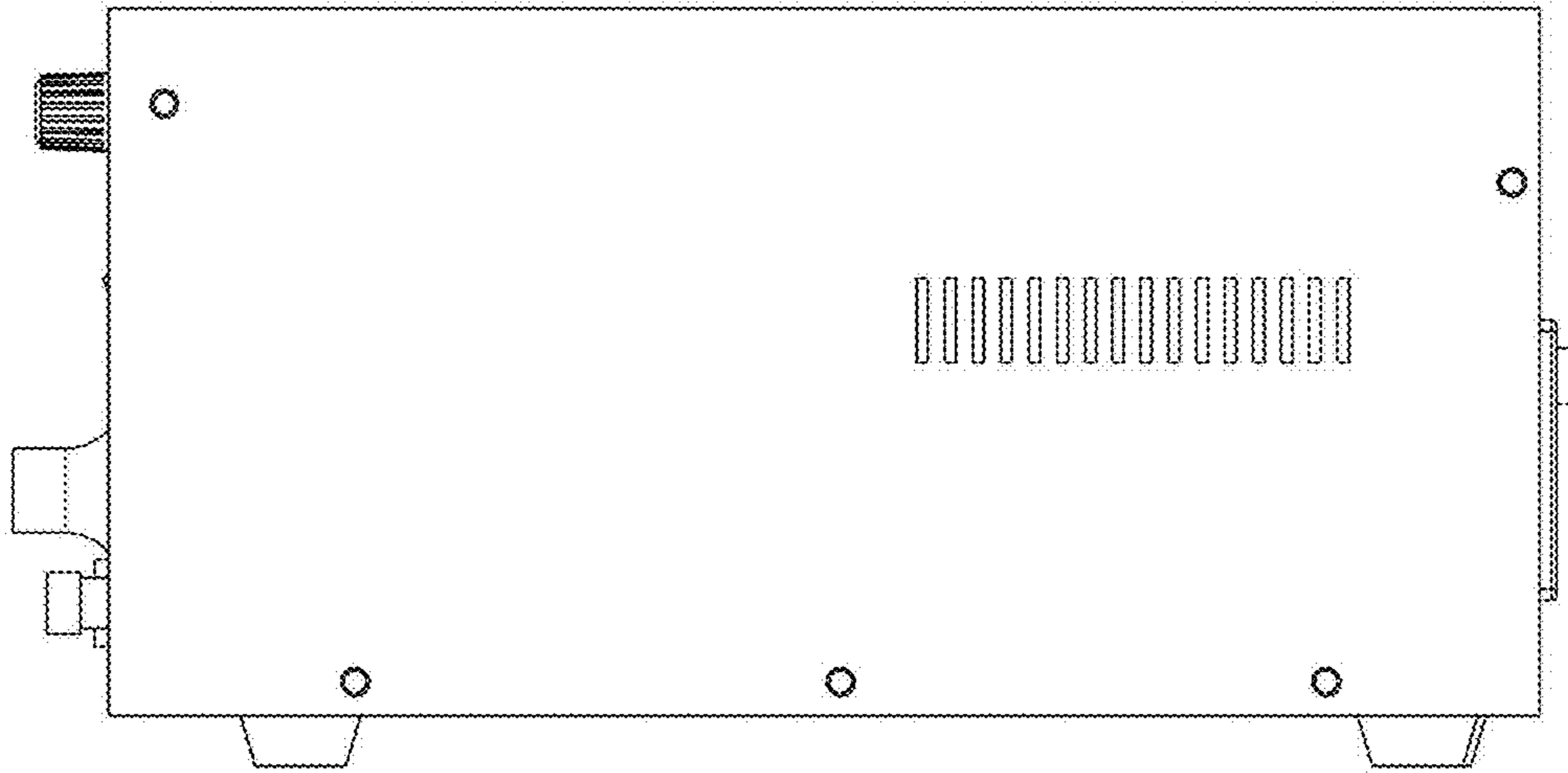


FIG. 4

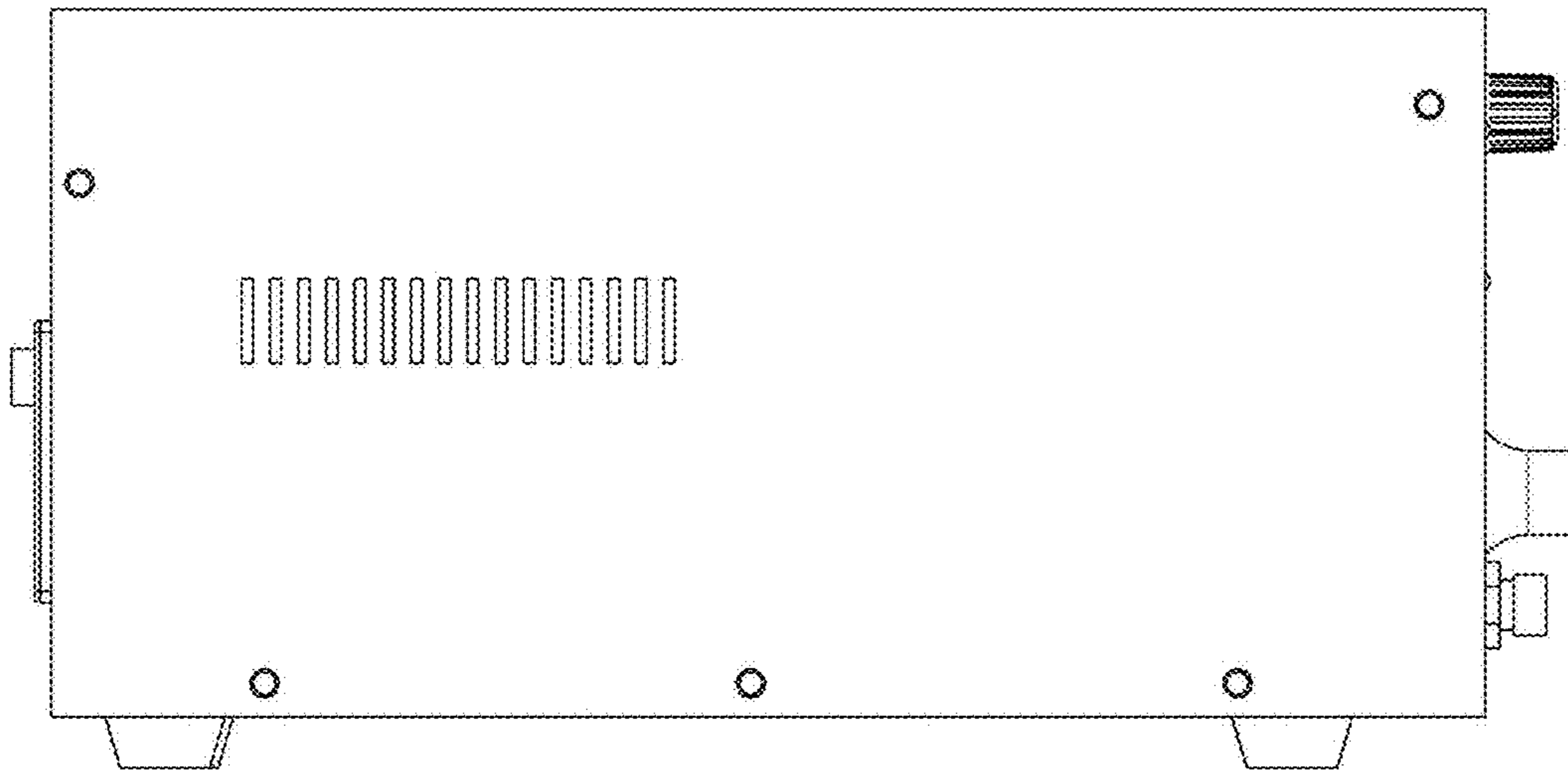


FIG. 5



FIG. 6

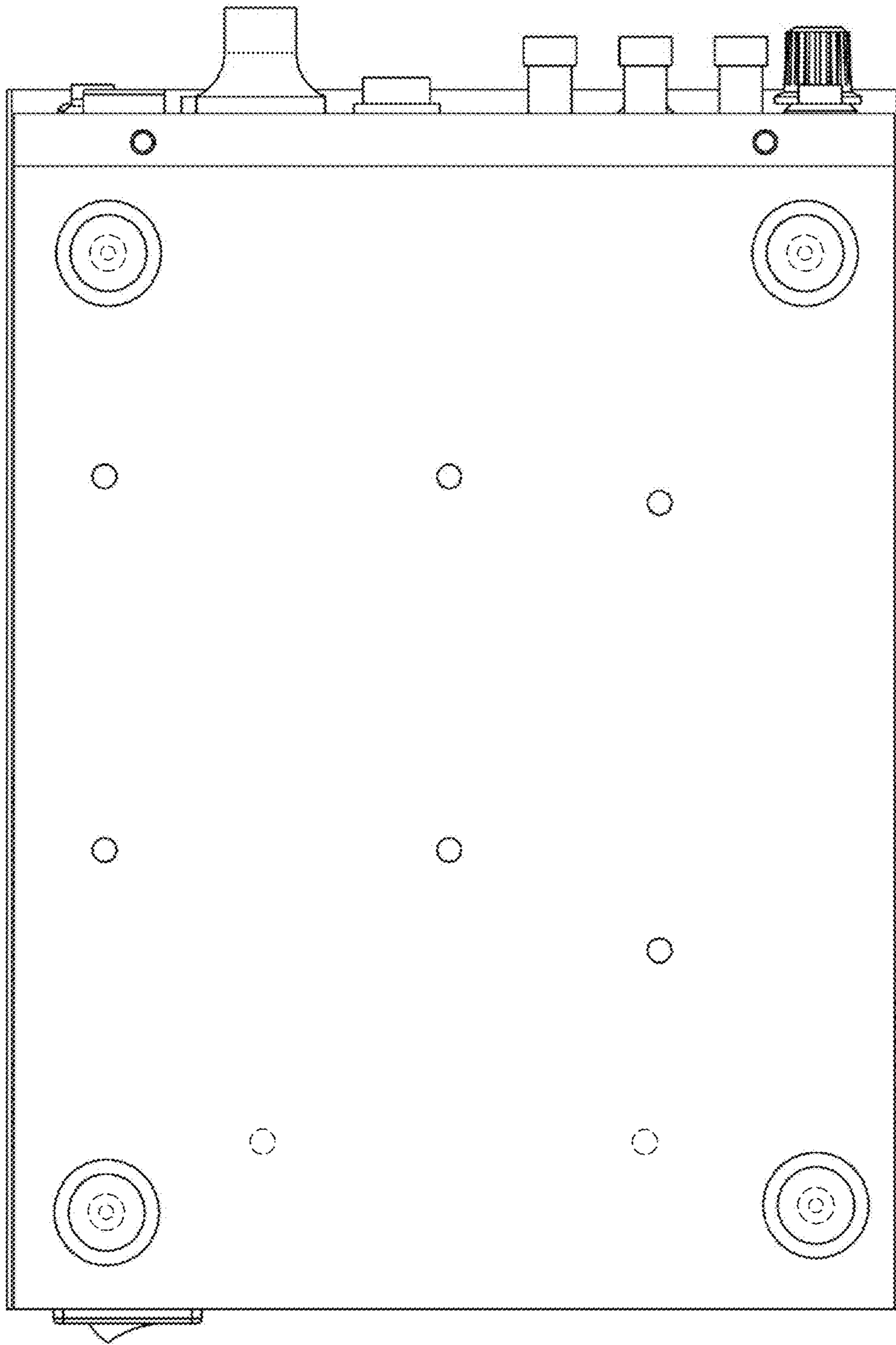


FIG. 7