



US00D831715S

(12) **United States Design Patent**
Gou

(10) **Patent No.:** **US D831,715 S**

(45) **Date of Patent:** **** Oct. 23, 2018**

(54) **CONTROLLING APPARATUS FOR SOLDERING**

(71) Applicant: **Guangzhou Yihua Electronic Equipment Co., Ltd.**, Guangzhou, Guangdong (CN)

(72) Inventor: **Mingkang Gou**, Guangdong (CN)

(73) Assignee: **GUANGZHOU YIHUA ELECTRONIC EQUIPMENT CO., LTD.**, Guangzhou, Guangdong (CN)

(**) Term: **15 Years**

(21) Appl. No.: **29/606,261**

(22) Filed: **Jun. 2, 2017**

(30) **Foreign Application Priority Data**

Dec. 8, 2016 (EM) 003507268-0001

(51) **LOC (11) Cl.** **15-03**

(52) **U.S. Cl.**
USPC **D15/144**

(58) **Field of Classification Search**
USPC D15/144, 144.1, 144.2; D8/29.1, 30
CPC G02B 27/2214; G02B 3/0068; G02B 6/06
See application file for complete search history.

(56) **References Cited**

U.S. PATENT DOCUMENTS

4,419,172 A * 12/1983 Bopst B44C 7/06
156/461

4,456,151 A * 6/1984 Lewellen B29B 13/022
222/146.5

4,456,228 A * 6/1984 Cable B23K 7/10
266/70
D654,521 S * 2/2012 Flubacher D15/144
D663,755 S * 7/2012 Schilter D15/144
D704,757 S * 5/2014 Nagai D15/144
D733,777 S * 7/2015 Miller D15/144
D740,338 S * 10/2015 Ford D15/144
D763,333 S * 8/2016 Baumert D15/144
D768,218 S * 10/2016 Kita D15/144
D778,331 S * 2/2017 Ide D15/144
D780,240 S * 2/2017 Burgler D15/144
D813,279 S * 3/2018 Wallimann D15/144

* cited by examiner

Primary Examiner — Ian Simmons

Assistant Examiner — Khawaja Anwar

(74) *Attorney, Agent, or Firm* — Lucas & Mercanti LLP

(57) **CLAIM**

The ornamental design for a controlling apparatus for soldering, as shown and described.

DESCRIPTION

FIG. 1 is a perspective view of the controlling apparatus for soldering.

FIG. 2 is a front view thereof;

FIG. 3 is a rear view thereof;

FIG. 4 is a left side view thereof;

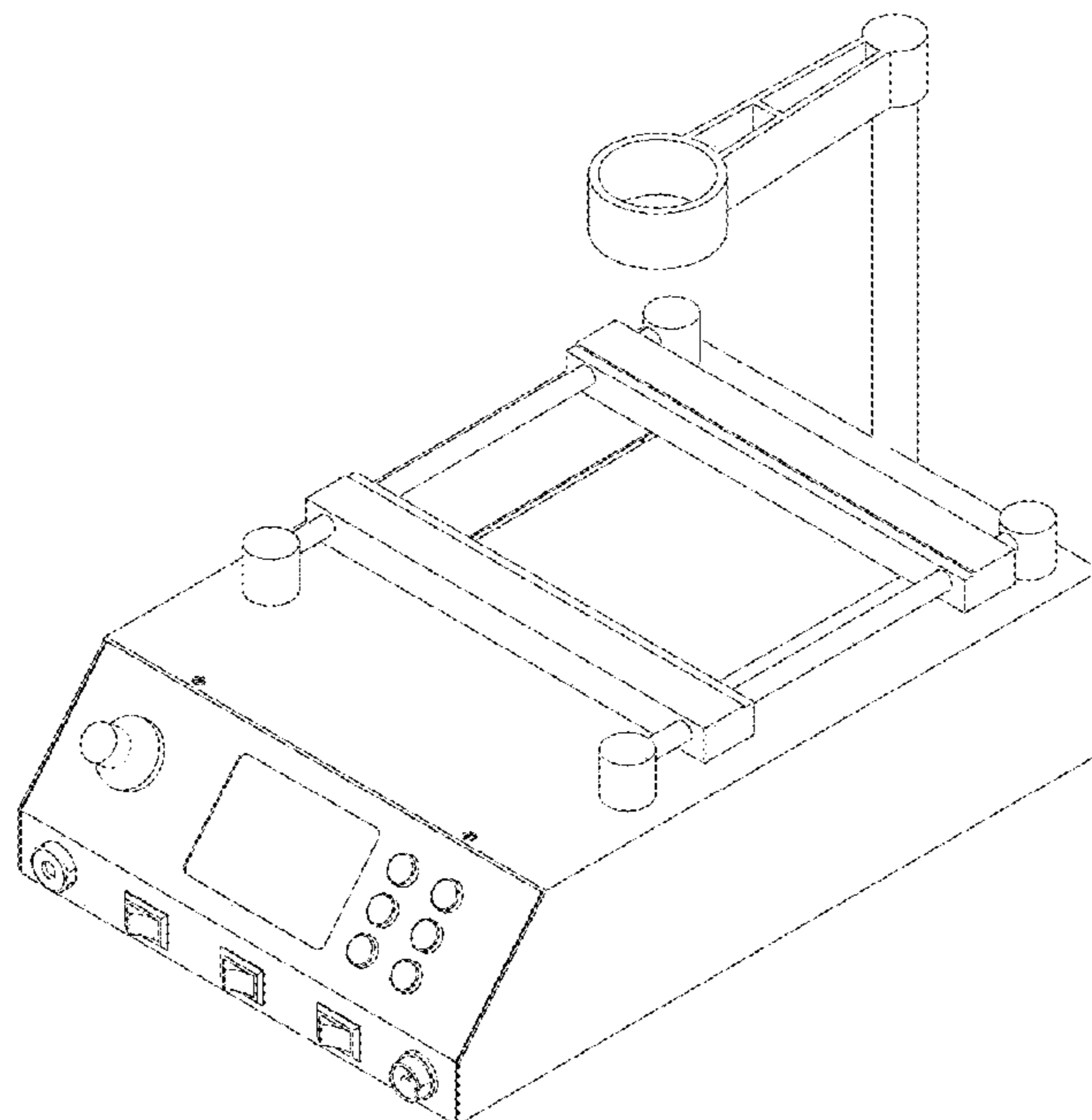
FIG. 5 is a right side view thereof;

FIG. 6 is a top view thereof; and,

FIG. 7 is a bottom view thereof.

The broken lines in FIGS. 2, 3 and 7 show portions of the controlling apparatus for soldering that form no part of the claimed design.

1 Claim, 7 Drawing Sheets



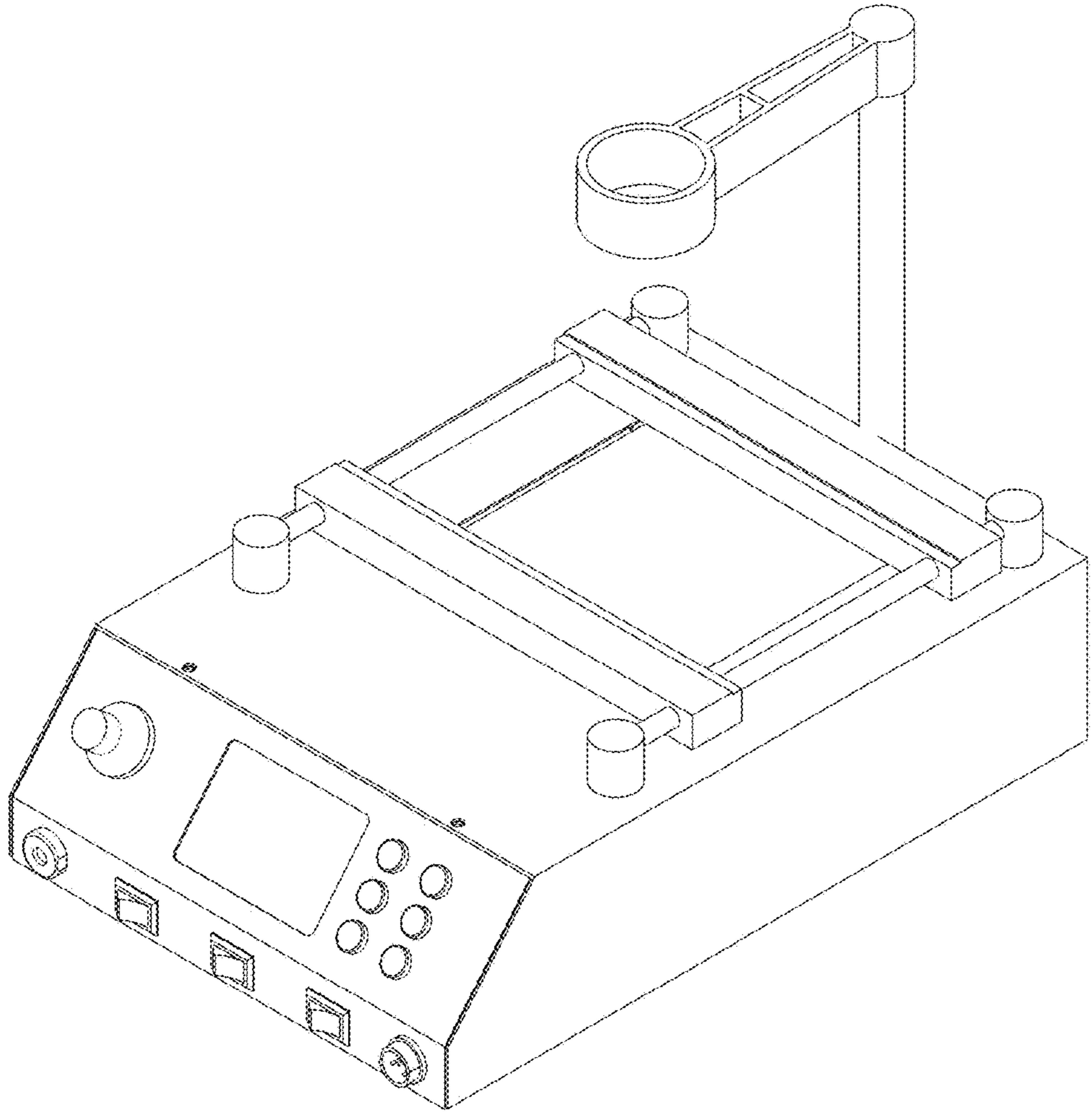


FIG. 1

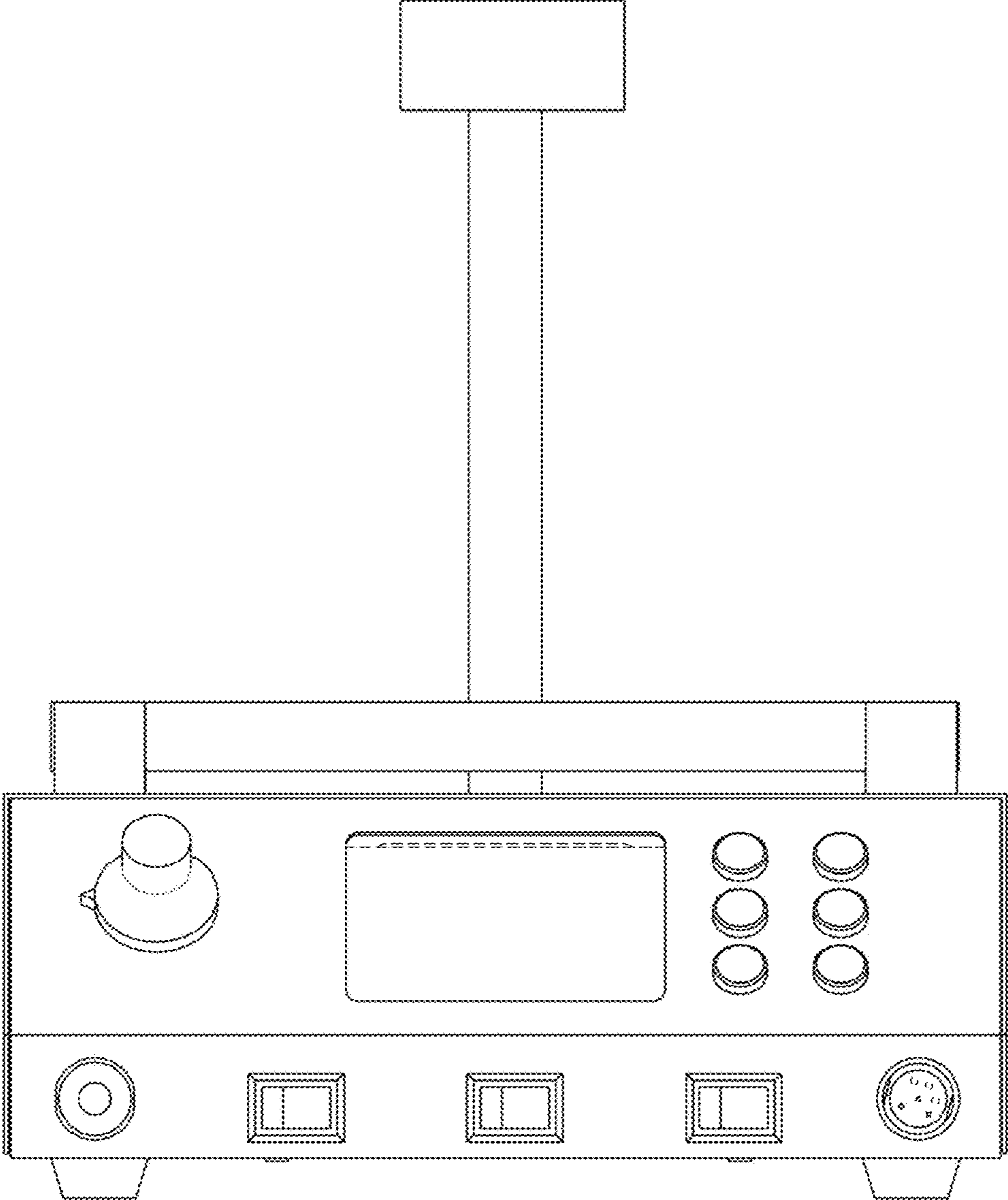


FIG. 2

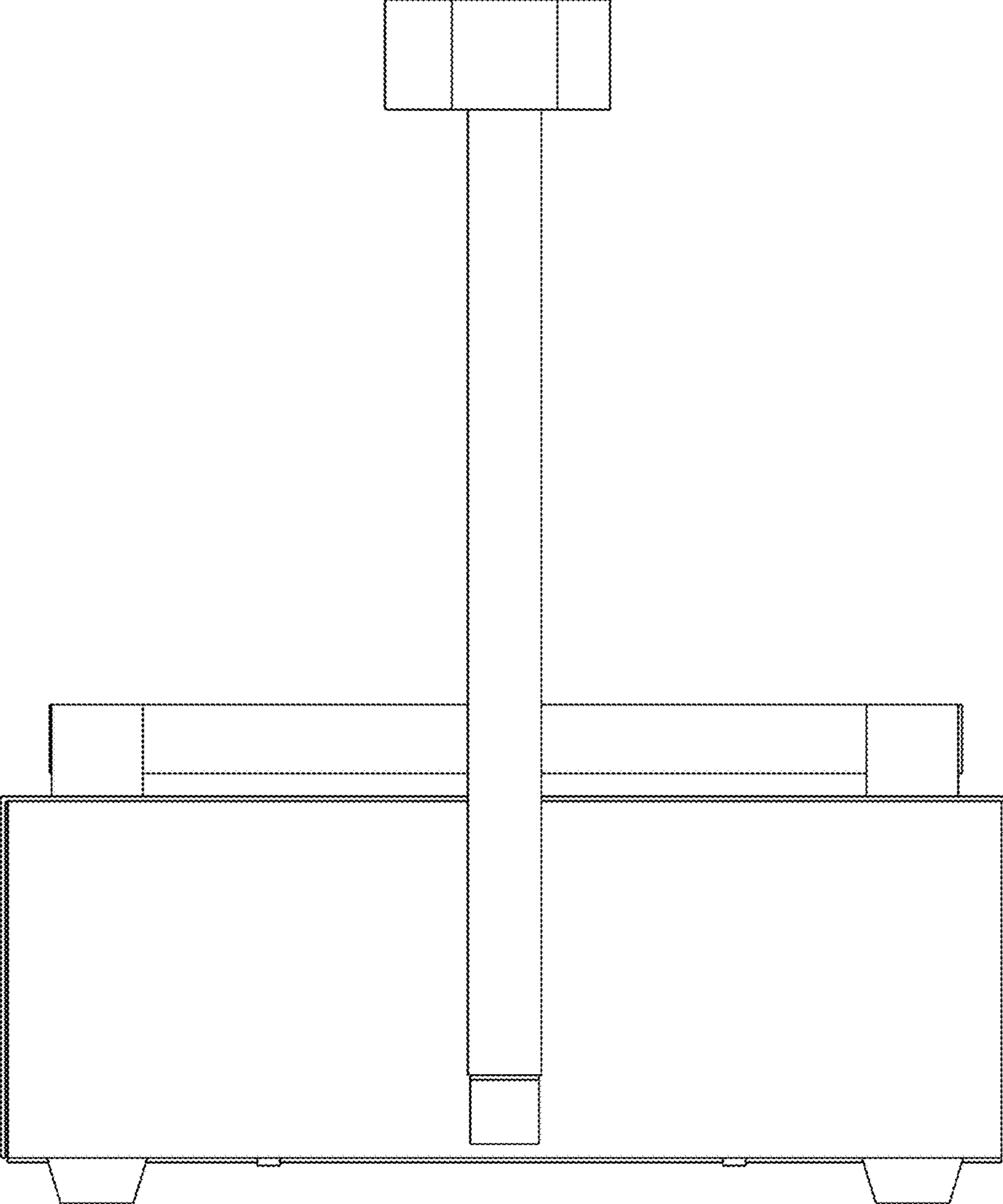


FIG. 3

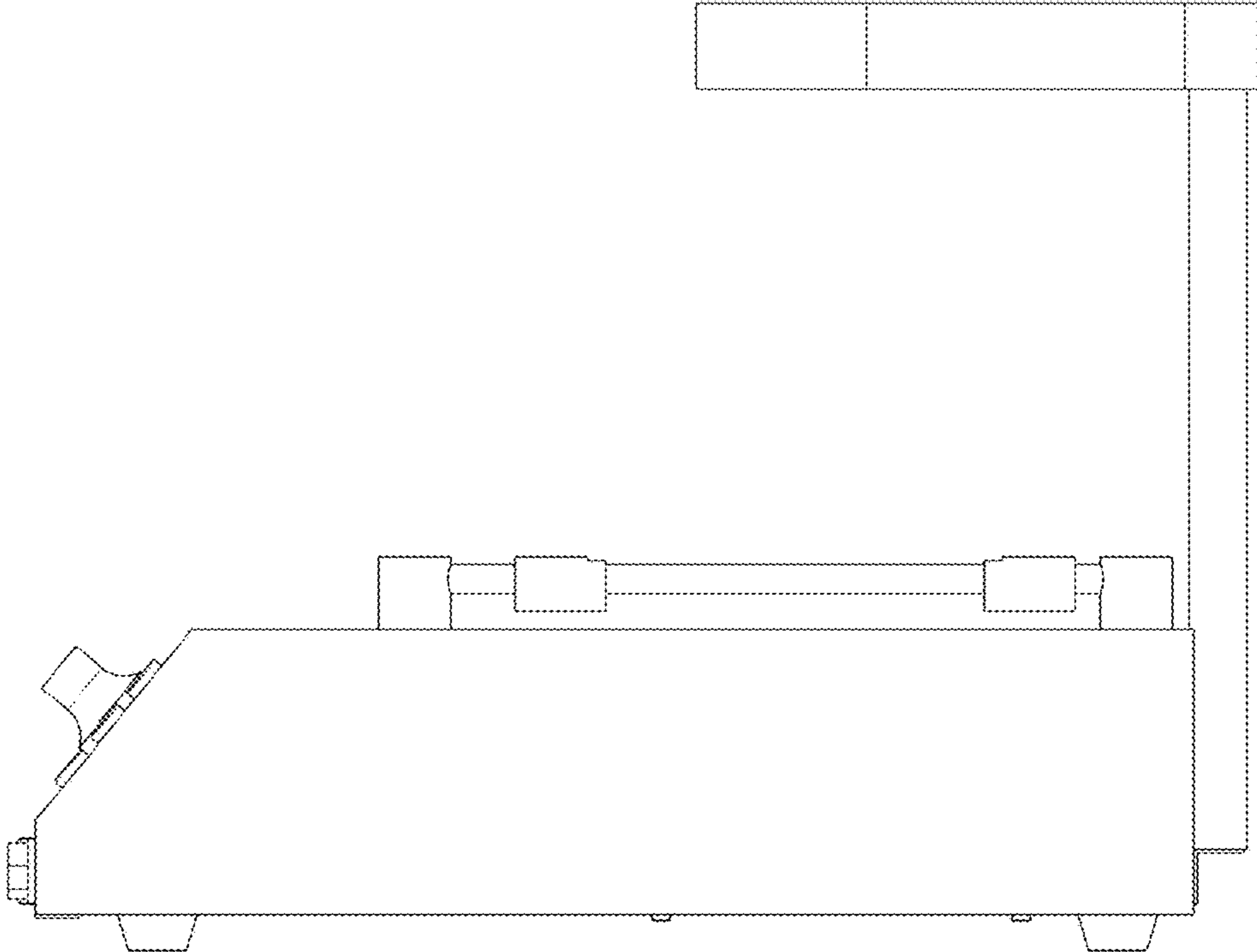


FIG. 4

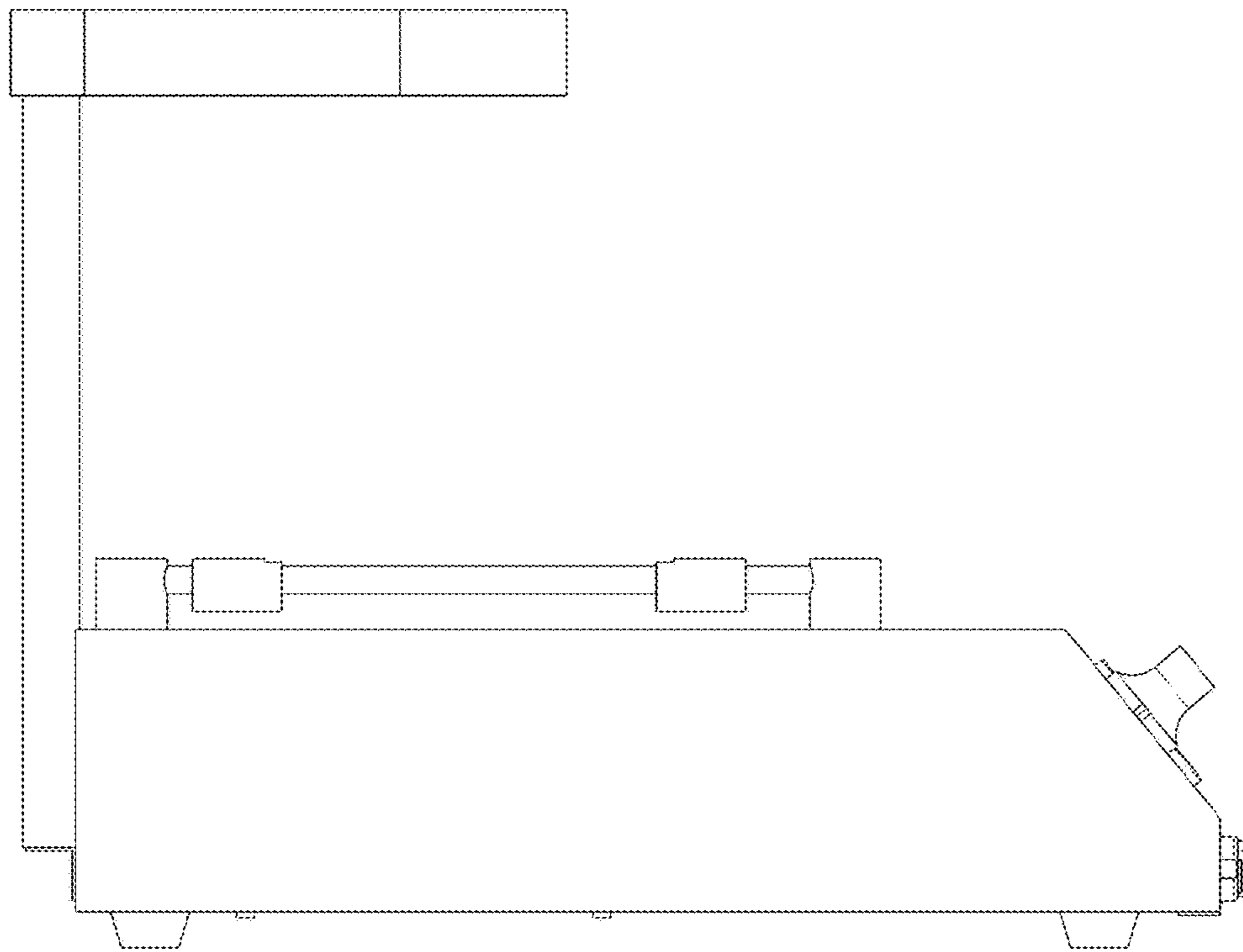


FIG. 5

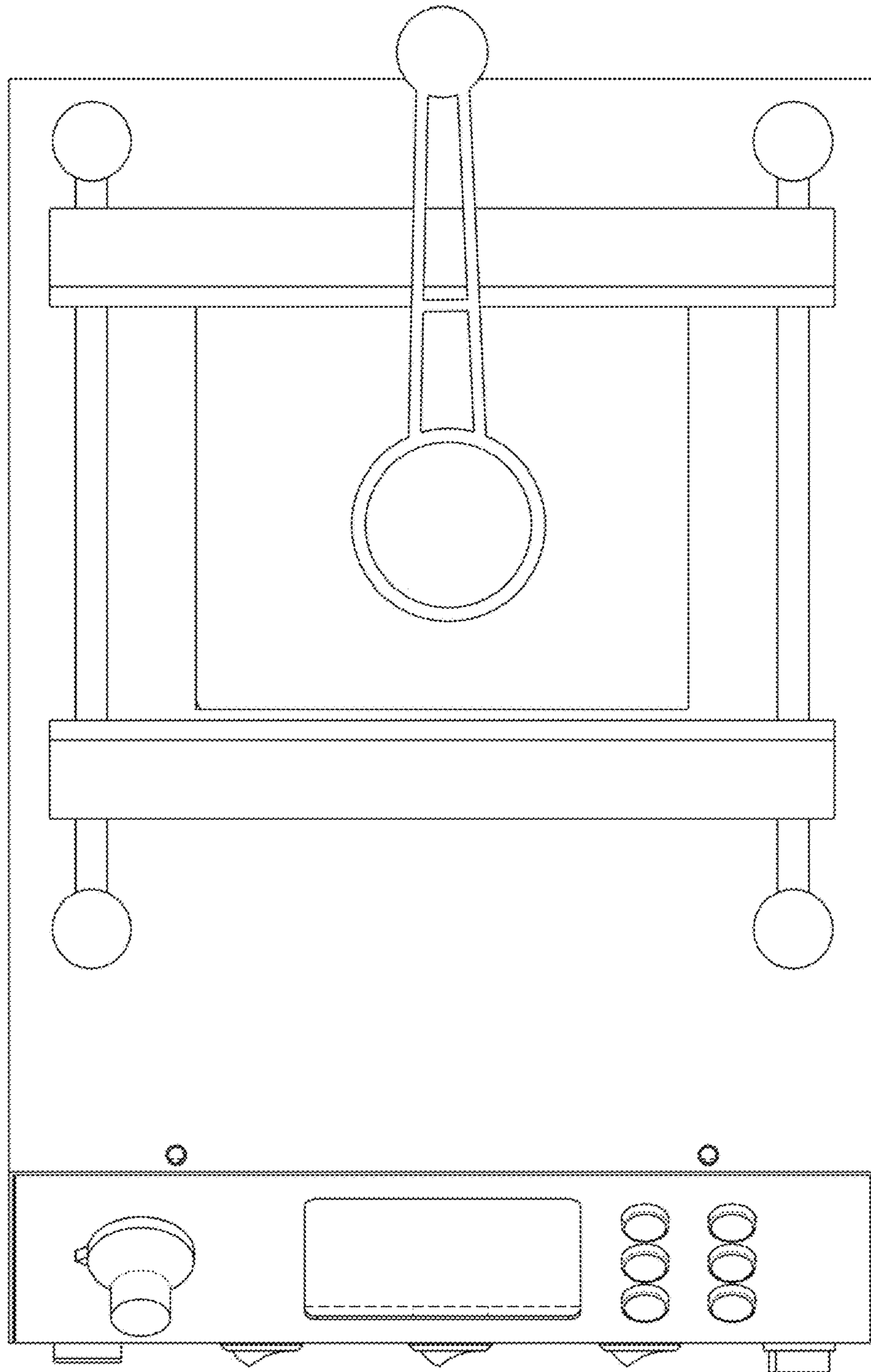


FIG. 6

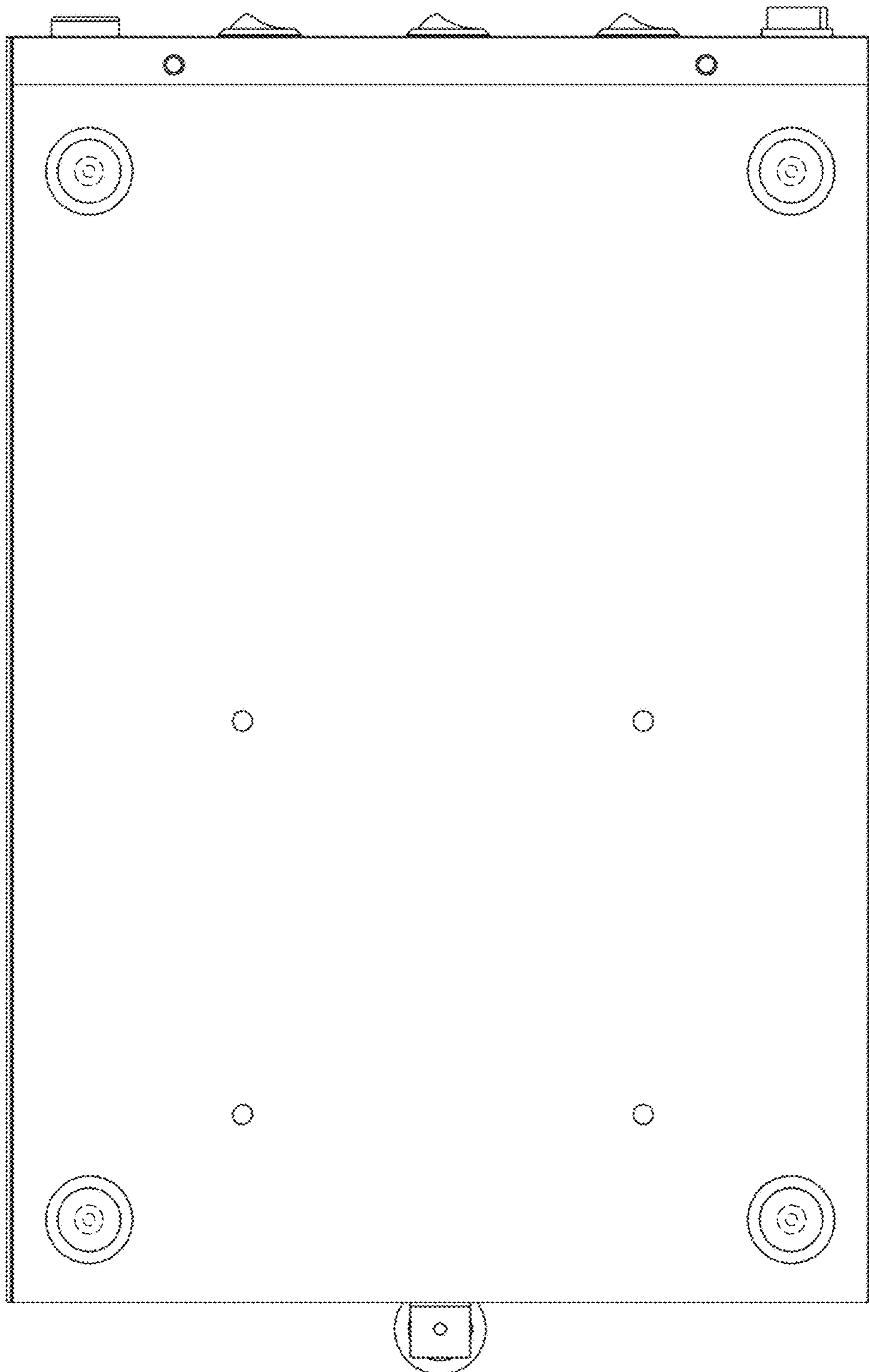


FIG. 7