



US00D831714S

(12) **United States Design Patent**
Osterholm

(10) **Patent No.:** **US D831,714 S**
(45) **Date of Patent:** **** Oct. 23, 2018**

(54) **ROCK DRILL BIT**

(71) Applicant: **ATLAS COPCO SECOROC AB**,
Fagersta (SE)

(72) Inventor: **Thomas Osterholm**, Fagersta (SE)

(73) Assignee: **ATLAS COPCO SECOROC AB**,
Fagersta (SE)

(**) Term: **15 Years**

(21) Appl. No.: **29/619,682**

(22) Filed: **Sep. 29, 2017**

Related U.S. Application Data

(62) Division of application No. 29/546,613, filed on Nov. 24, 2015.

(30) **Foreign Application Priority Data**

May 29, 2015 (EM) 2710236-0001-0006

(51) **LOC (11) Cl.** **15-09**

(52) **U.S. Cl.**
USPC **D15/139**

(58) **Field of Classification Search**

USPC D8/6; D15/28, 132, 138, 39, 140
CPC E21B 10/36; E21B 10/38; E21B 10/46;
E21B 10/56

See application file for complete search history.

(56) **References Cited**

U.S. PATENT DOCUMENTS

3,918,538 A	11/1975	Bender
4,817,852 A	4/1989	Hill
4,862,976 A	9/1989	Meek
4,919,221 A	4/1990	Pascale
5,890,551 A	4/1999	Liljebrand
6,039,127 A	3/2000	Myers

(Continued)

OTHER PUBLICATIONS

Australian Government Design Examination Report No. 1; Reference No. 171028; Design 20156038; Atlas Copco Secoroc AB; entitled Rock Drill Bit; dated Apr. 27, 2017.

(Continued)

Primary Examiner — Patricia A Palasik

(74) *Attorney, Agent, or Firm* — Knobbe Martens Olson & Bear LLP

(57) **CLAIM**

The ornamental design for a rock drill bit, as shown and described.

DESCRIPTION

FIG. 1 is top perspective view of a first embodiment of a rock drill bit, showing my new design.

FIG. 2 is a bottom perspective view thereof.

FIG. 3 is a bottom plan view thereof.

FIG. 4 is a top plan view thereof.

FIG. 5 is a right side elevational view thereof.

FIG. 6 is a left side elevational view thereof.

FIG. 7 is a front elevational view thereof.

FIG. 8 is a rear elevational view thereof.

FIG. 9 is top perspective view of a second embodiment of the rock drill bit, showing my new design.

FIG. 10 is a bottom perspective view thereof.

FIG. 11 is a bottom plan view thereof.

FIG. 12 is a top plan view thereof.

FIG. 13 is a right side elevational view thereof.

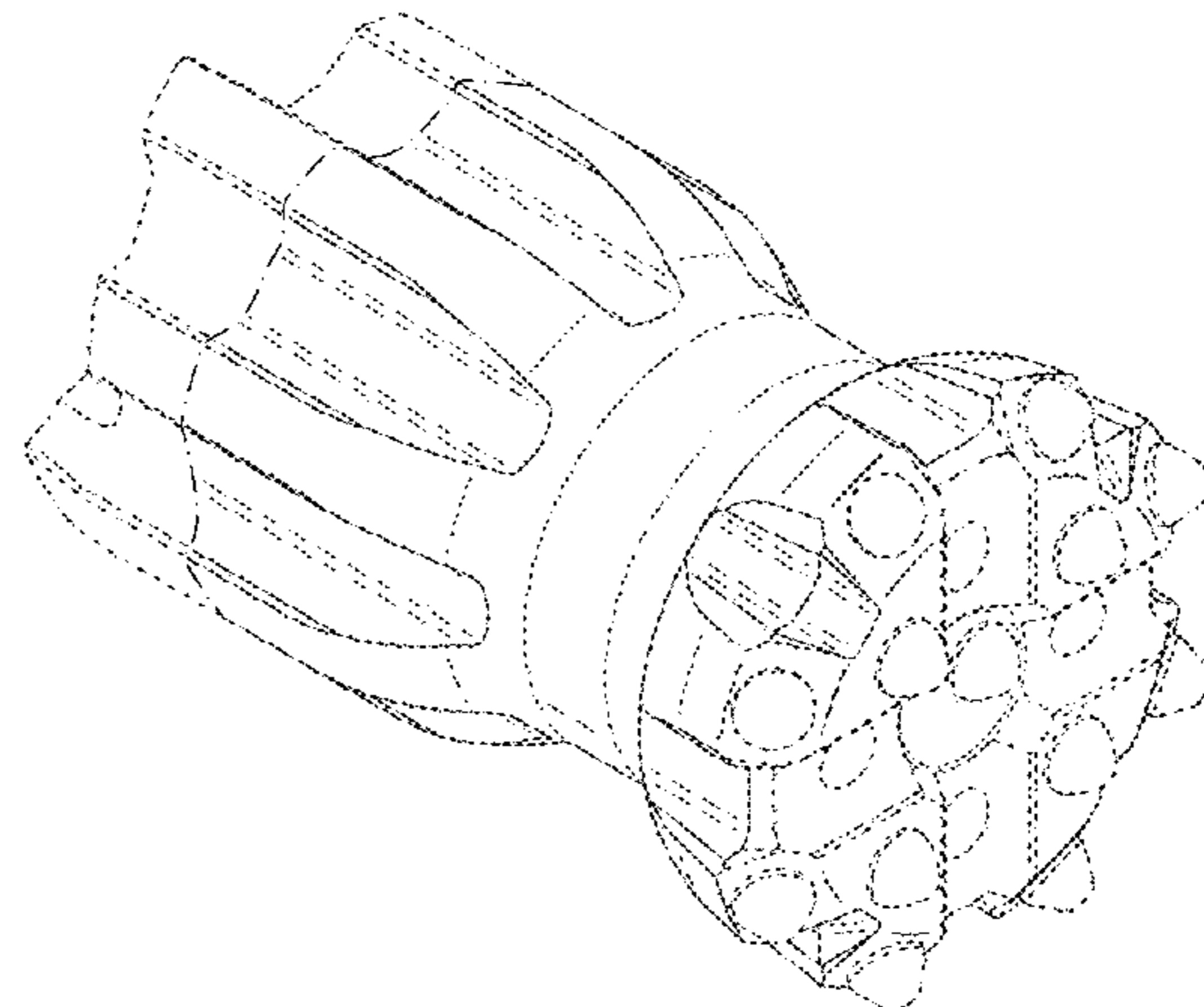
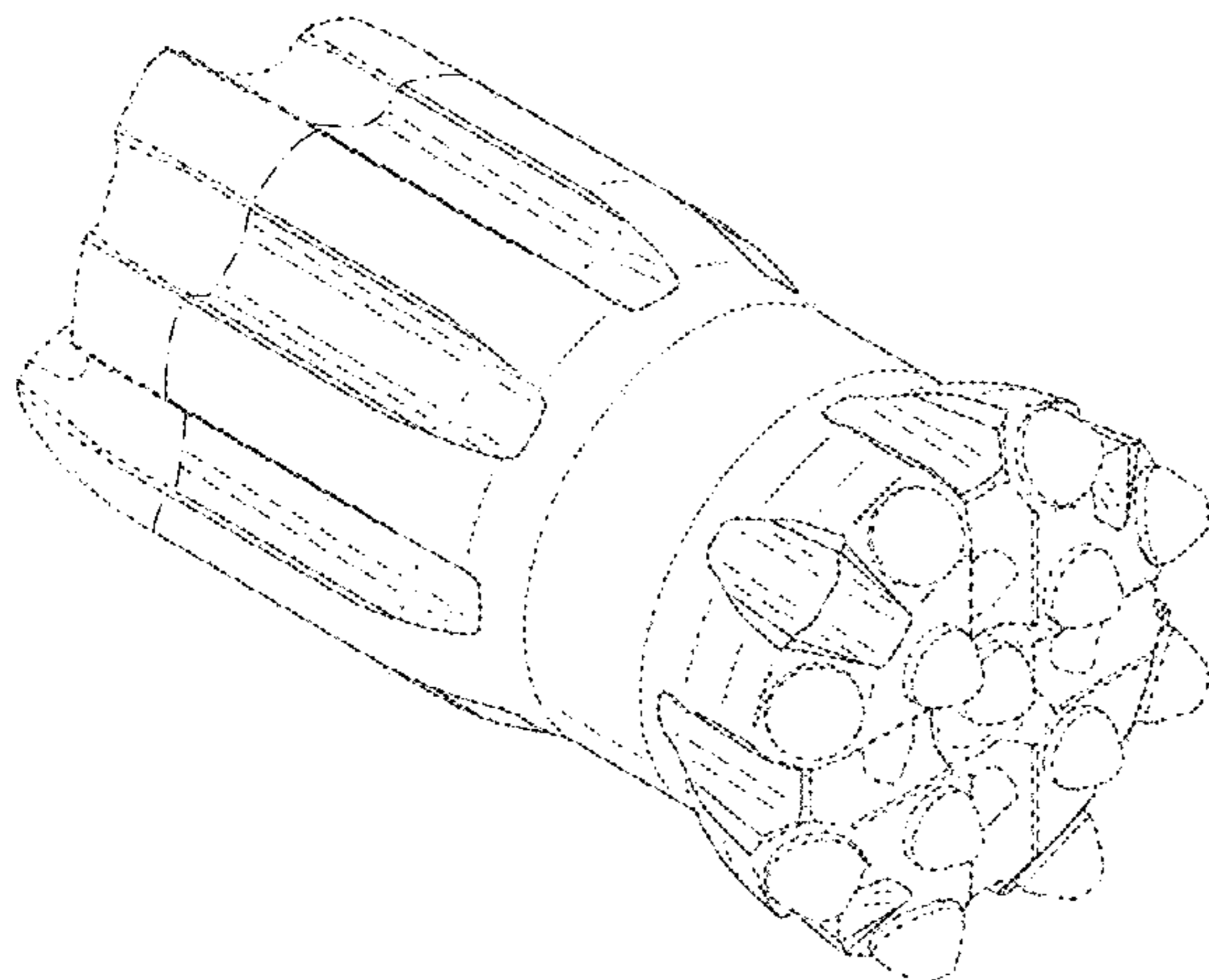
FIG. 14 is a left side elevational view thereof.

FIG. 15 is a front elevational view thereof; and,

FIG. 16 is a rear elevational view thereof.

The evenly-broken dash-dash lines in the views depict environmental features for illustrative purposes only and form no part of the claimed design. The broken dot-dash lines in the views define peripheral boundaries of the claimed design and are not part of the claimed design.

1 Claim, 16 Drawing Sheets



(56)

References Cited

U.S. PATENT DOCUMENTS

D441,380	S	*	5/2001	Hamilton	D15/139
D454,143	S		3/2002	Angsberg		
D457,535	S	*	5/2002	Hamilton	D15/21
D496,948	S		10/2004	Charland		
6,799,648	B2		10/2004	Brandenberg		
7,117,939	B1		10/2006	Hawley		
7,281,594	B2		10/2007	Hadin		
7,290,626	B2		11/2007	Terlet		
7,296,641	B2		11/2007	Hadin		
D611,512	S		3/2010	Sundin		
D611,970	S		3/2010	Sundin		
D705,827	S		5/2014	Hammargren		
D725,164	S		3/2015	Guerrero		
2002/0153174	A1		10/2002	Linden		
2004/0040752	A1		3/2004	Brandenberg		
2006/0060389	A1		3/2006	Hadin		
2006/0162965	A1		7/2006	Hadin		
2007/0137900	A1		6/2007	Bjork		

OTHER PUBLICATIONS

Australian Government Certificate of Examination (Issuance), Reference No. 171028; Design 201516038; Atlas Copco Secoroc AB; entitled Rock Drill Bit; dated Aug. 22, 2017, Registration No. 365591.

Australian Government Design Examination Report No. 1; Reference No. 171029; Design 20156039; Atlas Copco Secoroc AB; entitled Rock Drill Bit; dated Apr. 27, 2017.

Australian Government Certificate of Examination (Issuance), Reference No. 171029; Design 201516039; Atlas Copco Secoroc AB; entitled Rock Drill Bit; dated Aug. 22, 2017, Registration No. 365592.

Australian Government Design Examination Report No. 1; Reference No. 171030; Design 20156040; Atlas Copco Secoroc AB; entitled Rock Drill Bit; dated Apr. 27, 2017.

Australian Government Certificate of Examination (Issuance), Reference No. 171030; Design 201516040; Atlas Copco Secoroc AB; entitled Rock Drill Bit; dated Aug. 22, 2017, Registration No. 365593.

A15003_Urval av borrhonor fran produktkatalog 2003 from a catalogue issued in 2003 by Atlas Copco; 5 pages.

Atlas Copco Catalogue dated May 2015; Product Area—Tophammer; Sevcoroc Tophammer equipment-product catalogue; Drifting, Tunnelling and Bolting; pp. 39, 40, 46, 53, 56, 64, 65, 76, 81, 82, 87, 92, 95, 97 and 98.

Product Catalogue Sandvik Mining; Sandvik Top Hammer Rock Drilling Tools; issued 2013; 112 pages.

Tasarim Yayina Itiraz Talep Formu: Opposition Form received from Turkish Patent Office dated Mar. 21, 2016 for Corresponding Turkish Application 2015/07944.

English Google machine Translation of Opposition Form Tasarim Yayina Itiraz Talep Formu.

Itiraz Konusu: Opposition Petition received from Turkish Patent Office for corresponding Turkish Application No. 2015/07944.

English Google machine Translation of Opposition Petition Itiraz Konusu.

Evidence Page included with Opposition: D0611970—Rock Drill Bit.

* cited by examiner

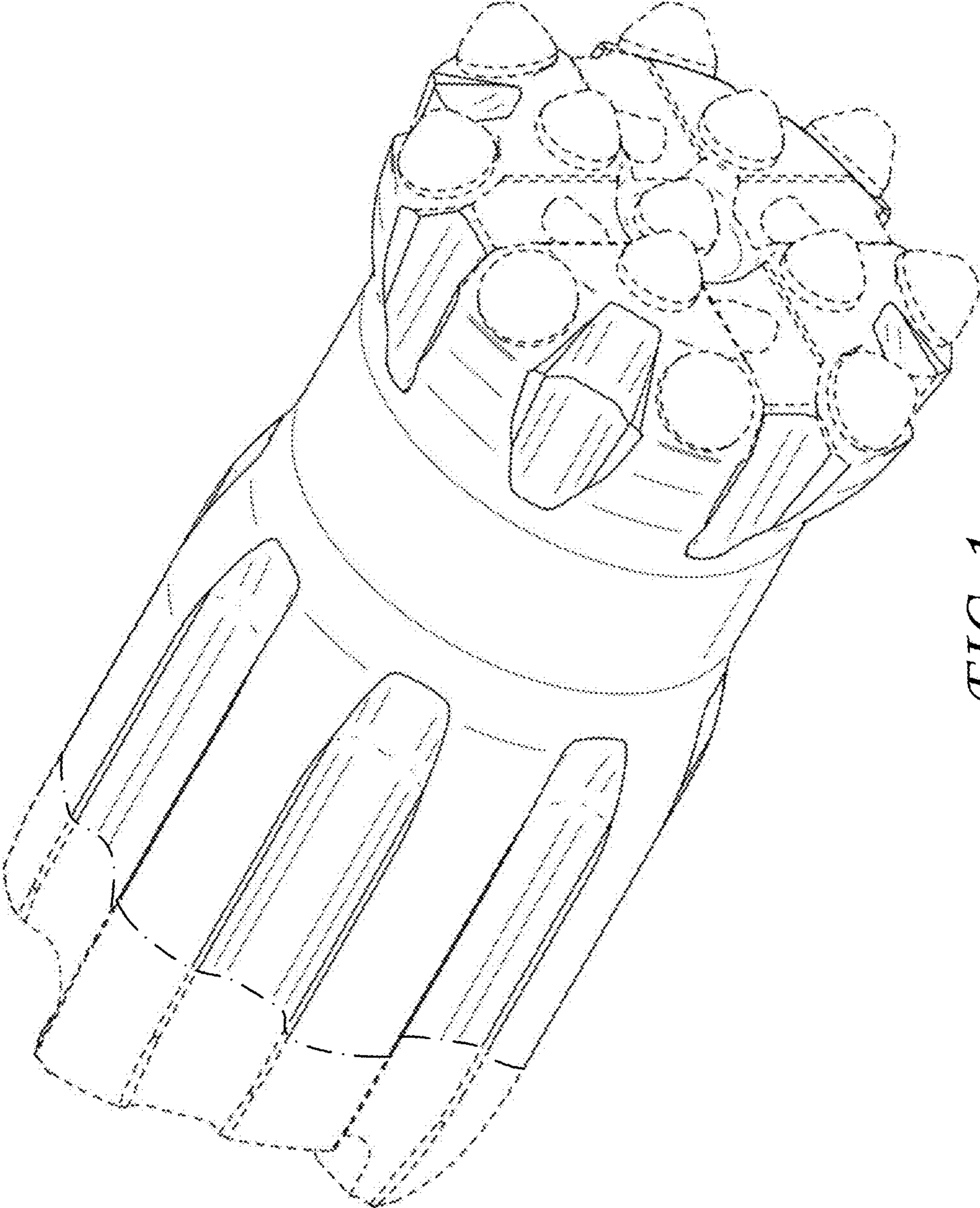


FIG. 1

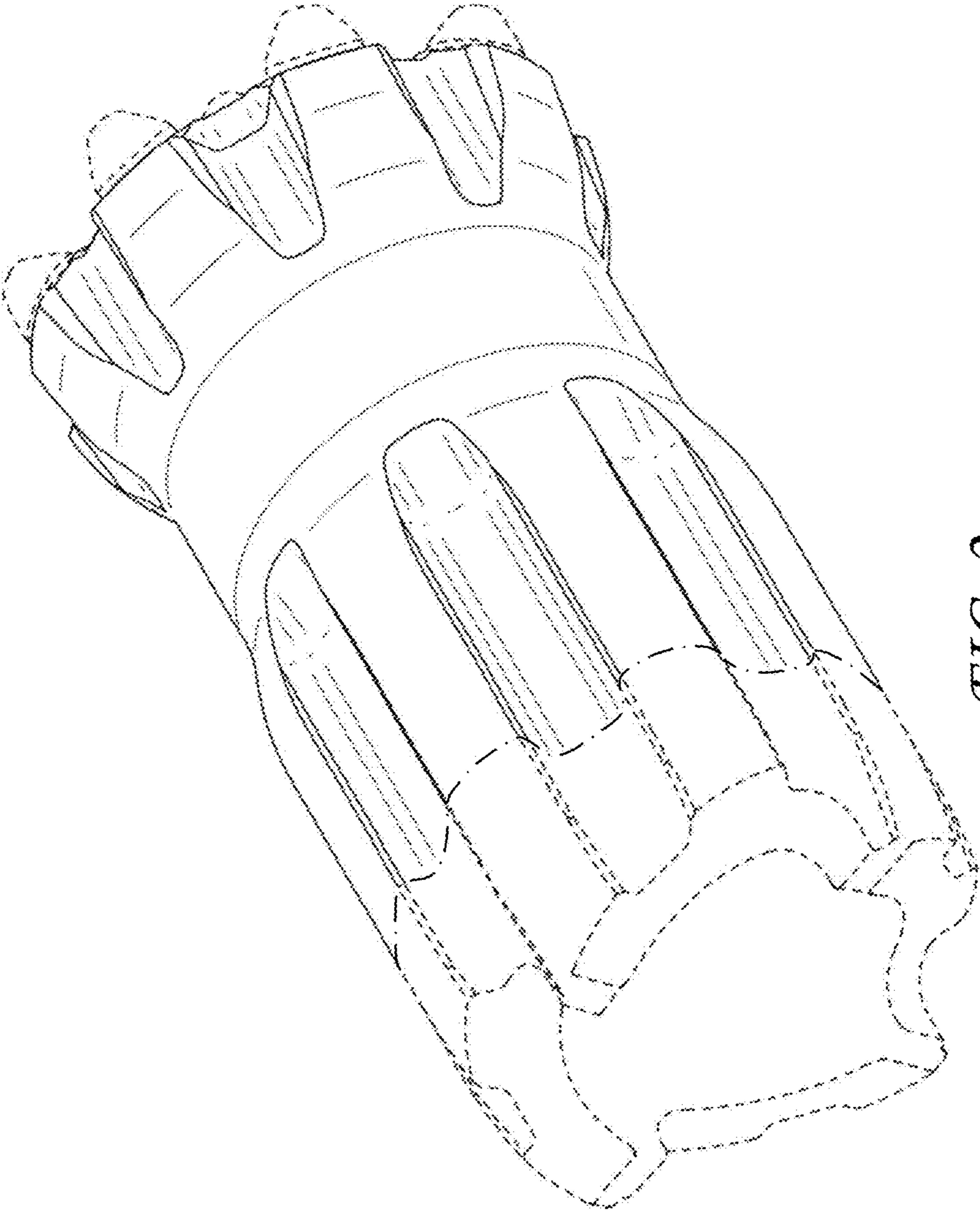


FIG. 2

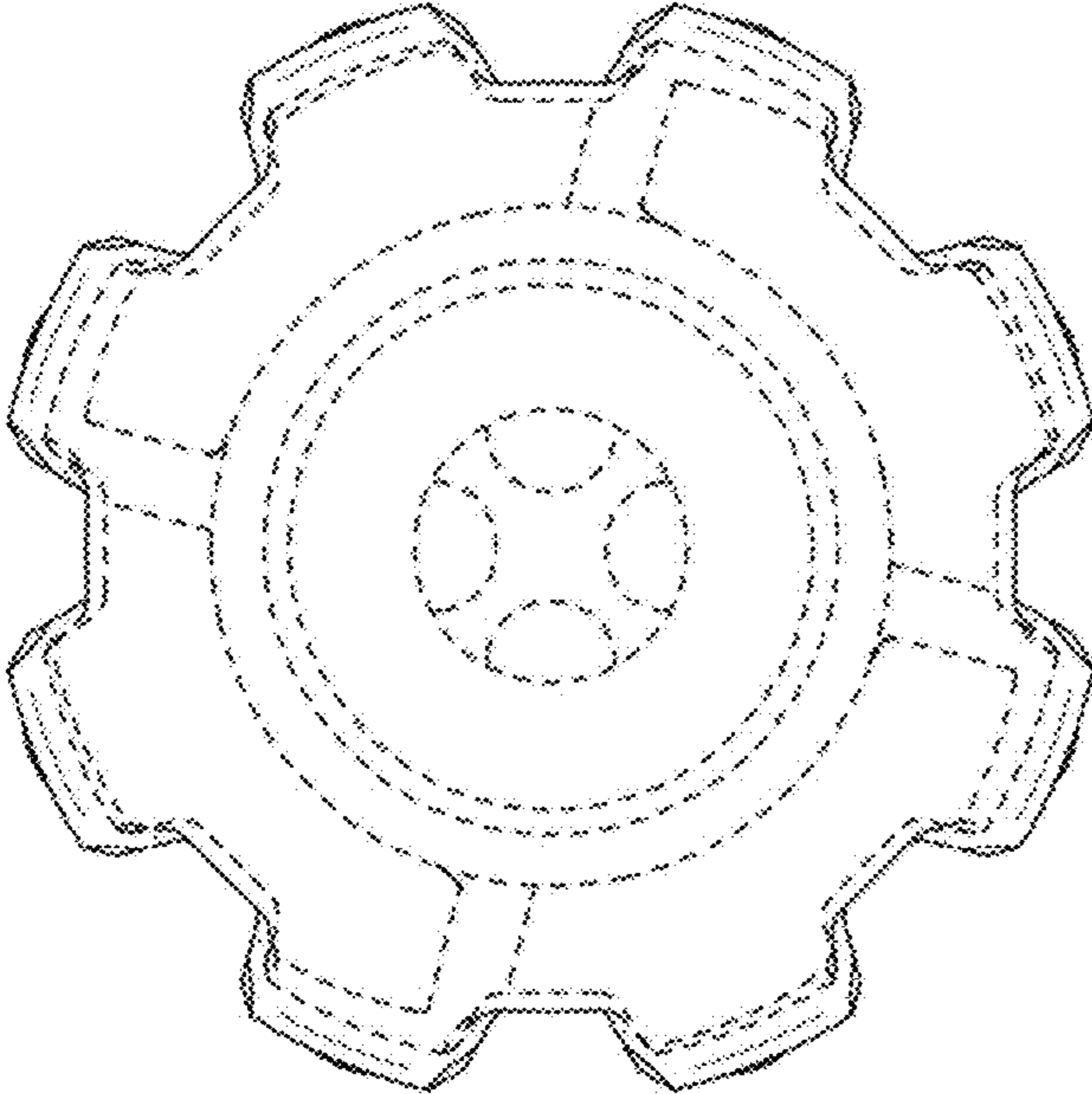


FIG. 3

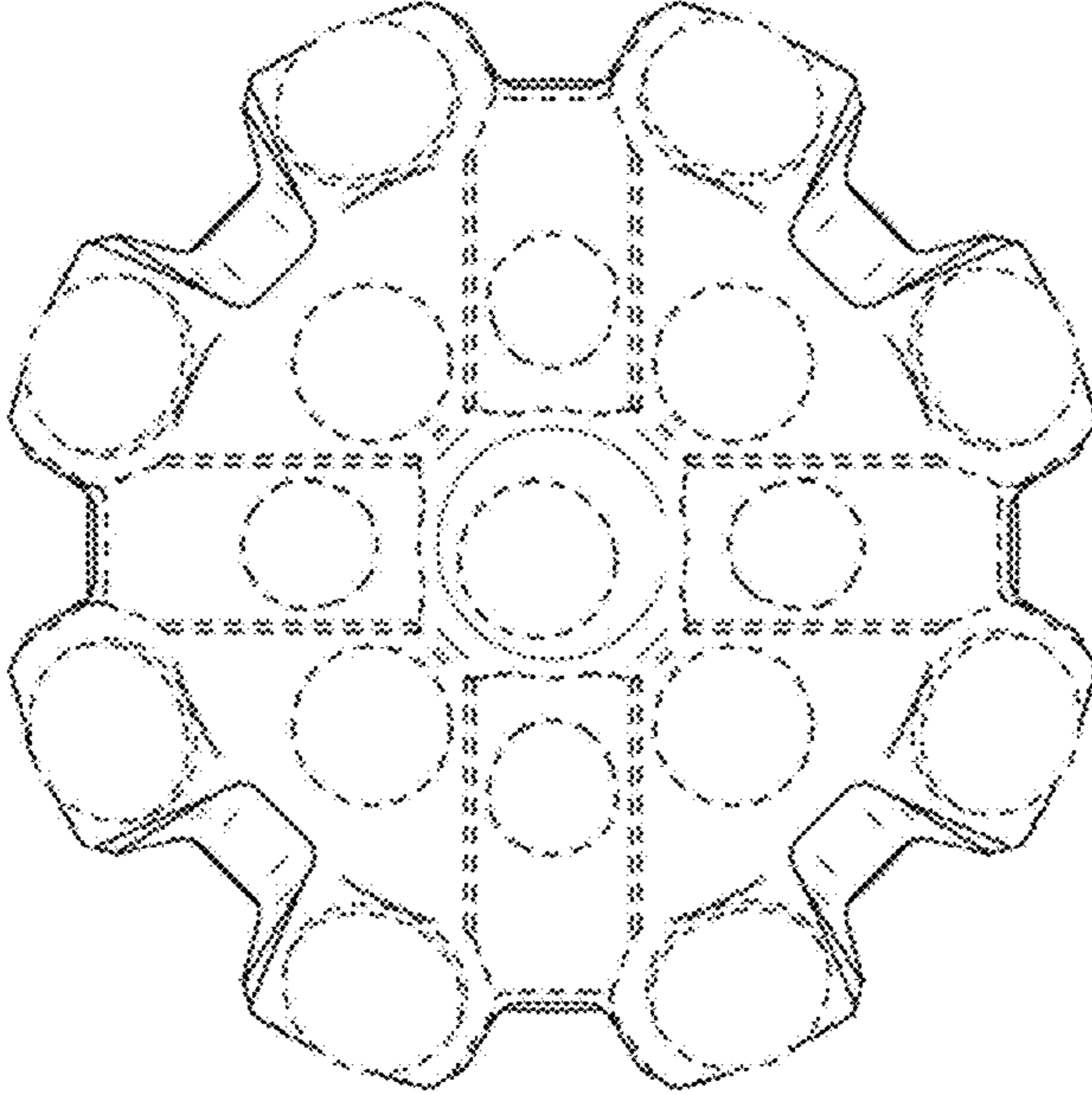


FIG. 4

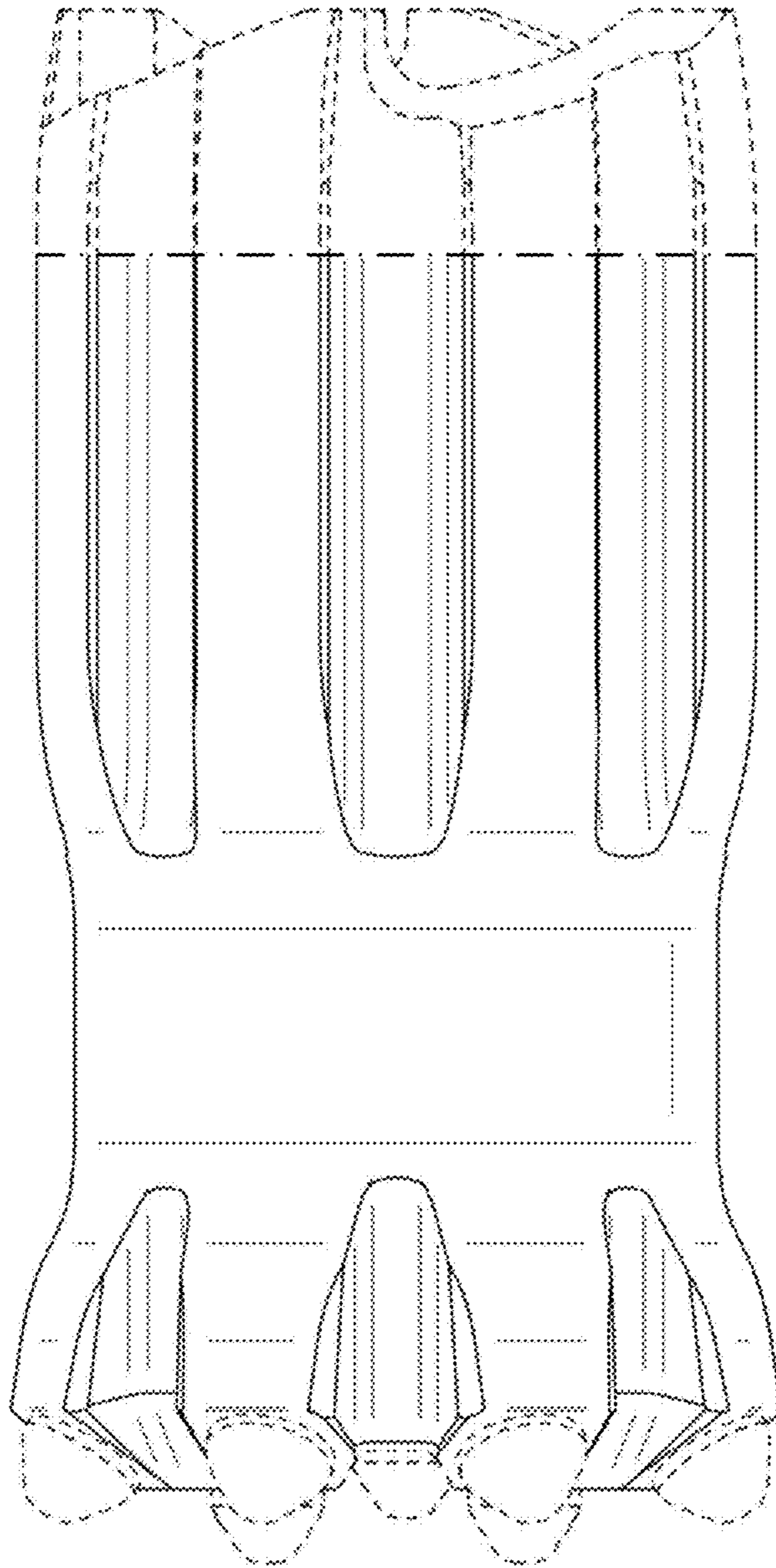


FIG. 5

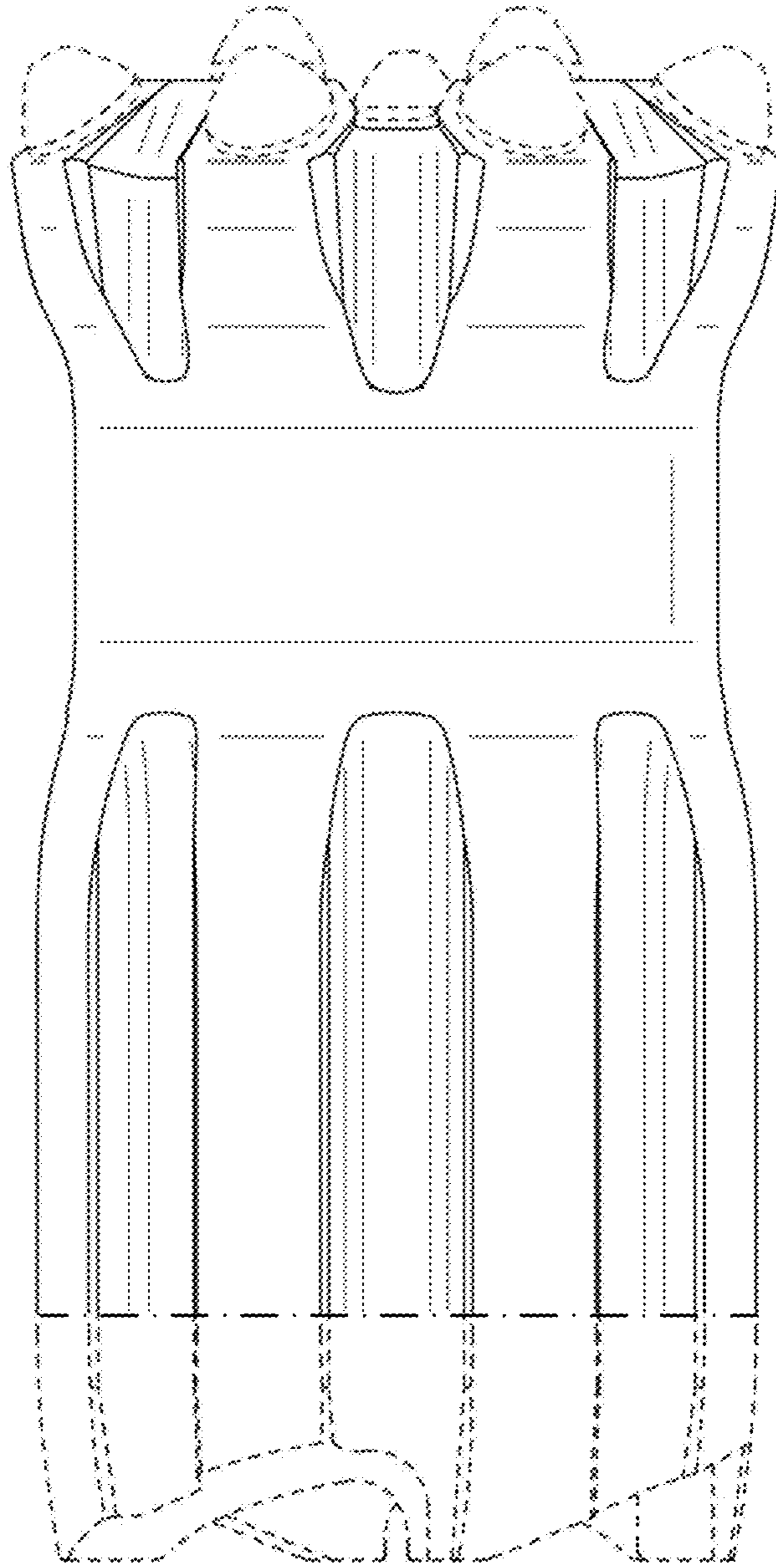


FIG. 6

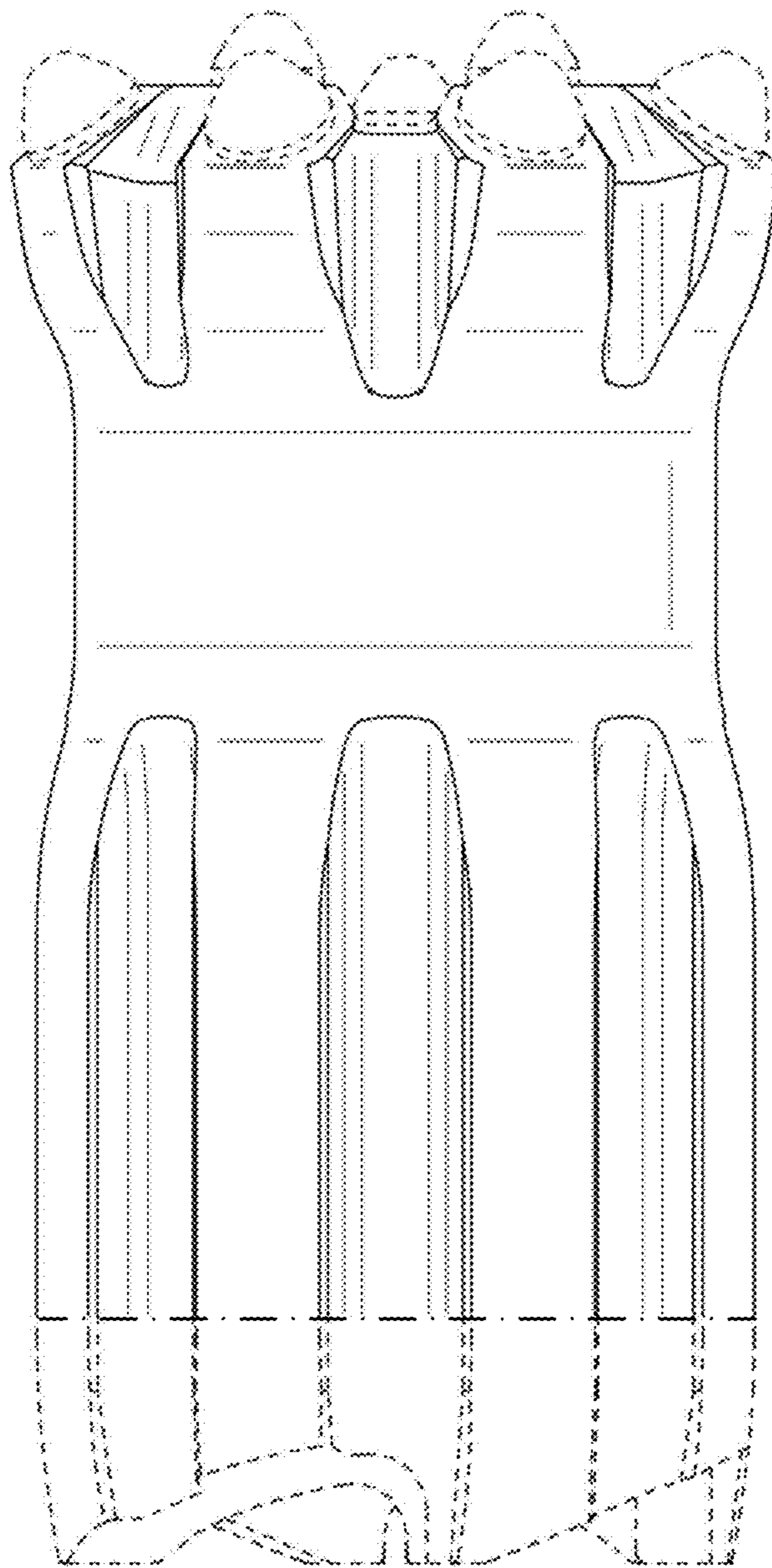


FIG. 7

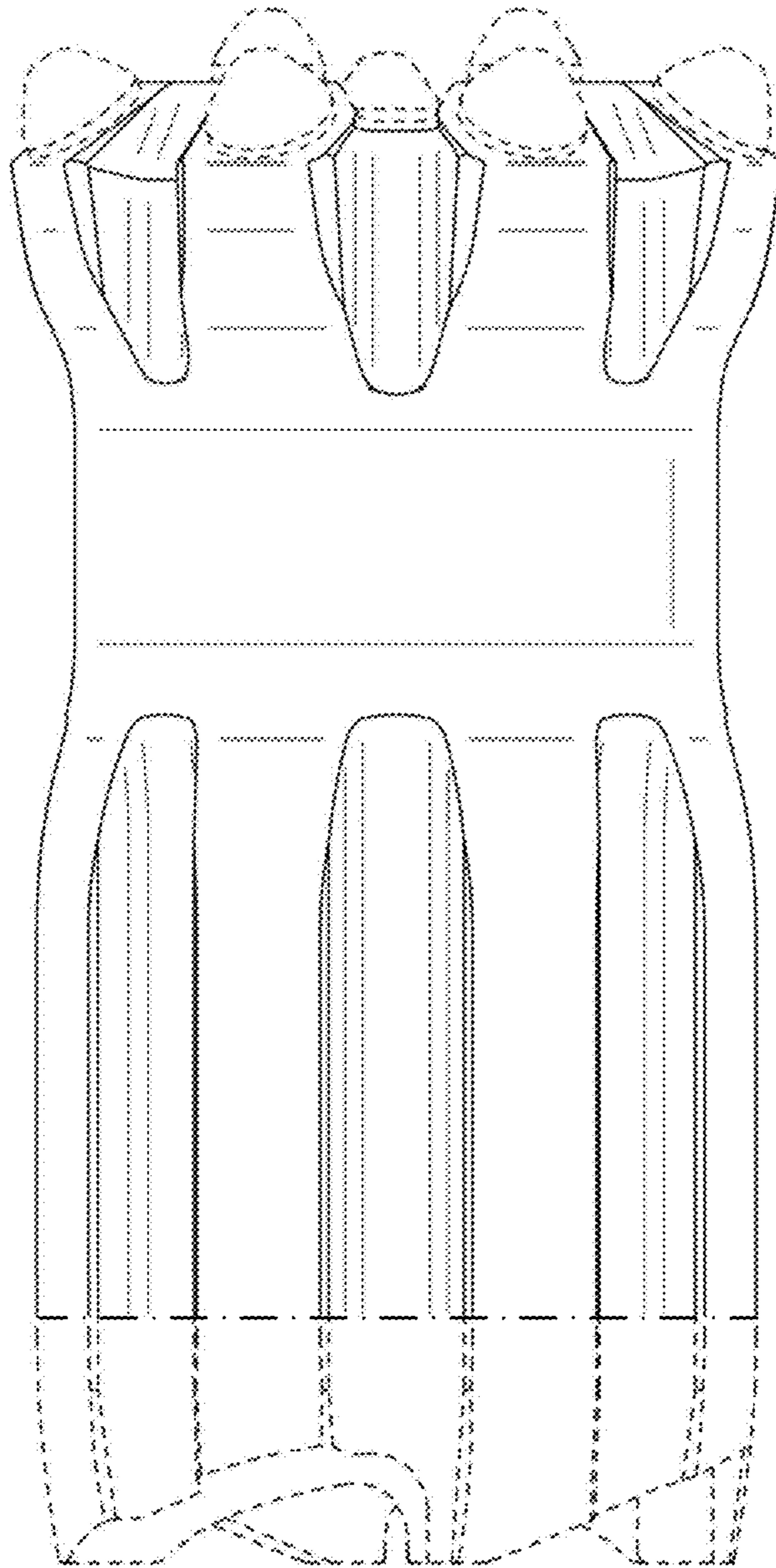


FIG. 8

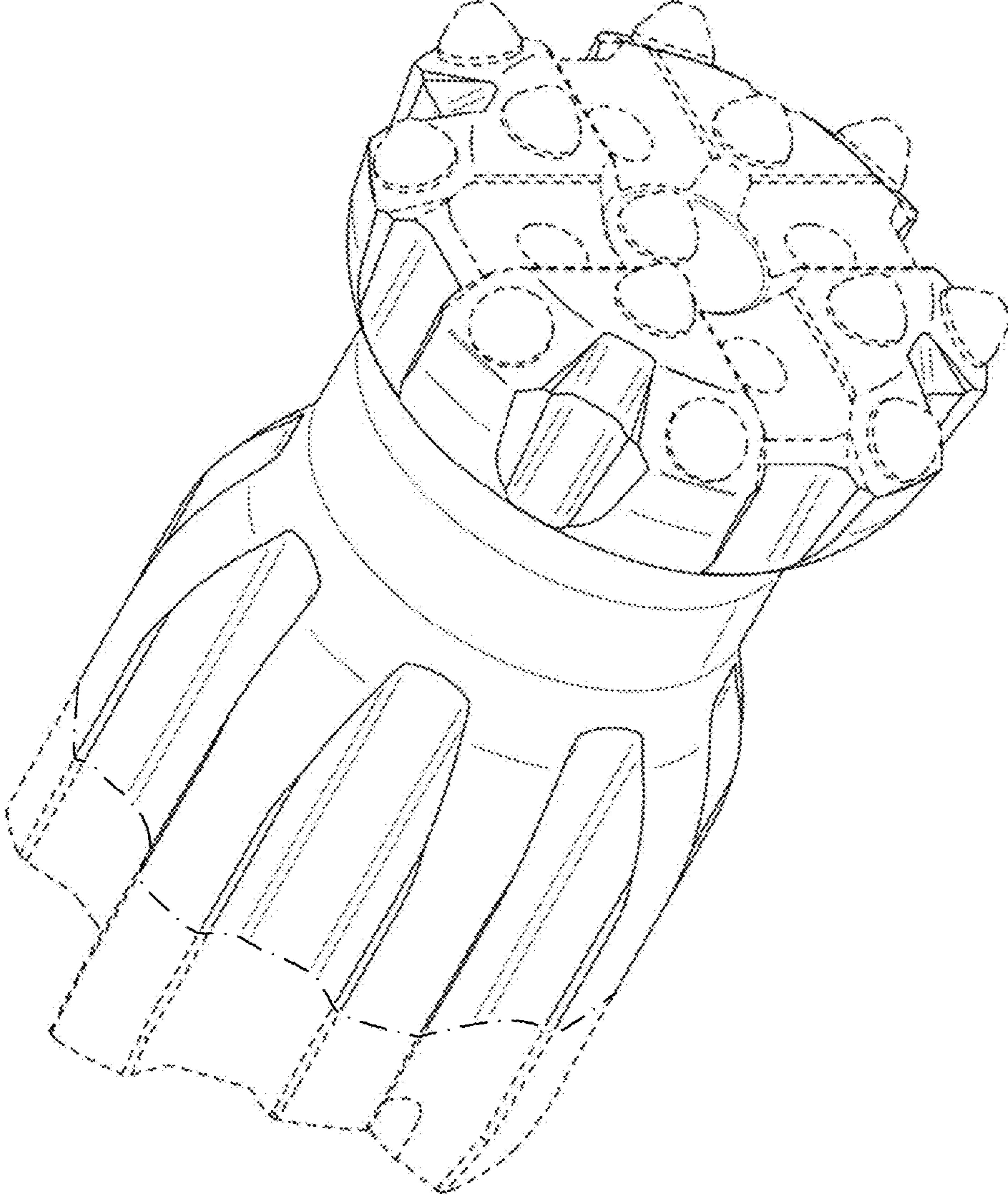


FIG. 9

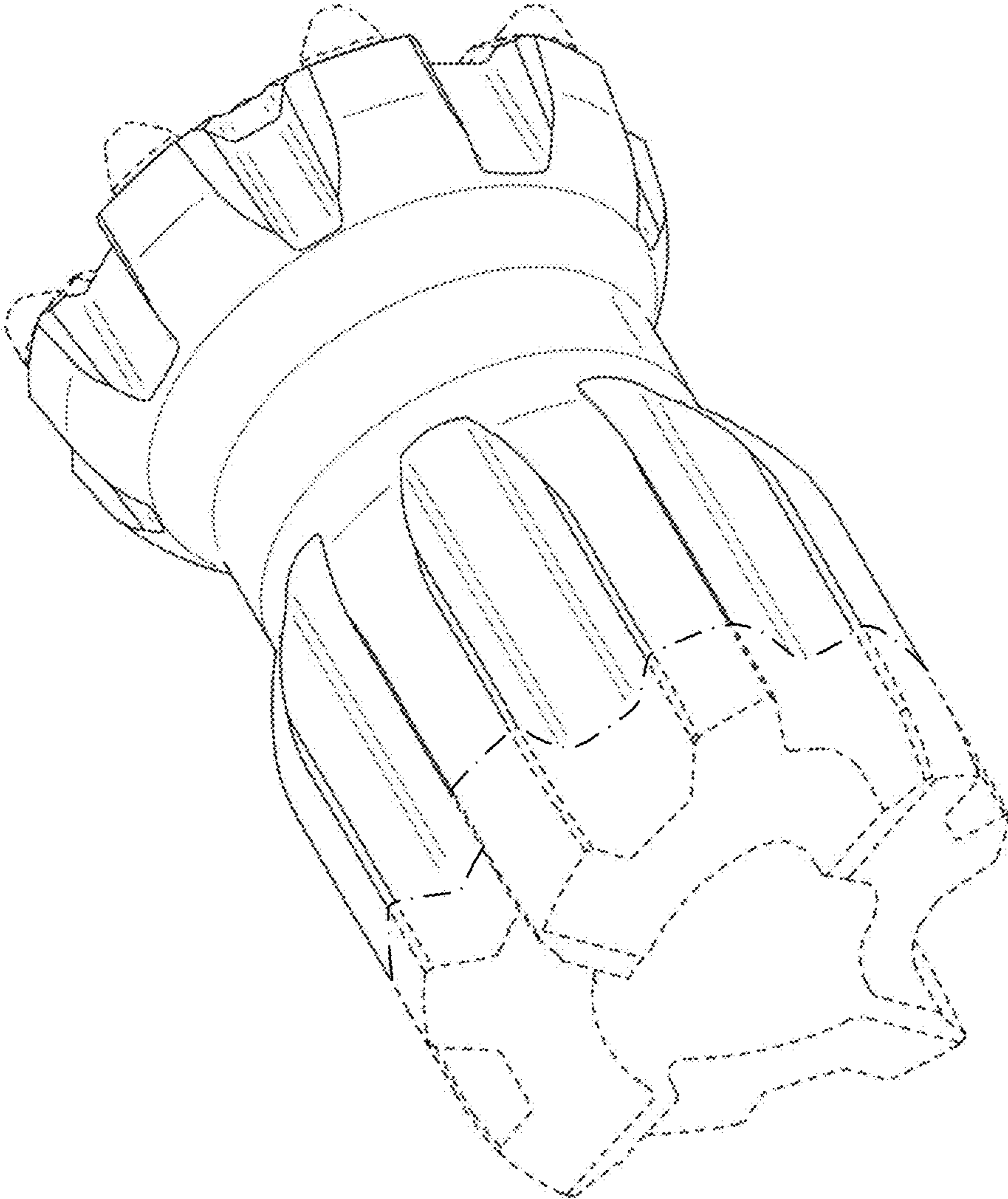


FIG. 10

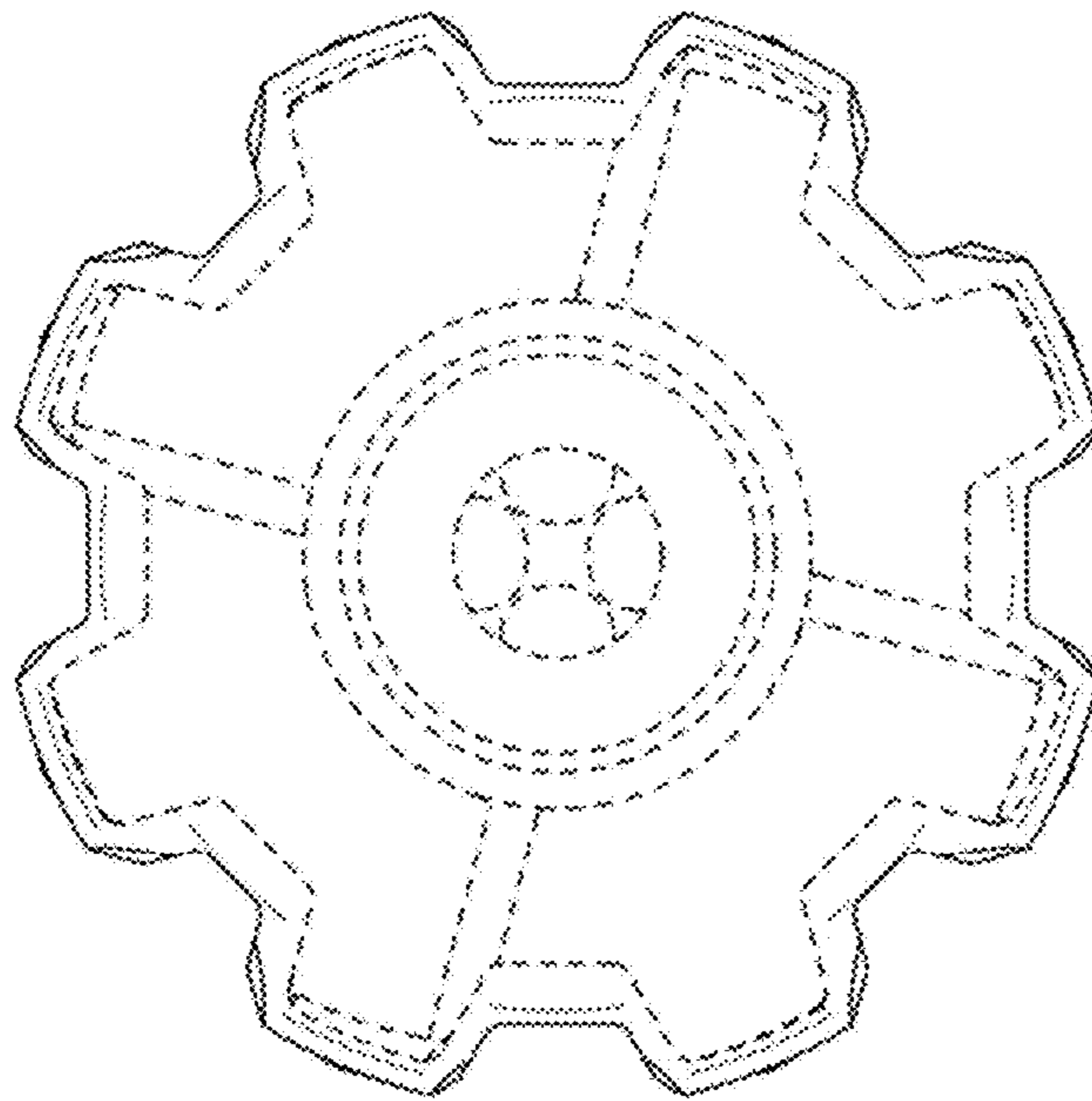


FIG. 11

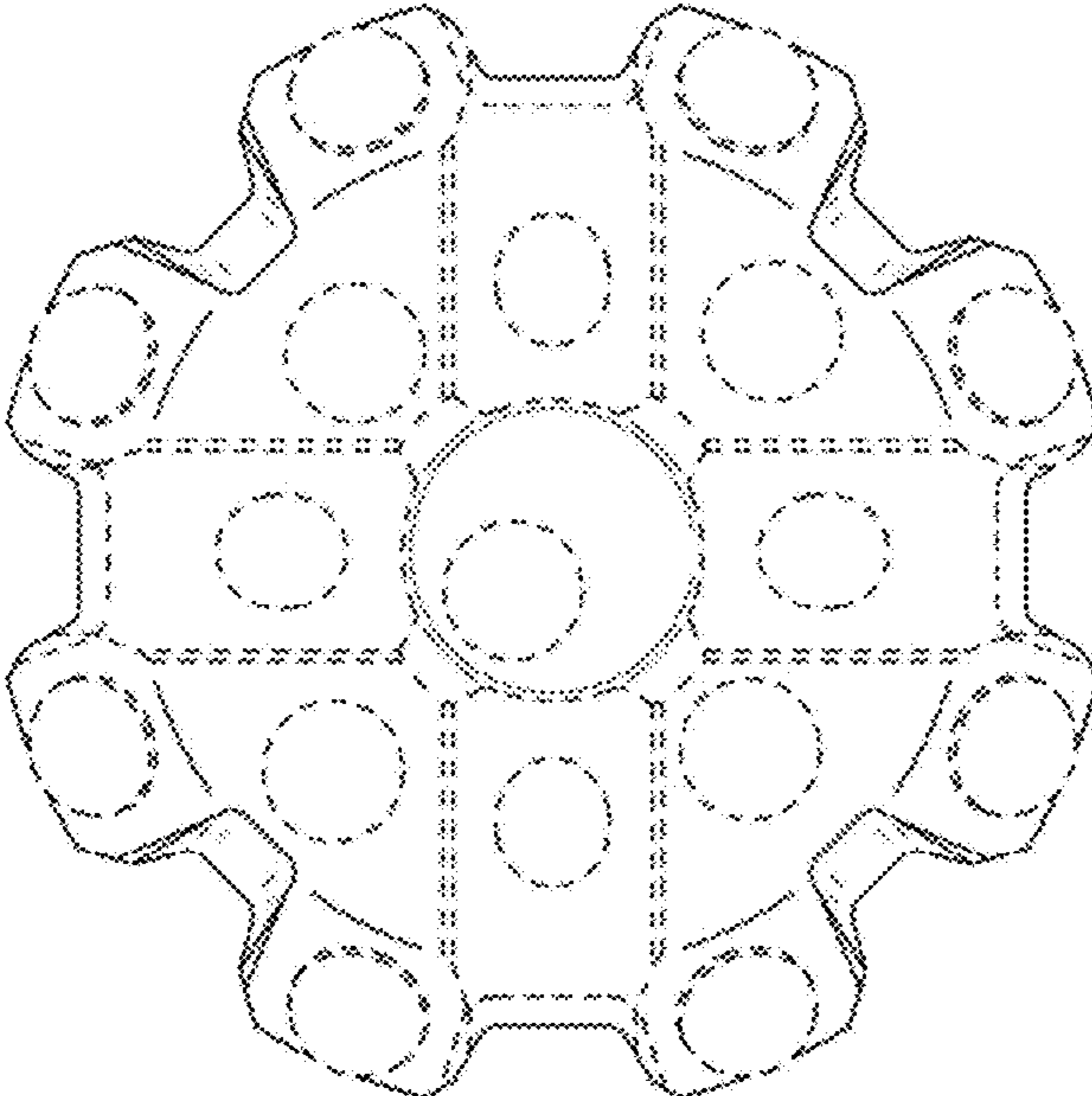


FIG. 12

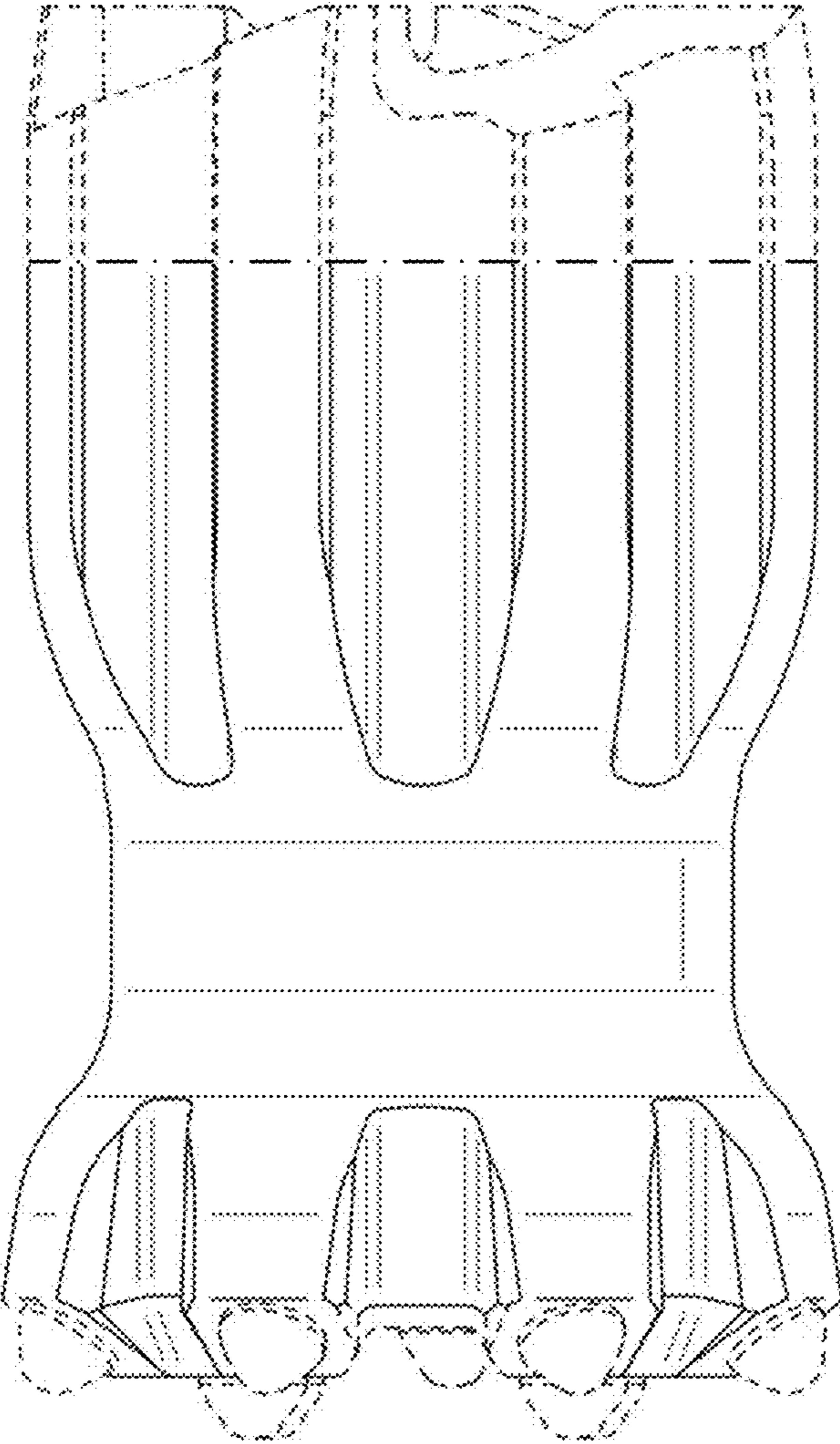


FIG. 13

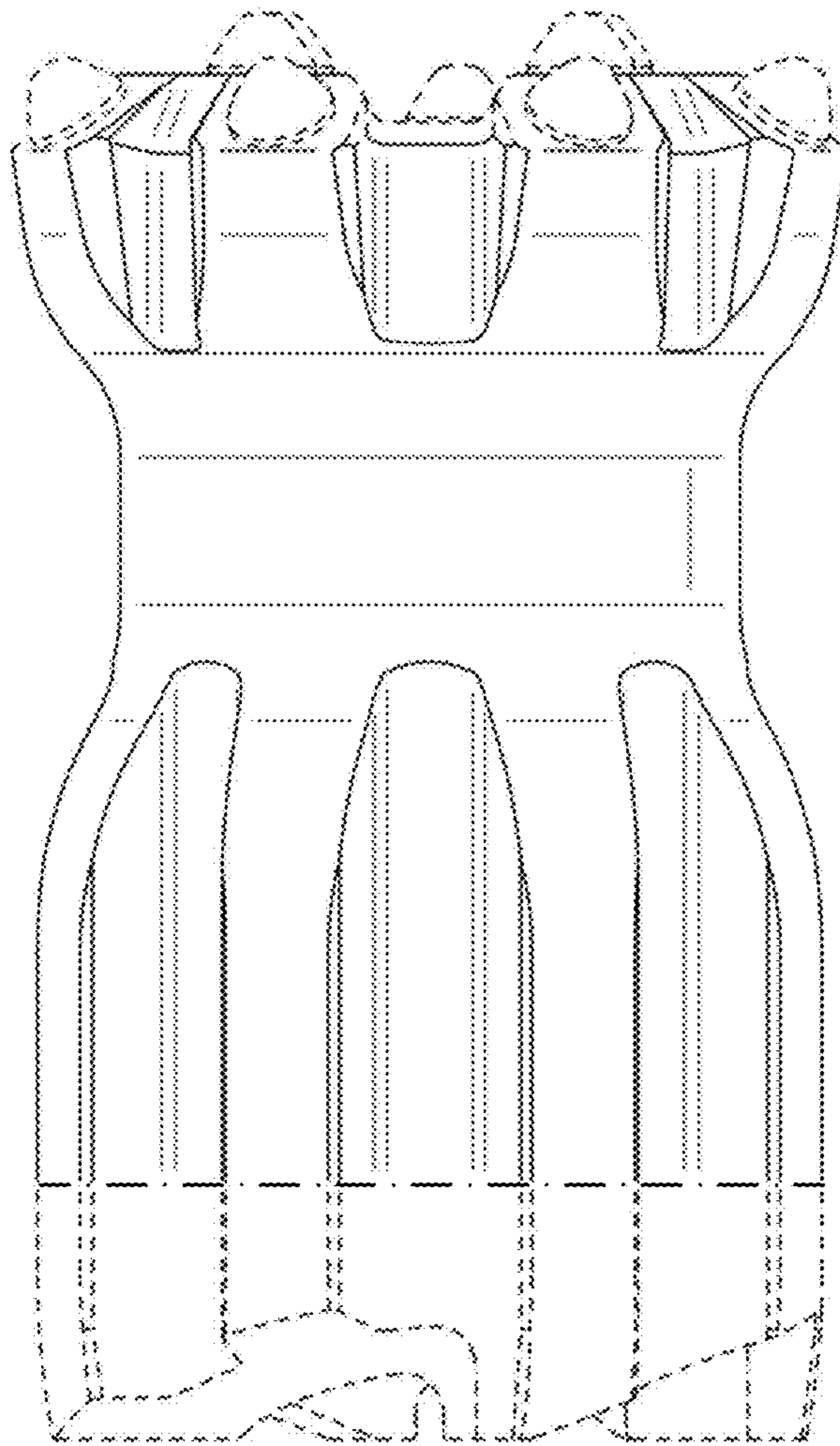


FIG. 14

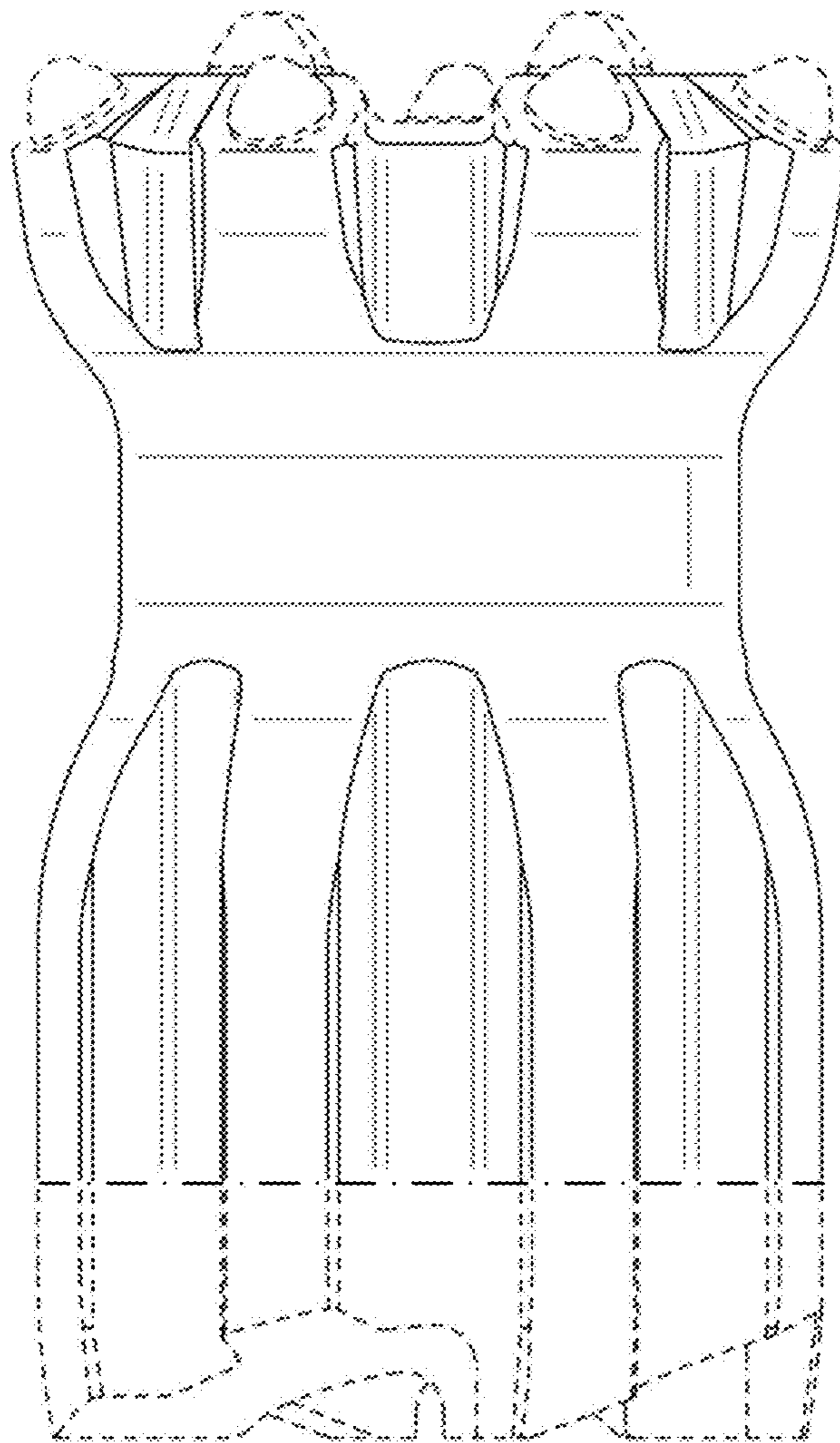


FIG. 15

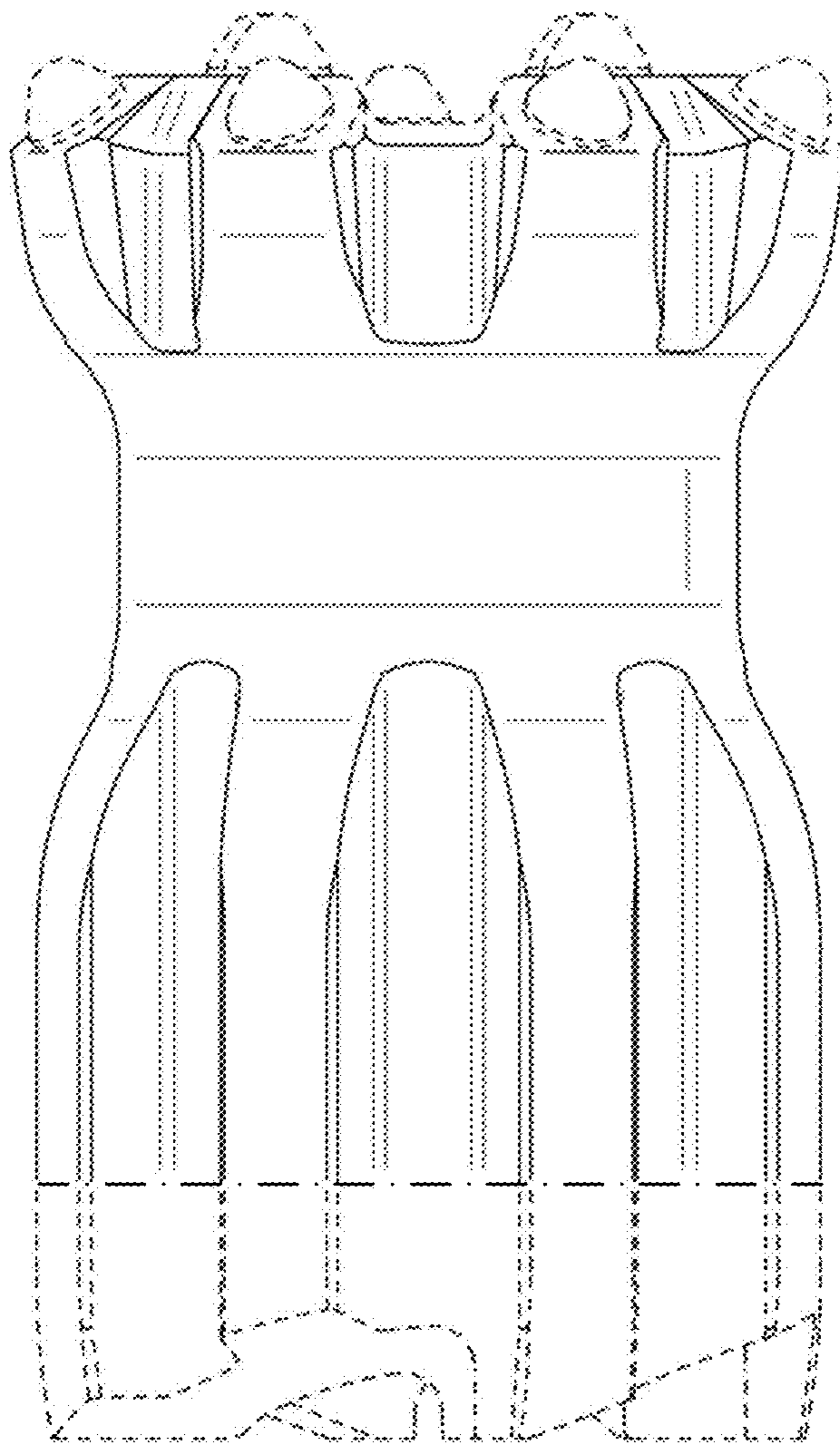


FIG. 16