



US00D831712S

(12) **United States Design Patent** (10) **Patent No.:** **US D831,712 S**  
**Williams et al.** (45) **Date of Patent:** **\*\* Oct. 23, 2018**

(54) **FLUID APPLICATION DEVICE**  
(71) Applicants: **Craig A. Williams**, Maumee, OH (US);  
**Charles J. Barnhart**, Toledo, OH (US)  
(72) Inventors: **Craig A. Williams**, Maumee, OH (US);  
**Charles J. Barnhart**, Toledo, OH (US)

(73) Assignee: **Designetics, Inc.**, Holland, OH (US)

(\*\*) Term: **15 Years**

(21) Appl. No.: **29/581,105**

(22) Filed: **Oct. 17, 2016**

(51) **LOC (11) Cl.** ..... **15-03**

(52) **U.S. Cl.**  
USPC ..... **D15/138**

(58) **Field of Classification Search**  
USPC ..... D15/138-143, 199; D23/213; D9/723,  
D9/724, 725, 434, 435, 499  
CPC ..... B05C 1/00; B05C 1/06; B05C 5/0254;  
B05C 17/00; B05C 17/002; B05C 1/0808;  
B05C 11/02; B05C 11/023; B05C  
11/1002; B05C 11/1034; B05C 13/00;  
B05C 13/02; B05C 17/00553; B05C  
17/00566; B05C 17/00576; B05C  
17/00583; B05C 17/00596; B05C 17/01;  
B05C 17/0116; B05C 17/0308; B05C  
17/0341; B05C 17/0357; B05C 17/12;  
B05C 1/02; B05C 1/027; B05C 1/04;  
B05C 3/00; B05C 5/0212; B05C 5/025;  
B05C 9/08

See application file for complete search history.

(56) **References Cited**

**U.S. PATENT DOCUMENTS**

4,030,341 A \* 6/1977 Sullivan ..... G01N 1/2813  
73/61.54

5,193,928 A \* 3/1993 Balzer ..... B05C 17/002  
222/83  
D688,953 S \* 9/2013 Korper ..... D28/7  
D751,645 S \* 3/2016 Manning, Jr. .... D19/202  
D772,314 S \* 11/2016 Williams ..... D15/138  
2008/0289128 A1\* 11/2008 Billig ..... A47L 1/08  
15/104.94

\* cited by examiner

*Primary Examiner* — Ian Simmons

*Assistant Examiner* — Khawaja Anwar

(74) *Attorney, Agent, or Firm* — Donald K. Wedding

(57) **CLAIM**

The ornamental design for a fluid application device, as shown and described.

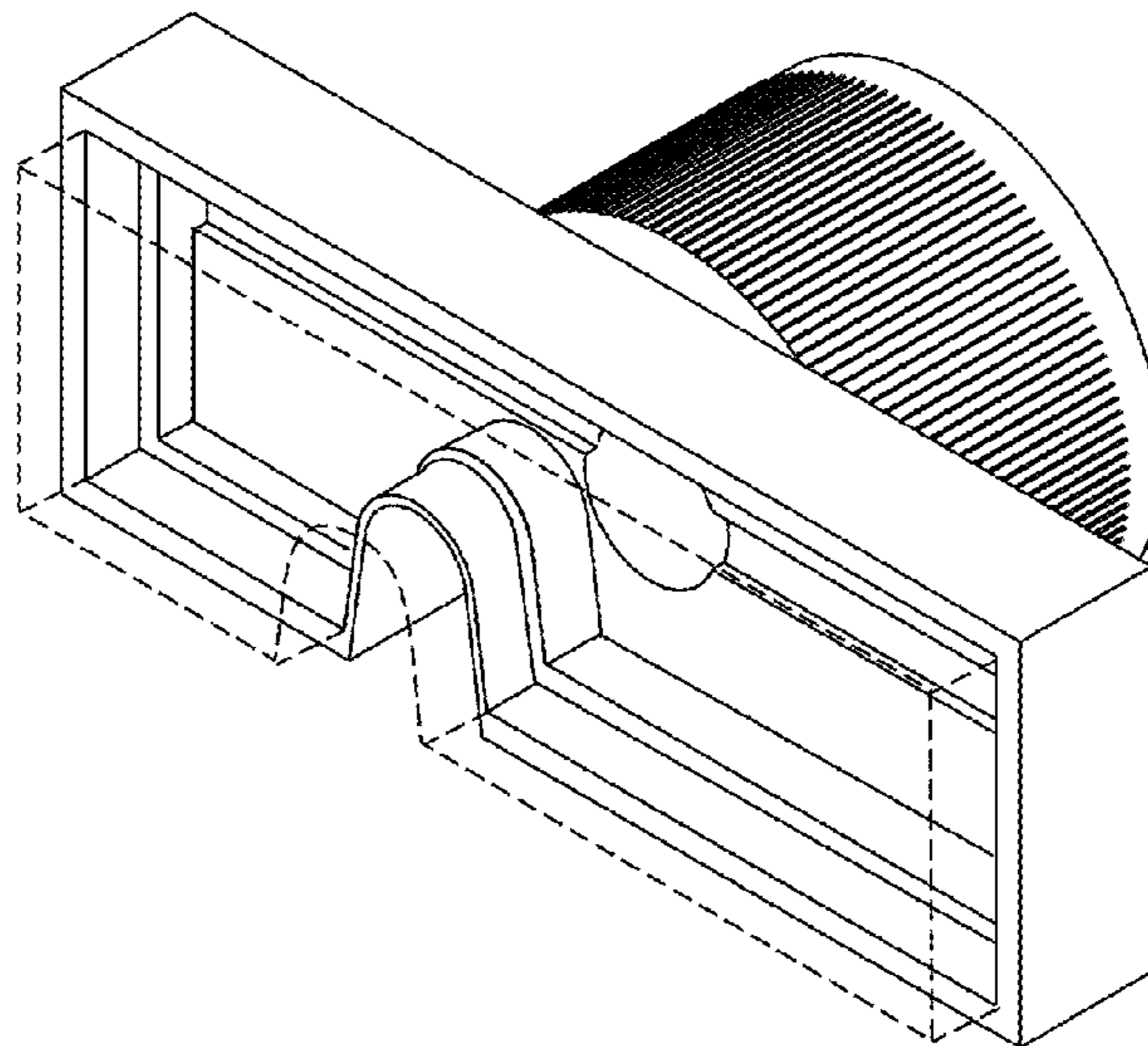
**DESCRIPTION**

FIG. 1 is a perspective view of a fluid application device, showing our new design;  
FIG. 2 is a top view thereof, shown without environment;  
FIG. 3 is a front elevation view thereof;  
FIG. 4 is a back elevation view thereof;  
FIG. 5 is a bottom plan view thereof; and,  
FIG. 6 is a left side elevation view thereof, the right side being a mirror image thereto.

The fluid application device is used to apply a fluid to a surface with a notch.

The broken lines shown in the figure drawings represent unclaimed environment and form no parts of the claimed design.

**1 Claim, 2 Drawing Sheets**



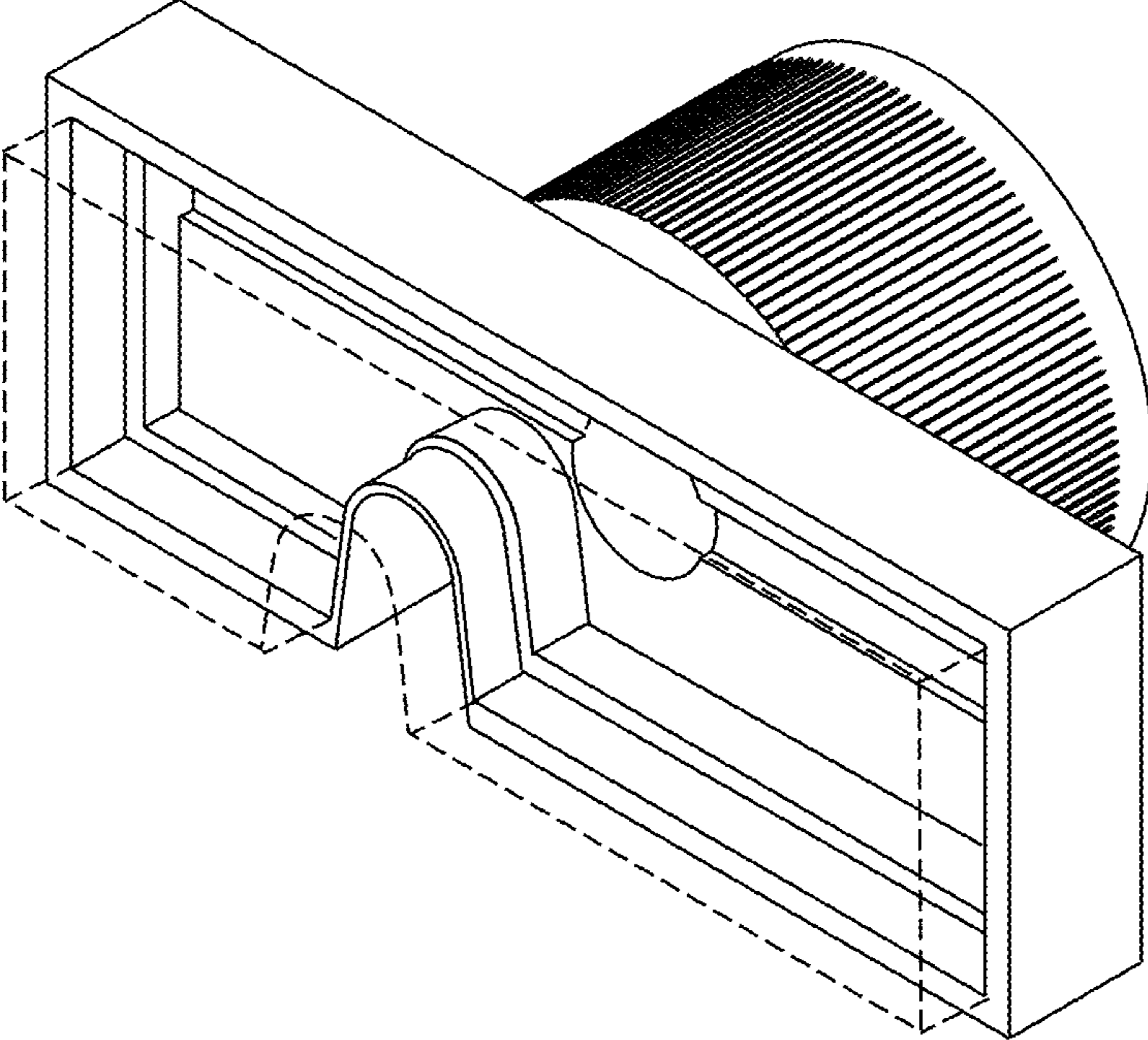


FIG. 1

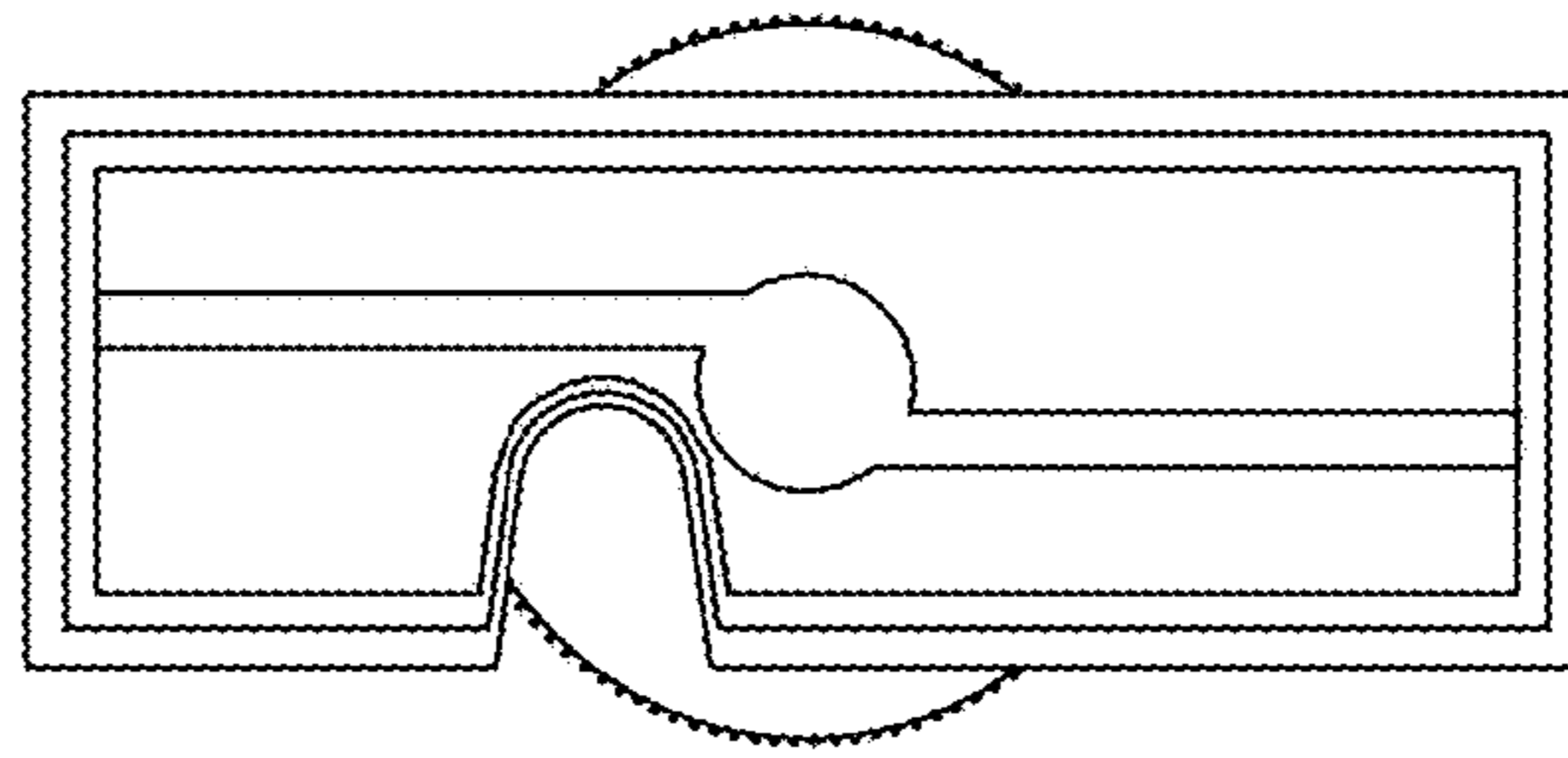


FIG. 2

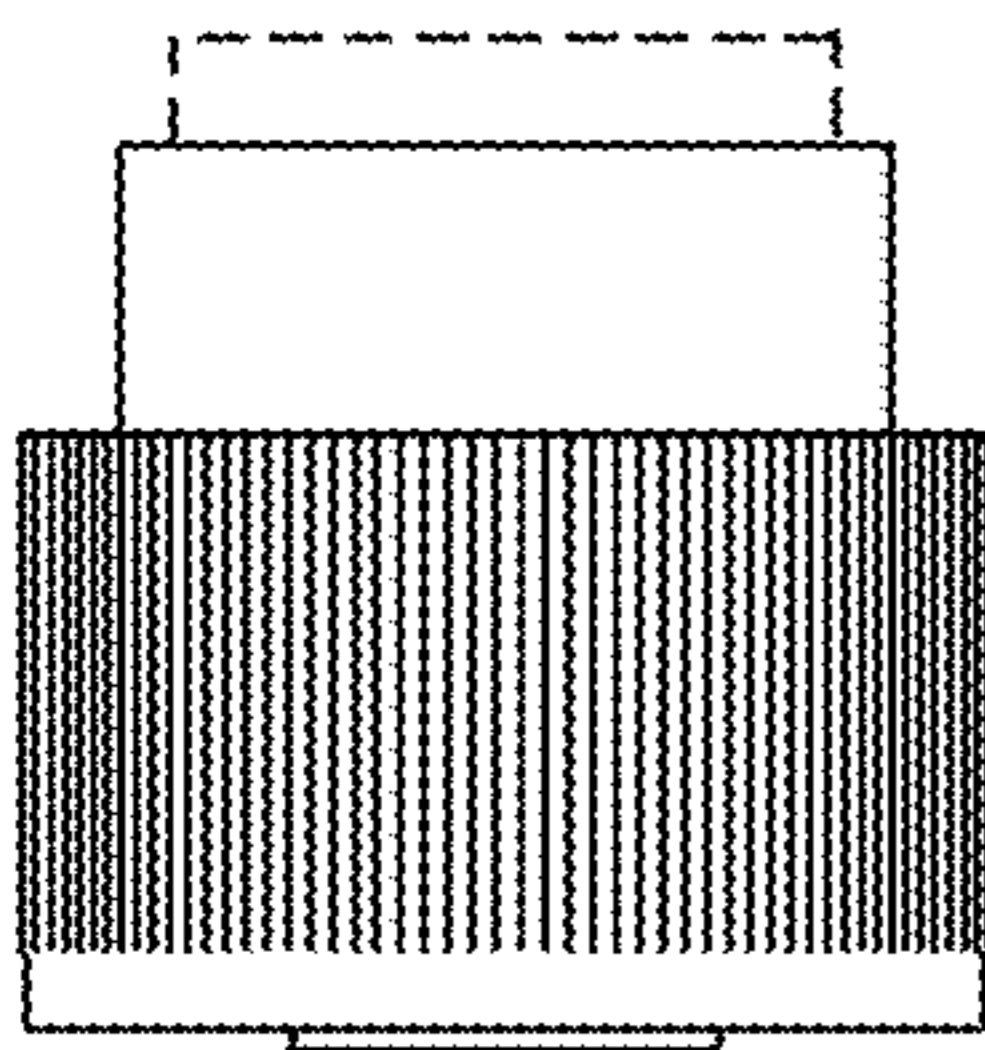


FIG. 6

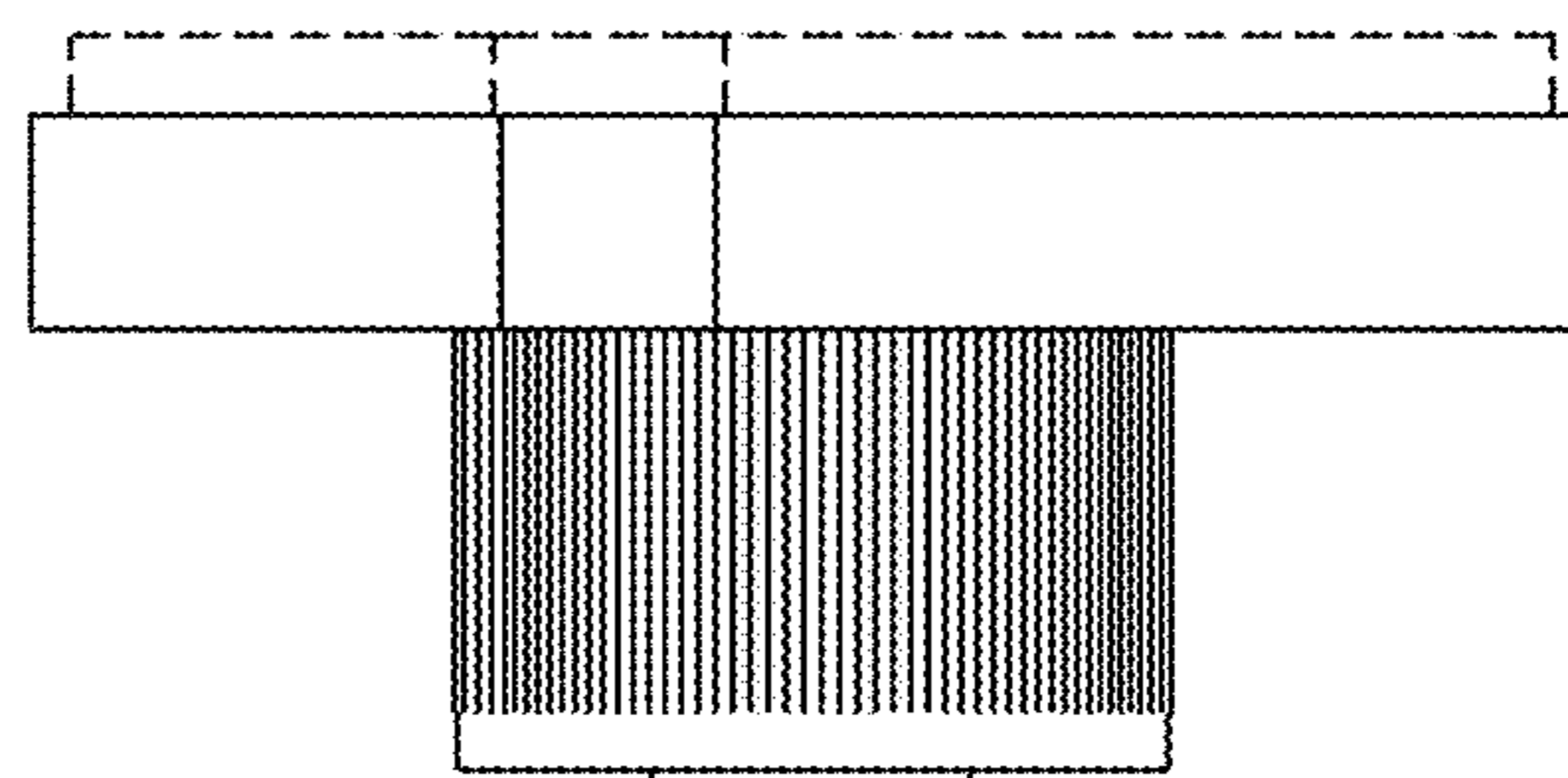


FIG. 3

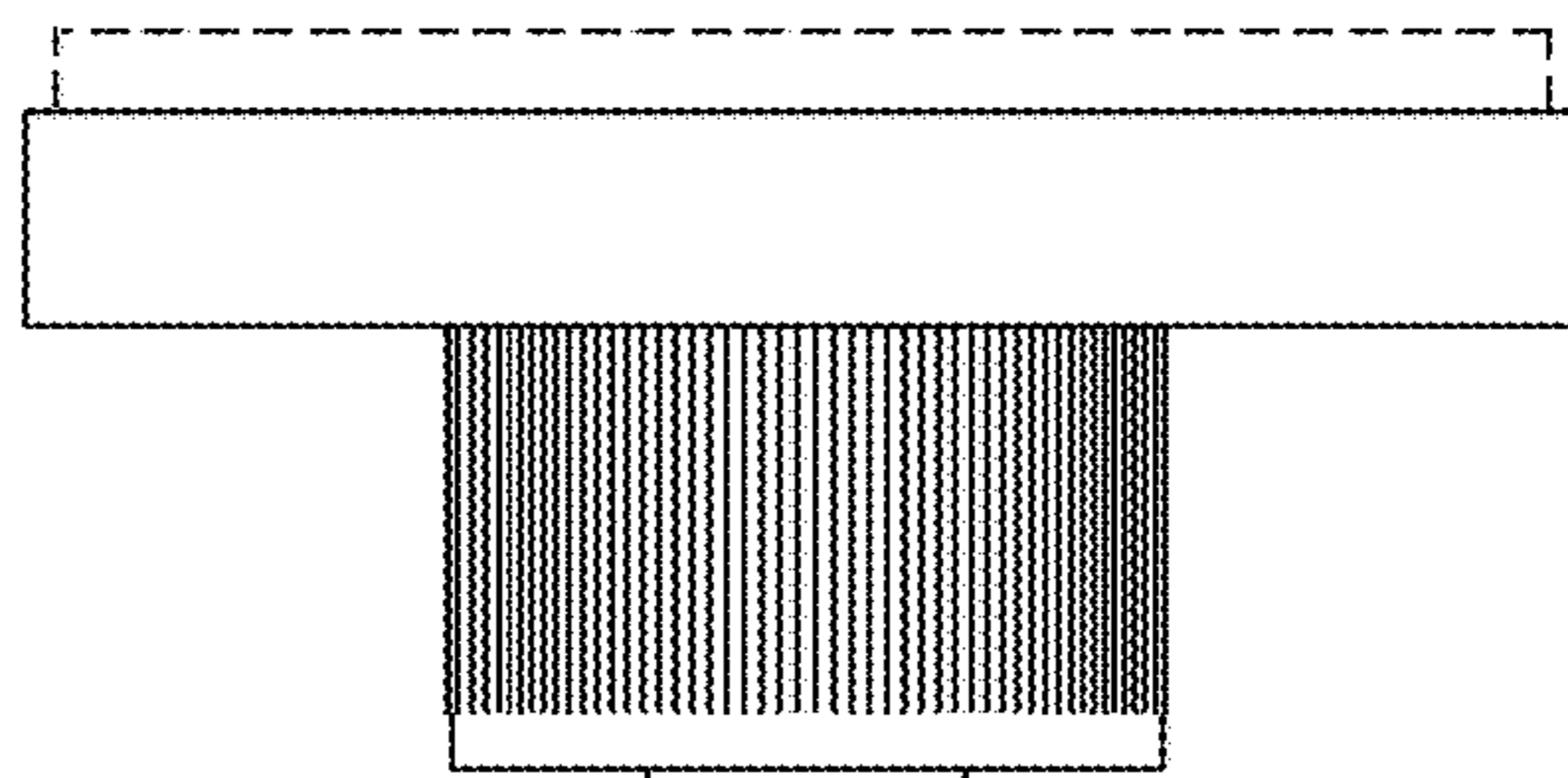


FIG. 4

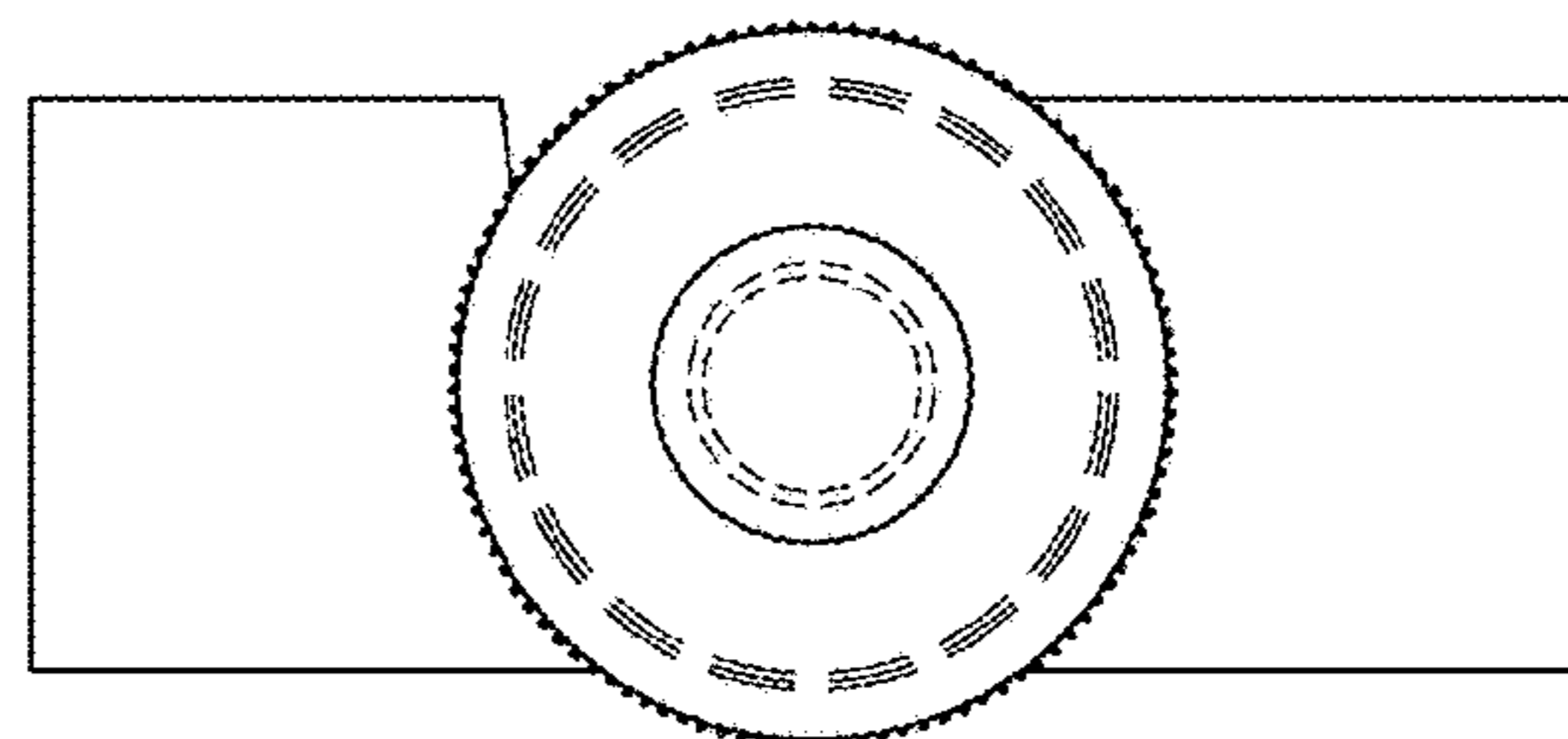


FIG. 5