

US00D831710S

(12) **United States Design Patent**  
**Imsand et al.**

(10) **Patent No.:** **US D831,710 S**

(45) **Date of Patent:** **\*\* Oct. 23, 2018**

(54) **POWER TOOL**

(71) Applicant: **Black & Decker Inc.**, New Britain, CT (US)

(72) Inventors: **Nicholas R. Imsand**, Baltimore, MD (US); **Daniel N. Lopano**, Bel Air, MD (US); **Christian V. Elder**, Baltimore, MD (US)

(73) Assignee: **BLACK & DECKER INC.**, New Britain, CT (US)

D539,626	S	*	4/2007	Roberts	.....	D8/66
D572,989	S	*	7/2008	Netzler	.....	D8/66
D572,990	S	*	7/2008	Netzler	.....	D8/66
D580,249	S	*	11/2008	Netzler	.....	D8/66
D649,568	S	*	11/2011	Zhou	.....	D15/133
D686,645	S	*	7/2013	Rees	.....	D15/133
D688,714	S	*	8/2013	Firth	.....	D15/133
D703,019	S	*	4/2014	Faile, Jr.	.....	D8/66
D731,869	S	*	6/2015	Hoggarth	.....	D8/66
9,283,628	B2	*	3/2016	Gehret	.....	B23D 45/044
D757,830	S	*	5/2016	Elder	.....	D15/133
D811,453	S	*	2/2018	Aoki	.....	D15/133
2005/0211235	A1	*	9/2005	Governo	.....	B28D 1/042 125/13.03

(\*\*) Term: **15 Years**

\* cited by examiner

(21) Appl. No.: **29/565,436**

*Primary Examiner* — Austin Murphy

(22) Filed: **May 20, 2016**

(74) *Attorney, Agent, or Firm* — Adan Ayala

(51) **LOC (11) Cl.** ..... **15-03**

(52) **U.S. Cl.**  
USPC ..... **D15/133; D8/66**

(58) **Field of Classification Search**  
USPC .... D8/69, 68, 67, 66, 64, 61, 70; 83/698.41,  
83/747, 166.3, 374, 373, 375, 376, 391,  
83/377, 390, 388, 389; 125/13.01;  
144/218; D15/133

CPC .... B27B 9/00; B27B 9/02; B27B 5/02; B27B  
5/18; B27B 33/08; B28D 1/04; B28D  
1/045; B23D 45/00

See application file for complete search history.

(56) **References Cited**

**U.S. PATENT DOCUMENTS**

5,010,651	A	*	4/1991	Techter	.....	B27B 9/02 144/136.1
D531,473	S	*	11/2006	Lopano	.....	D8/66

(57) **CLAIM**

The ornamental design for a power tool, as shown and described.

**DESCRIPTION**

FIG. 1 is a perspective view of a power tool according to the invention.

FIG. 2 is a front view of the power tool of FIG. 1.

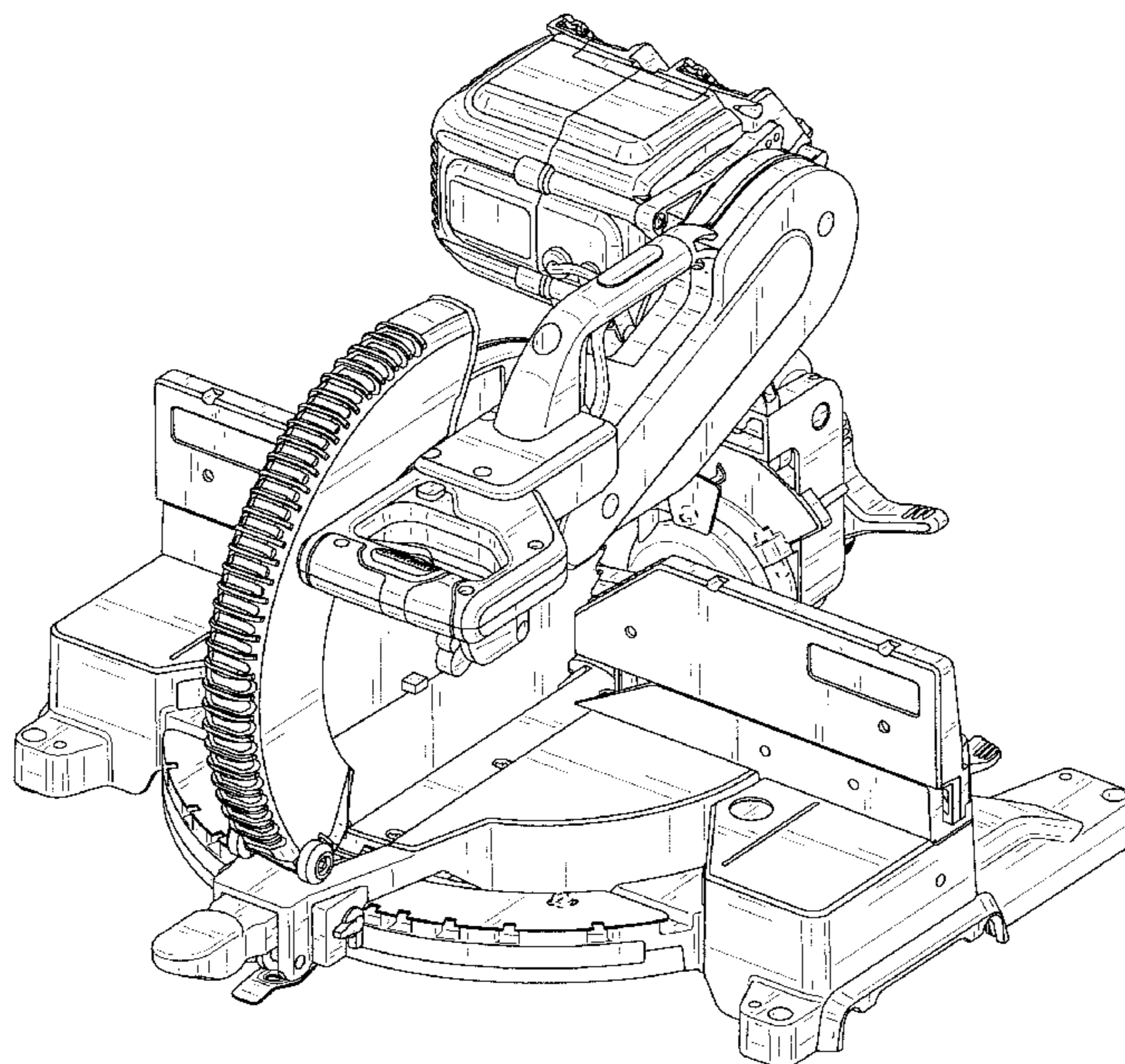
FIG. 3 is a rear view of the power tool of FIG. 1.

FIG. 4 is a left side view of the power tool of FIG. 1.

FIG. 5 is a right side view of the power tool of FIG. 1; and,

FIG. 6 is a top plan view of the power tool of FIG. 1.

**1 Claim, 6 Drawing Sheets**



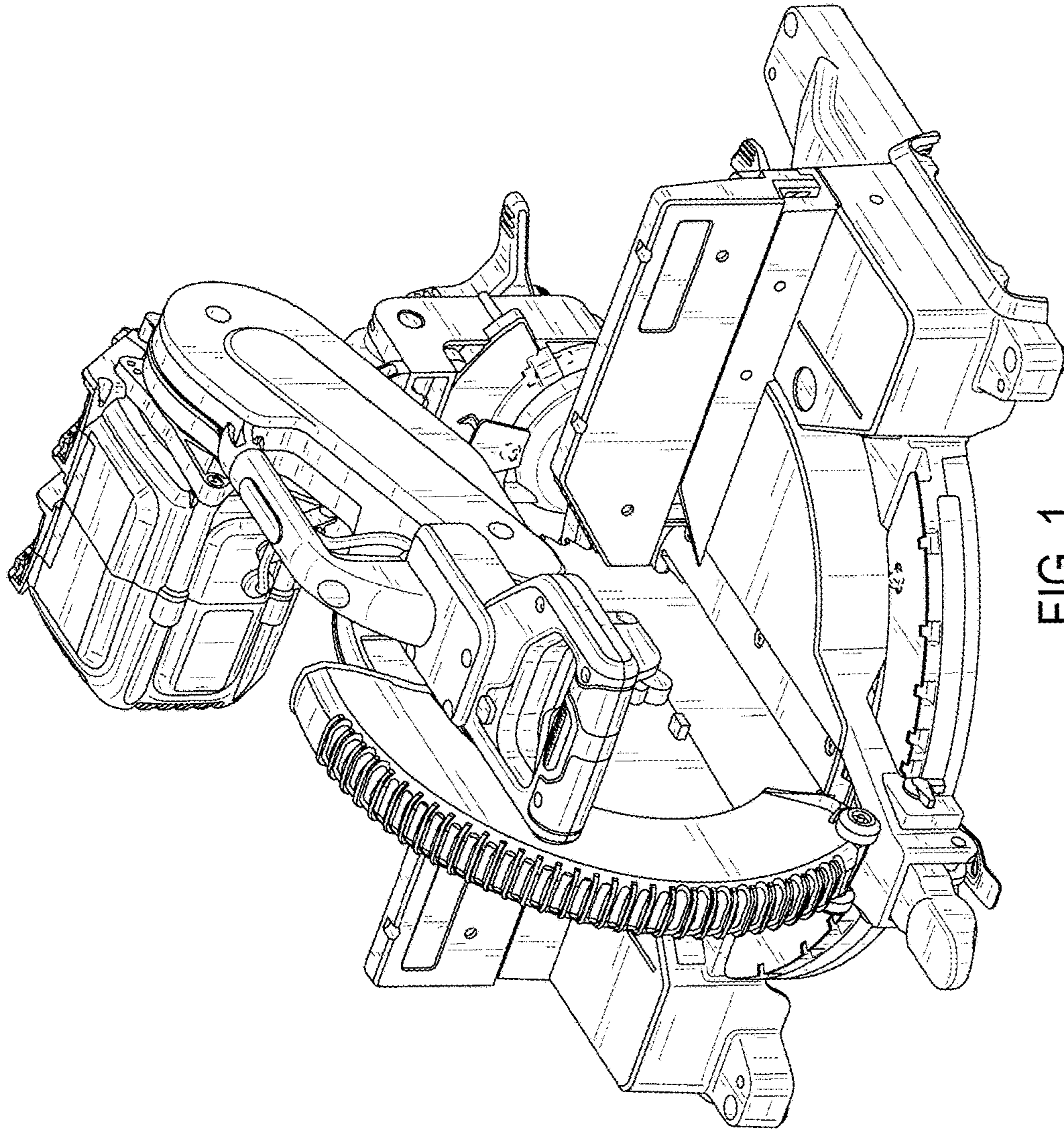


FIG. 1



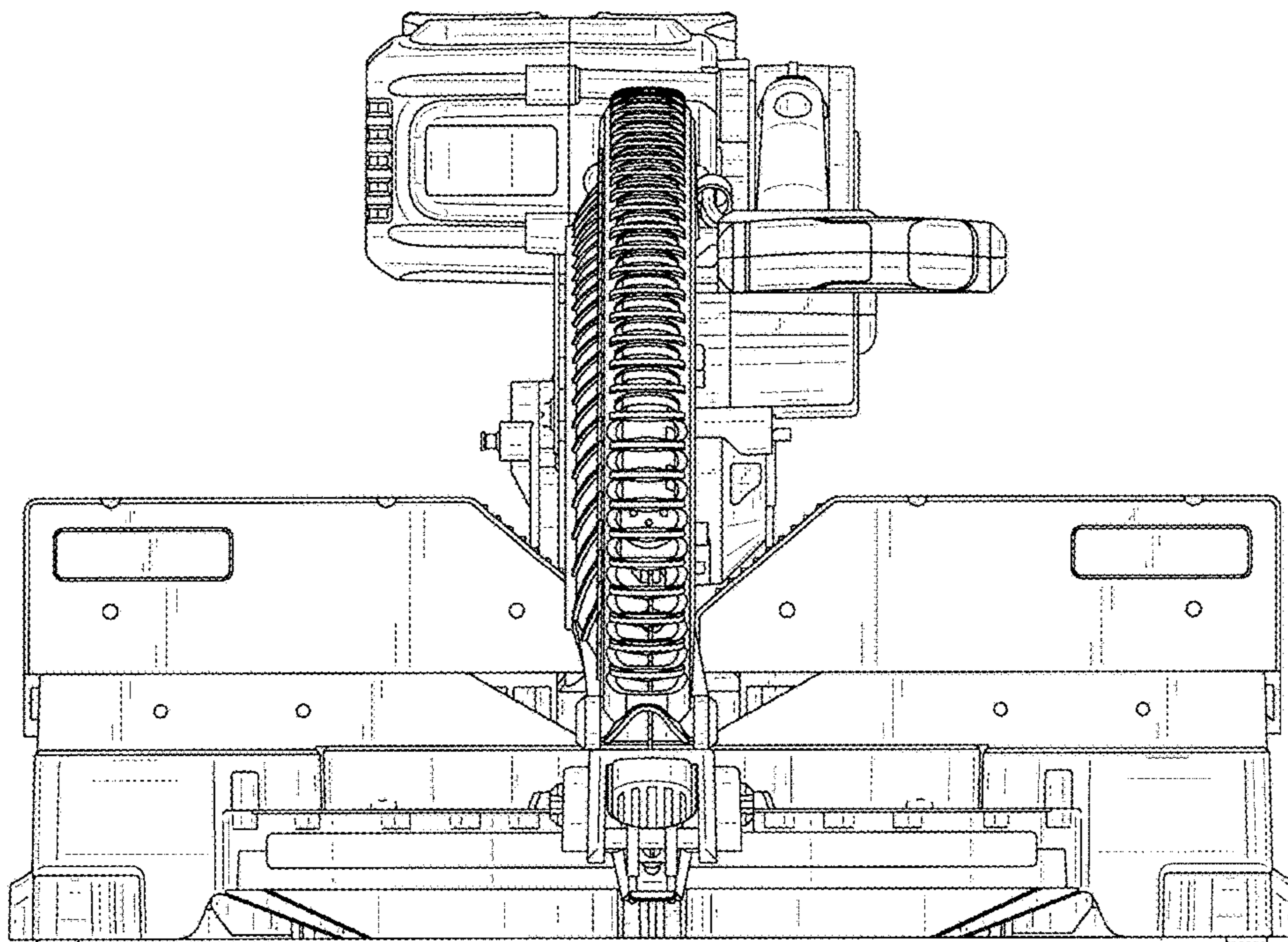


FIG. 2

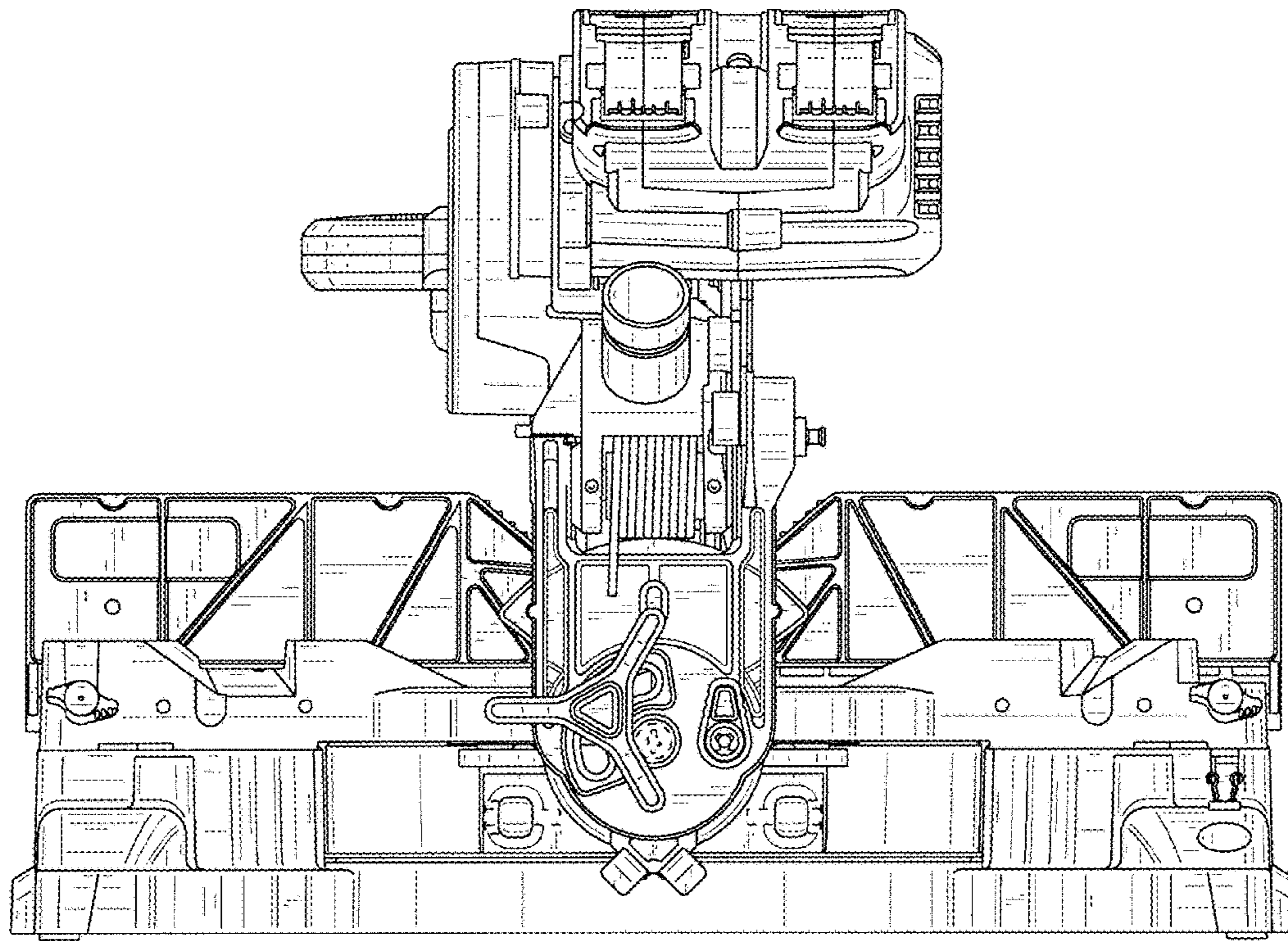


FIG. 3

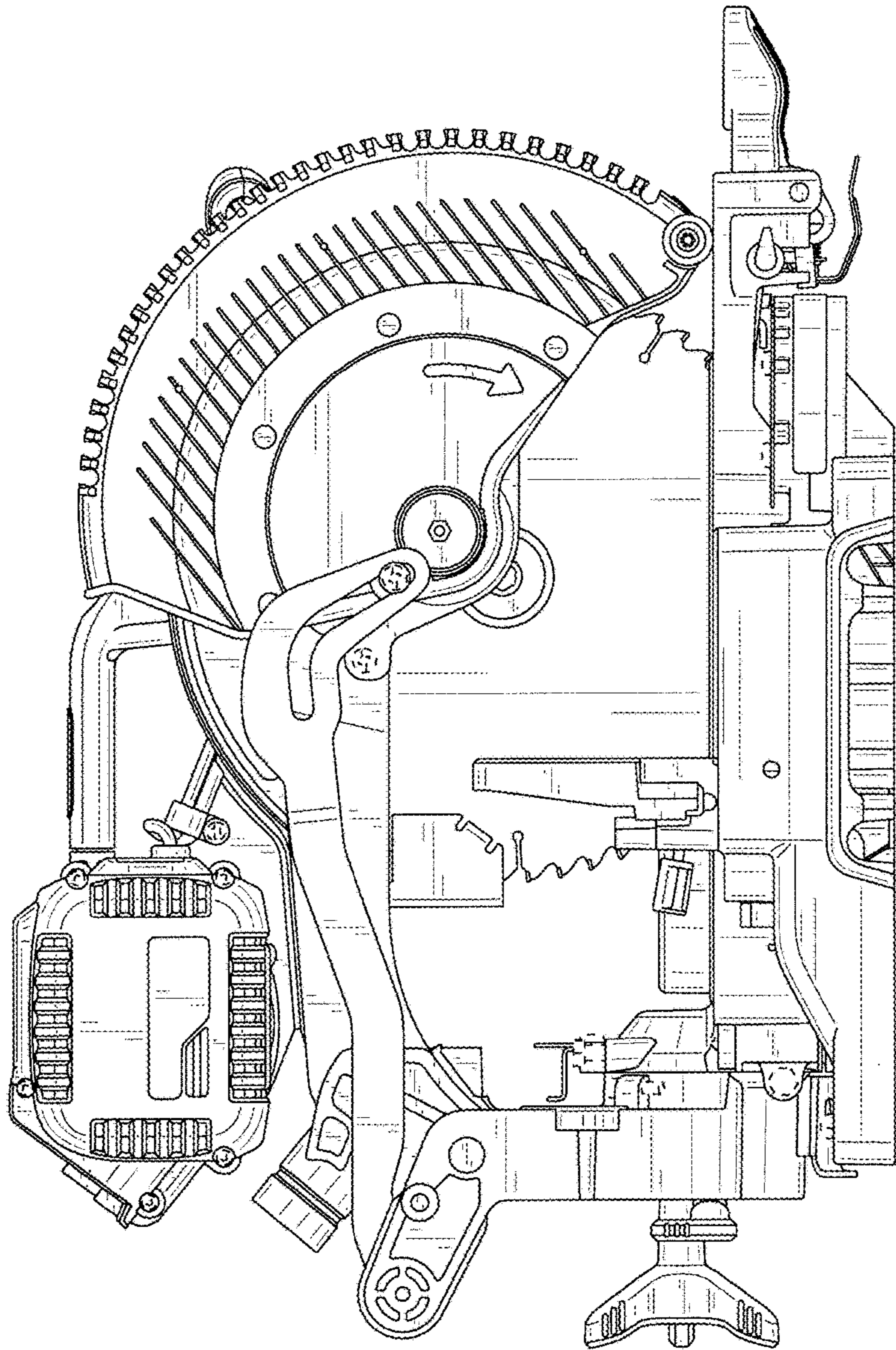


FIG. 4



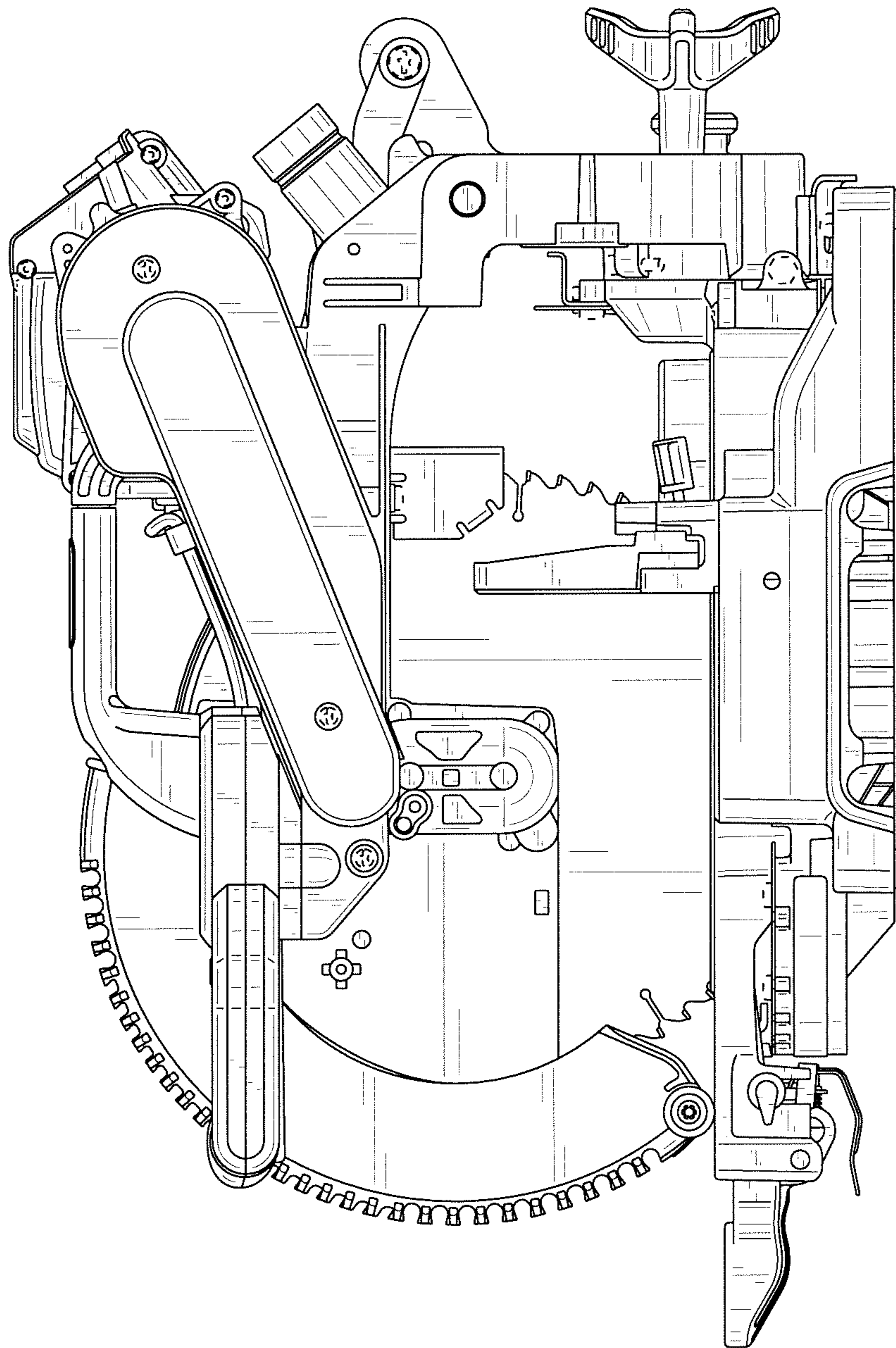


FIG. 5

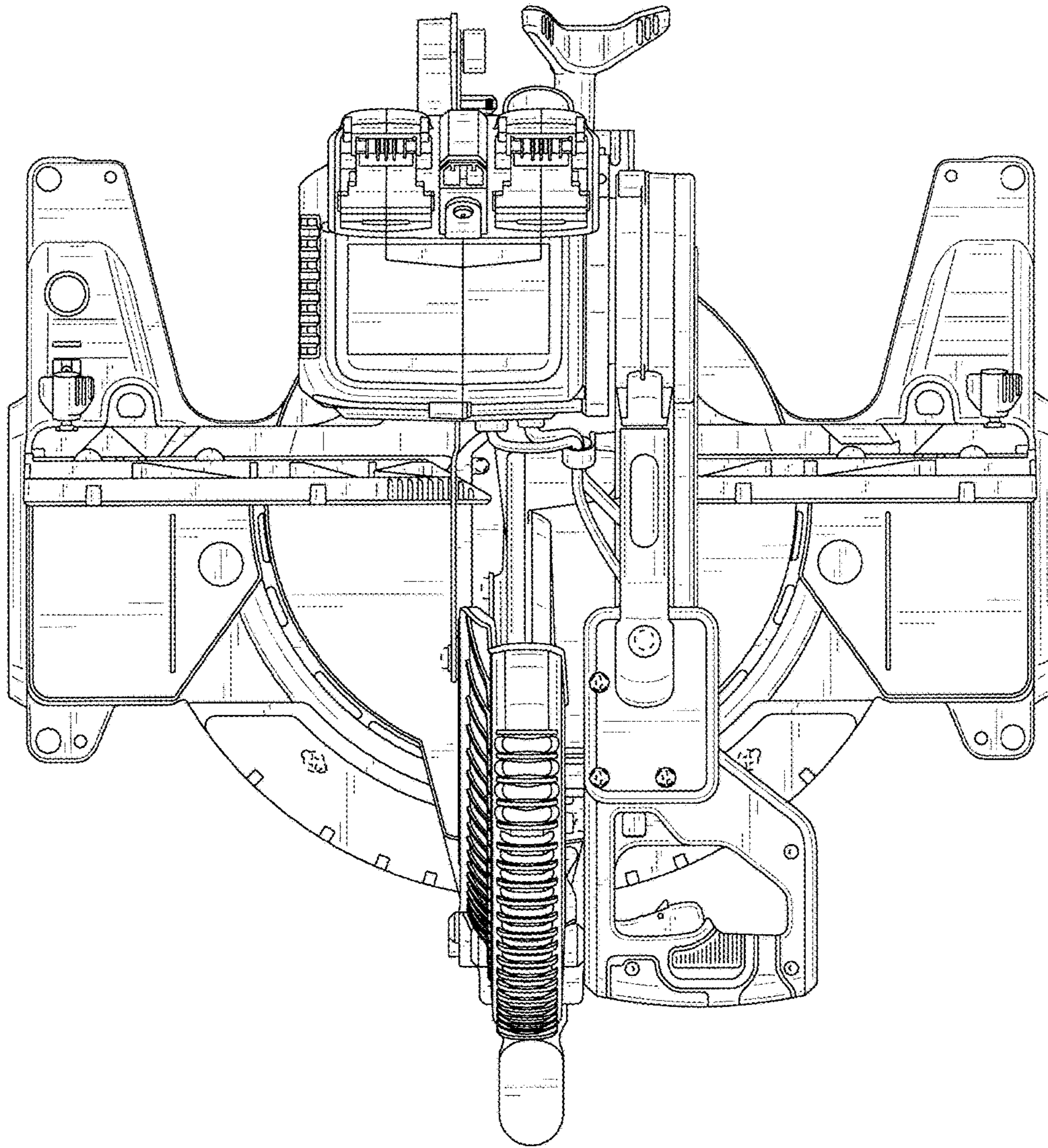


FIG. 6