



US00D831708S

(12) **United States Design Patent**
Kim et al.

(10) **Patent No.:** **US D831,708 S**

(45) **Date of Patent:** **** Oct. 23, 2018**

(54) **REFRIGERATOR**

(71) Applicant: **Samsung Electronics Co., Ltd.**,
Suwon-si (KR)

(72) Inventors: **Jangwon Kim**, Seoul (KR); **Aeryun Kim**, Ansan-si (KR); **Honguk Lee**, Seongnam-si (KR); **Jaemin Lee**, Incheon (KR)

(73) Assignee: **Samsung Electronics Co., Ltd.**,
Suwon-si (KR)

(**) Term: **15 Years**

(21) Appl. No.: **29/612,577**

(22) Filed: **Aug. 2, 2017**

(30) **Foreign Application Priority Data**

Feb. 28, 2017 (KR) 30-2017-0009459

(51) **LOC (11) Cl.** **15-07**

(52) **U.S. Cl.**
USPC **D15/89**

(58) **Field of Classification Search**
USPC D15/79-91
CPC F25D 23/028; F25D 25/02; F25D 11/00;
F25D 11/02; F25D 2323/021; F25D
23/12; F25D 2700/12; F25D 27/00; F25D
29/00; F25D 17/042; F25D 17/047; F25D
17/065; F25D 2317/043; F25D 2317/066;
F25D 2317/0671; F25D 2323/121; F25D
2331/801; F25D 23/02; F25D 23/04;
F25D 23/08; F25D 2400/06; F25D
2400/16; F25D 2500/06; F25D 2700/02;
F25D 2700/14; F25D 29/003; F25D
29/005; F25D 29/006

See application file for complete search history.

(56) **References Cited**

U.S. PATENT DOCUMENTS

D556,793 S * 12/2007 Braun D15/89
D698,832 S * 2/2014 Lee D15/89

D713,864 S * 9/2014 Kim D15/89
D723,072 S * 2/2015 Park D15/89
D727,377 S * 4/2015 Jeon D15/89

(Continued)

Primary Examiner — Mitchell I. Siegel

Assistant Examiner — Khawaja Anwar

(74) *Attorney, Agent, or Firm* — NSIP Law

(57) **CLAIM**

We claim the ornamental design for a refrigerator, as shown and described.

DESCRIPTION

FIG. 1 is a front perspective view of a refrigerator showing our new design;

FIG. 2 is a front view thereof;

FIG. 3 is a rear view thereof;

FIG. 4 is a left-side view thereof;

FIG. 5 is a right-side view thereof;

FIG. 6 is a top view thereof;

FIG. 7 is a bottom view thereof;

FIG. 8 is an enlarged view of the encircled portion in FIG. 1;

FIG. 9 is another front perspective view thereof, shown in an alternate position;

FIG. 10 is a front view thereof;

FIG. 11 is a rear view thereof;

FIG. 12 is a left-side view thereof;

FIG. 13 is a right-side view thereof;

FIG. 14 is a top view thereof;

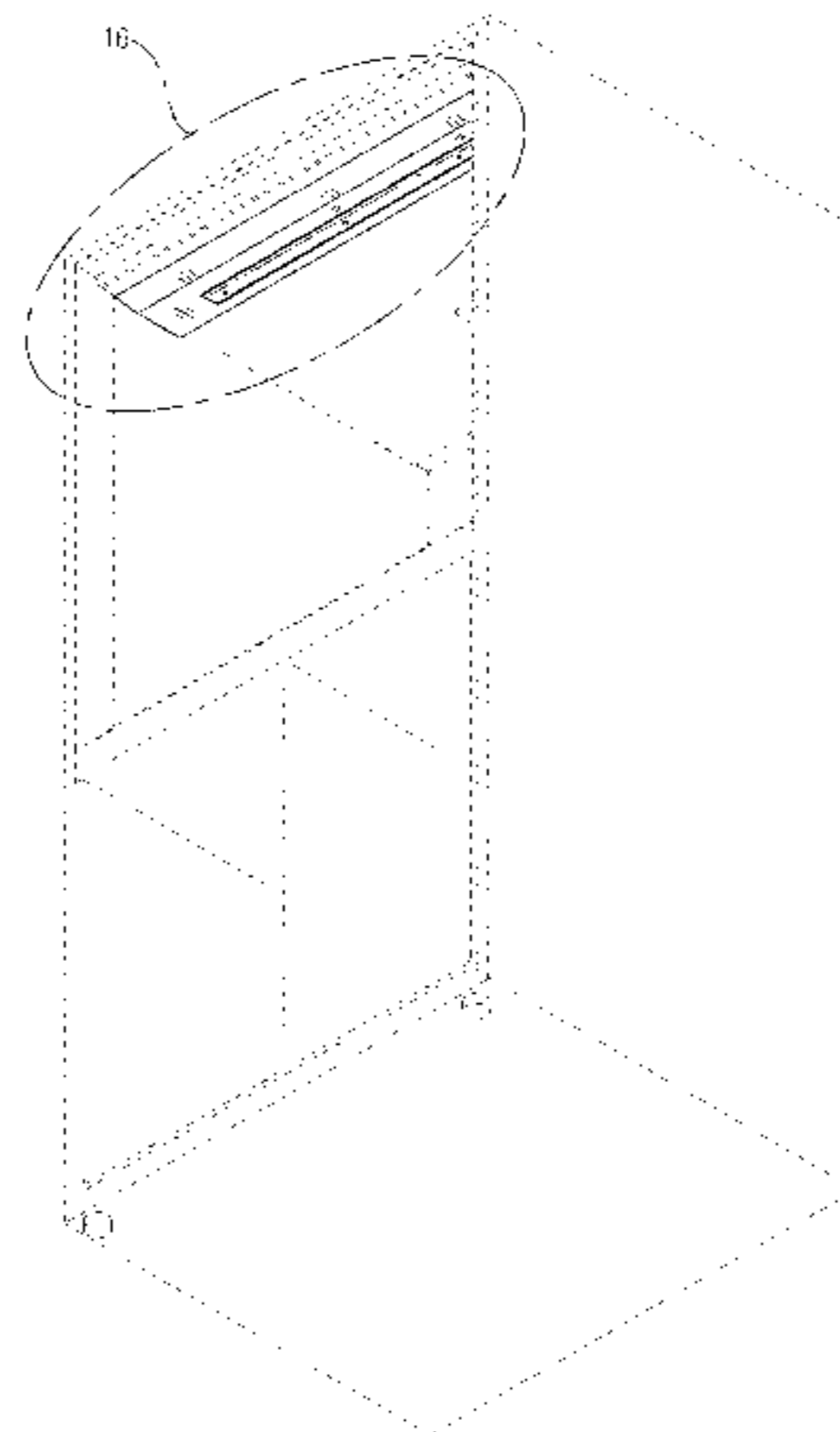
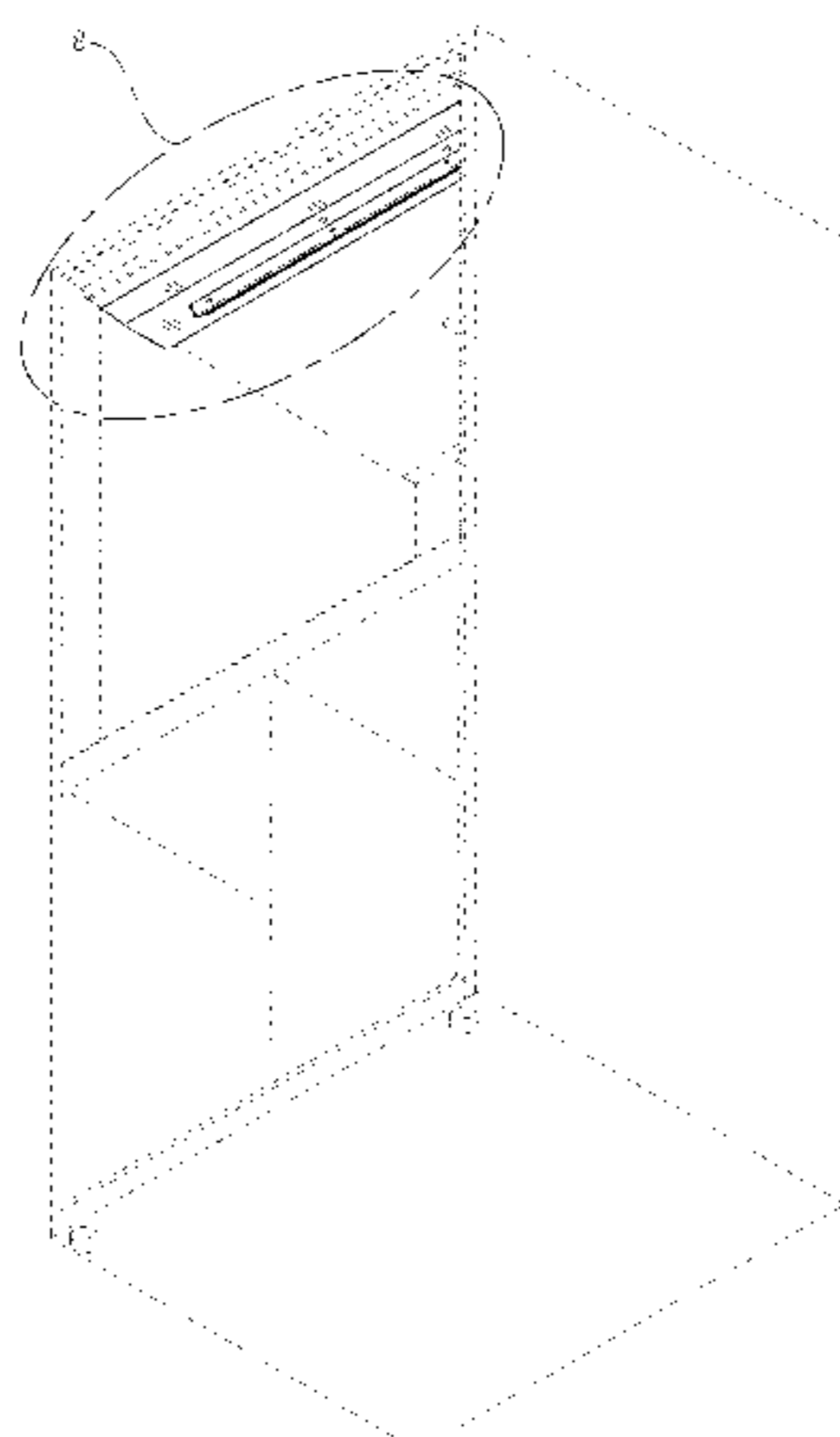
FIG. 15 is a bottom view thereof; and,

FIG. 16 is an enlarged view of the encircled portion in FIG. 9.

The broken lines in the figures depict environmental subject matter and form no part of the claimed design.

The dot-dash broken lines encircling portions of the claimed design that are illustrated in enlargements form no part of the claimed design.

1 Claim, 14 Drawing Sheets



(56)

References Cited

U.S. PATENT DOCUMENTS

D737,344 S	*	8/2015	Lee	D15/89
D741,382 S	*	10/2015	Ogg	D15/89
D744,012 S	*	11/2015	Pfaff	D15/89
D744,013 S	*	11/2015	Pfaff	D15/89

* cited by examiner

FIG. 1

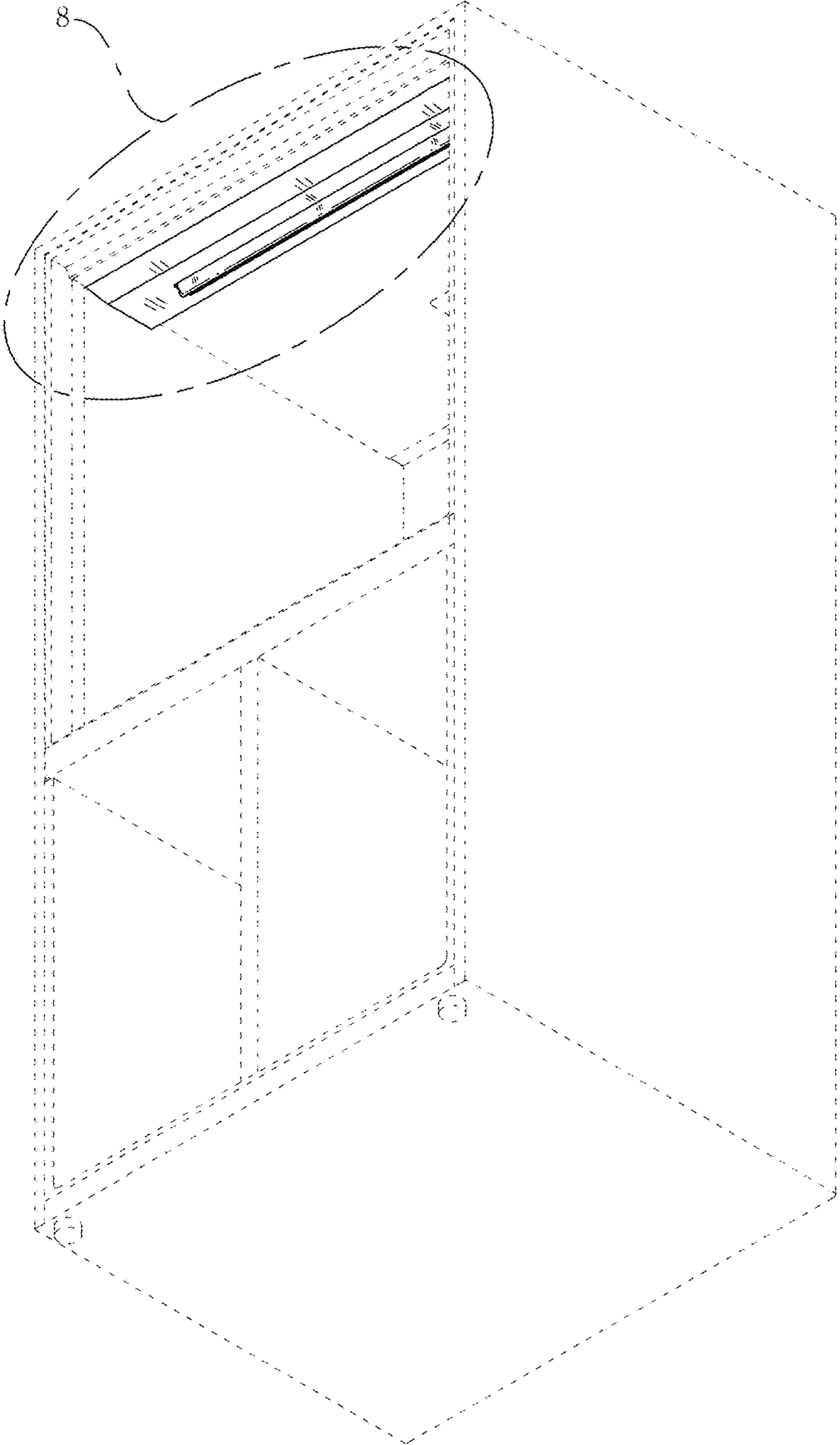


FIG. 2

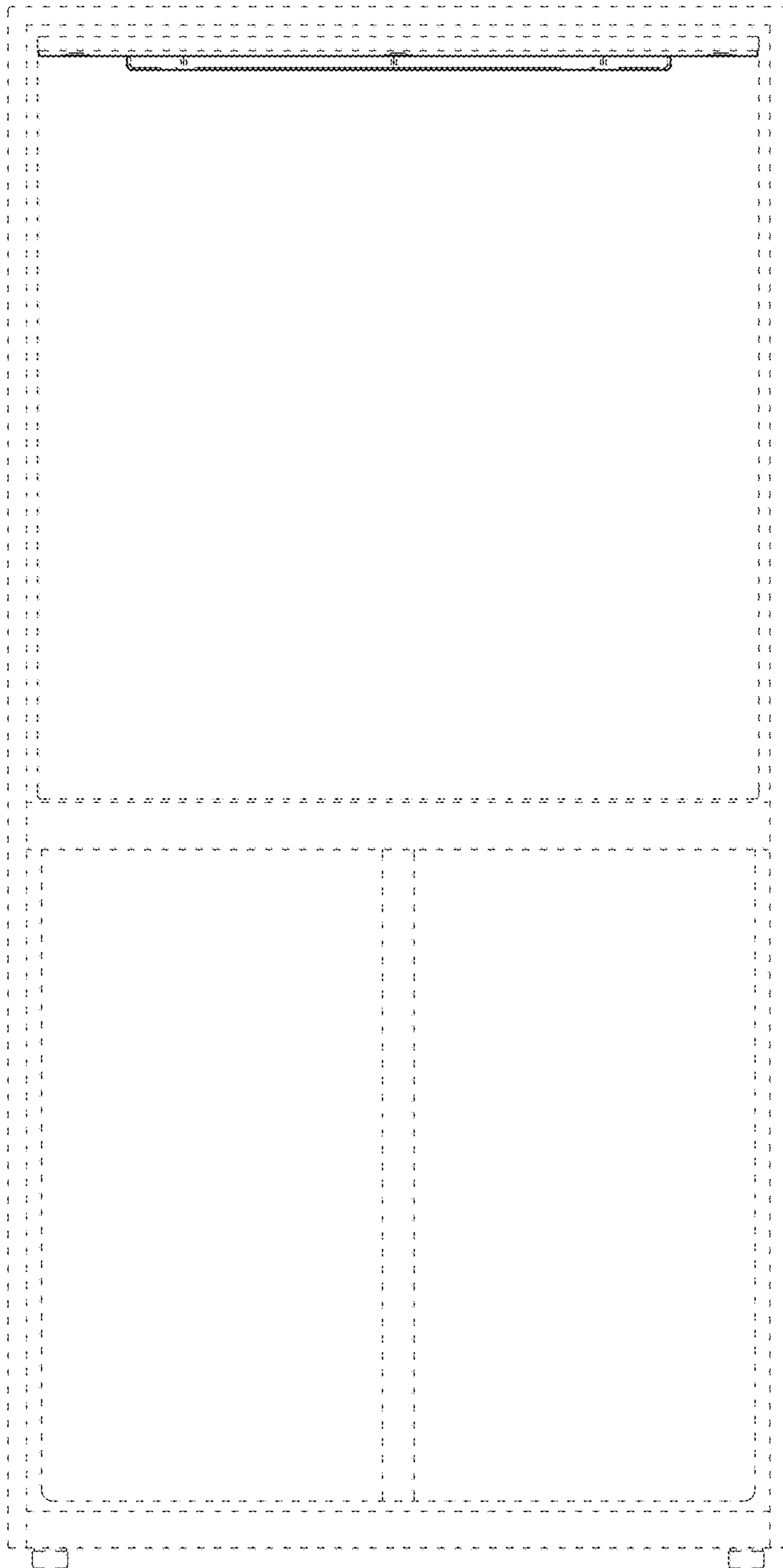


FIG. 3

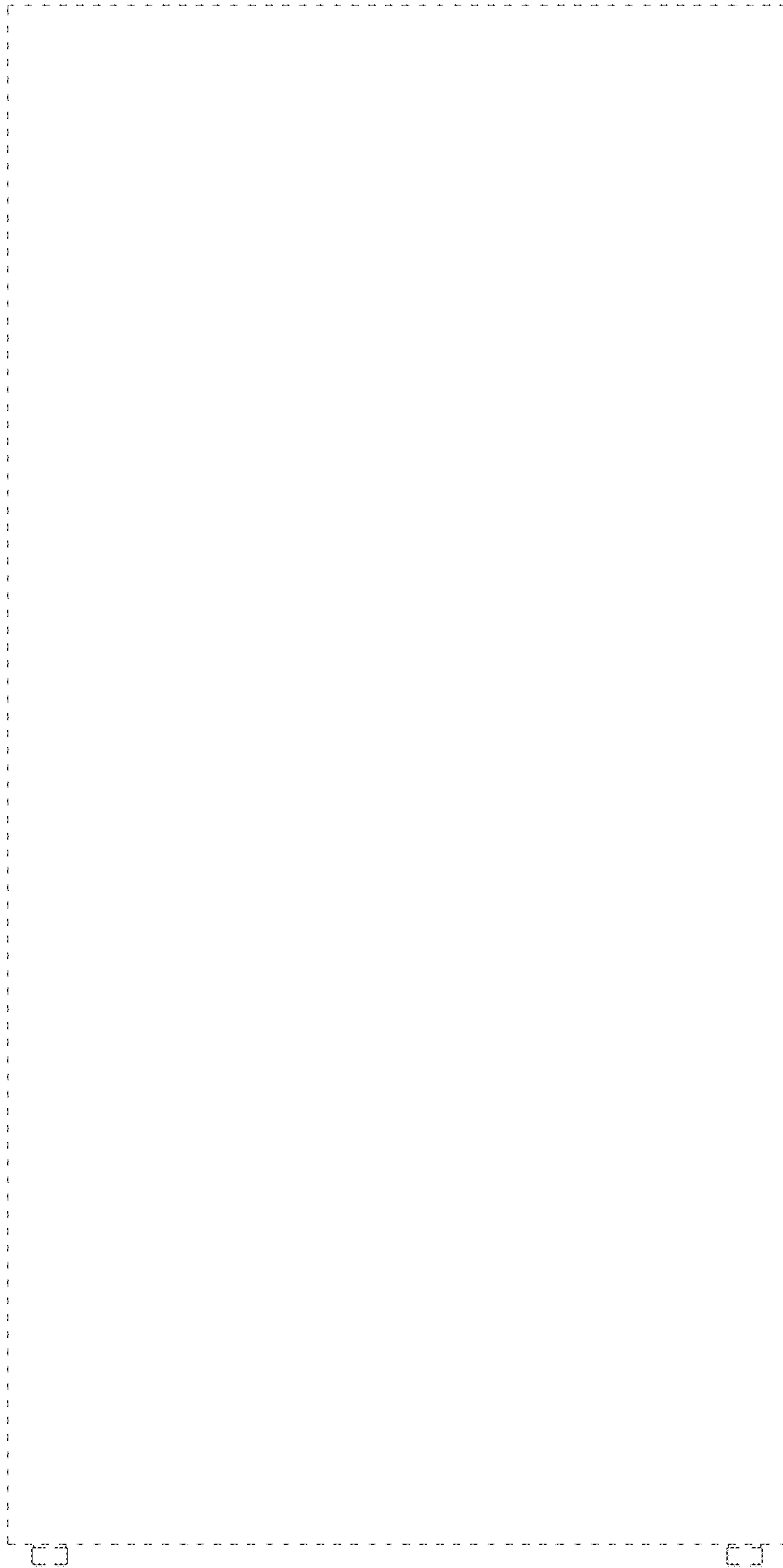


FIG. 4



FIG. 5



FIG. 6

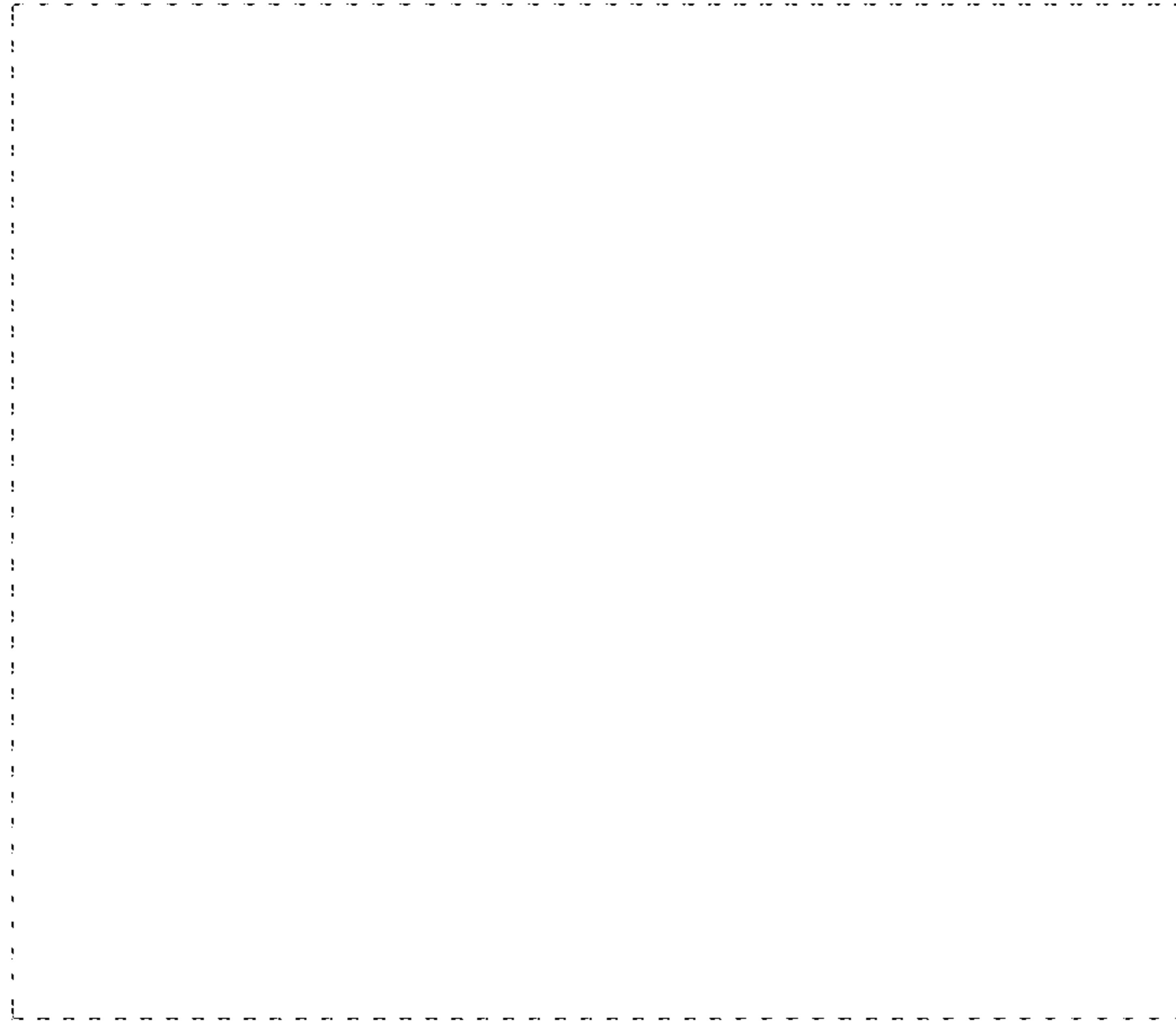


FIG. 7



FIG. 8

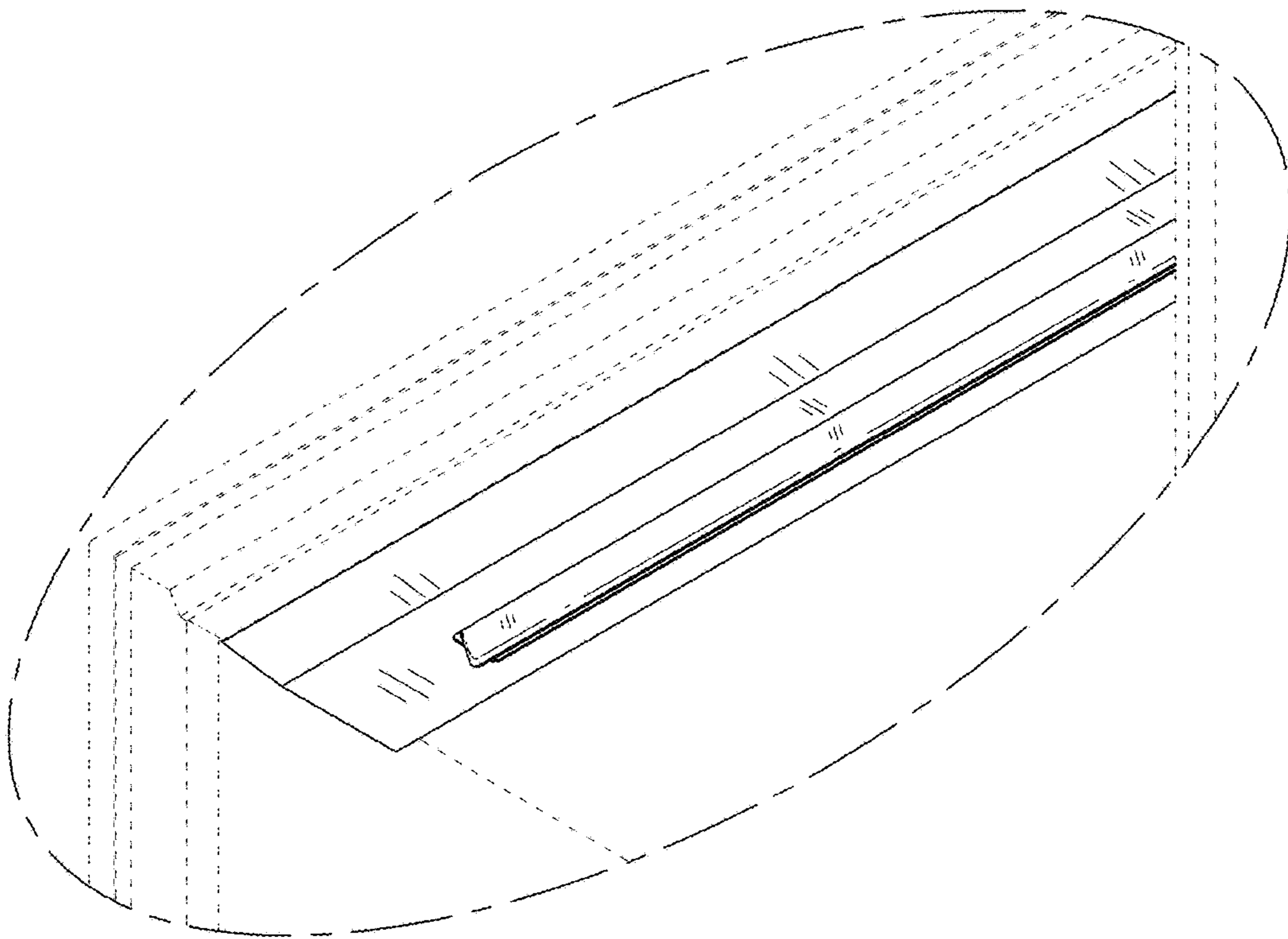


FIG. 9

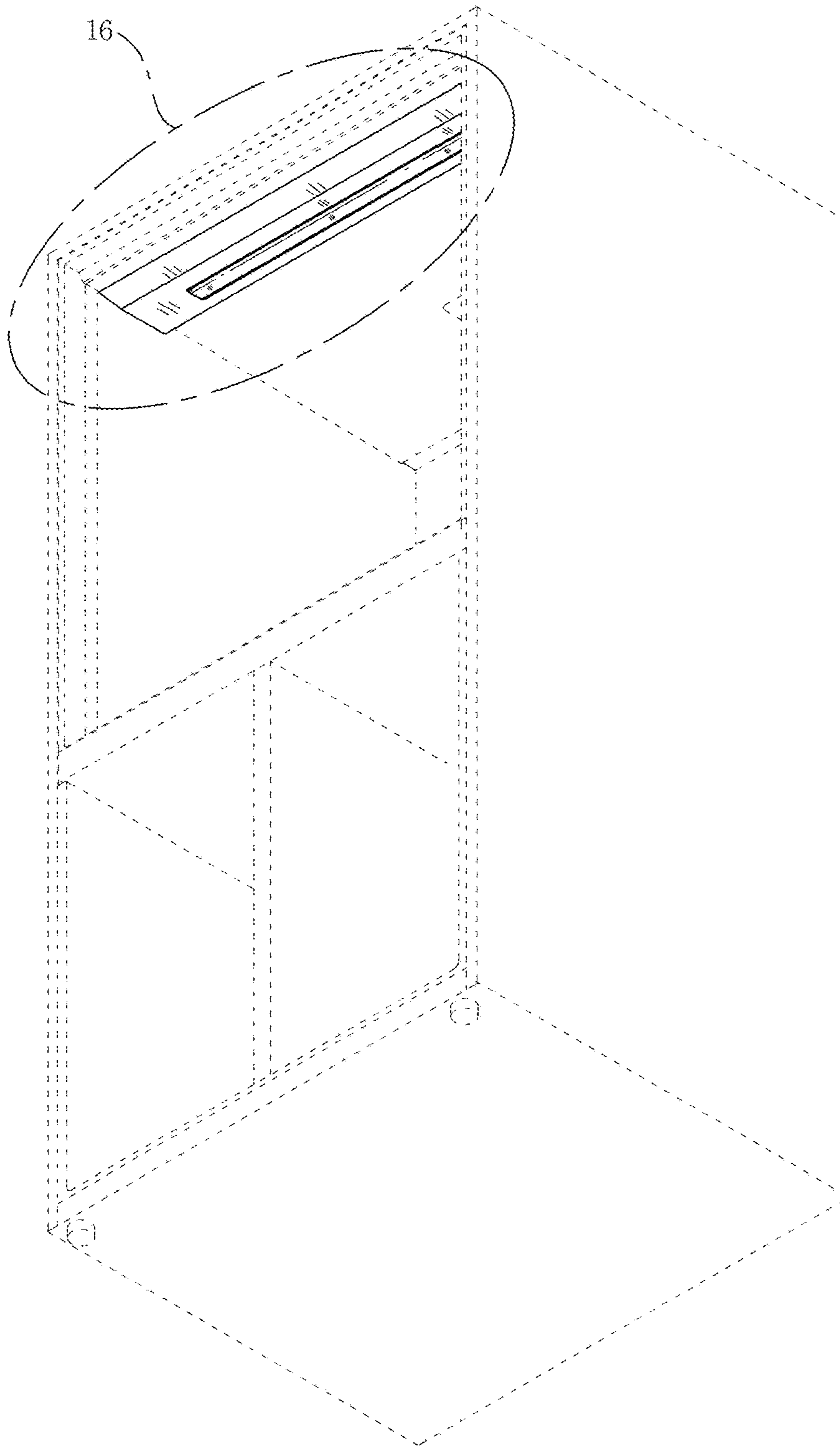


FIG. 10

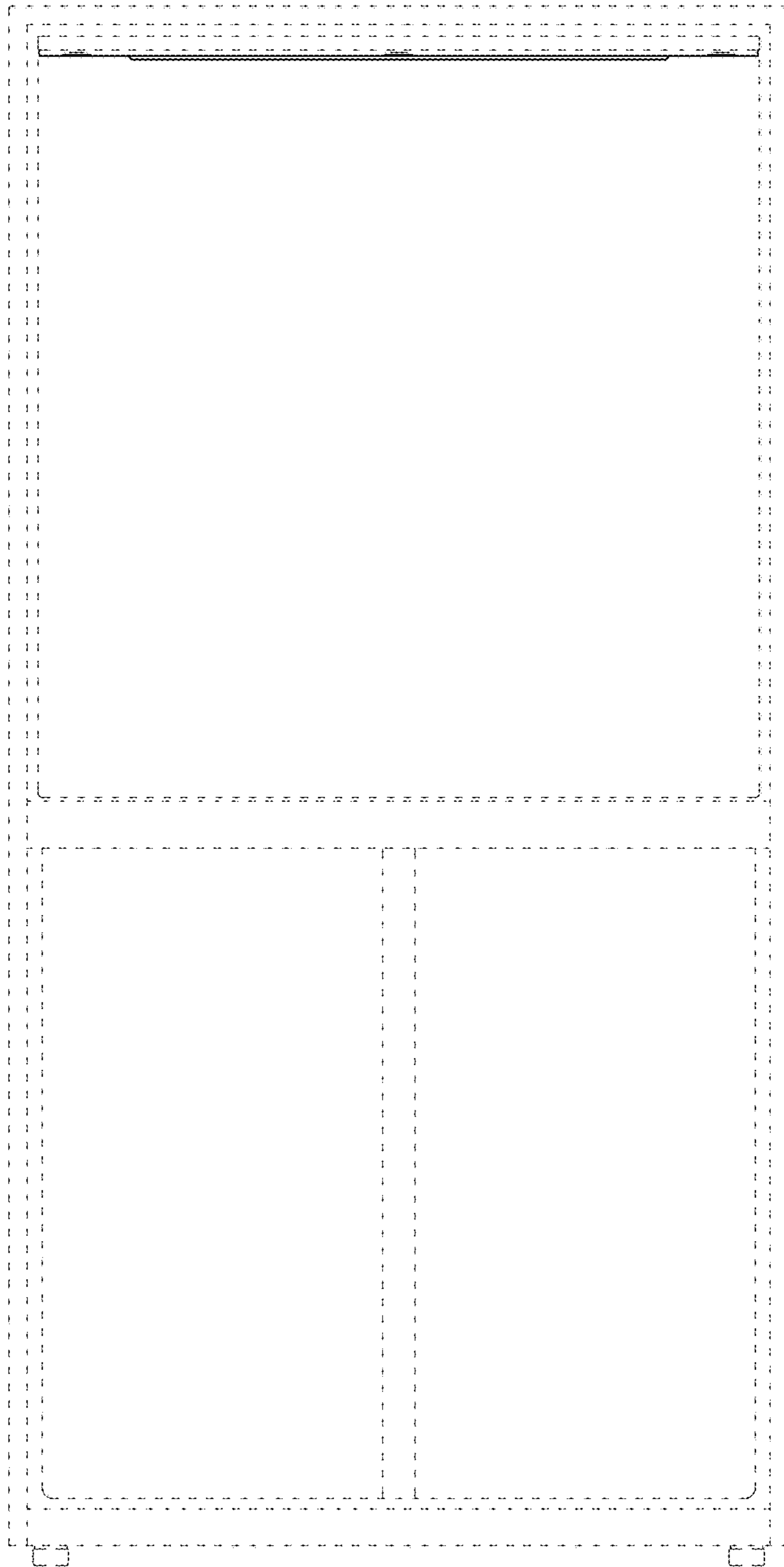


FIG. 11



FIG. 12



FIG. 13



FIG. 14

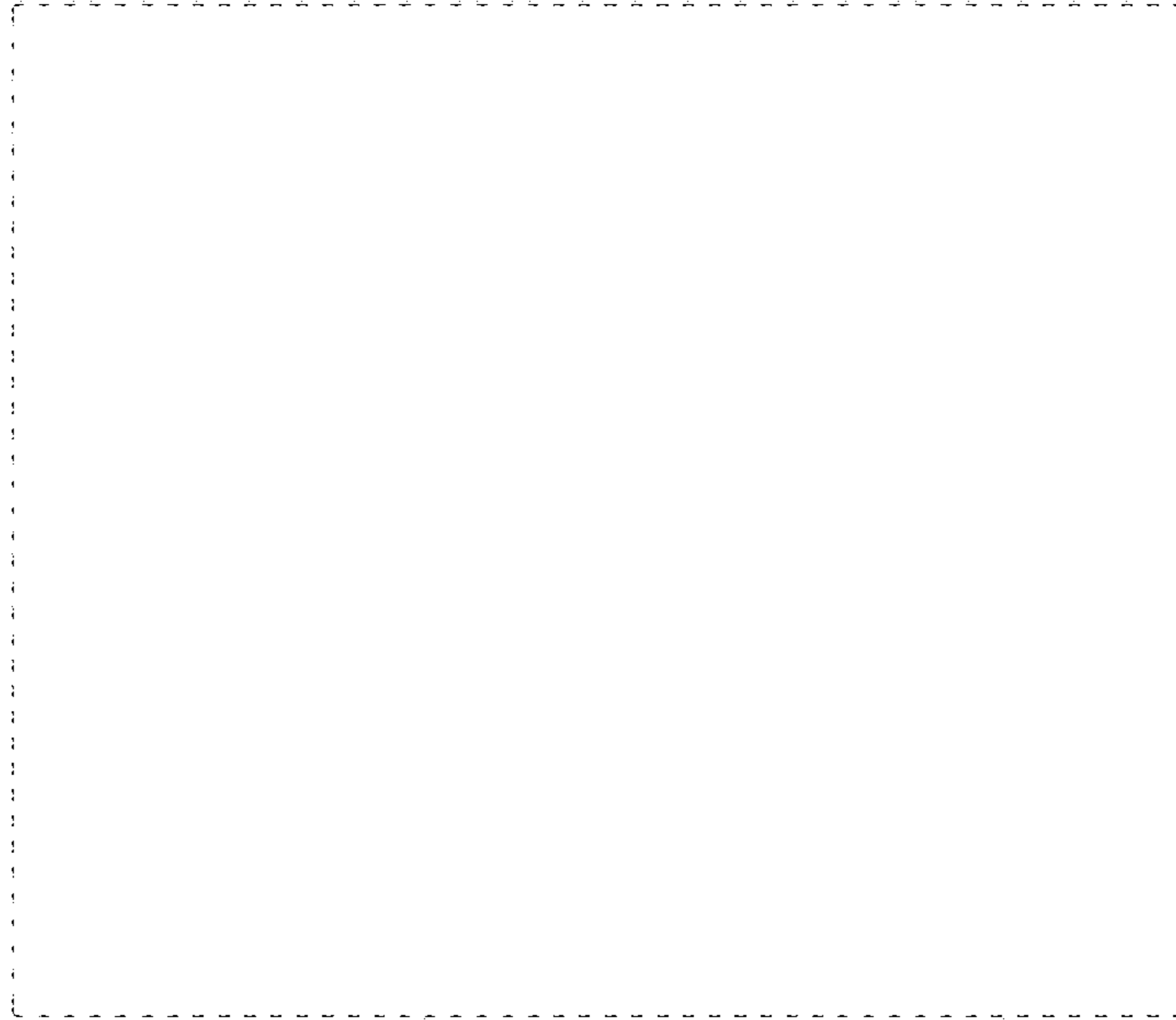


FIG. 15



FIG. 16

