



US00D831706S

(12) **United States Design Patent**
Perez

(10) **Patent No.:** **US D831,706 S**
(45) **Date of Patent:** **** Oct. 23, 2018**

- (54) **SPOOL HOLDER**
- (71) Applicant: **Andres Perez**, Miami, FL (US)
- (72) Inventor: **Andres Perez**, Miami, FL (US)
- (**) Term: **15 Years**
- (21) Appl. No.: **29/620,206**
- (22) Filed: **Aug. 16, 2016**
- (51) **LOC (11) Cl.** **15-06**
- (52) **U.S. Cl.**
USPC **D15/78**
- (58) **Field of Classification Search**
USPC D15/66-78; D3/18-25
CPC B65H 49/00-54/88
See application file for complete search history.

- 5,626,309 A * 5/1997 Morgan B65H 49/06
242/130.1
- 6,044,782 A * 4/2000 Fresseman D05B 43/00
112/168
- 6,170,416 B1 * 1/2001 Gulsby D05B 43/00
112/279
- 7,189,258 B2 * 3/2007 Johnson A61F 2/2412
623/2.11
- D565,608 S * 4/2008 Hirate D15/72
- 8,973,859 B2 * 3/2015 Troncoso D05B 43/00
242/129.72
- 2014/0284411 A1 * 9/2014 Perez B65H 75/185
242/130

* cited by examiner

Primary Examiner — Mitchell I. Siegel

(57) **CLAIM**

The ornamental design for spool holder, as shown and described.

(56) **References Cited**

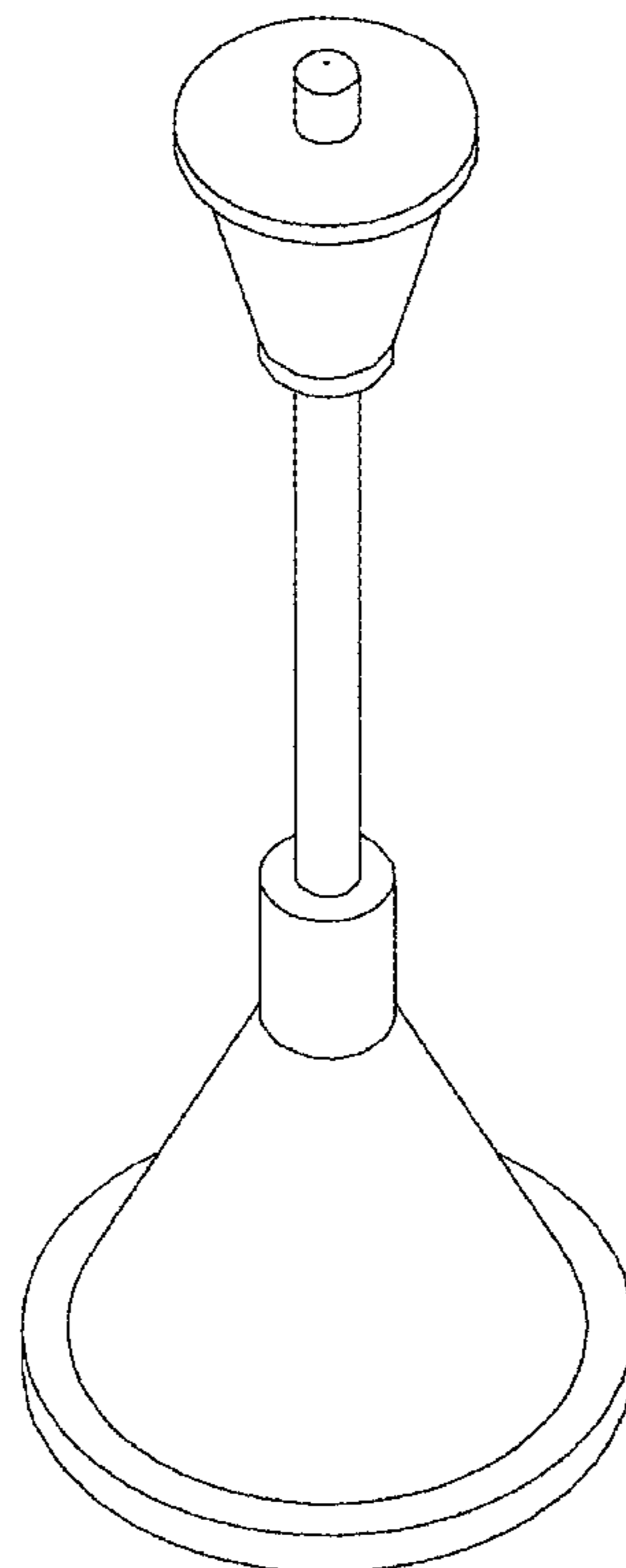
U.S. PATENT DOCUMENTS

- 1,580,687 A * 4/1926 Selbst D05B 91/14
242/139
- D282,312 S * 1/1986 Dick D3/24
- D292,643 S * 11/1987 Dick D15/78
- 5,203,518 A * 4/1993 Morgan B65H 49/06
242/129.5
- 5,492,280 A * 2/1996 Corres B65H 49/06
242/129.5
- 5,626,302 A * 5/1997 Hrobar B65H 49/06
242/130

DESCRIPTION

- FIG. 1 is an exploded elevational view of the claimed design.
- FIG. 2 is a top plan view.
- FIG. 3 is a bottom plan view.
- FIG. 4 is an exploded top perspective view.
- FIG. 5 is an exploded bottom perspective view; and,
- FIG. 6 is a top perspective view in an assembled position.

1 Claim, 4 Drawing Sheets



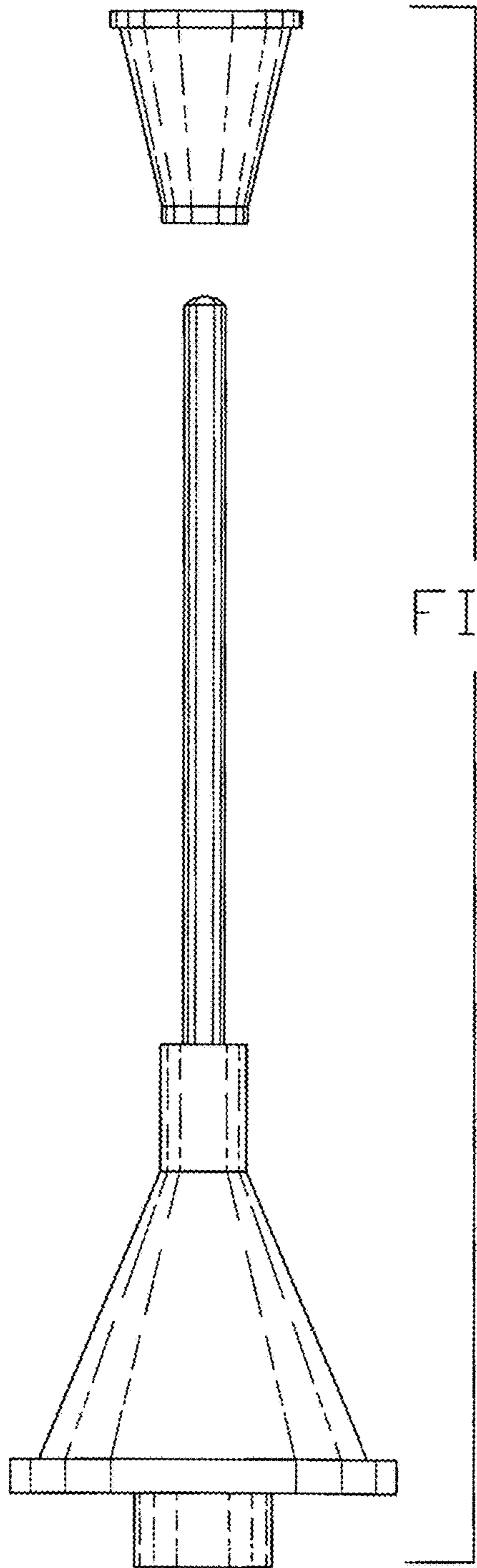


FIG 1

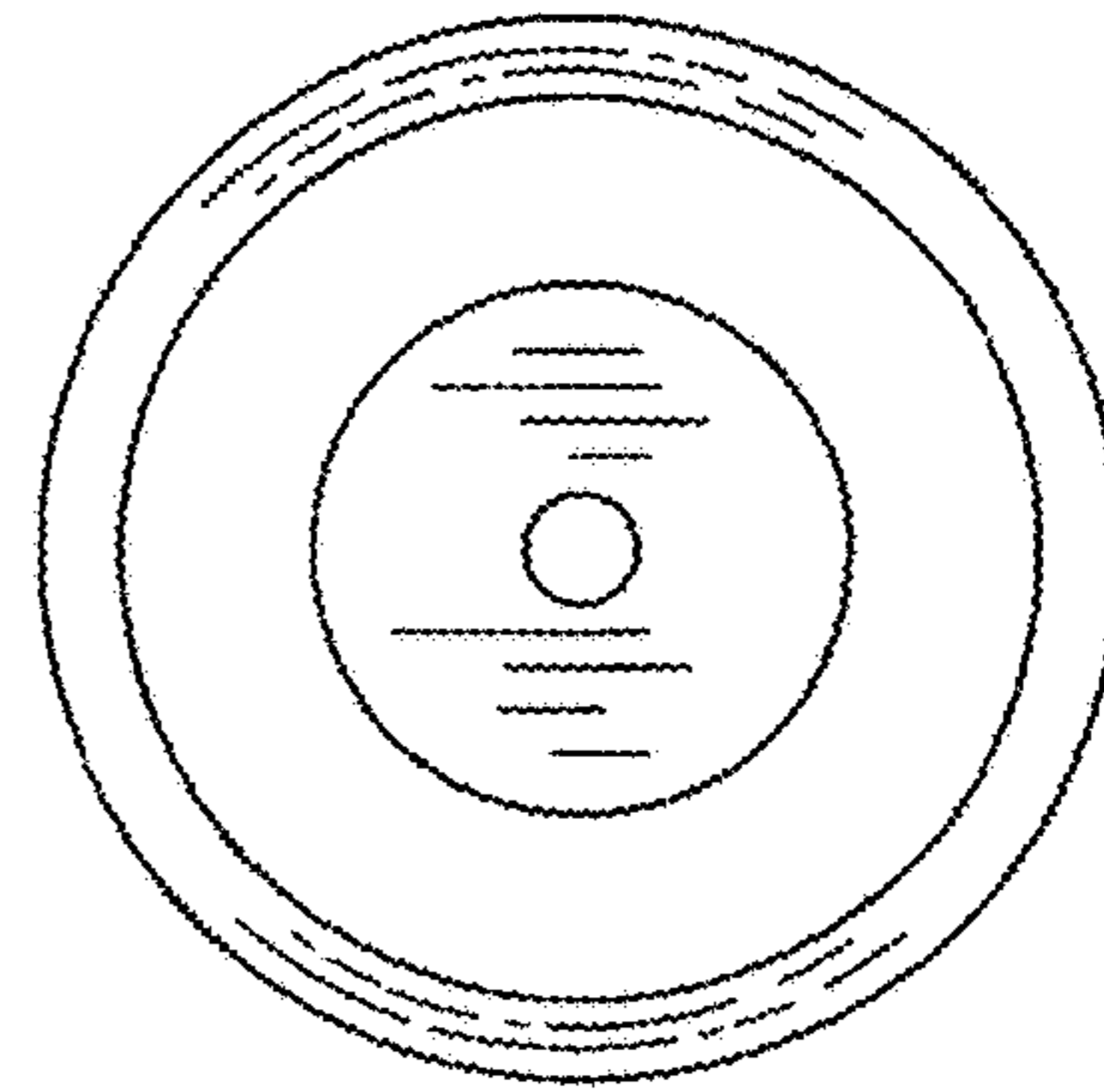


FIG 2

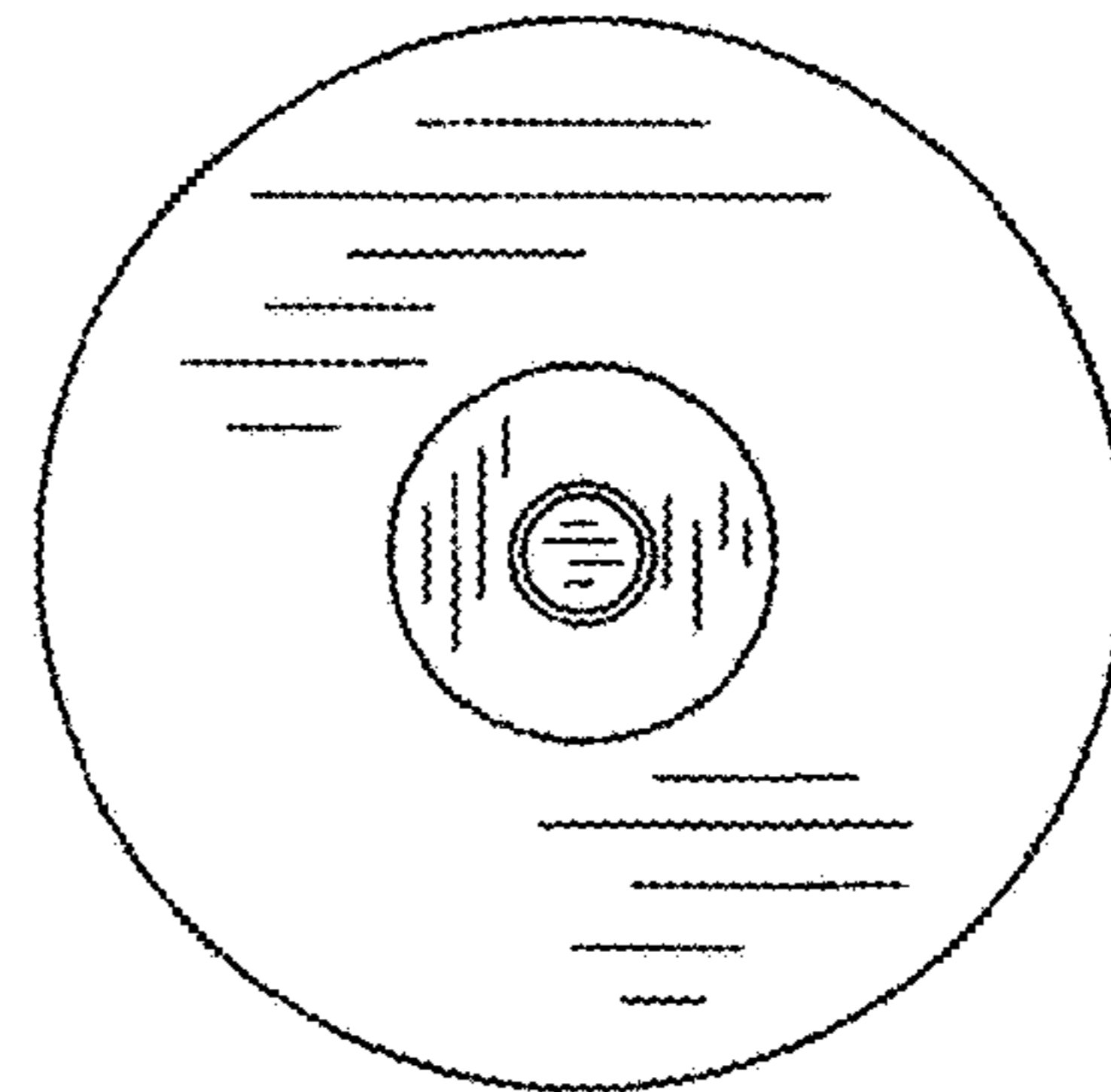
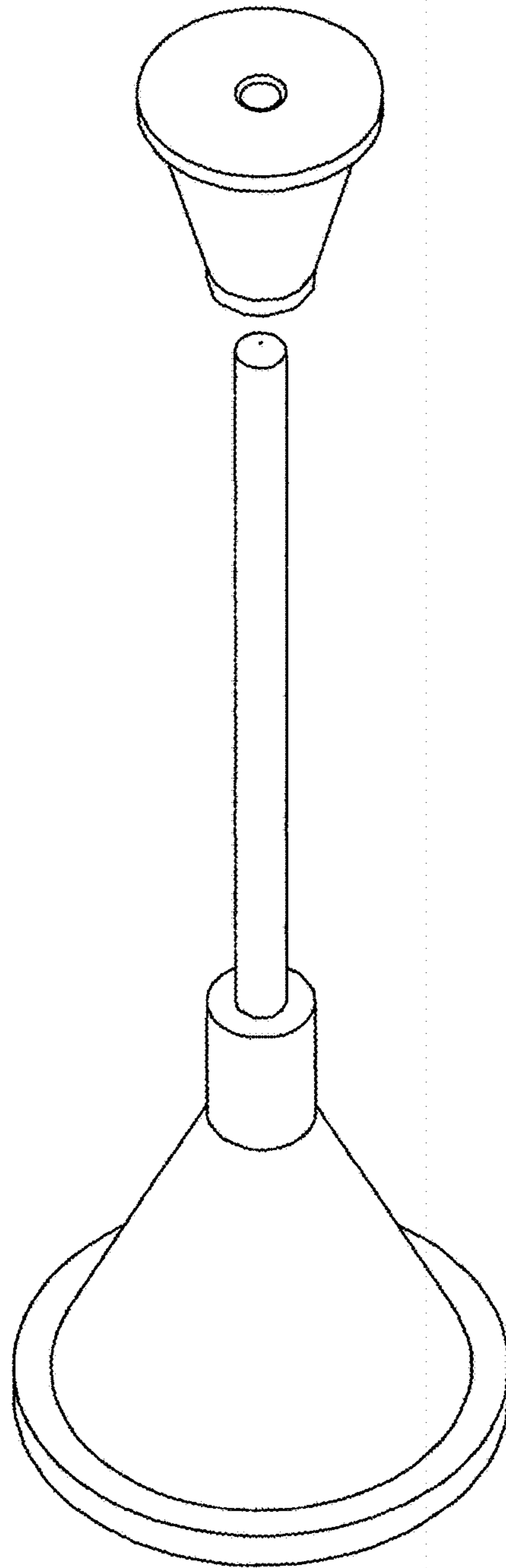


FIG 3

FIG 4



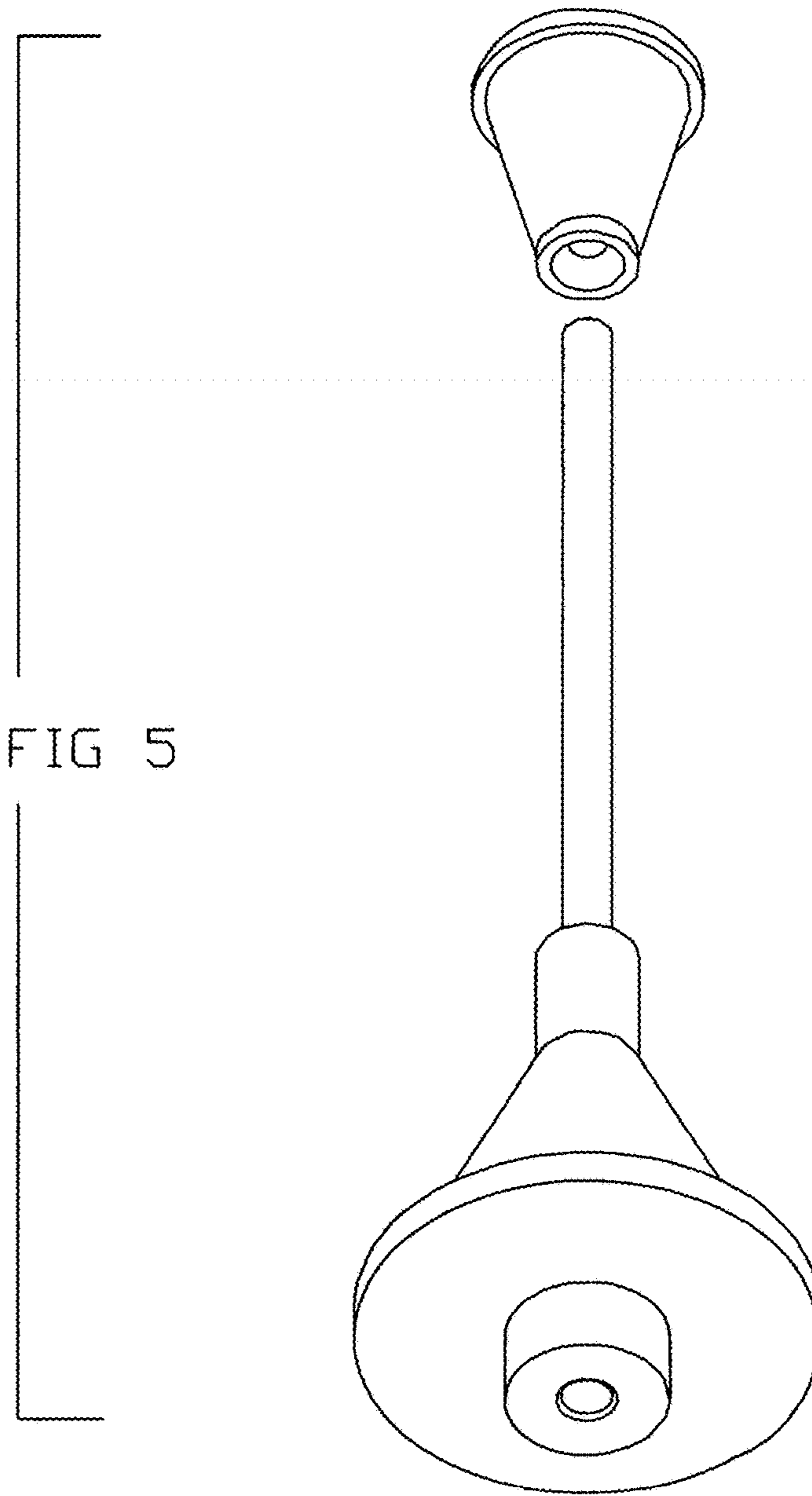


FIG 6

