



US00D831705S

(12) **United States Design Patent**
Wei

(10) **Patent No.:** **US D831,705 S**

(45) **Date of Patent:** **** Oct. 23, 2018**

(54) **SEWING MACHINE**

(71) Applicant: **ZENG HSING INDUSTRIAL CO., LTD.**, Taichung (TW)

(72) Inventor: **Chao-Chuan Wei**, Taichung (TW)

(73) Assignee: **ZENG HSING INDUSTRIAL CO., LTD.**, Taichung (TW)

(**) Term: **15 Years**

(21) Appl. No.: **29/615,764**

(22) Filed: **Aug. 31, 2017**

(51) **LOC (11) Cl.** **15-06**

(52) **U.S. Cl.**
USPC **D15/72**

(58) **Field of Classification Search**
USPC D15/66-78
CPC D05B 1/00-25/00
See application file for complete search history.

(56) **References Cited**

U.S. PATENT DOCUMENTS

D292,588 S * 11/1987 Uchida D15/69
D474,482 S * 5/2003 Melzer-Muller D15/69
D521,533 S * 5/2006 Sanchez D15/69

D697,948 S * 1/2014 Asano D15/69
D728,642 S * 5/2015 Hattori D15/72
D768,211 S * 10/2016 Mevey D15/69
D817,365 S * 5/2018 Kil D15/69

* cited by examiner

Primary Examiner — Mitchell I. Siegel

(74) *Attorney, Agent, or Firm* — LeClairRyan

(57) **CLAIM**

The ornamental design for a sewing machine, as shown and described.

DESCRIPTION

FIG. 1 is a perspective view of a sewing machine showing my new design;

FIG. 2 is a front elevational view thereof;

FIG. 3 is a rear elevational view thereof;

FIG. 4 is a left side elevational view thereof;

FIG. 5 is a right side elevational view thereof;

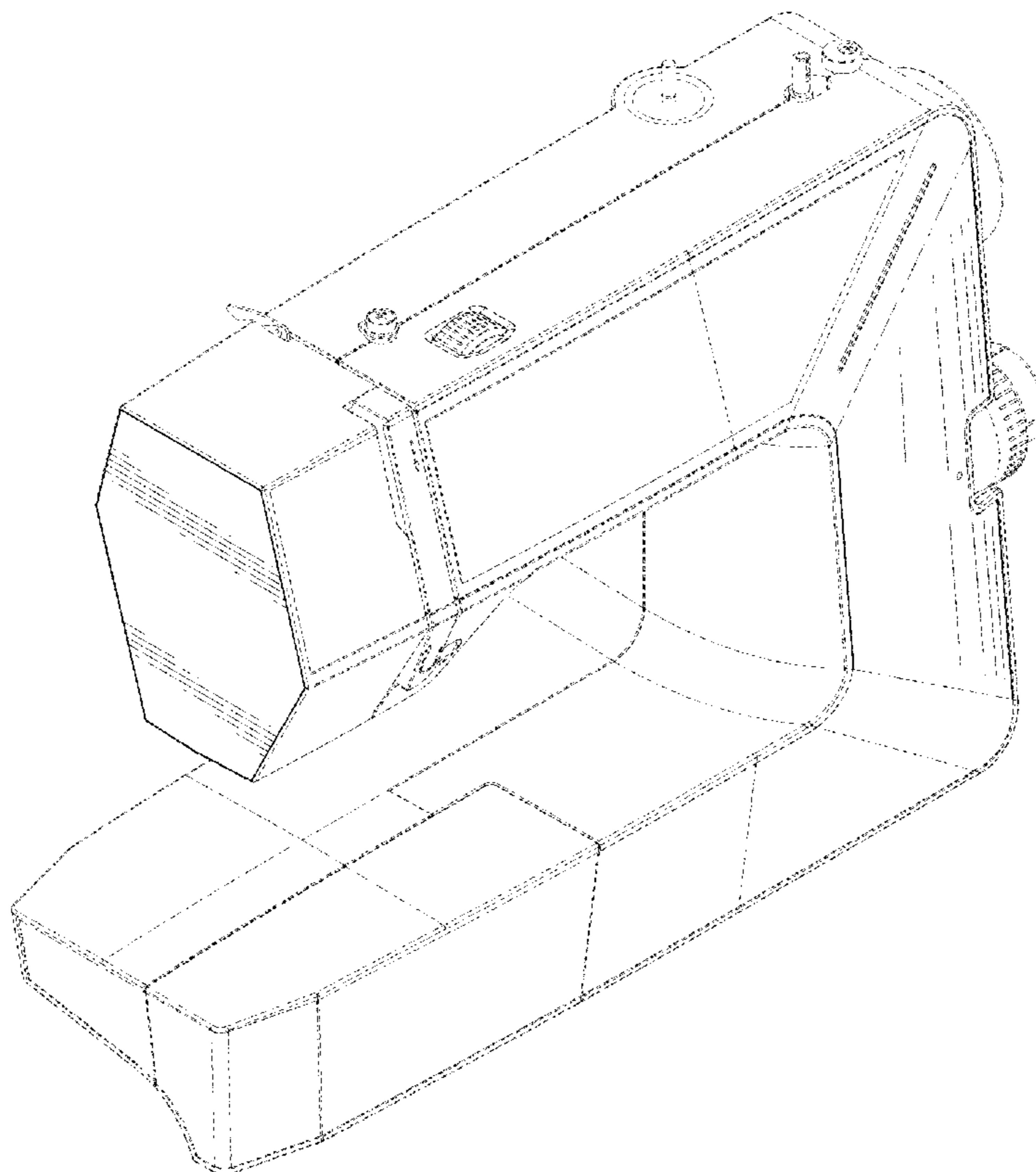
FIG. 6 is a top plan view thereof; and,

FIG. 7 is a bottom plan view thereof.

The dash-dash broken lines depict portions of a sewing machine in which the design is embodied that form no part of the claimed design.

The long dash-short dash broken lines are for defining the bounds of the claimed design only and form no part of the claimed design.

1 Claim, 7 Drawing Sheets



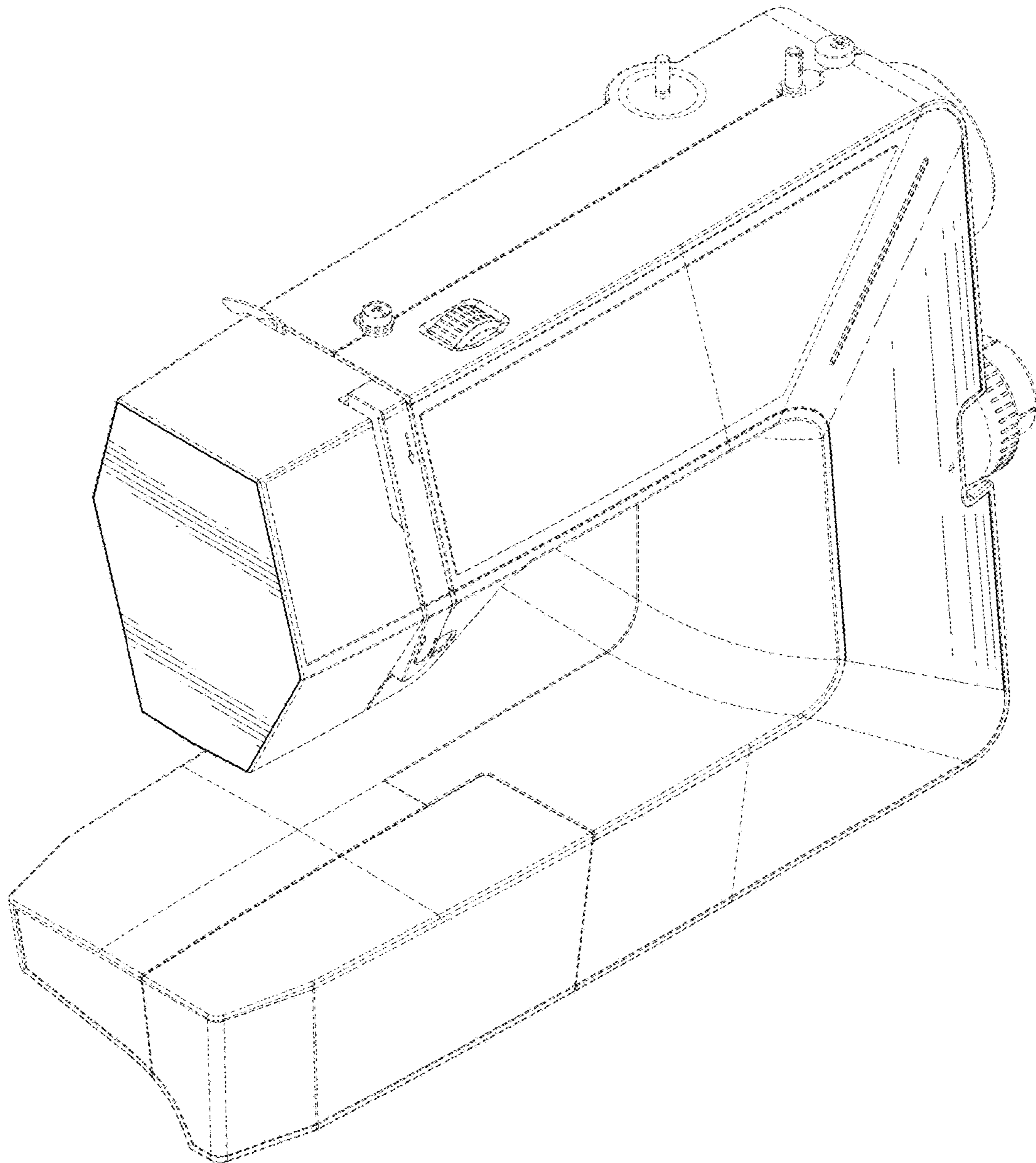


FIG.1

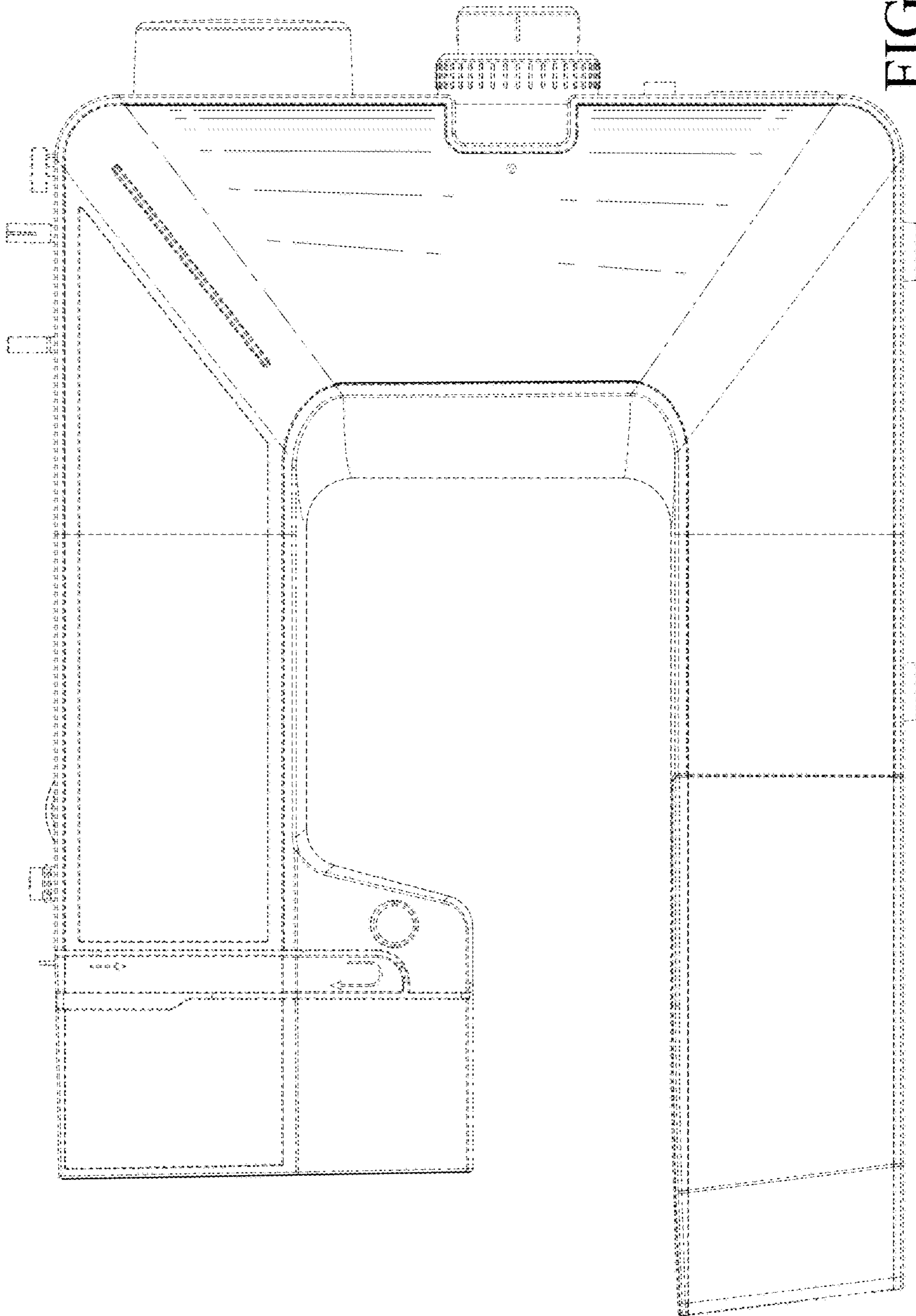


FIG. 2

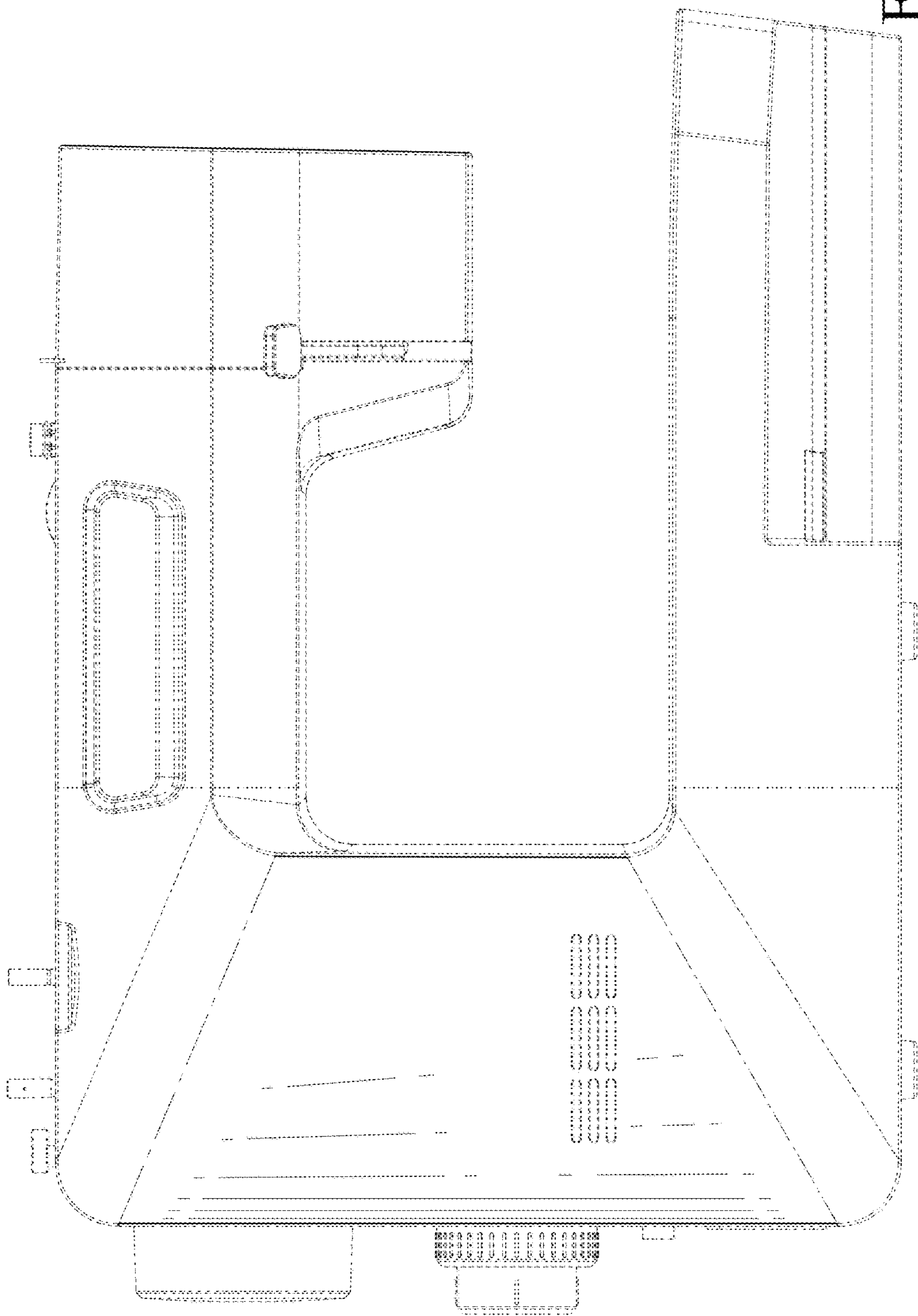


FIG. 3

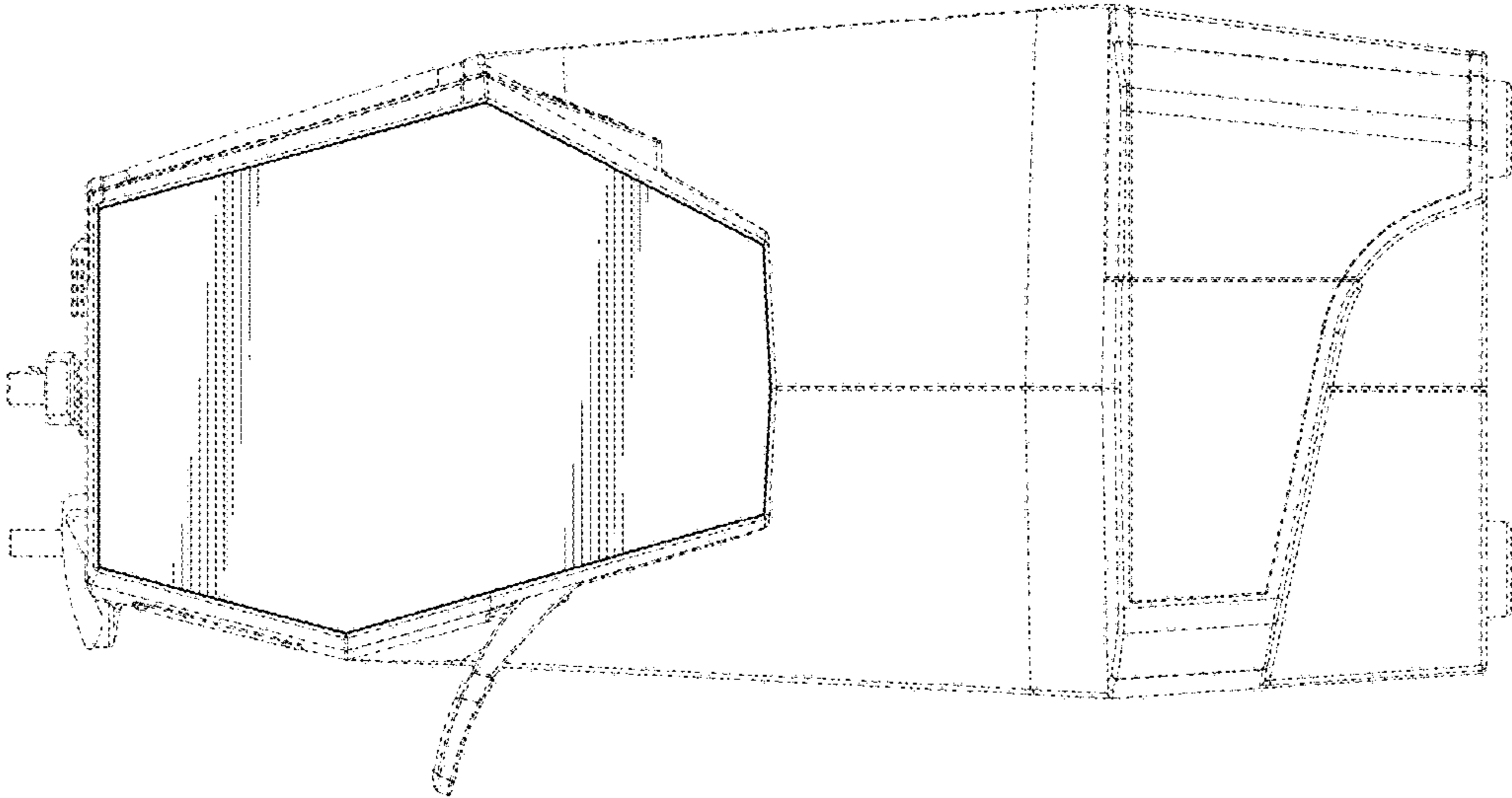


FIG.4

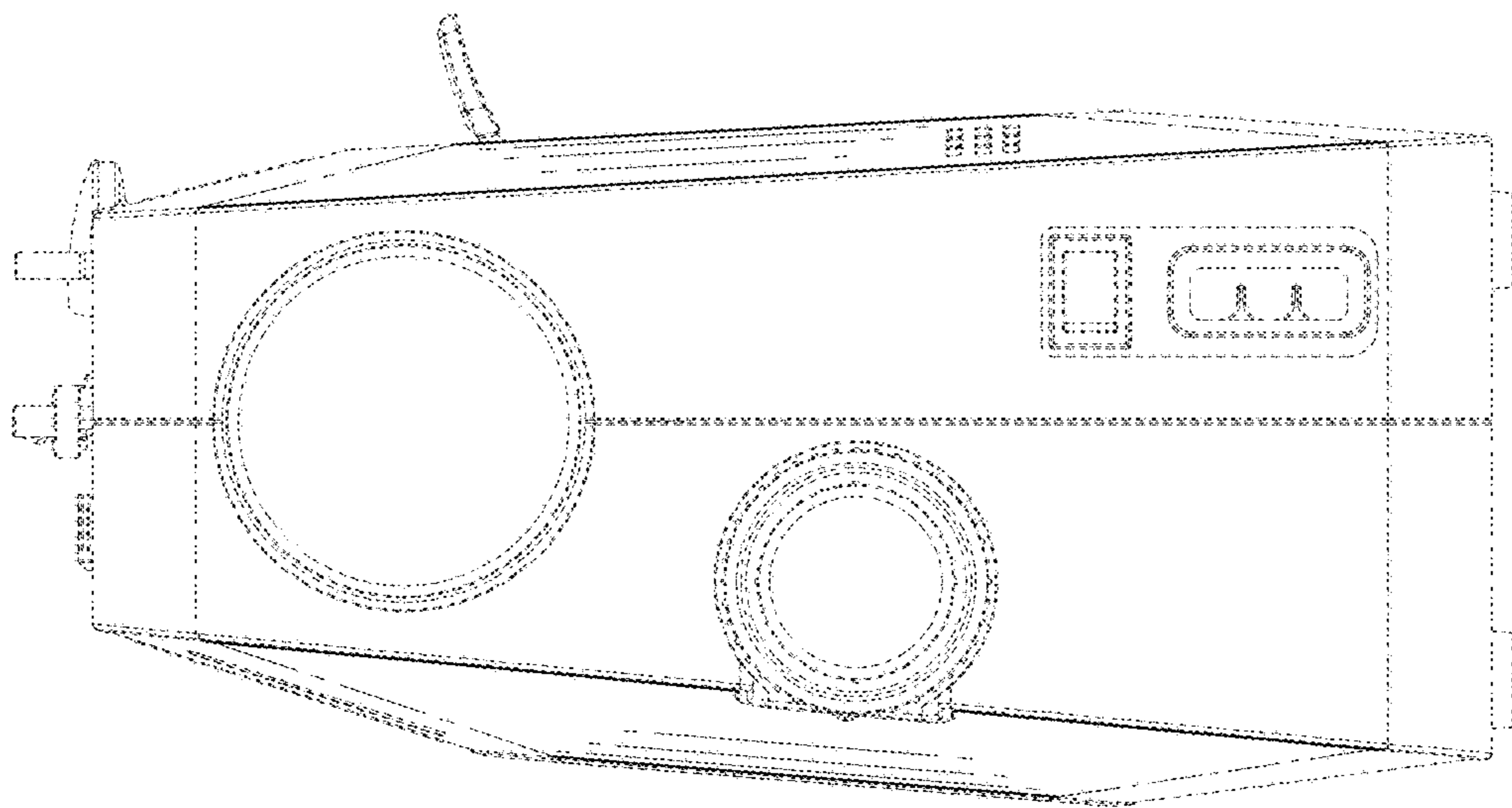


FIG. 5

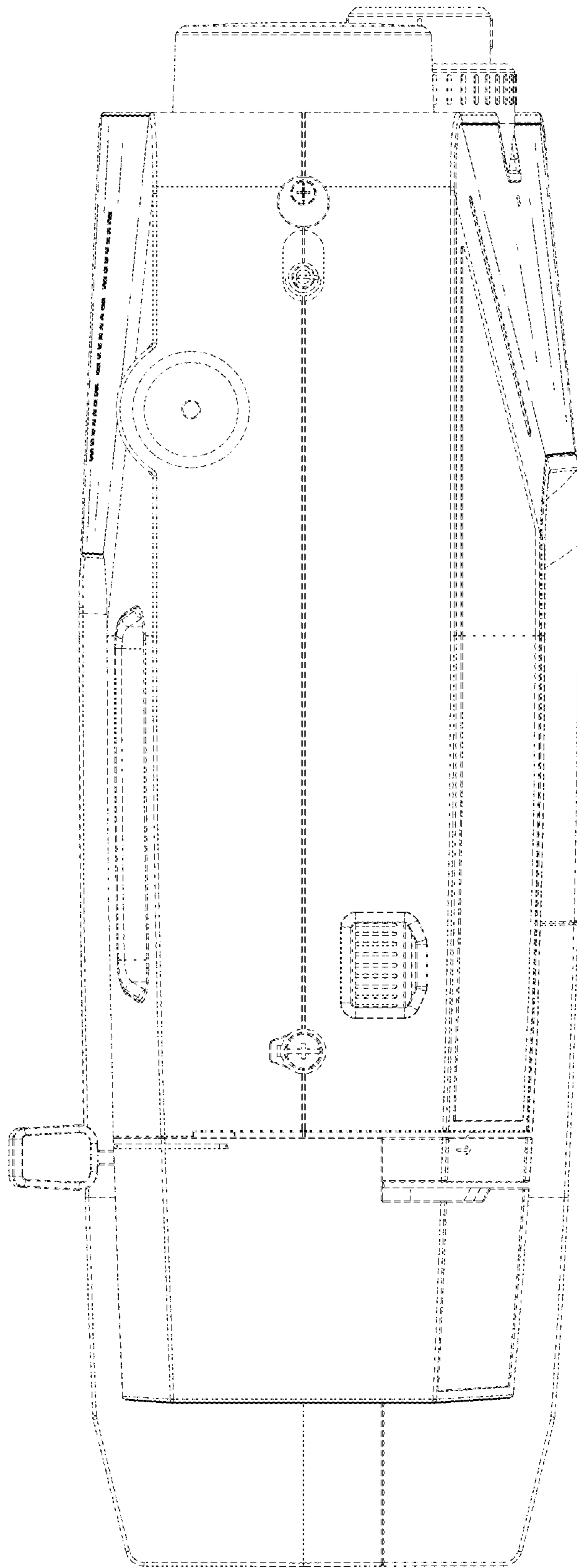


FIG.6

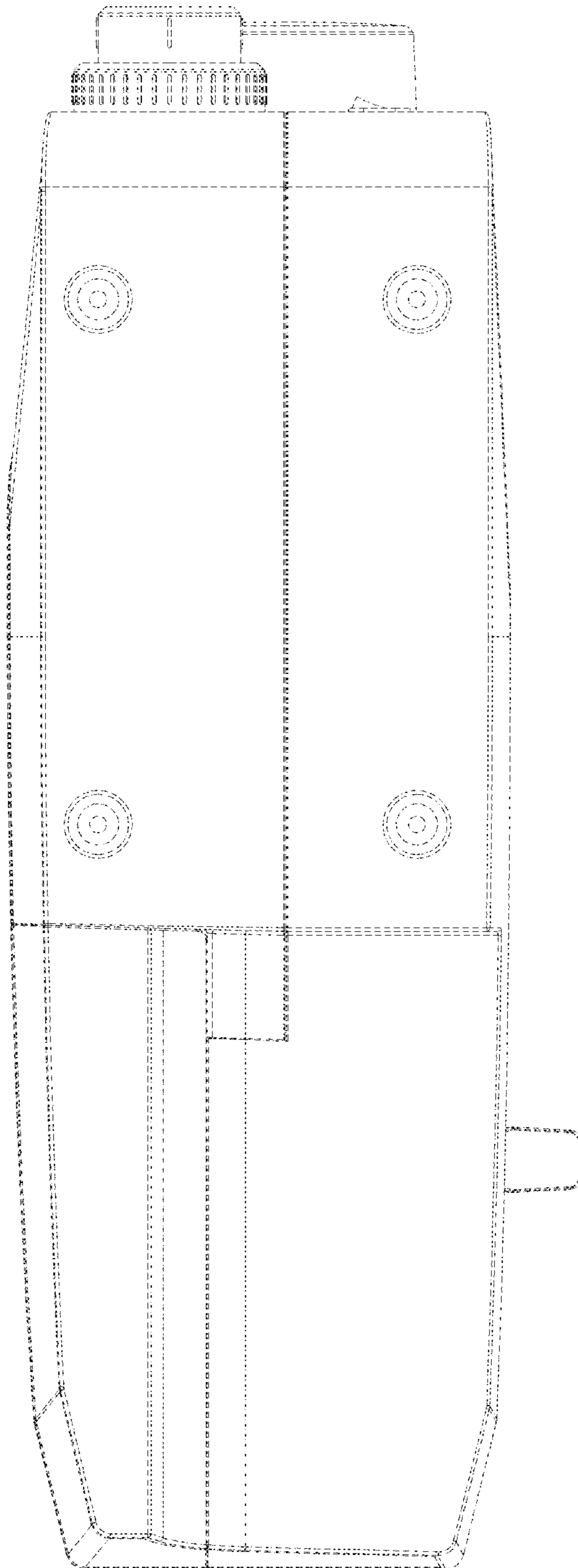


FIG. 7