



US00D831703S

(12) **United States Design Patent**  
**Hotta**

(10) **Patent No.:** **US D831,703 S**

(45) **Date of Patent:** **\*\* Oct. 23, 2018**

(54) **RECIPROCATING COMPRESSOR**

(71) Applicant: **MAX CO., LTD.**, Tokyo (JP)

(72) Inventor: **Satoshi Hotta**, Tokyo (JP)

(73) Assignee: **MAX CO., LTD.**, Tokyo (JP)

(\*\*) Term: **15 Years**

(21) Appl. No.: **29/622,355**

(22) Filed: **Oct. 17, 2017**

(30) **Foreign Application Priority Data**

Apr. 20, 2017 (JP) ..... 2017-008515

(51) **LOC (11) Cl.** ..... **15-02**

(52) **U.S. Cl.**  
USPC ..... **D15/9**

(58) **Field of Classification Search**

USPC ..... D15/7-9; D23/231, 232, 225; 417/60,  
417/235, 265, 321, 355, 358, 363, 359,  
417/410.1, 415-416, 405, 900, 269, 539;  
60/408, 412; 184/26-37; 415/140-147;  
123/495, 509; 137/565.34

CPC ..... F02M 37/04; F02M 37/14; F04B 53/92;  
F04B 1/005; F04D 13/06; F04D 29/22;  
F04D 29/046; F04D 29/2266

See application file for complete search history.

(56) **References Cited**

**U.S. PATENT DOCUMENTS**

D500,051 S \* 12/2004 Lucchi ..... D15/9  
D603,879 S \* 11/2009 Kosugi ..... D15/9

D635,589 S \* 4/2011 Bongard ..... D15/9  
D664,158 S \* 7/2012 Balma ..... D15/9  
D666,217 S \* 8/2012 Pruszynski ..... D15/7  
D667,467 S \* 9/2012 Kosugi ..... D15/9  
D776,168 S \* 1/2017 Balma ..... D15/9  
D788,825 S \* 6/2017 Hawkins ..... D15/7  
D816,123 S \* 4/2018 Hawkins ..... D15/9

\* cited by examiner

*Primary Examiner* — Ralf Seifert

(74) *Attorney, Agent, or Firm* — Drinker Biddle & Reath  
LLP

(57) **CLAIM**

The ornamental design for a reciprocating compressor, as shown and described.

**DESCRIPTION**

FIG. 1 is a perspective view of top, front and left side of a reciprocating compressor showing my new design;  
FIG. 2 is a perspective view of top, rear and right side thereof;

FIG. 3 is a front view thereof;

FIG. 4 is a rear view thereof;

FIG. 5 is a left side view thereof;

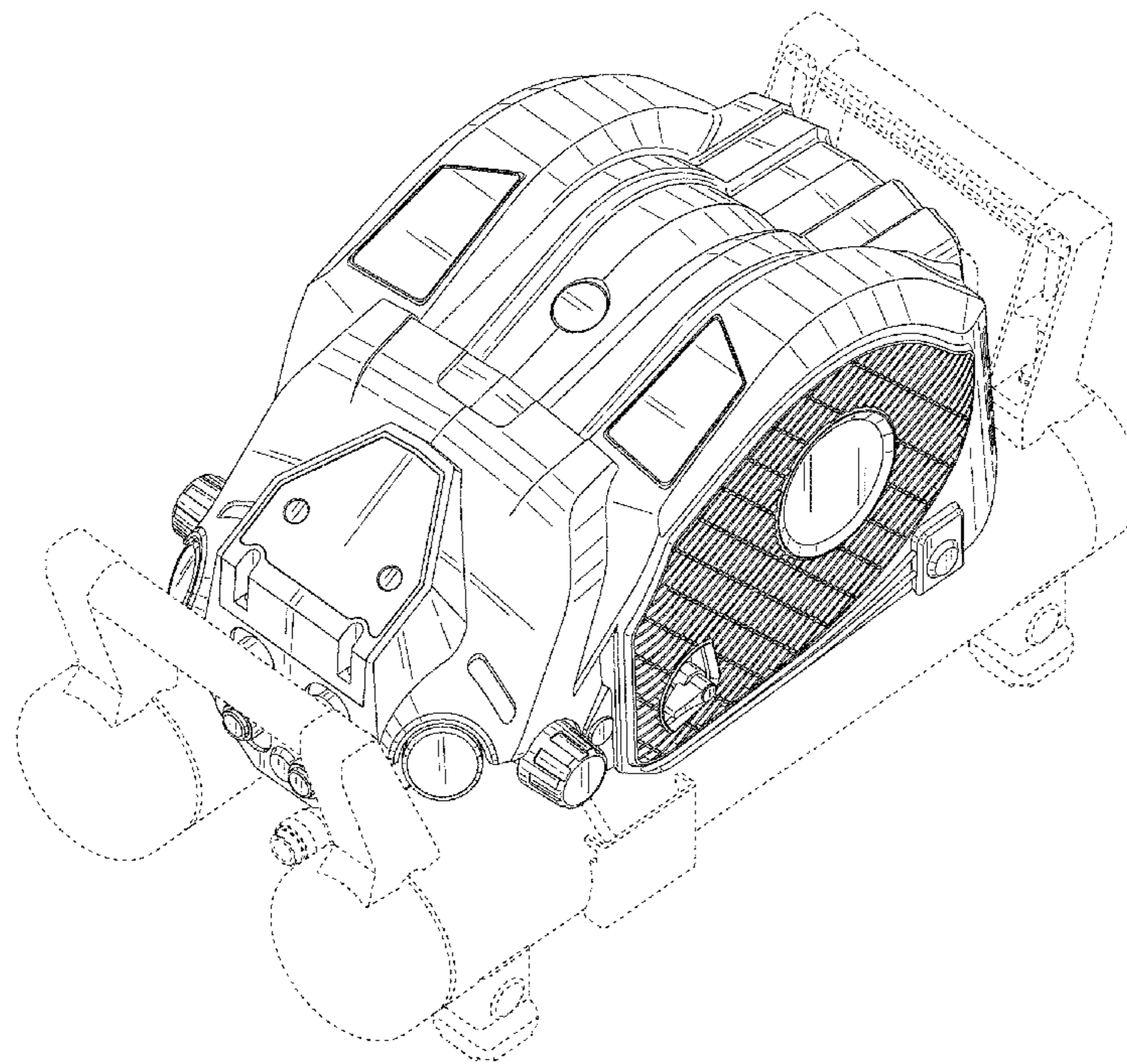
FIG. 6 is a right side view thereof;

FIG. 7 is a top view thereof; and,

FIG. 8 is a bottom view thereof.

The broken lines shown are included for the purpose of illustrating the portions of a reciprocating compressor that form no part of the claimed design.

**1 Claim, 7 Drawing Sheets**



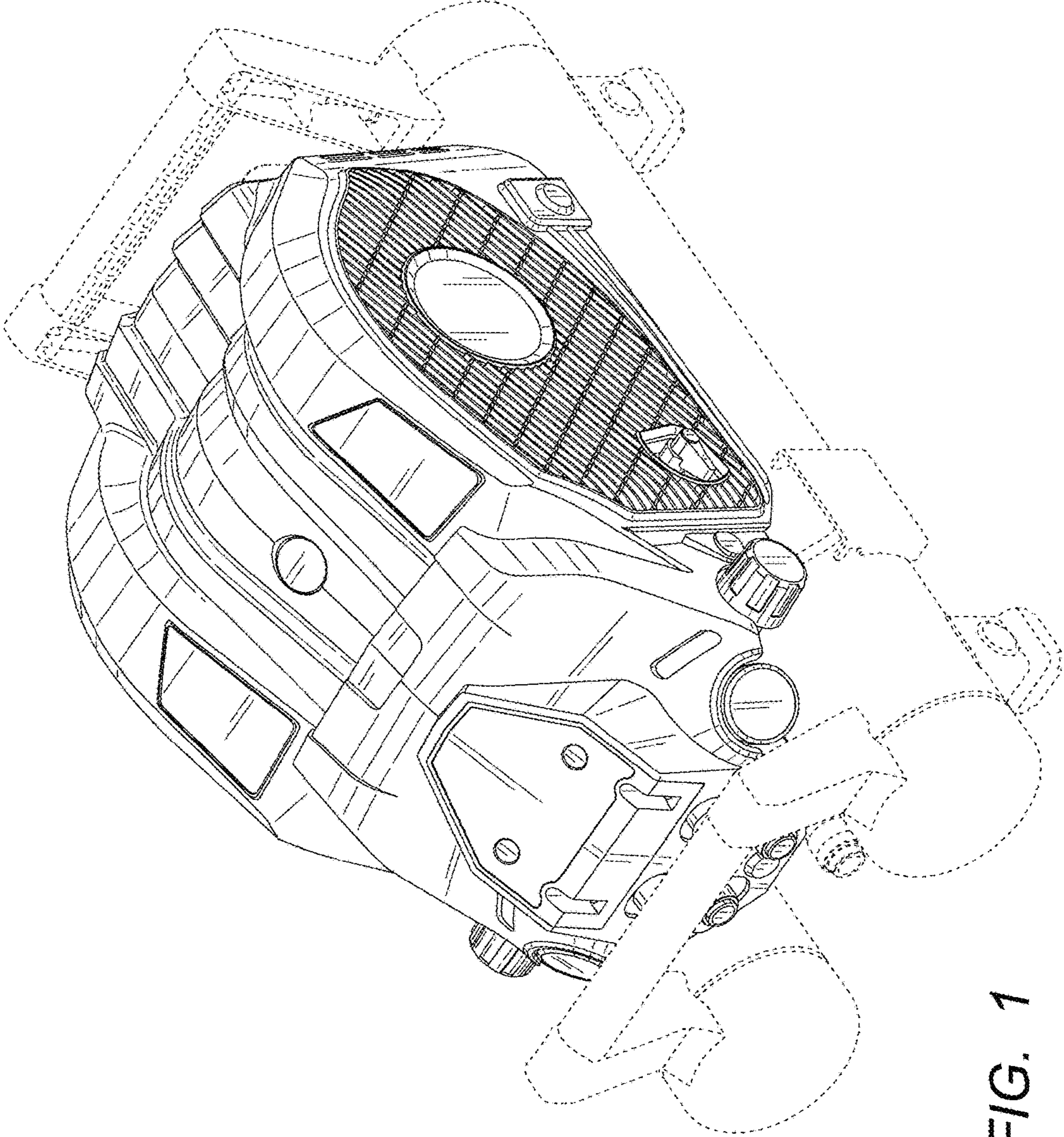


FIG. 1

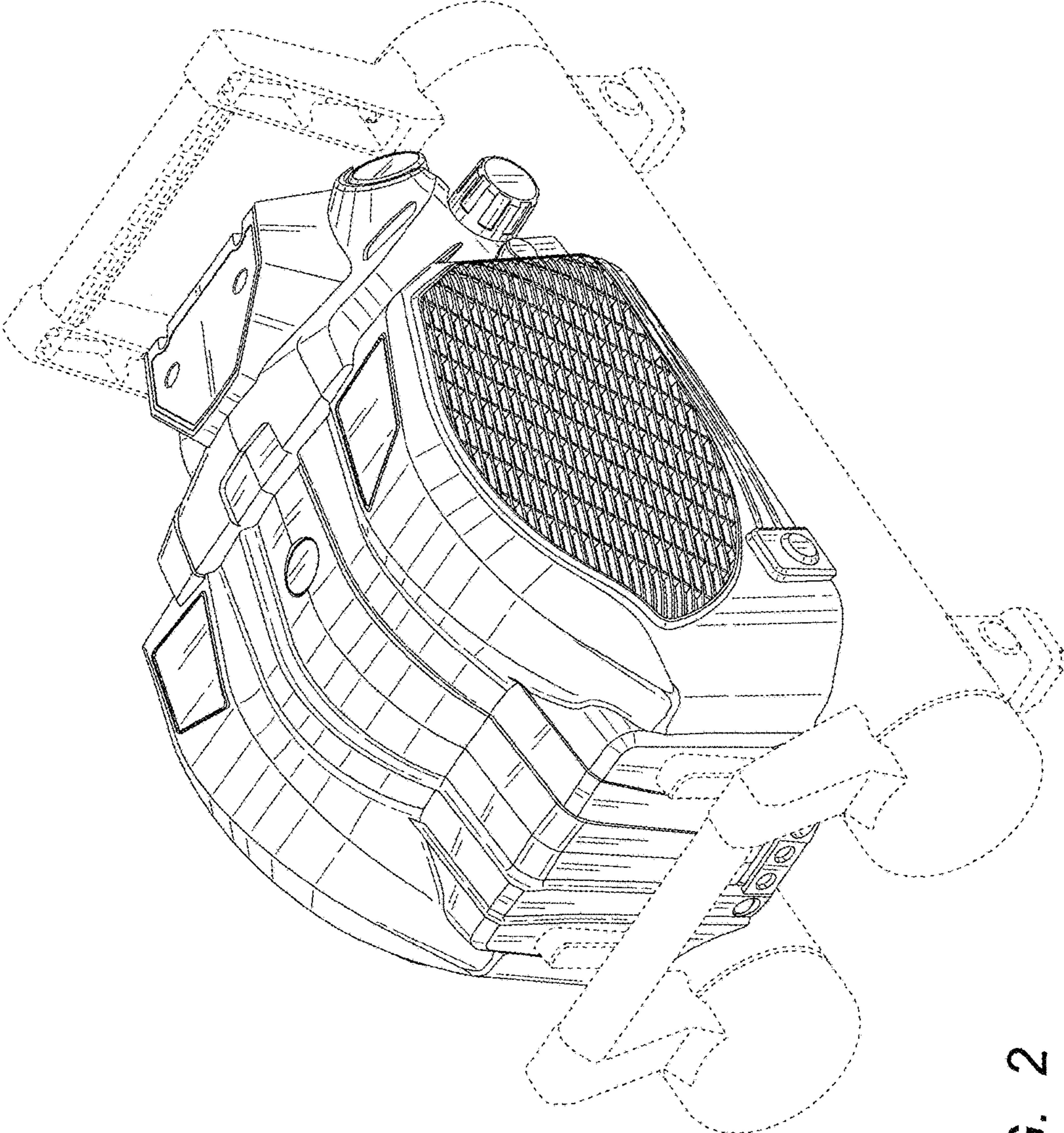


FIG. 2

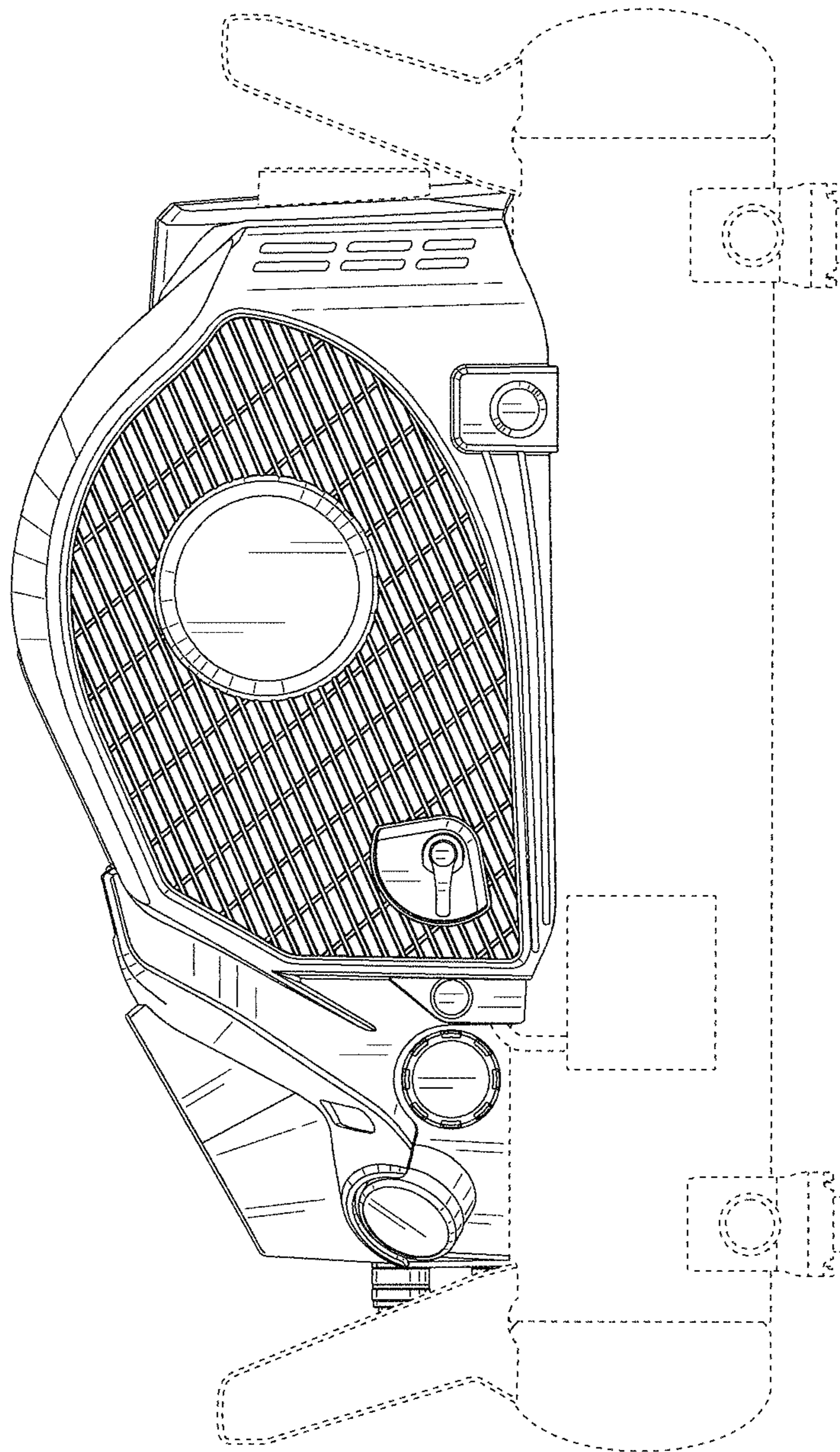


FIG. 3

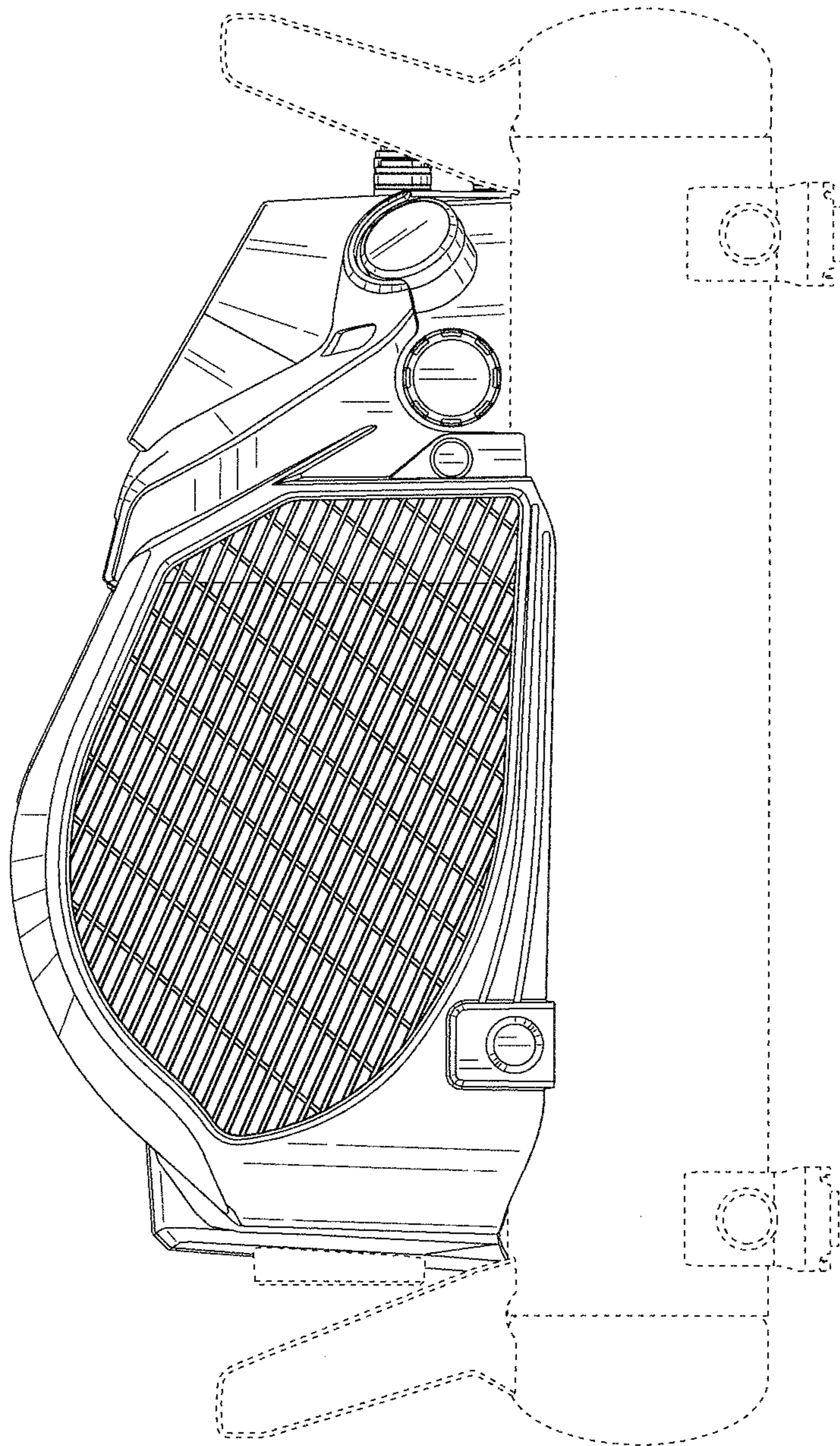


FIG. 4

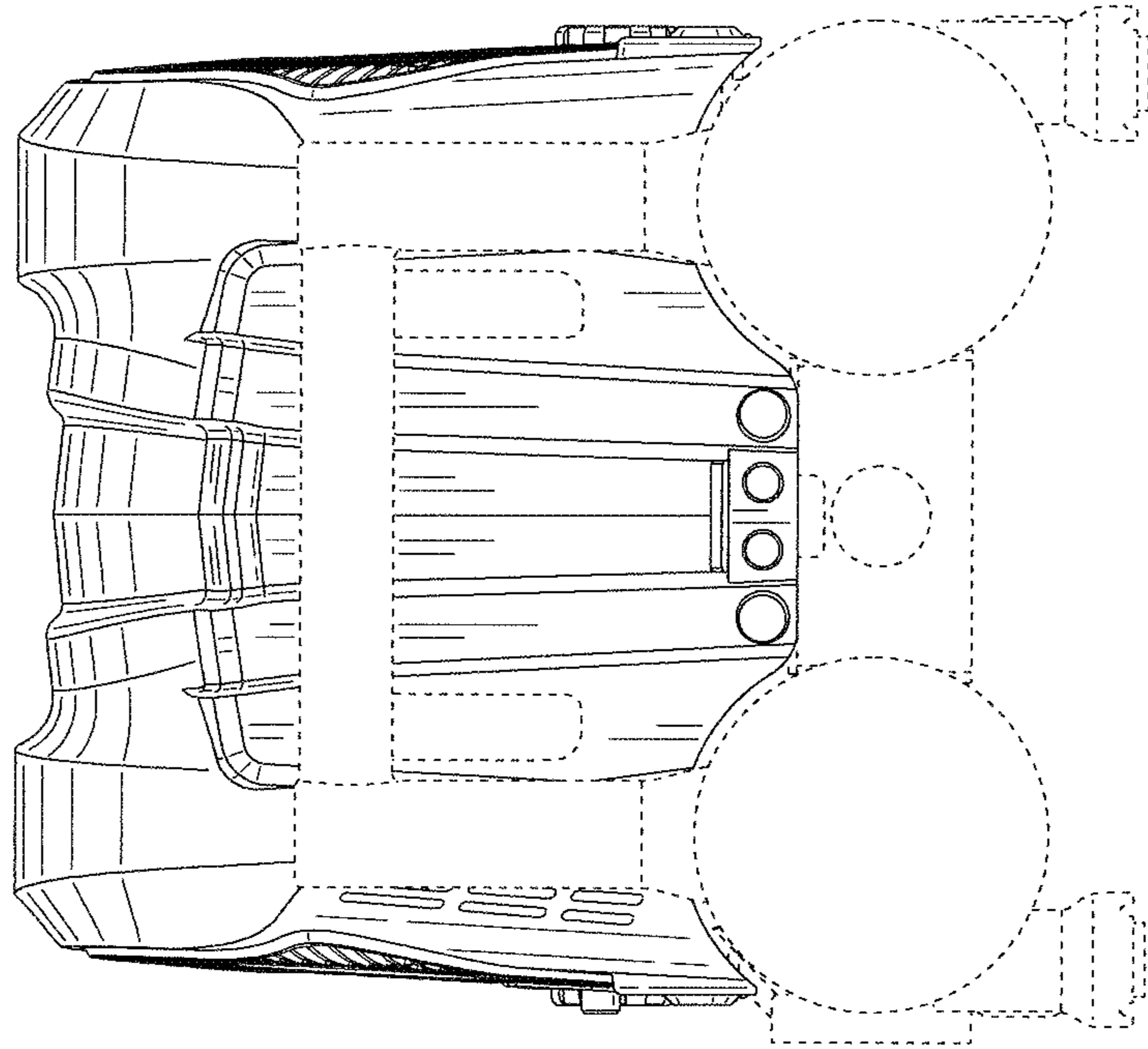


FIG. 6

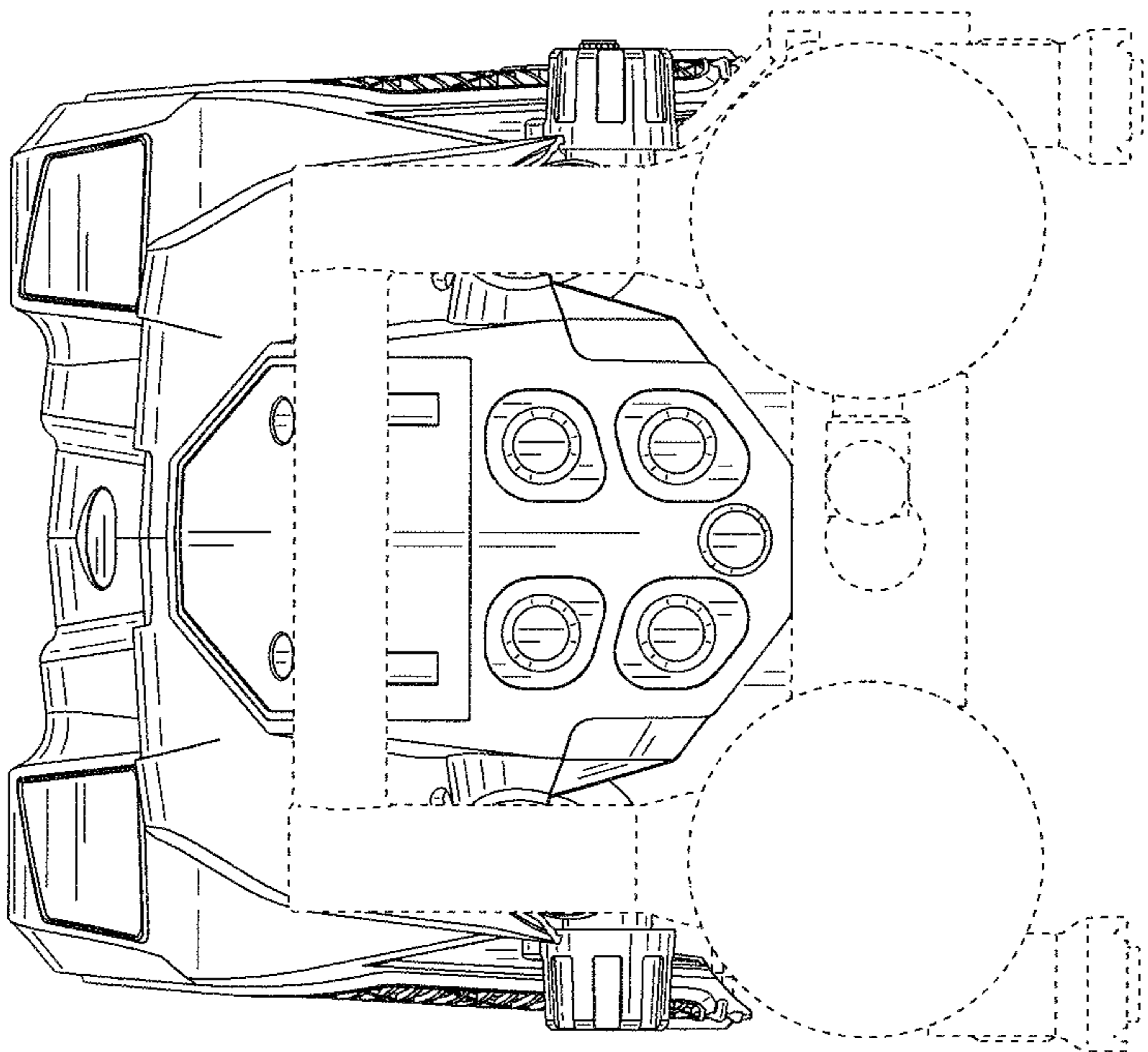


FIG. 5

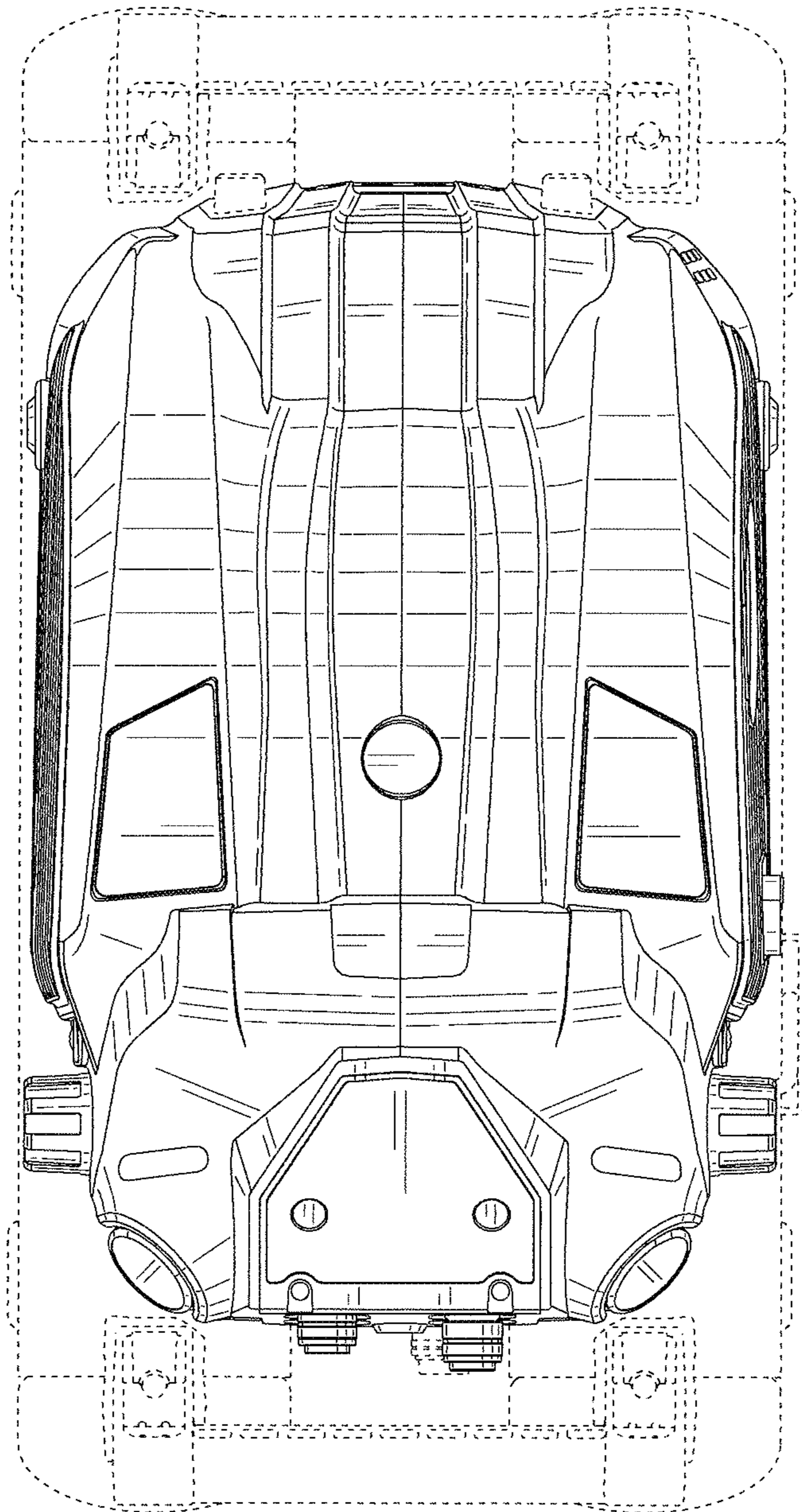


FIG. 7

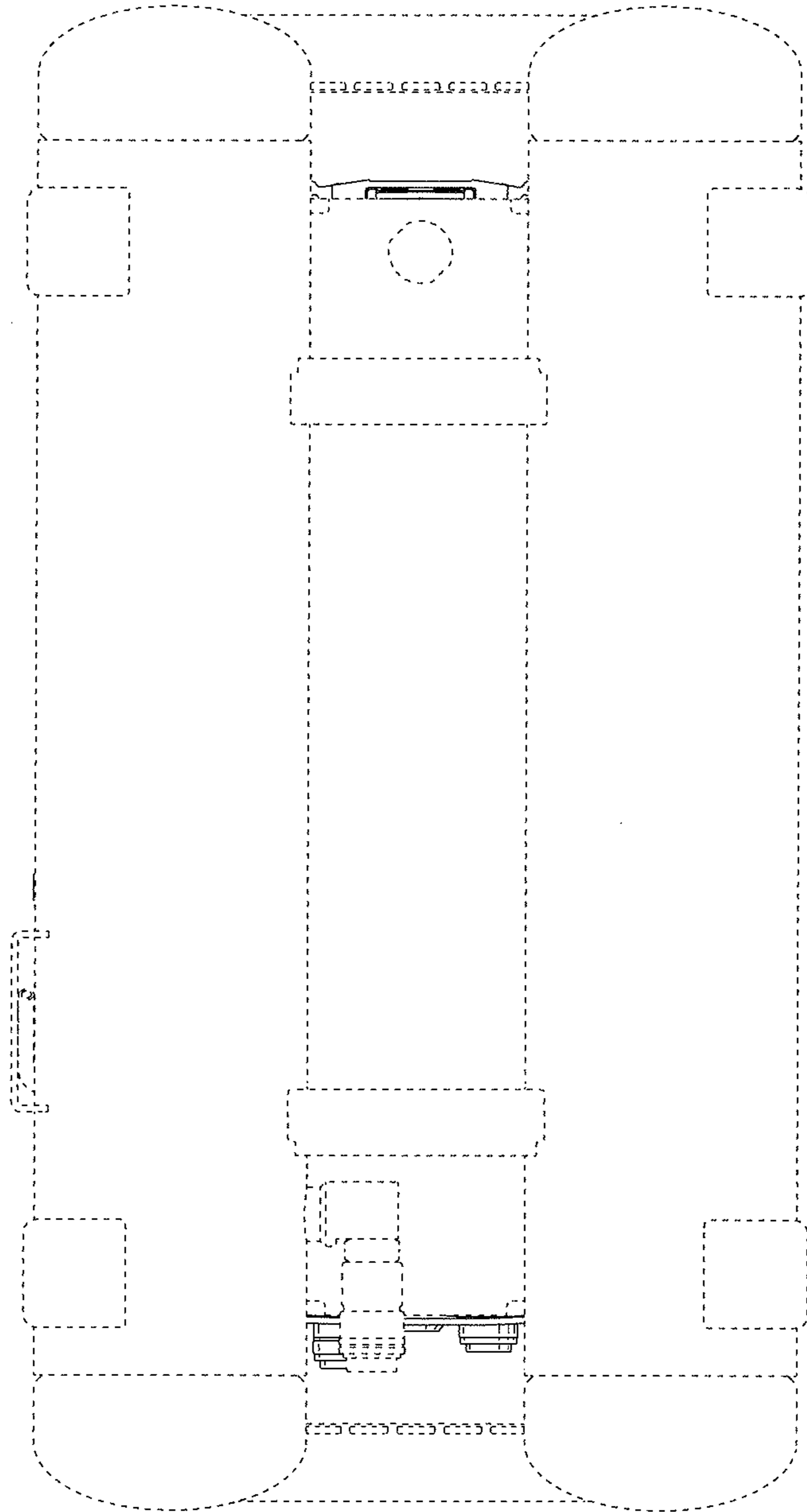


FIG. 8