



US00D831702S

(12) **United States Design Patent**
Wilkins

(10) **Patent No.:** **US D831,702 S**
(45) **Date of Patent:** **** Oct. 23, 2018**

- (54) **STATOR**
- (71) Applicant: **Wilkins IP, LLC**, New Albany, IN (US)
- (72) Inventor: **Stephen P. Wilkins**, Floyds Knobs, IN (US)
- (73) Assignee: **Wilkins IP, LLC**, New Albany, IN (US)
- (**) Term: **15 Years**
- (21) Appl. No.: **29/597,942**
- (22) Filed: **Mar. 21, 2017**
- (51) **LOC (11) Cl.** **15-01**
- (52) **U.S. Cl.**
USPC **D15/5; D15/7**
- (58) **Field of Classification Search**
USPC D15/5-9; D23/231, 232, 225; D13/122, D13/112, 113, 114
CPC ... F16K 17/02; F04D 1/04; F04D 7/04; F04D 29/0462; F04D 29/047; F04D 29/181; F04D 29/20; F04D 29/628
See application file for complete search history.

- 6,533,557 B1 * 3/2003 Williams A01C 23/042 137/262
- 6,715,437 B1 * 4/2004 Wilkins B63B 25/082 114/74 R
- 8,226,352 B2 * 7/2012 Gutierrez F04D 13/02 415/112
- 9,347,456 B2 * 5/2016 Parry B29C 33/52
- D762,579 S * 8/2016 Wilkins D13/122

(Continued)

Primary Examiner — T Chase Nelson
Assistant Examiner — Ania Aman
(74) *Attorney, Agent, or Firm* — Lee & Hayes, PLLC

(57) **CLAIM**

The ornamental design for a stator, as shown and described.

DESCRIPTION

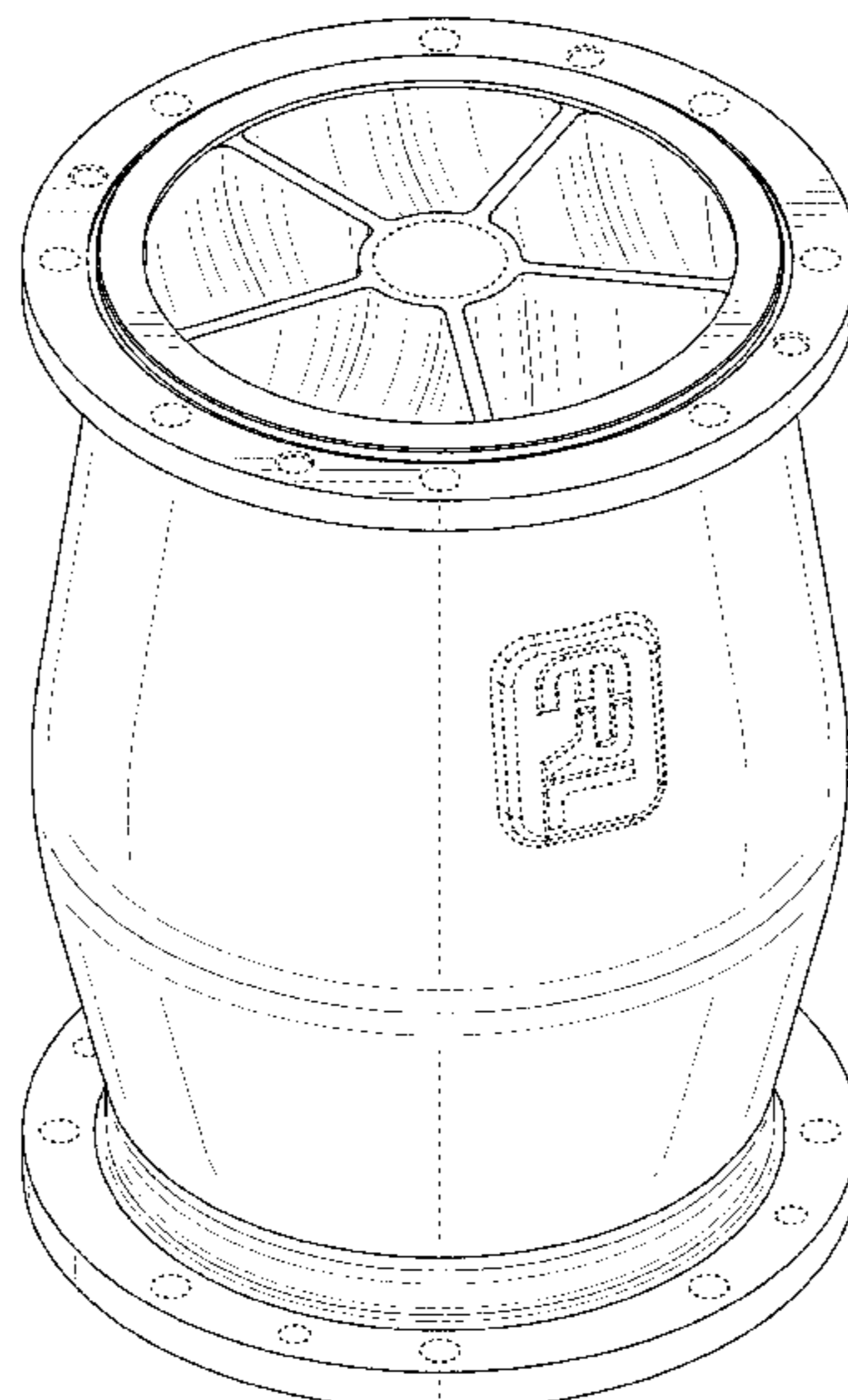
FIG. 1 is a first perspective view of a stator, taken from above.
 FIG. 2 is a second perspective view of the stator, taken from below.
 FIG. 3 is a front view of the stator of FIG. 1.
 FIG. 4 is a back view of the stator of FIG. 1.
 FIG. 5 is a top view of the stator of FIG. 1.
 FIG. 6 is a bottom view of the stator of FIG. 1.
 FIG. 7 is a cross-sectional view of the stator taken along the line 7-7 shown in FIG. 6.
 FIG. 8 is a cross-sectional view of the stator taken along the line 8-8 shown in FIG. 6.
 FIG. 9 is a perspective view of a cross-section of the stator taken along the line 9-9 shown in FIG. 6.
 FIG. 10 is a perspective view of a cross-section of the stator taken along the line 10-10 shown in FIG. 6.
 FIG. 11 is a perspective view of a cross-section of the stator taken along the line 11-11 shown in FIG. 6; and,
 FIG. 12 is a perspective view of a cross-section of the stator taken along the line 12-12 shown in FIG. 6.
 The broken lines represent features of the stator which form no part of the claimed design.

(56) **References Cited**

U.S. PATENT DOCUMENTS

- 1,822,945 A * 9/1931 Weis F04D 29/20 403/369
- 2,407,348 A * 9/1946 Schott F04D 29/20 403/354
- 4,063,849 A * 12/1977 Modianos F04D 7/045 415/182.1
- 5,496,150 A * 3/1996 Claxton, III F04D 1/04 415/219.1
- 5,993,153 A * 11/1999 Schiavello F04D 29/426 415/142
- 6,089,823 A * 7/2000 Cronin F04D 29/2288 241/46.06

1 Claim, 12 Drawing Sheets



(56)

References Cited

U.S. PATENT DOCUMENTS

D762,580 S * 8/2016 Wilkins D13/122
2011/0017309 A1* 1/2011 Koekenbier F04D 1/063
137/12
2012/0213632 A1* 8/2012 Parry B29C 33/52
415/208.1
2017/0167498 A1* 6/2017 Chang F04D 29/041

* cited by examiner

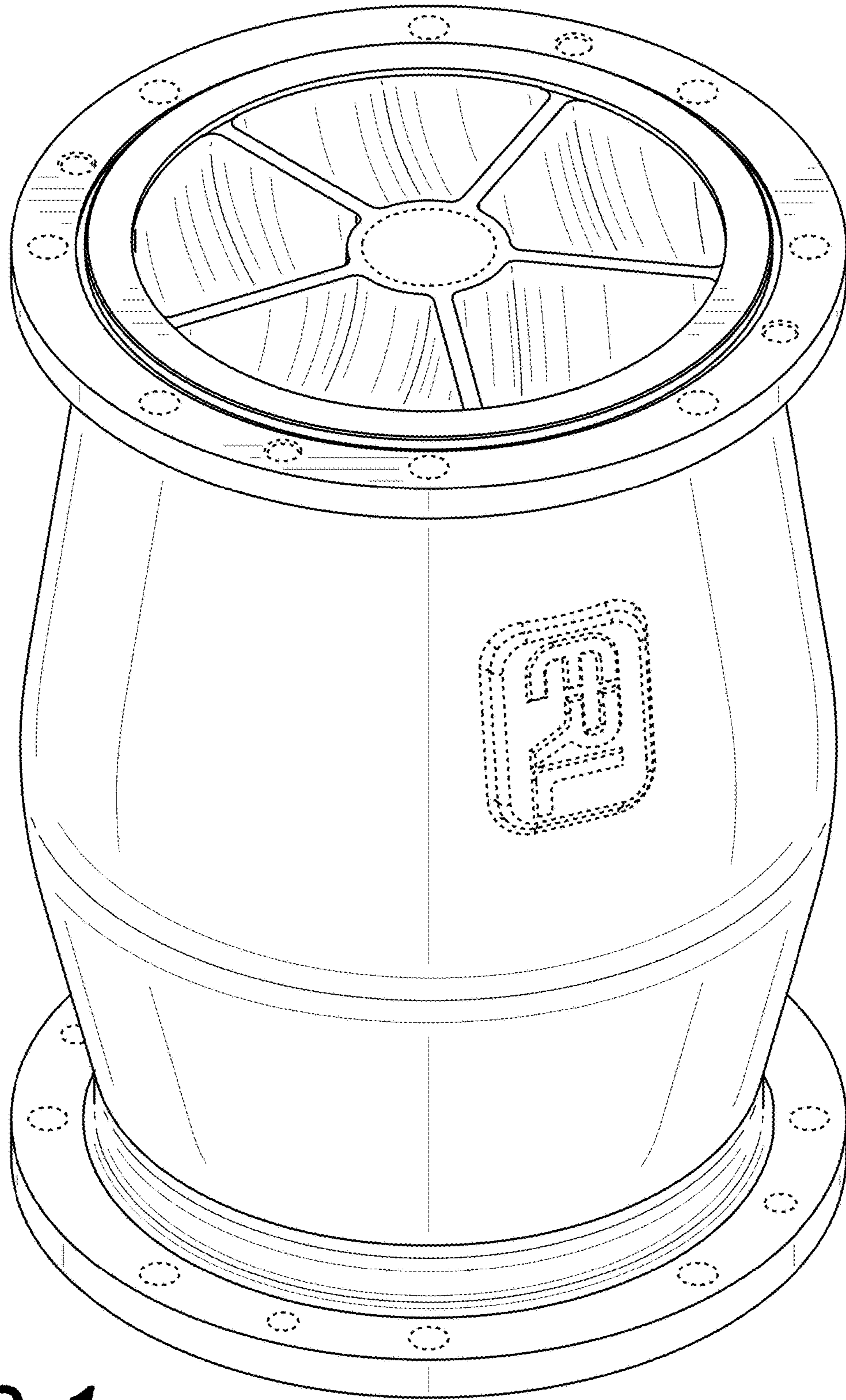


FIG. 1

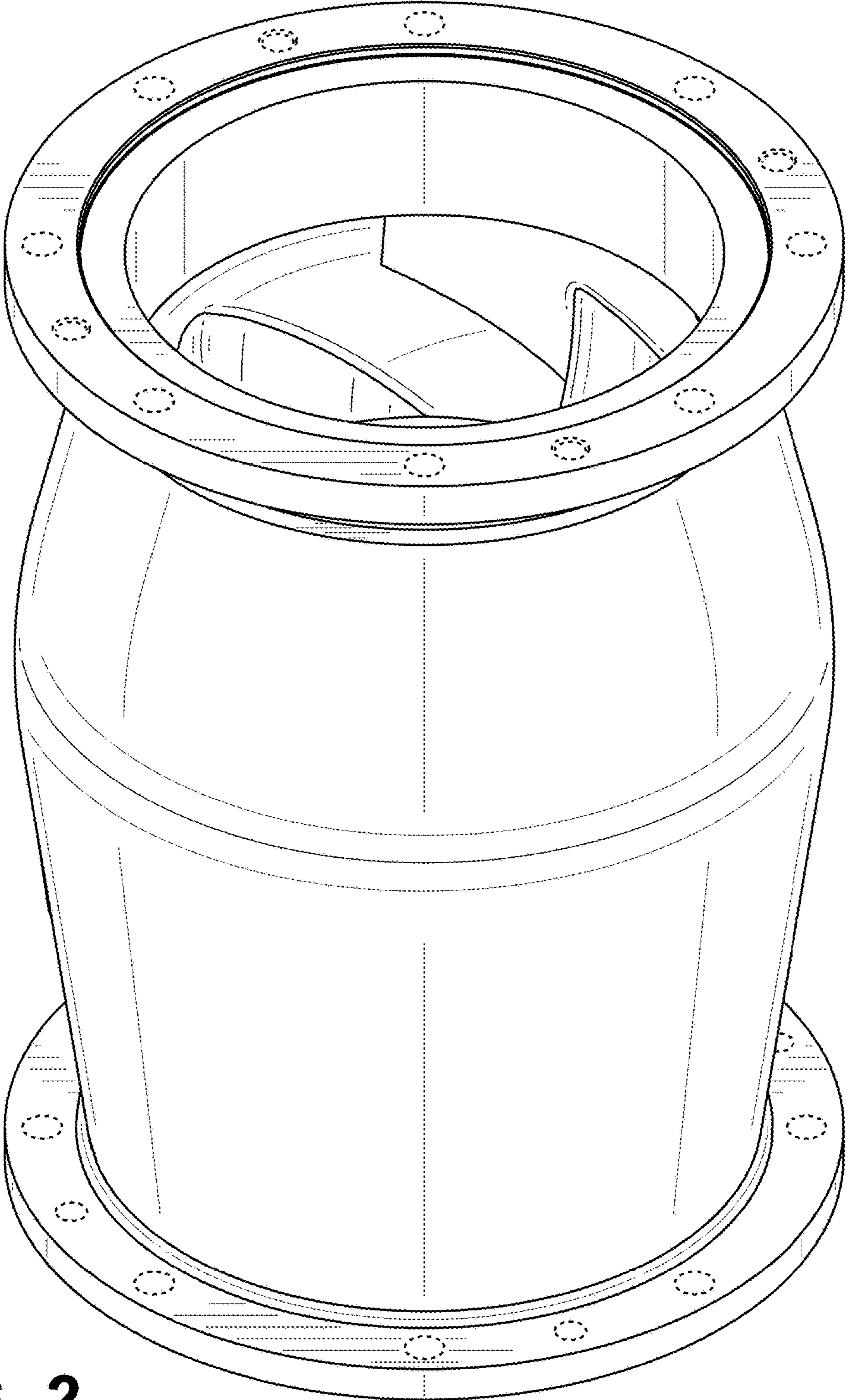


FIG. 2

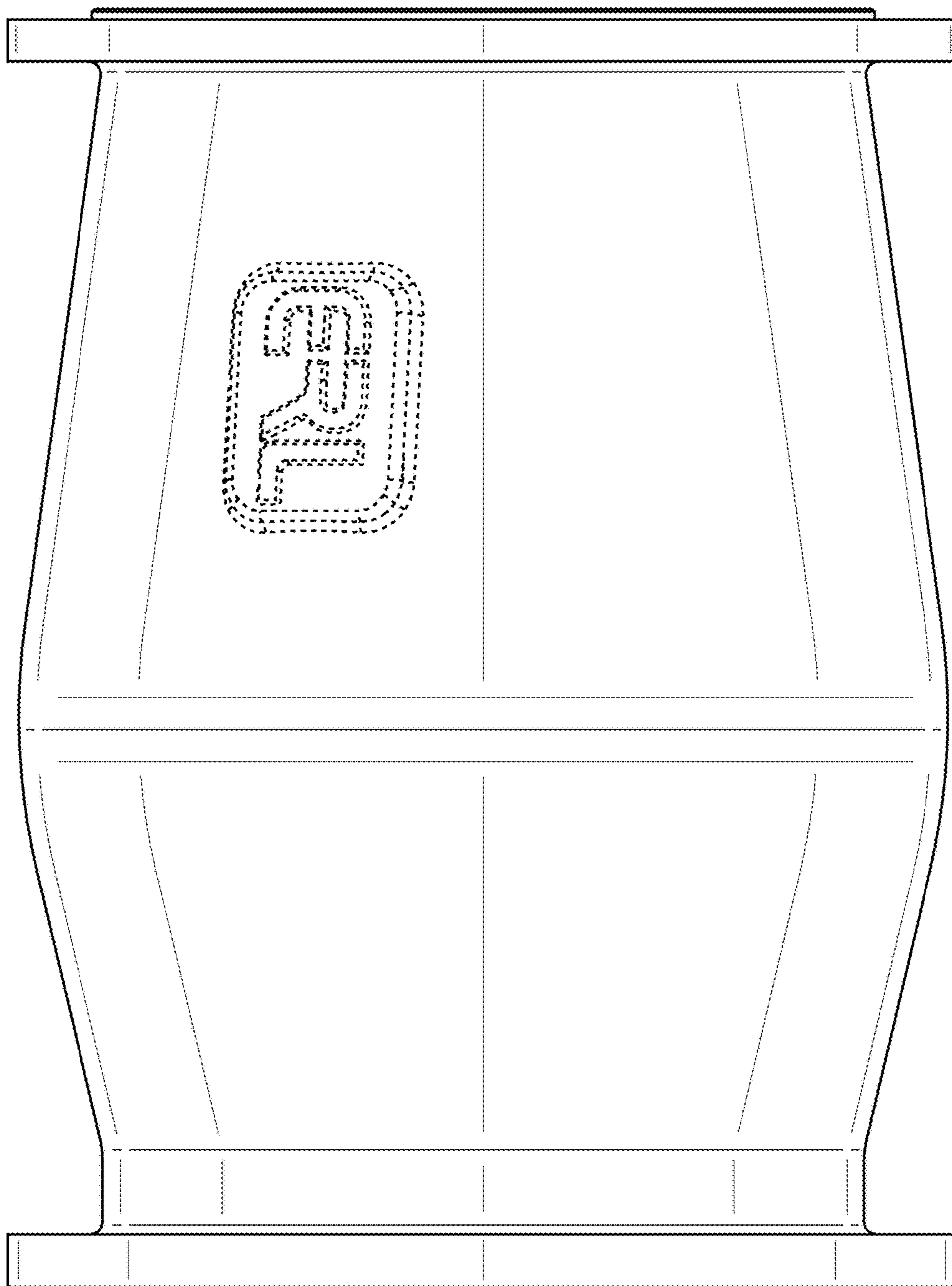


FIG. 3

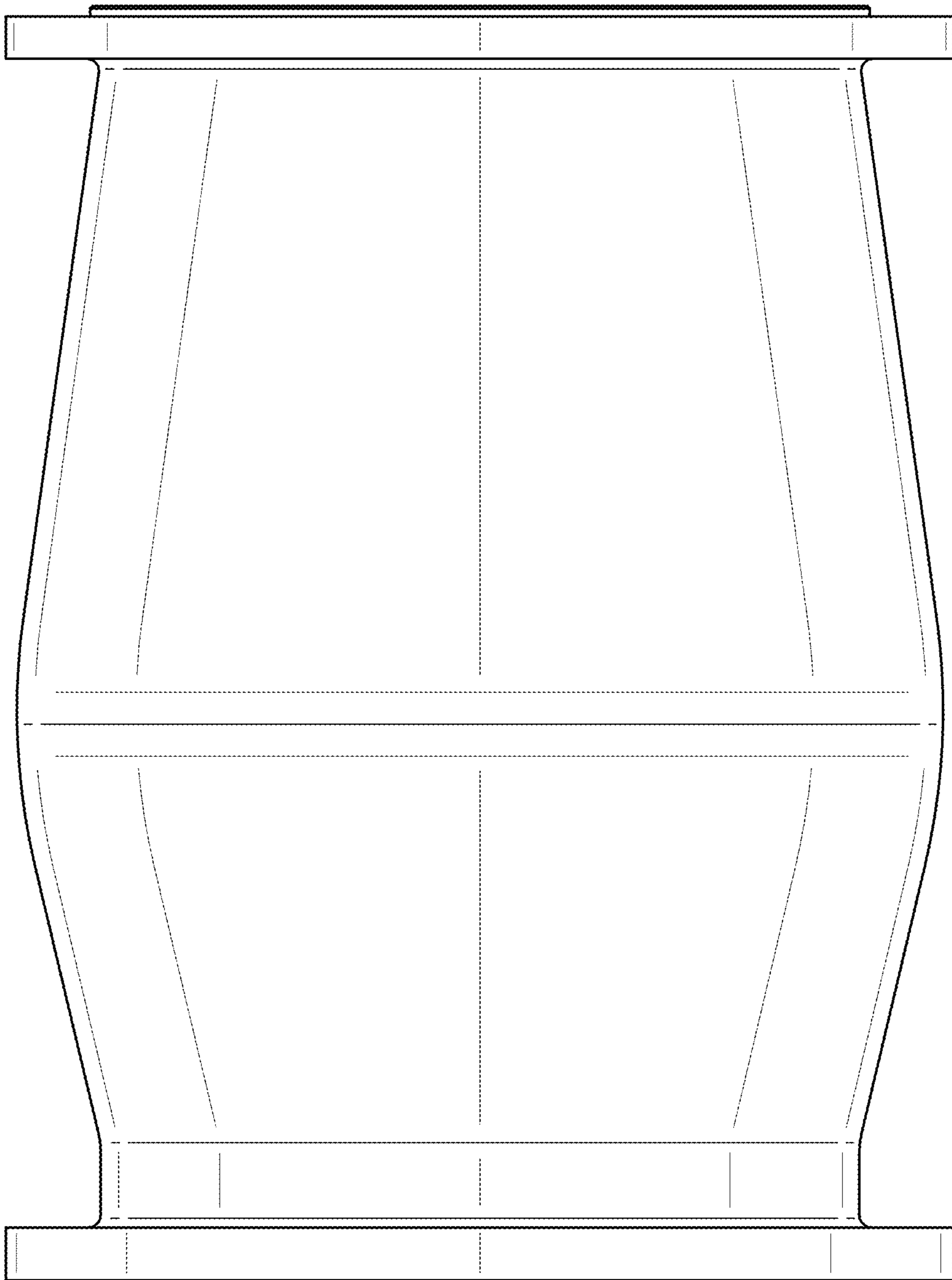


FIG. 4

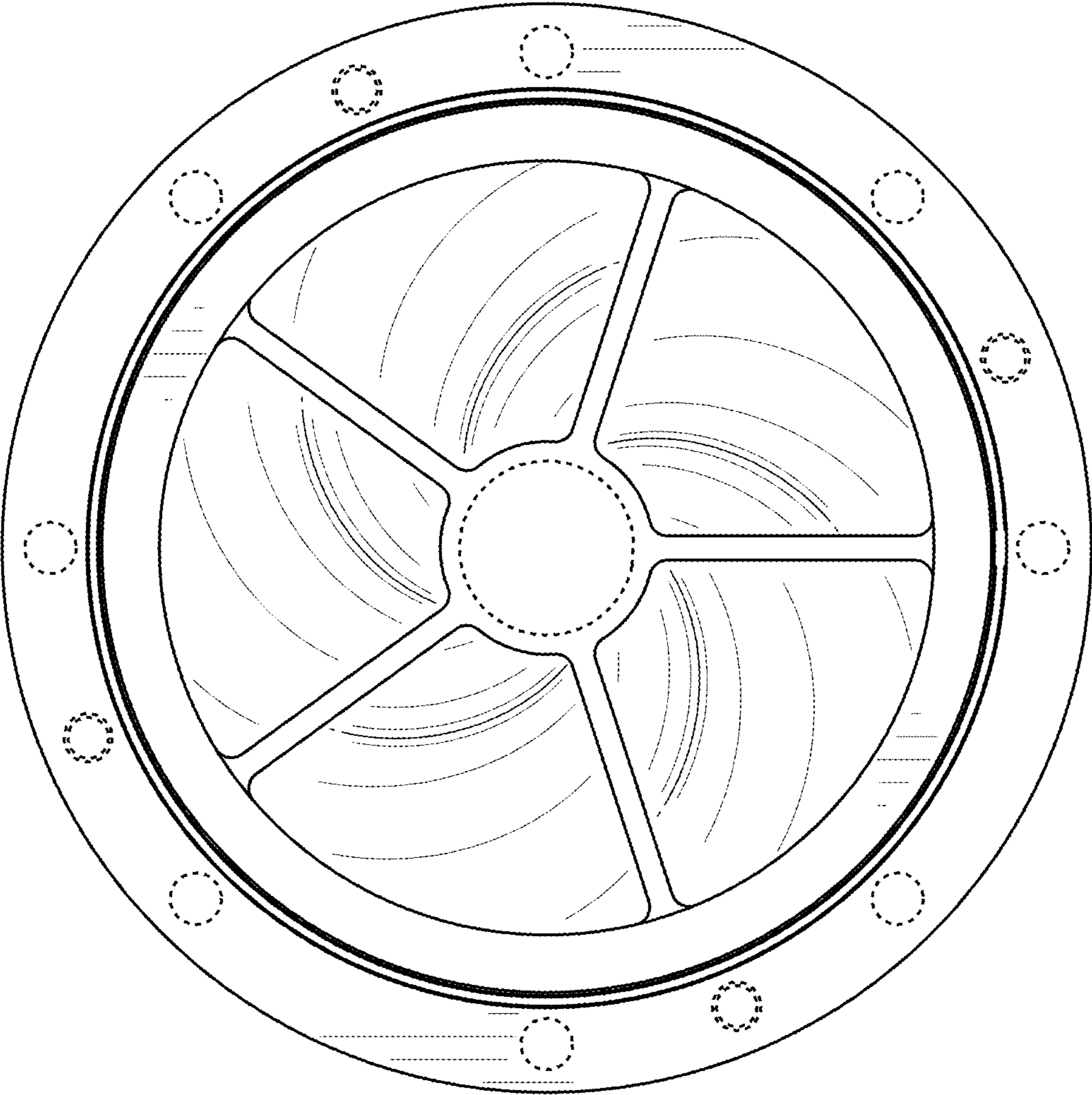


FIG. 5

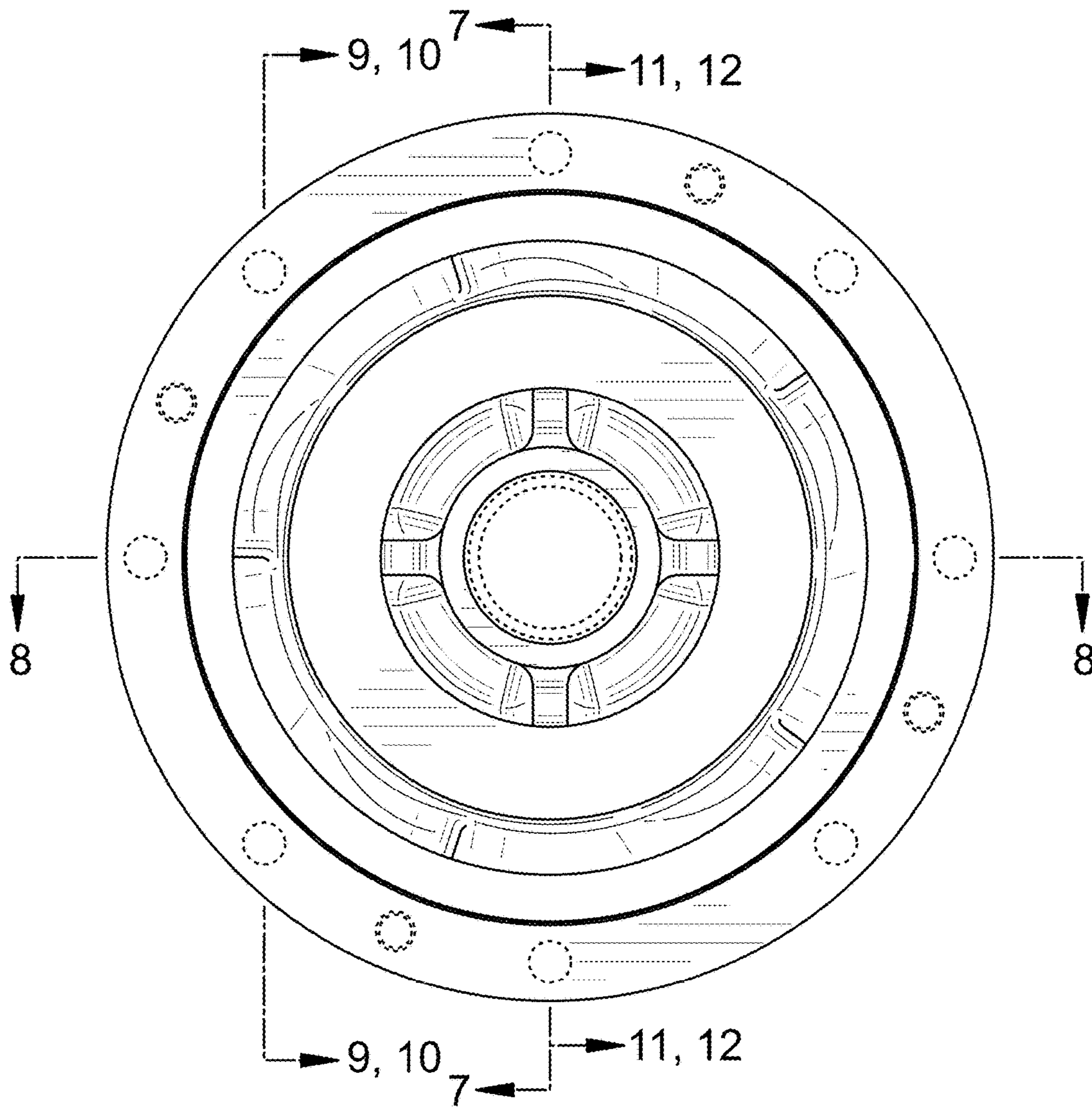


FIG. 6

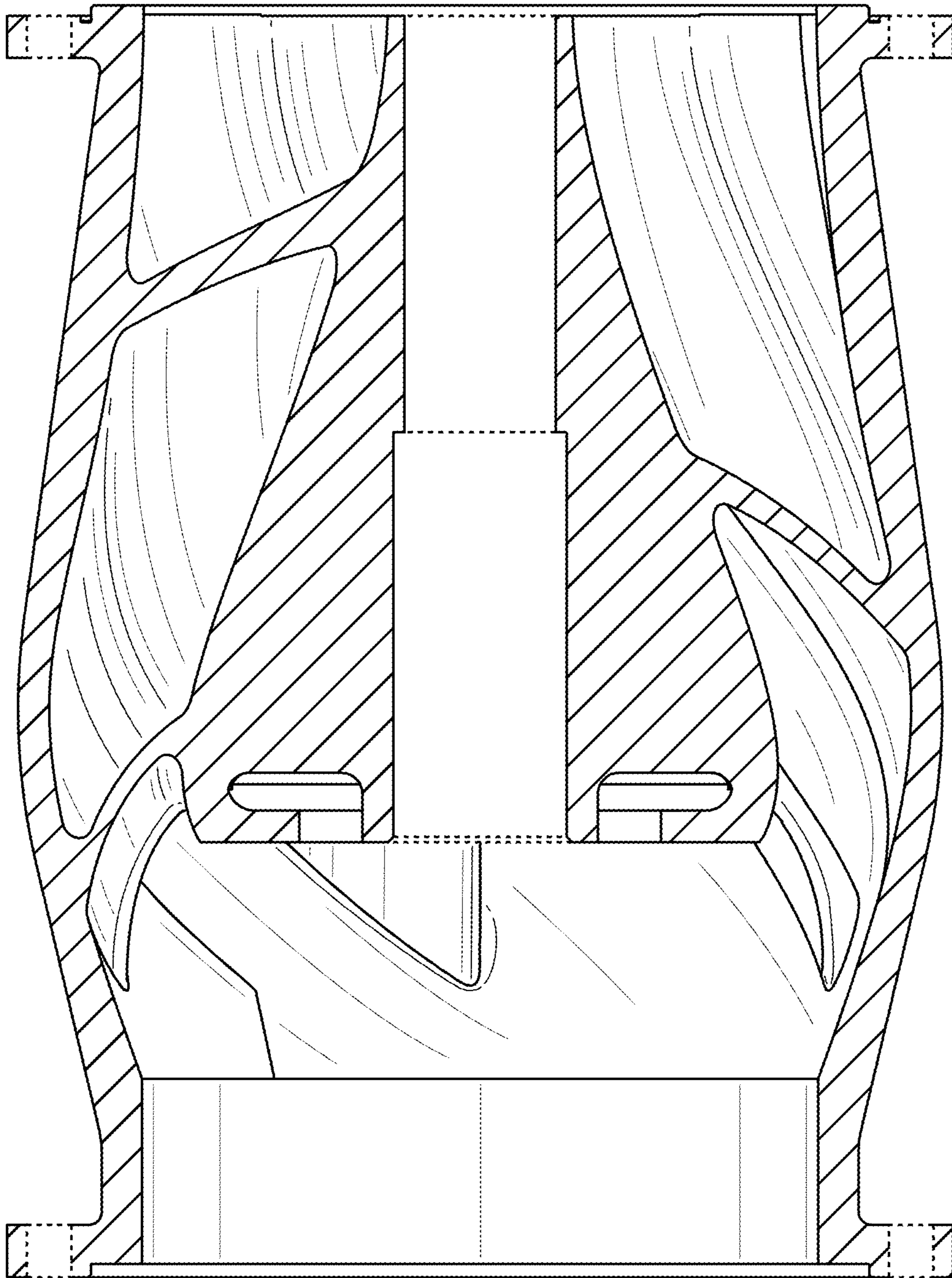


FIG. 7

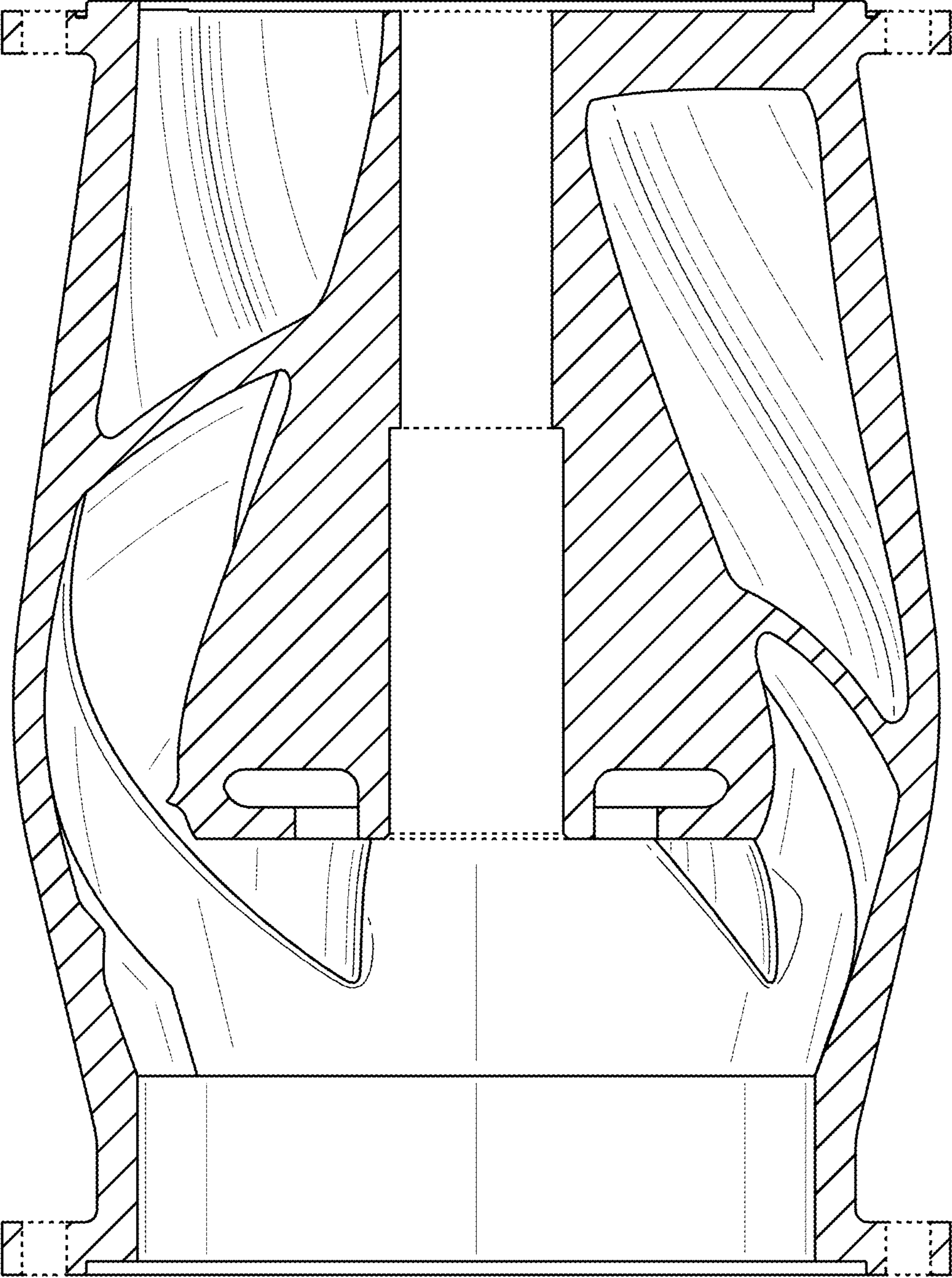


FIG. 8

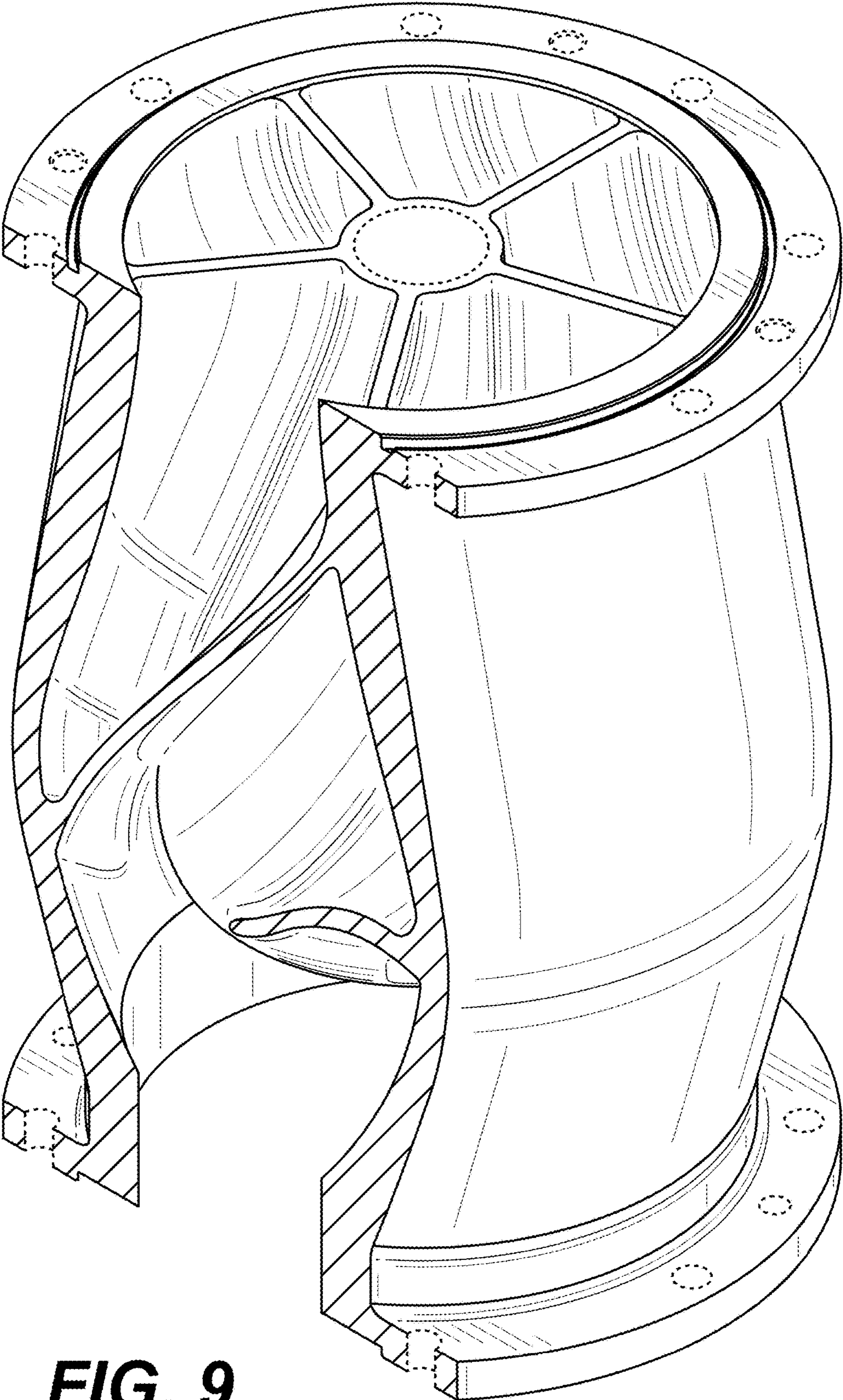


FIG. 9

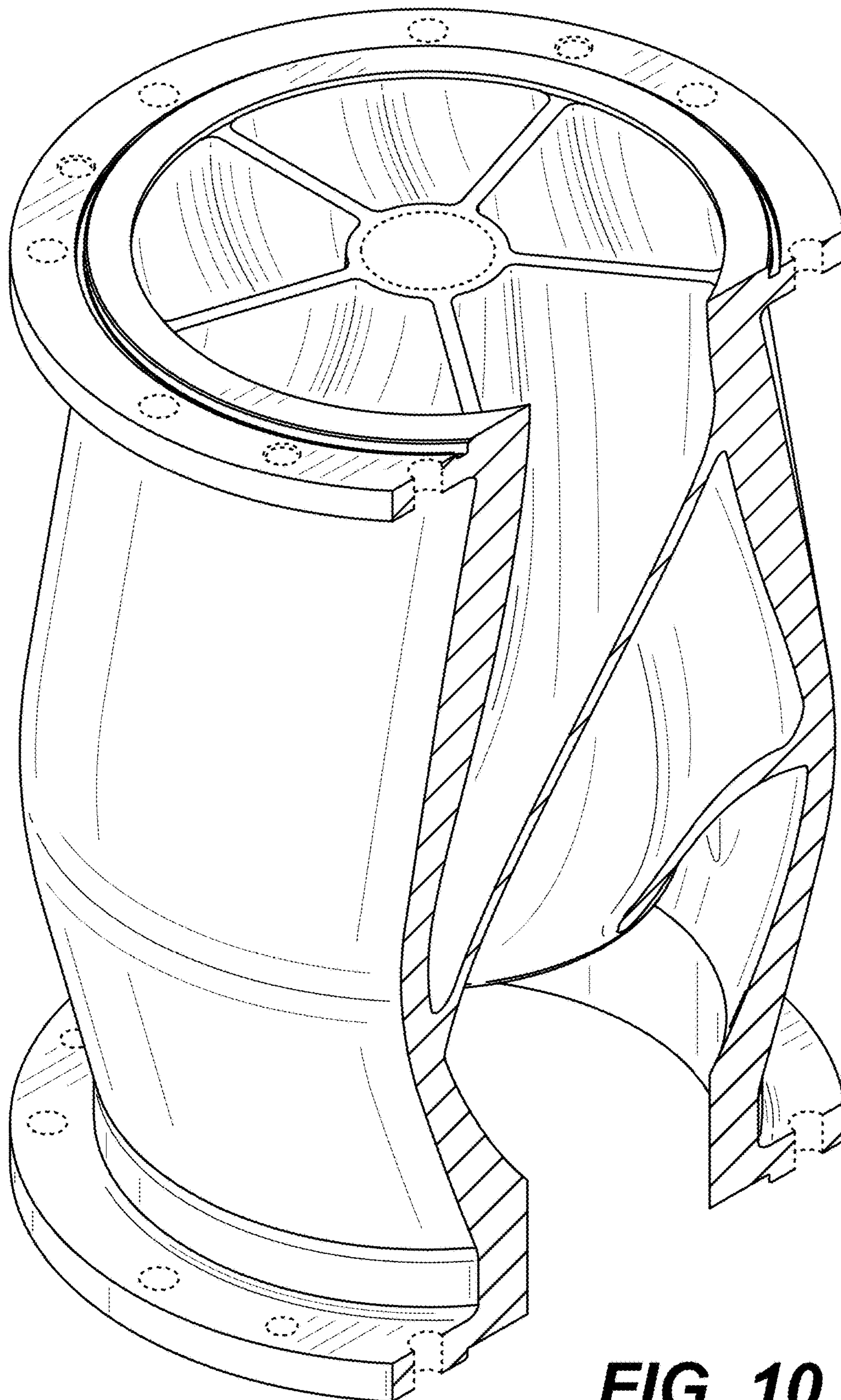


FIG. 10

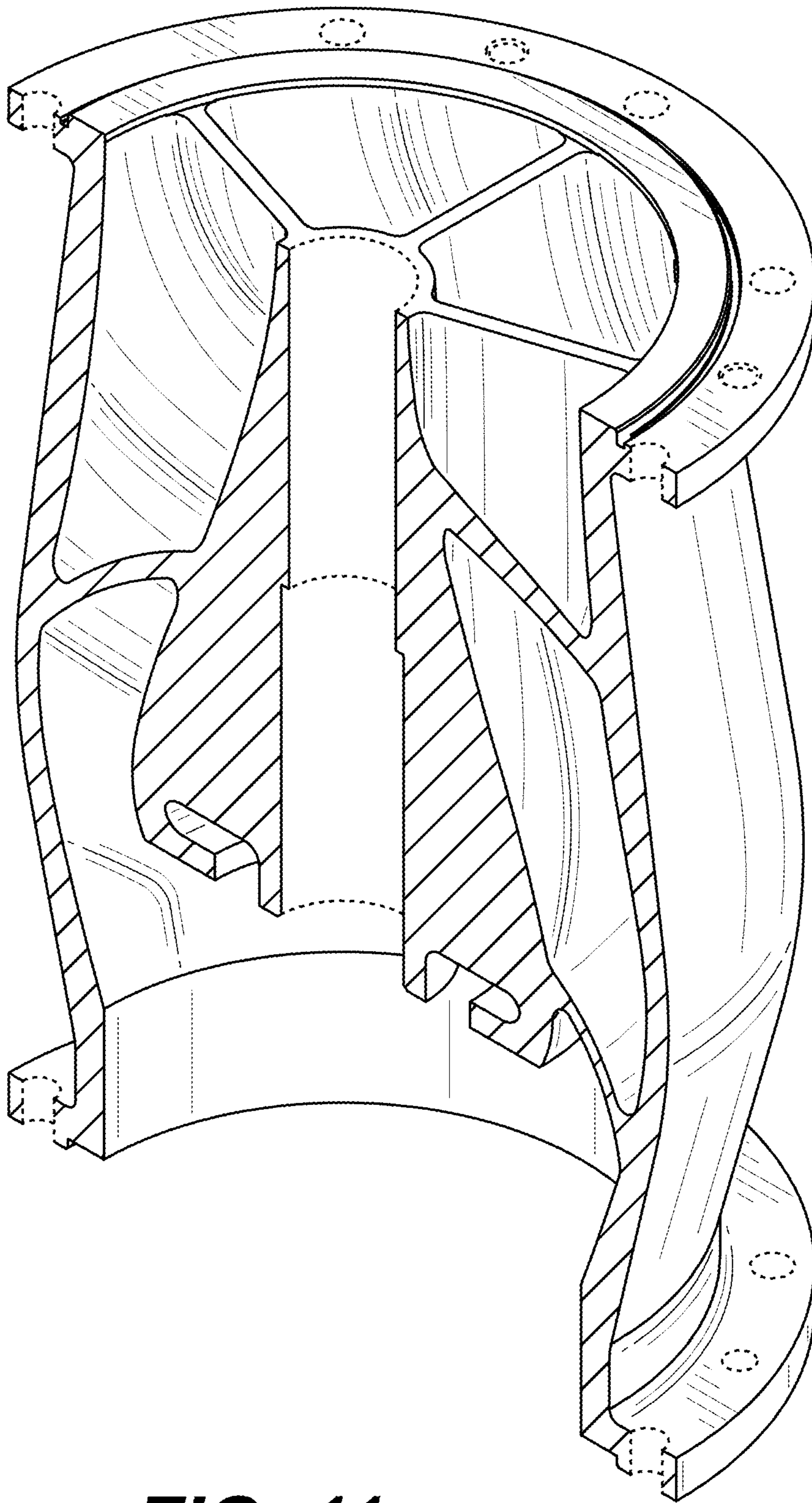


FIG. 11

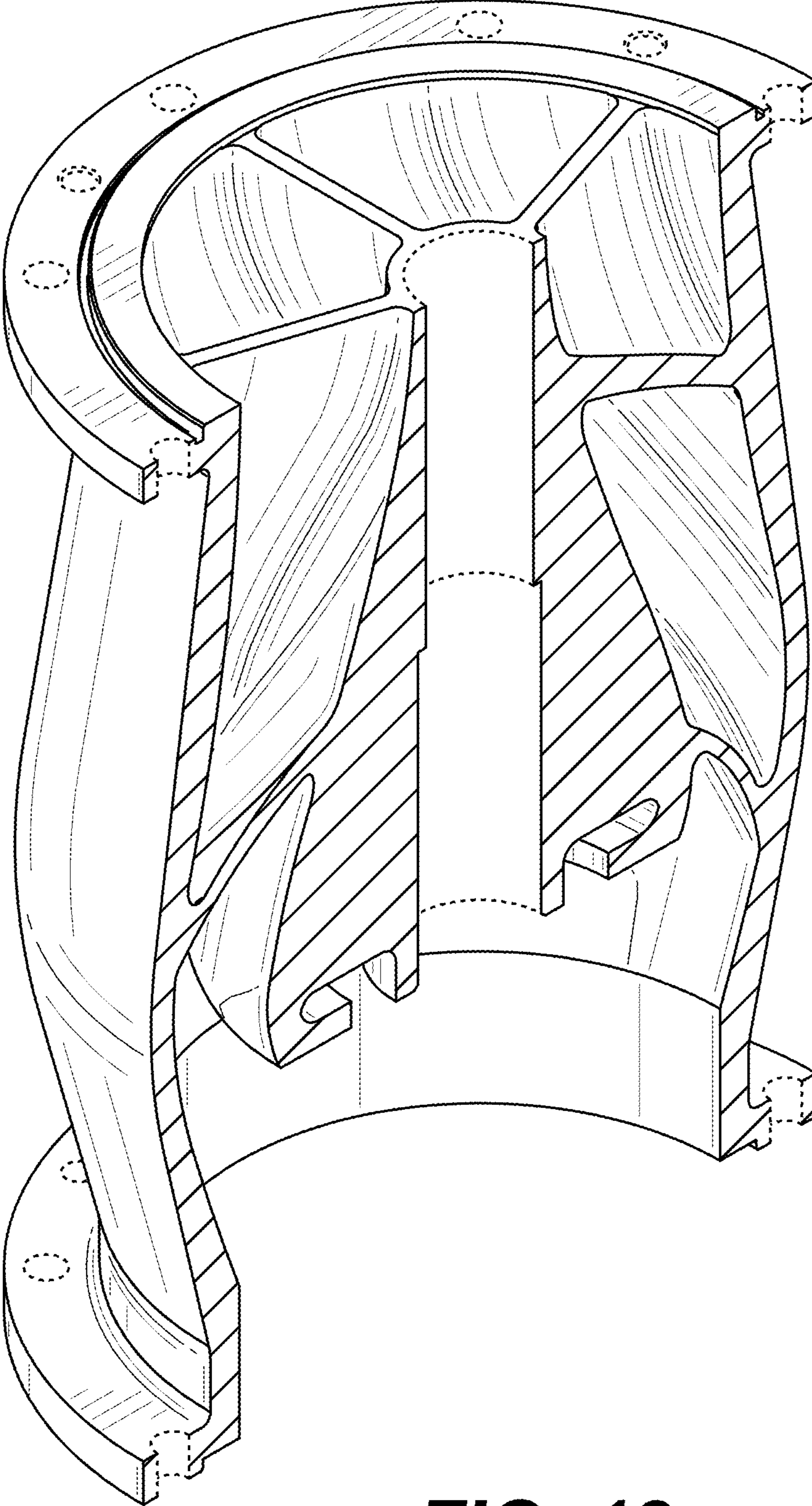


FIG. 12