



US00D831670S

(12) **United States Design Patent**
Shim

(10) **Patent No.:** **US D831,670 S**
(45) **Date of Patent:** **** Oct. 23, 2018**

(54) **HANDHELD STORAGE DEVICE**

D767,580 S * 9/2016 Billington D14/480.5
D771,636 S * 11/2016 Shim D14/480.1
D798,308 S * 9/2017 Tzeng D14/480.5

(71) Applicant: **SAMSUNG ELECTRONICS CO., LTD.**, Suwon-si (KR)

* cited by examiner

(72) Inventor: **Hyung Sup Shim**, Seoul (KR)

Primary Examiner — Angela J Lee

(73) Assignee: **SAMSUNG ELECTRONICS CO., LTD.**, Suwon-si (KR)

(74) *Attorney, Agent, or Firm* — Sughrue Mion, PLLC

(**) Term: **15 Years**

(57) **CLAIM**

(21) Appl. No.: **29/601,521**

The ornamental design for a handheld storage device, as shown and described.

(22) Filed: **Apr. 24, 2017**

DESCRIPTION

(30) **Foreign Application Priority Data**

Nov. 11, 2016 (KR) 30-2016-0054475

(51) **LOC (11) Cl.** **14-02**

(52) **U.S. Cl.**
USPC **D14/480.5**

(58) **Field of Classification Search**
USPC D14/435.1, 480.1–480.7, 411, 433, 436,
D14/484.1, 137, 155, 203.1–203.8, 240,
D14/242; D13/133, 154
See application file for complete search history.

FIG. 1 is a perspective view illustrating my design for a handheld storage device.

FIG. 2 is a front view thereof.

FIG. 3 is a rear view thereof.

FIG. 4 is a left side view thereof.

FIG. 5 is a right side view thereof.

FIG. 6 is a top plan view thereof.

FIG. 7 is a bottom plan view thereof.

FIG. 8 is a perspective view illustrating a portion of the handheld storage device shown without a cover for clarity of illustration.

FIG. 9 is a front view thereof.

FIG. 10 is a rear view thereof.

FIG. 11 is a left side view thereof.

FIG. 12 is a right side view thereof.

FIG. 13 is a top plan view thereof.

FIG. 14 is a bottom plan view thereof; and,

FIG. 15 is a perspective view showing my design for a handheld storage device shown with the cover removed from the device for clarity of illustration.

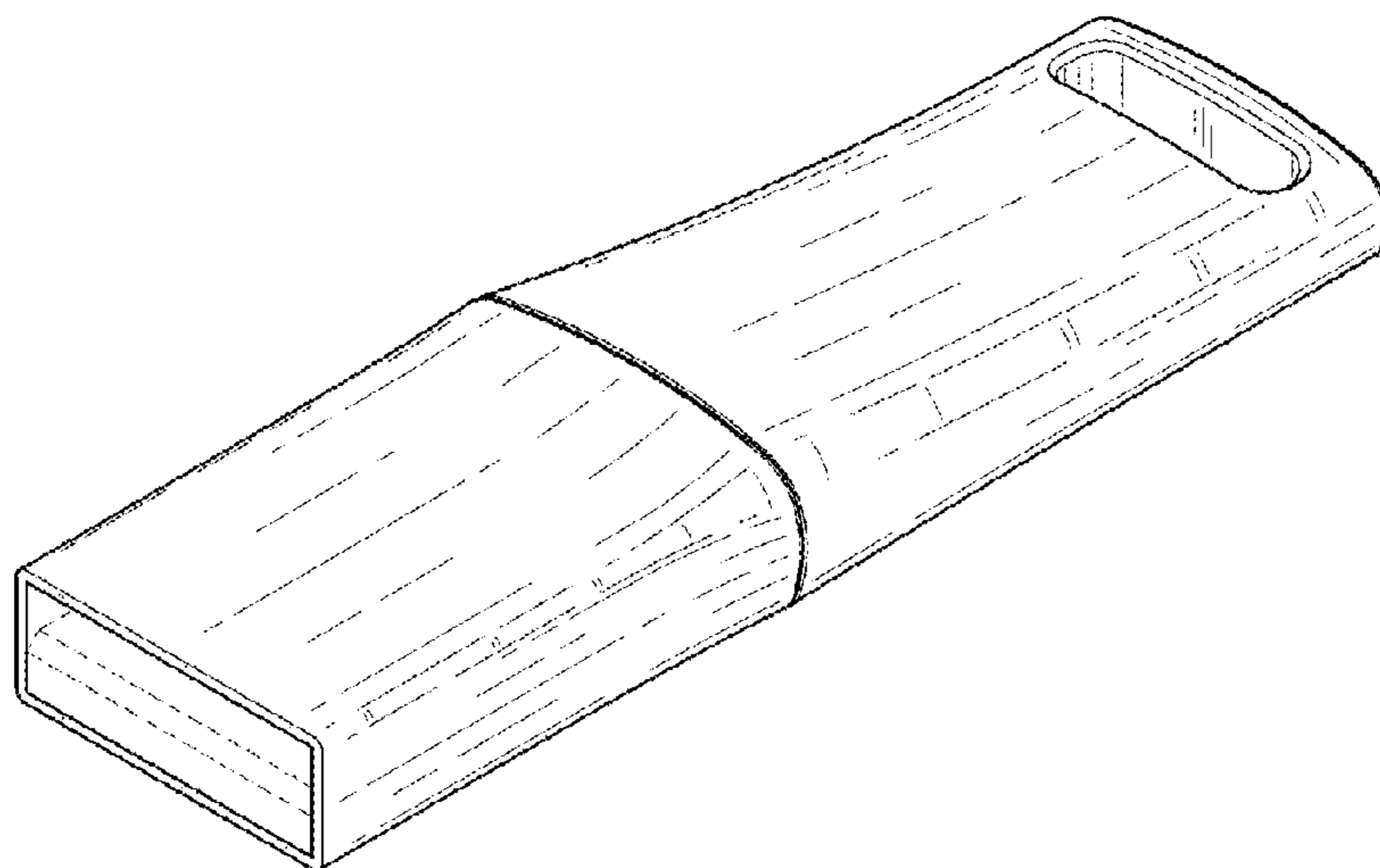
The broken lines are for illustrative purpose only and form no part of the claimed design.

(56) **References Cited**

U.S. PATENT DOCUMENTS

D554,119 S * 10/2007 Otsuka D14/480.5
D556,752 S * 12/2007 Otsuka D14/480.5
D583,374 S * 12/2008 Otsuka D14/480.5
D623,192 S * 9/2010 Peng D14/480.6
D648,730 S * 11/2011 Huang D14/480.5
D671,123 S * 11/2012 Ni D14/480.1
D706,278 S * 6/2014 Fukuoka D14/480.5
D711,891 S * 8/2014 Emami D14/480.5
D754,138 S * 4/2016 Otsuka D14/480.1
D759,021 S * 6/2016 Shim D14/435.1

1 Claim, 11 Drawing Sheets



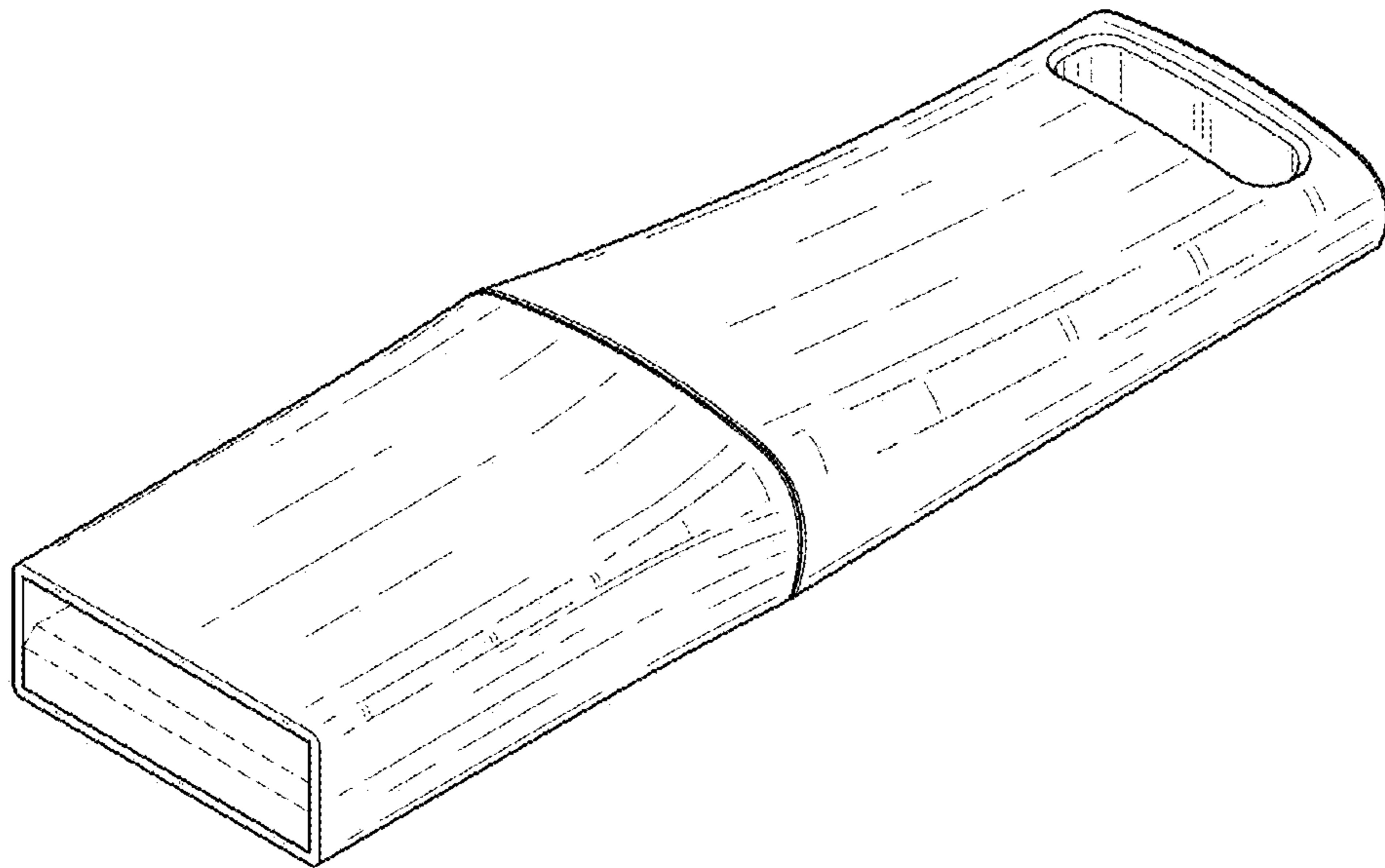


FIG. 1

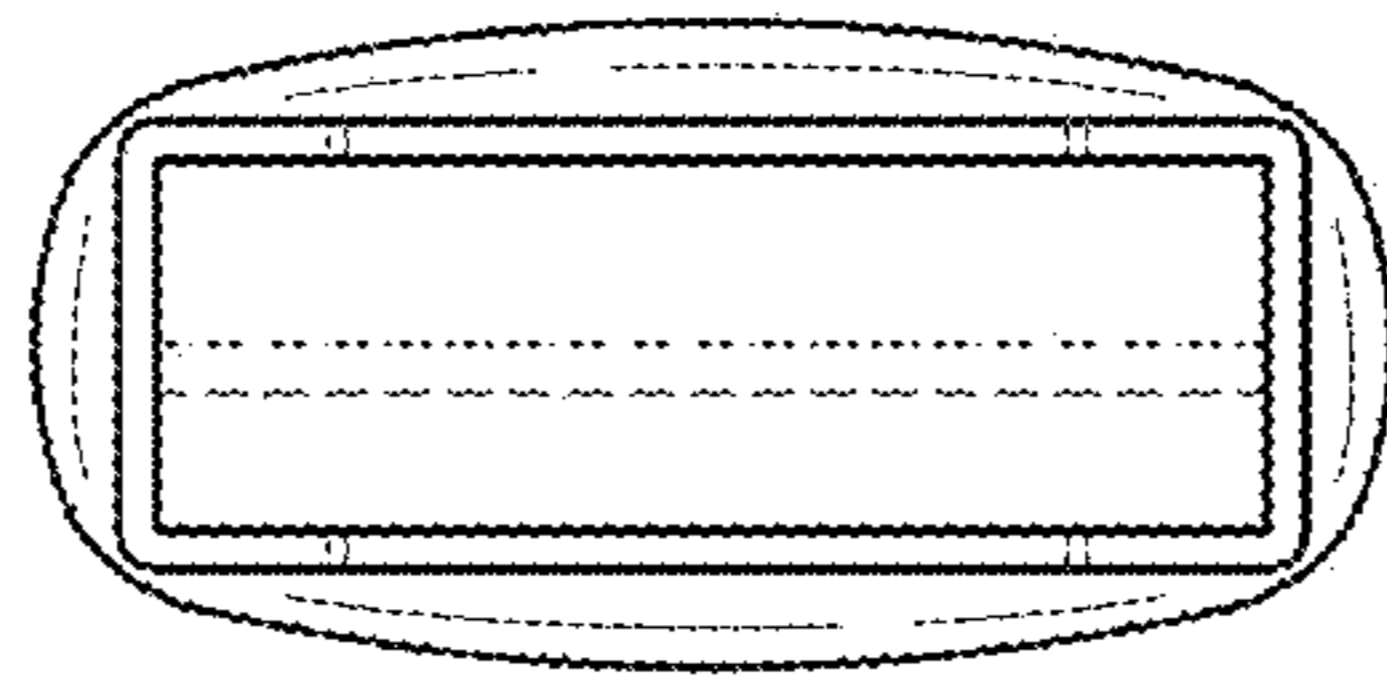


FIG. 2

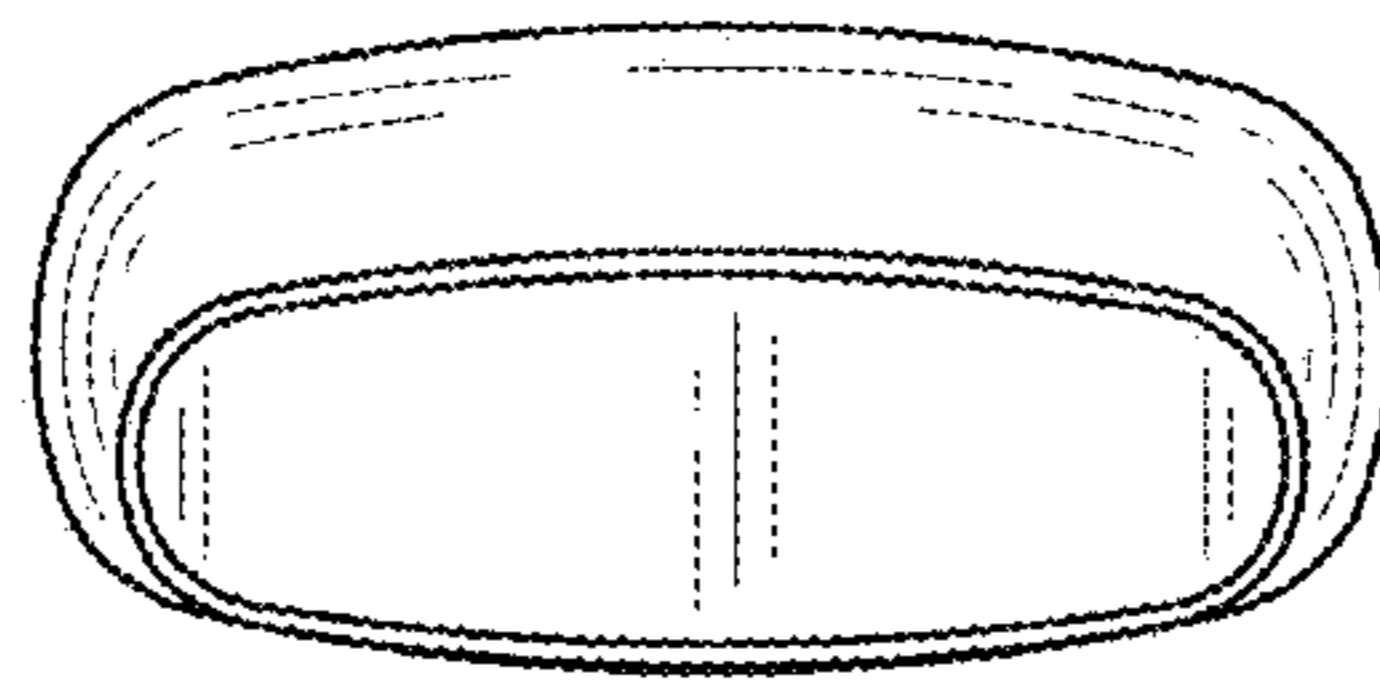


FIG. 3

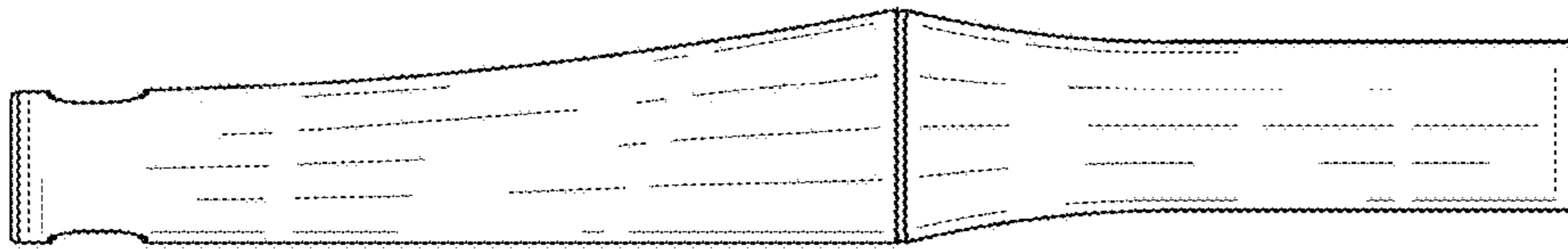


FIG. 4

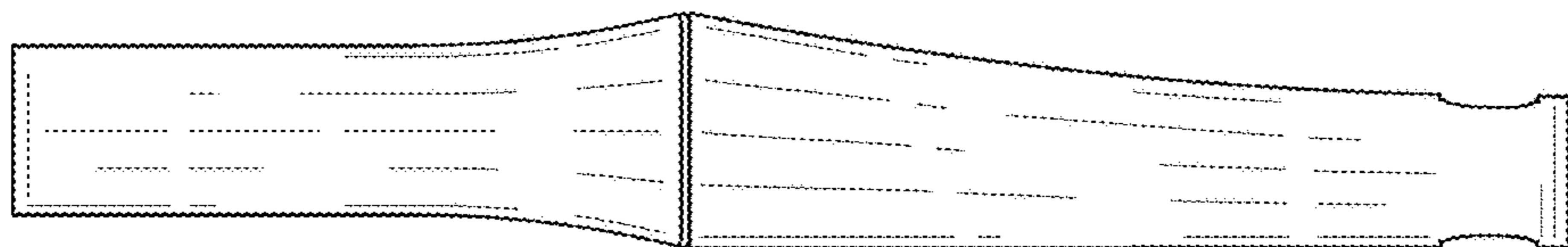


FIG. 5

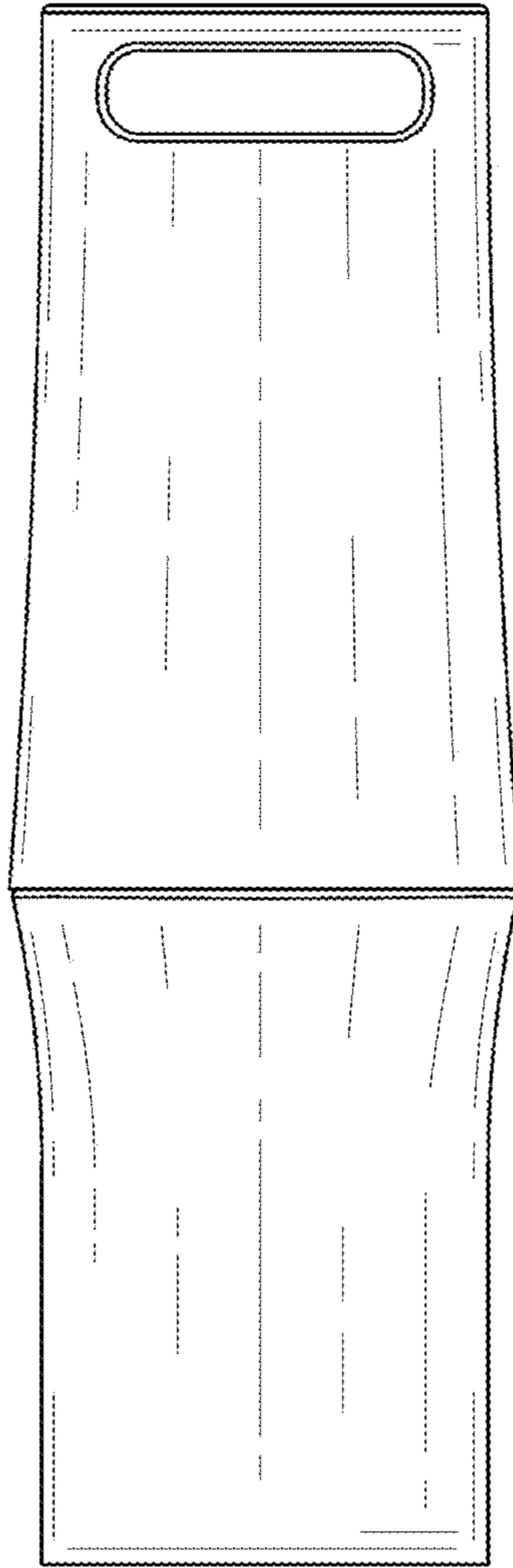


FIG. 6

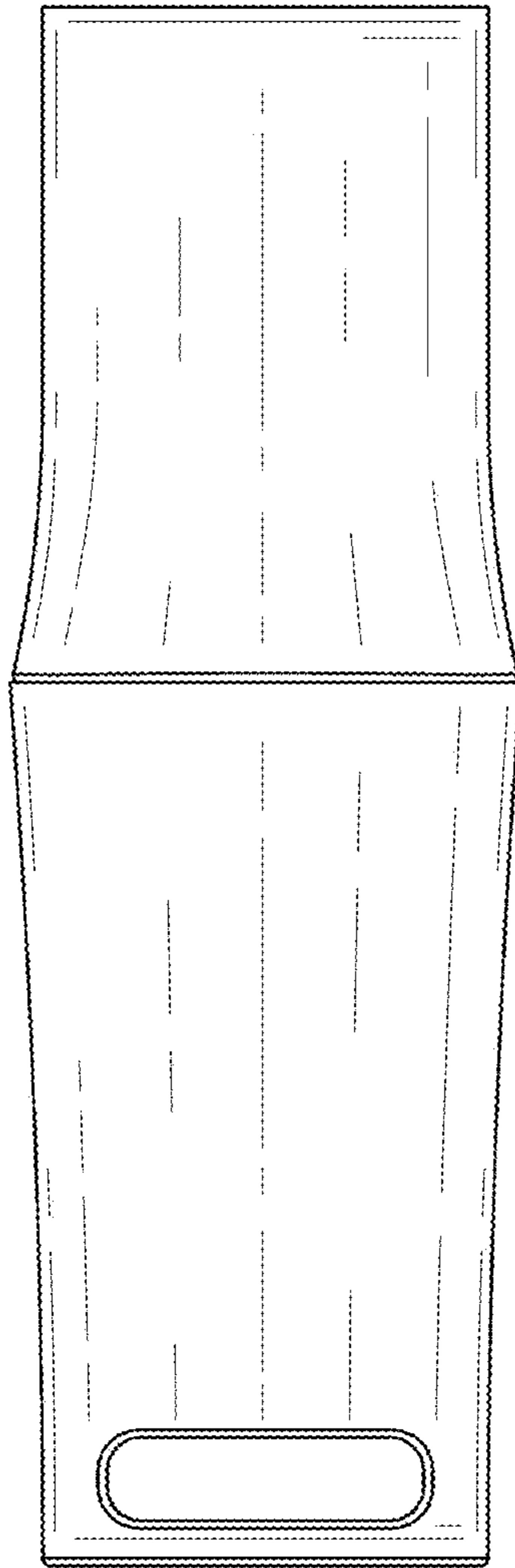


FIG. 7

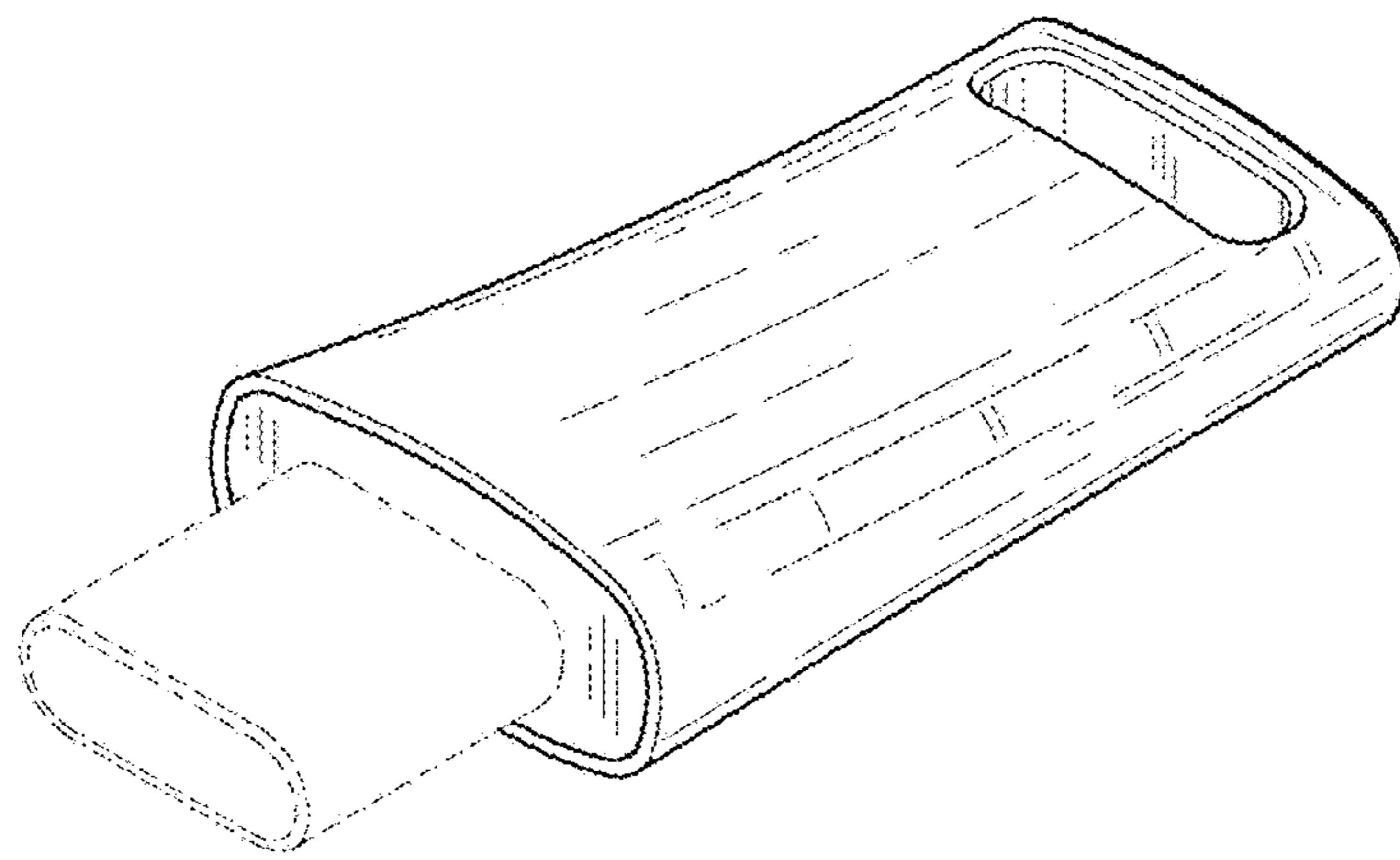


FIG. 8

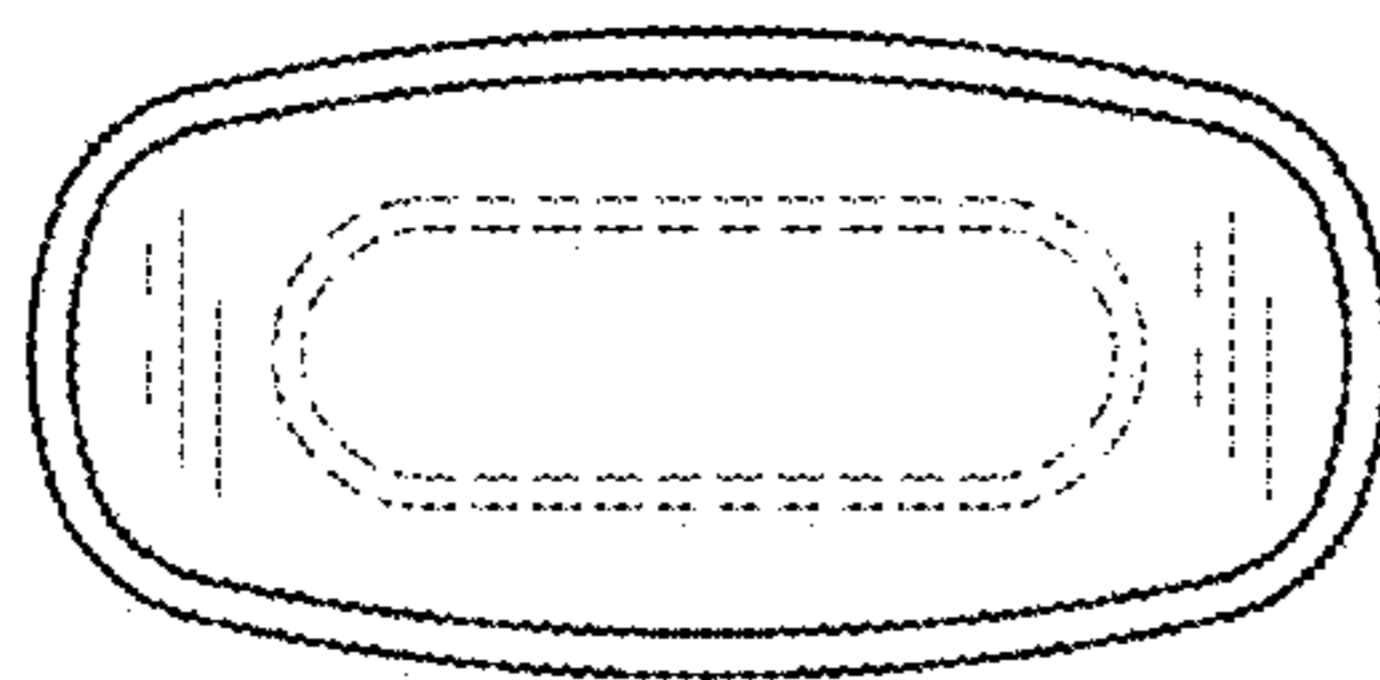


FIG. 9

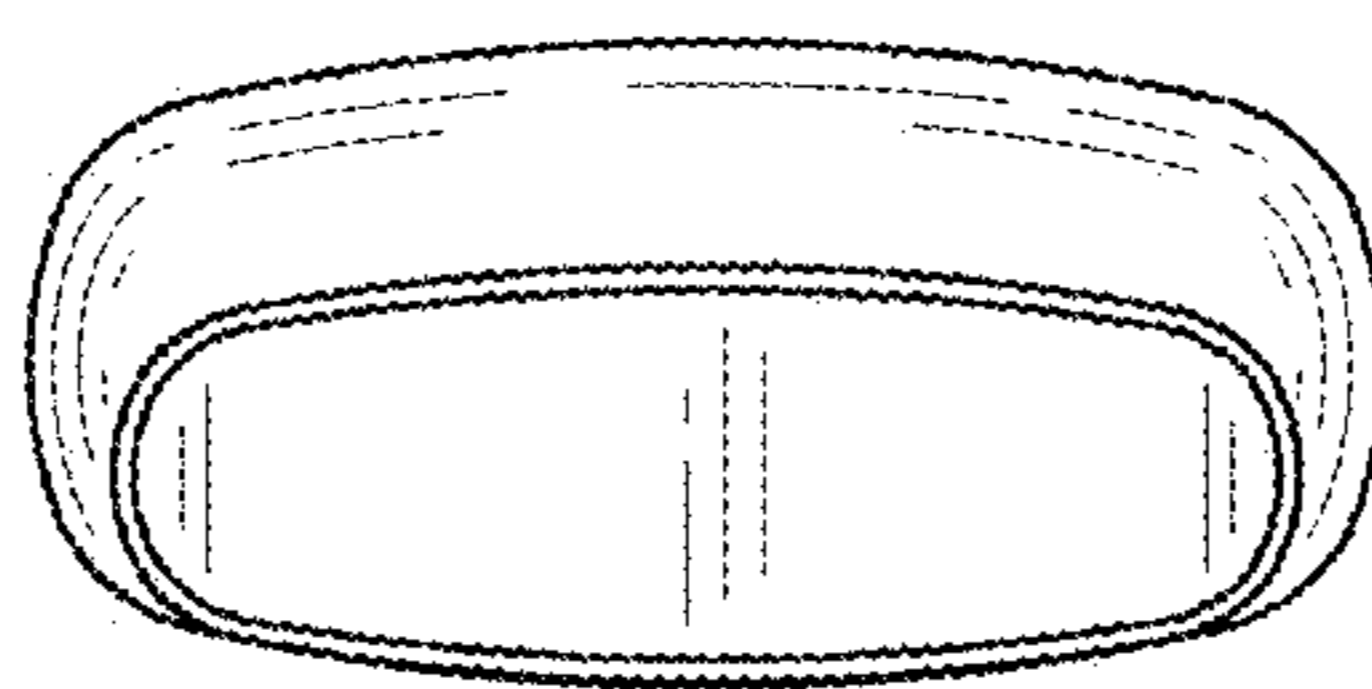


FIG. 10



FIG. 11

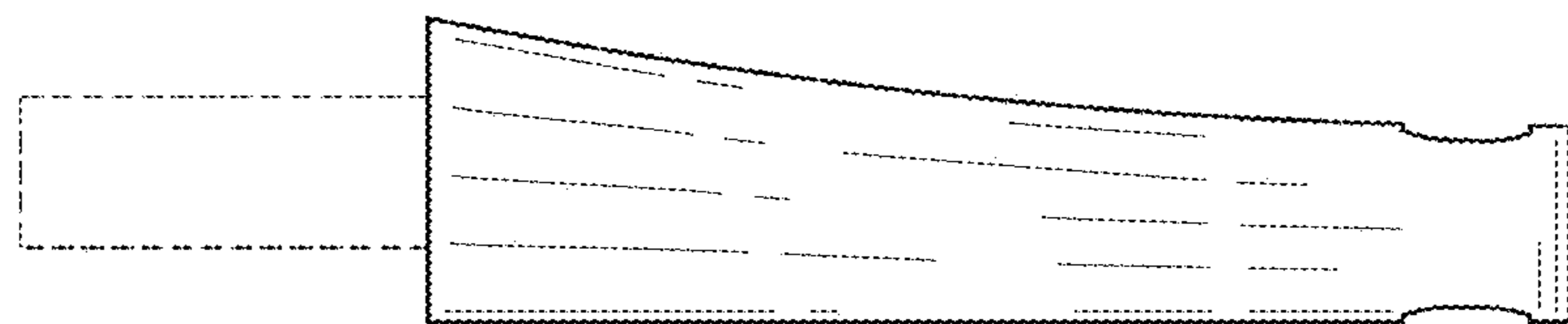


FIG. 12

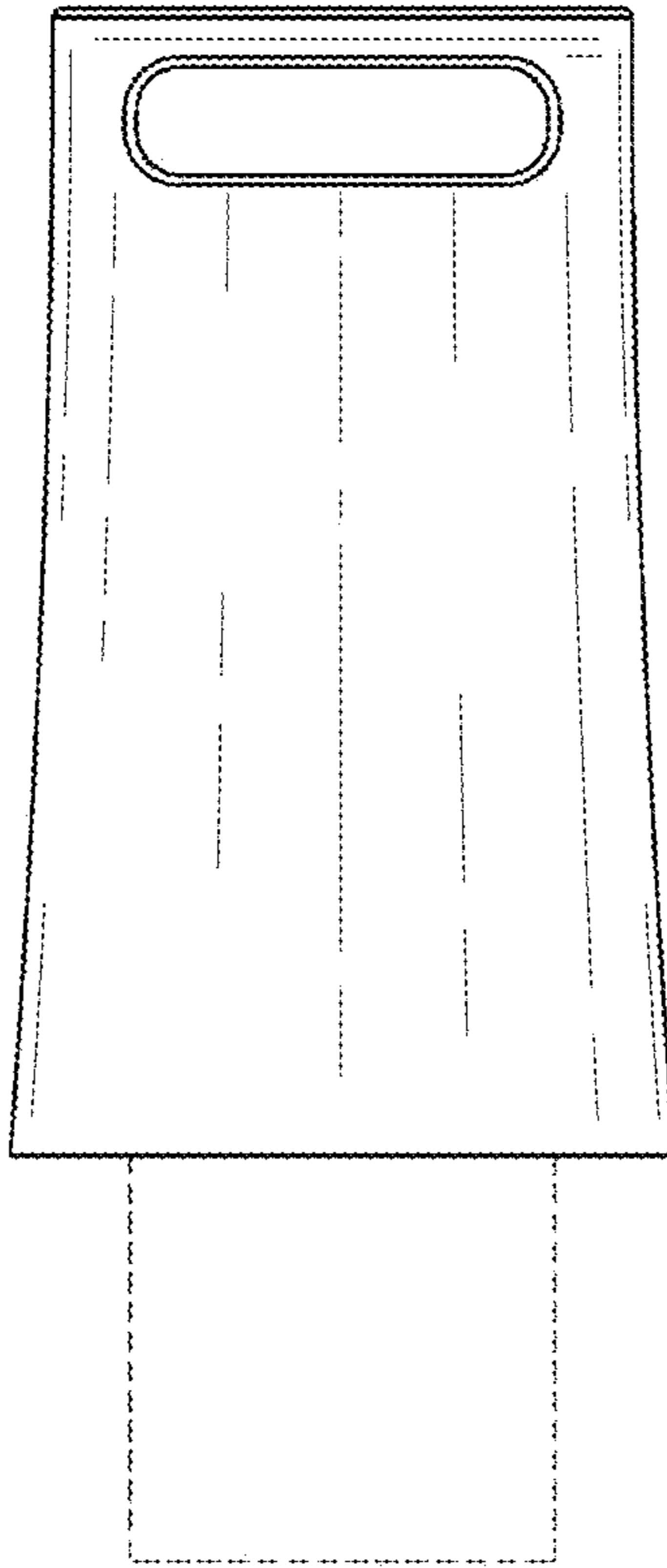


FIG. 13

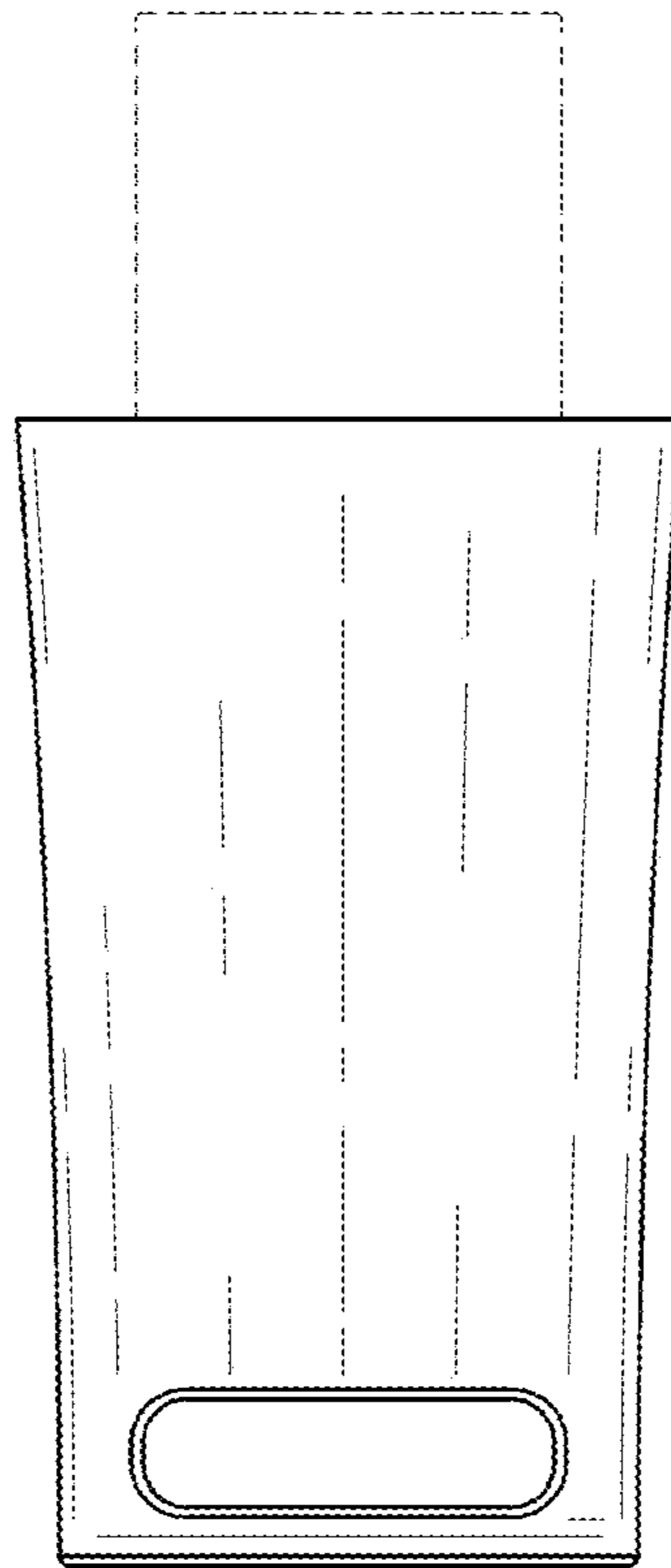


FIG. 14

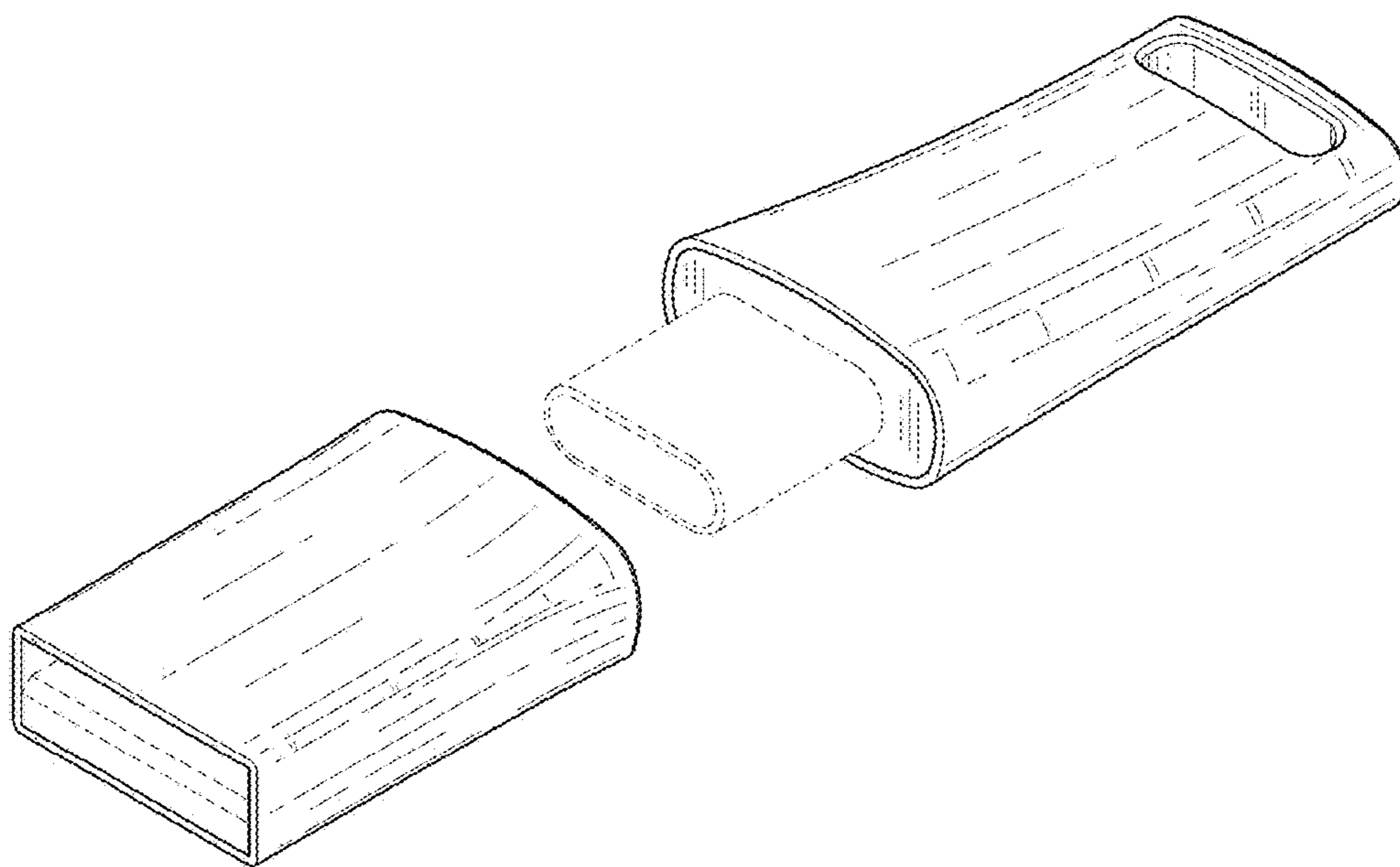


FIG. 15